



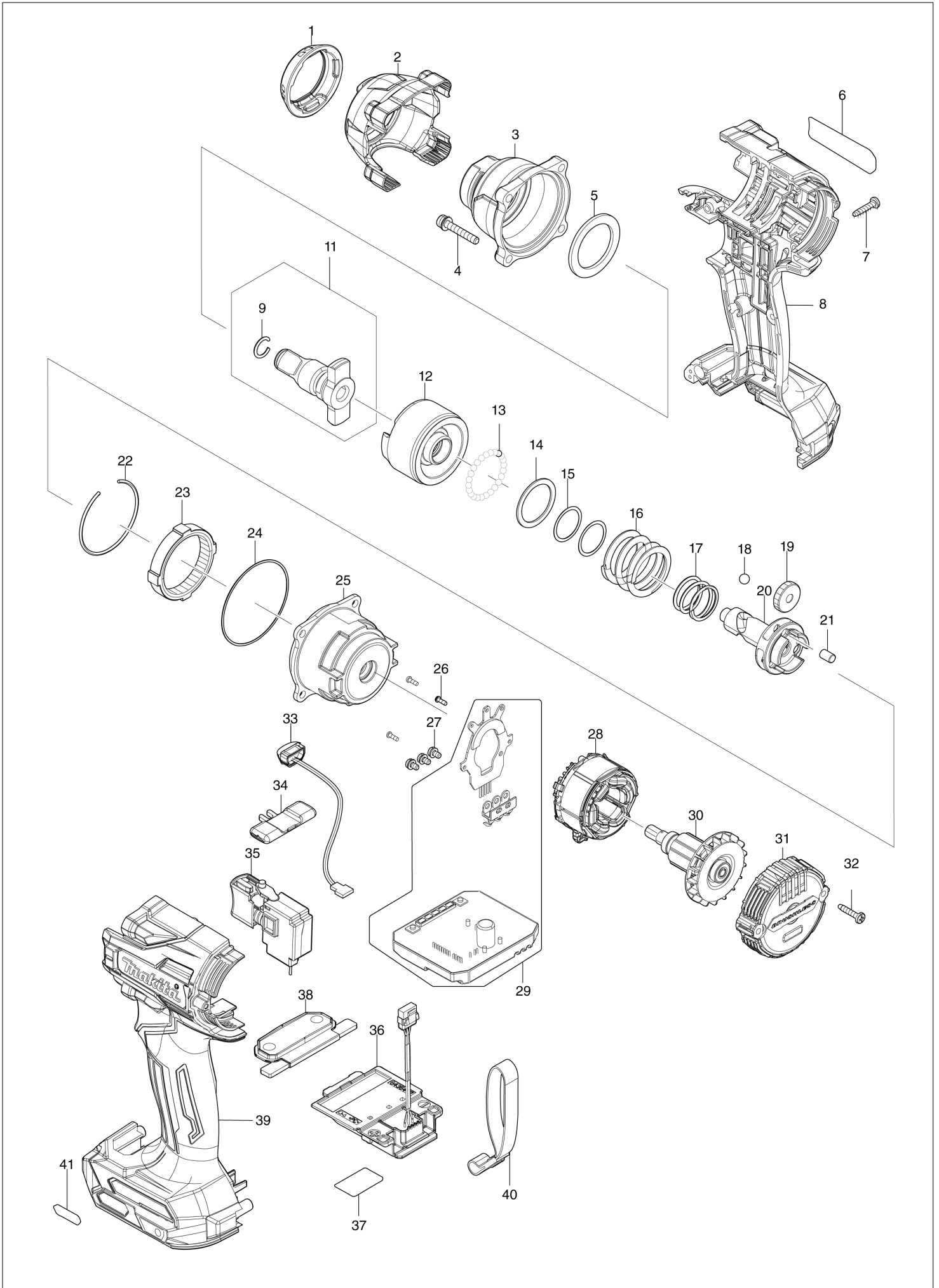
VN	VIETNAM
----	---------

Diagram / Parts List

TW004G

CORDLESS IMPACT WRENCH

(VN) TW004G / CORDLESS IMPACT WRENCH



VN	VIETNAM
-----------	----------------

TW004G / CORDLESS IMPACT WRENCH

Item	Sub	Parts No.	Parts Description	Qty	I/C	E/C No.	Close No.	Remark
001		422584-2	BUMPER	1				
002		412822-0	HAMMER CASE COVER	1				
003		140W13-8	HAMMER CASE COMPLETE	1				
004		265472-8	HEX. SOCKET HEAD BOLT M4X25	4				
005		261154-0	NYLON WASHER 28	1				
006		857P12-8	TW004G NAME PLATE	1				
007		266130-9	TAPPING SCREW BIND PT 3X16	8				
008		183R16-9	HOUSING SET	1				
	C10	263005-3	RUBBER PIN 6	2				
	C20	263032-0	RUBBER PIN 4	2				
	C30	252126-6	HEX. LOCK NUT M4-7	2				
	D10		INC. 39					
009		231907-1	RING SPRING 10	1				
011		136272-2	ANVIL E ASS'Y	1			D6078	
	D10		INC. 9				D6078	
011-1		136357-4	ANVIL E ASS'Y	1	<	D6078		
	D10		INC. 9			D6078		
012		327648-6	HAMMER	1				
013		216001-0	STEEL BALL 3.5	24				
014		267175-0	FLAT WASHER 24	1				
015		253343-1	THIN WASHER 18	2			D6078	
015-1		267106-9	FLAT WASHER 18	1	<	D6078		
016		232615-7	COMPRESSION SPRING 25	1				
017		232637-7	COMPRESSION SPRING 18	1			D6078	
017-1		232682-2	COMPRESSION SPRING 18	1	<	D6078		
018		216011-7	STEEL BALL 5.6	2				
019		227338-0	SPUR GEAR 22	3				
020		327573-1	SPINDLE	1			D6078	
020-1		327689-2	SPINDLE	1	<	D6078		
021		268311-1	PIN 5	3				
022		233910-8	RING SPRING 43	1				
023		227337-2	INTERNAL GEAR 51	1				
024		213785-1	O-RING 49	1				
025		140W14-6	INTERNAL GEAR CASE COMPLETE	1				
026		266490-9	TAPPING SCREW PT 2X6	3				
027		652069-6	FLAT HEAD SCREW M3X6	3				
028		629A13-4	STATOR	1				
029		620D69-8	CONTROLLER	1				
030		619626-3	ROTOR	1				
031		412821-2	REAR COVER	1				
032		266130-9	TAPPING SCREW BIND PT 3X16	2				
033		620521-2	LED CIRCUIT	1				
034		455053-8	F/R CHANGE LEVER	1				
035		651442-7	SWITCH C3JR-1A-1	1				
036		632P49-4	TERMINAL UNIT	1				
037		857P18-6	TW004G SERIAL NO. LABEL	1				
038		140W19-6	SWITCH PLATE COMPLETE	1				
	C10	8020J3-8	SWITCH LABEL	1				
039		183R16-9	HOUSING SET	1				
	C10	263005-3	RUBBER PIN 6	2				
	C20	263032-0	RUBBER PIN 4	2				
	C30	252126-6	HEX. LOCK NUT M4-7	2				
	D10		INC. 8					
040		163400-6	HANDSTRAP	1				
041		8007R2-2	XGT LOGO LABEL	1				
A01		266622-8	+ TRUSS HEAD SCREW M4X12	1				
A02		346317-0	HOOK	1				
A03B		412393-7	BATTERY COVER	1				
A04B		191B36-3	BATTERY BL4025 SET	2				
A05B		***DC40RA	DC40RA FAST CHARGER	1				
	D10		COMPO-PARTS					
A06B		821550-0	CONNECTOR PLASTIC CASE (TYPE2)	1				
	C10	453974-8	LATCH	4				
A07B		8021N4-0	TW004GD201 PLASTIC CASE LABEL	2				
A08B		8021N3-2	TW004GD201 INDICATION LABEL	1				

B:

Interchange
O : Yes
X : No
< : the new part can be substituted for the current.
> : the current part can be substituted for the new.
S : Interchangeable as a set.

