



VN	VIETNAM
----	---------

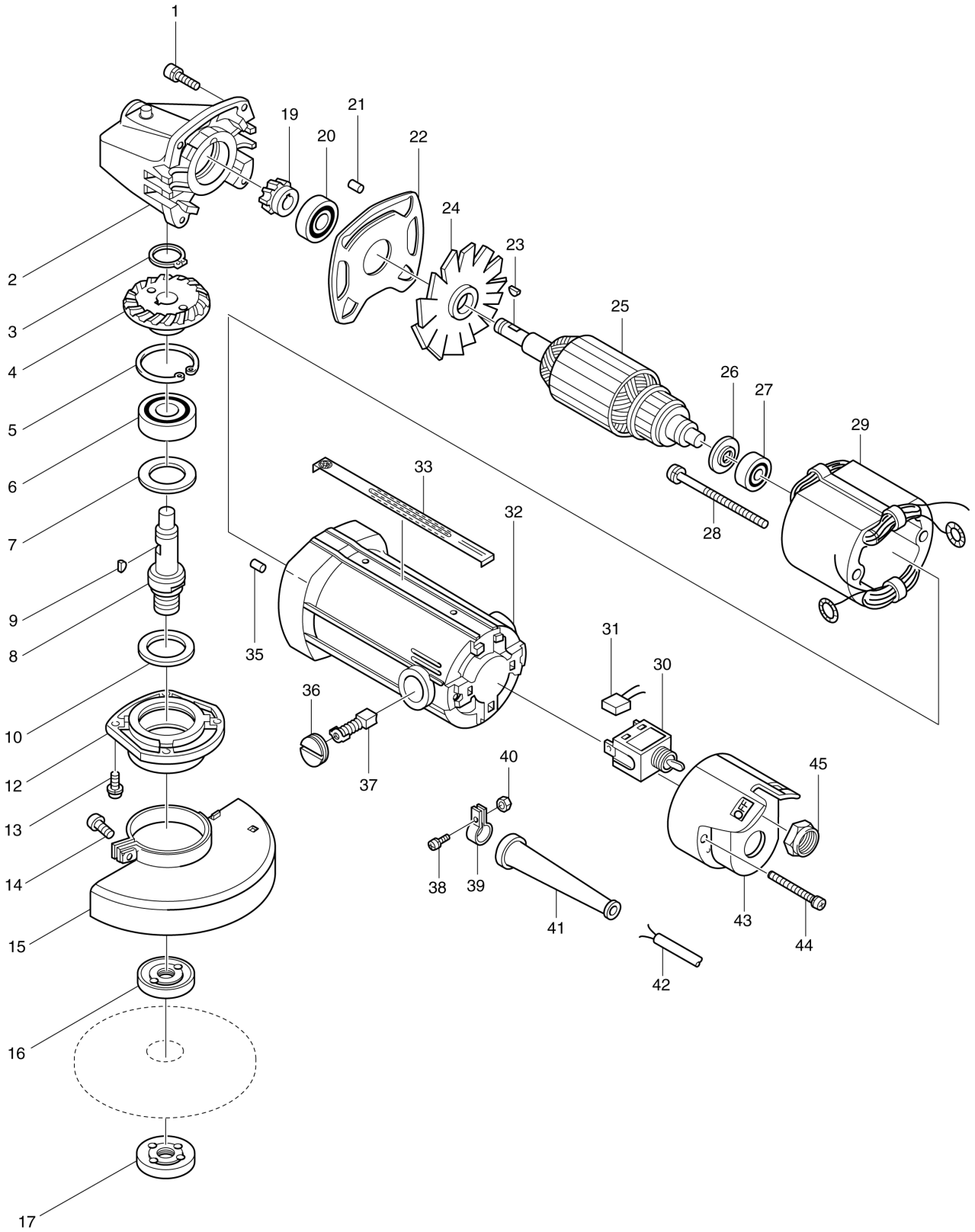
# Diagram / Parts List

**N9500N**

**DISC GRINDER 100MM**



(VN) N9500N / DISC GRINDER 100MM



<b>VN</b>	<b>VIETNAM</b>
-----------	----------------

### N9500N / DISC GRINDER 100MM

Item	Sub	Parts No.	Parts Description	Qty	I/C	E/C No.	Close No.	Remark
001		911136-9	PAN HEAD SCREW M4X20	4				
002		156448-5	GEAR HOUSING	1				
	D10		INC. 21					
003		961052-5	RETAINING RING S-12	1			64546	
004		221319-6	SPIRAL BEVEL GEAR 35	1			64546	
004-1		227424-7	SPIRAL BEVEL GEAR 35	1	X	64546		
005		962151-6	RETAINING RING R-32	1				
006-1		211106-1	BALL BEARING 6201LLB	1				
007		253055-6	FLAT WASHER 12	1				
008		325585-8	SPINDLE	1			64546	
008-1		324245-9	SPINDLE	1	>	64546		
009		254002-0	WOODRUFF KEY 3	1			64546	
010		443034-4	FELT RING 18	1				
012-1		312998-2	BEARING BOX	1				
013		911121-2	PAN HEAD SCREW M4X14	4				
014		911216-1	PAN HEAD SCREW M5X14	1			73148	
014-1		251391-4	PAN HEAD SCREW M5X16	1	O	73148		
015		133496-1	WHEEL COVER 100	1			73148	
	D10		INC. 14				73148	
015-1		154755-0	WHEEL COVER COMPLETE	1	O	73148		
	D10		INC. 14			73148		
016-2		224270-9	INNER FLANGE 30	1				
017-1		224503-2	LOCK NUT 10-30	1			78784	
017-2		224578-1	LOCK NUT 10-30	1	O	78784		
019		221318-8	SPIRAL BEVEL GEAR 14	1				
020-2		211088-7	BALL BEARING 6000DDW	1				
021		263002-9	RUBBER PIN 4	1				
022		341398-9	PLATE	1				
023		254002-0	WOODRUFF KEY 3	1				
024-1		241509-5	FAN 60	1				
025C2		511923-2	ARMATURE ASS'Y 220V	1				220V
	D10		INC. 24,26,27					
026		213001-1	DUST SEAL 7	1				
027		211028-5	BALL BEARING 627LB	1				
028-4		911596-5	PAN HEAD SCREW M4X70	2				
029C2		593153-7	FIELD ASS'Y 220V	1				220V
	C10	654100-4	RING TERMINAL	2				
	C21	654501-6	CONNECTOR P-1.25	2				
030		651403-7	SWITCH ST115A-31	1			85338	
030-1		651433-8	SWITCH ST115A-31	1	<	85338		
032-2		159279-1	MOTOR HOUSING	1				
	C10	643917-0	BRUSH HOLDER	2				
	D10		INC. 35					
032-3		159278-3	MOTOR HOUSING COMPLETE	1	O	56620		
	C10	643932-4	BRUSH HOLDER 6X9	2				
	D10		INC. 35					
033		815111-6	NAME PLATE 9500N	1				
035		263002-9	RUBBER PIN 4	1				
036		643550-8	BRUSH HOLDER CAP 5-8	2				
037B		191940-4	CARBON BRUSH CB-411	1			85070	
037B1		B-80391	CARBON BRUSH SET CB-411A	1	<	85070		
038		911111-5	PAN HEAD SCREW M4X10 WITH W	1				
039		687611-4	STRAIN RELIEF	1				
040		931102-0	HEX. NUT M4	1				
041		682505-8	CORD GUARD 10-90	1				
042P1		691134-6	POWER SUPPLY CORD 0.75-3-2.5	1				
043		312999-0	REAR COVER	1				
044		911256-9	PAN HEAD SCREW M5X35	2				
045		652102-4	HEX. NUT M12	1				
407		782401-1	LOCK NUT WRENCH 20	1				

Interchange  
O : Yes  
X : No  
< : the new part can be substituted for the current.  
> : the current part can be substituted for the new.  
S : Interchangeable as a set.