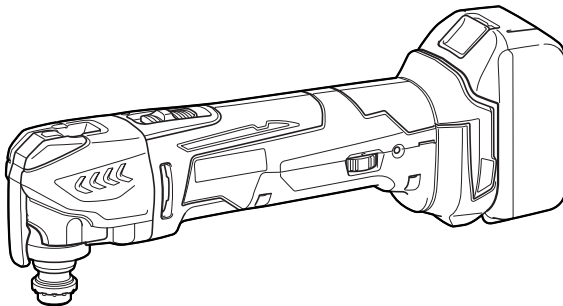




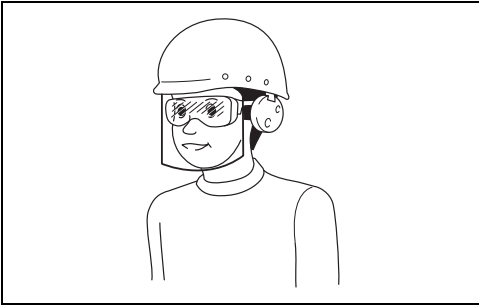
<b>EN</b>	Cordless Multi Tool	Instruction manual
<b>ZHCN</b>	充电式多功能切割打磨机	使用说明书
<b>ID</b>	Mesin Multifungsi Nirkabel	Petunjuk penggunaan
<b>VI</b>	Máy Đa Năng Cầm Tay Hoạt Động Bằng Pin	Tài liệu hướng dẫn
<b>TH</b>	เครื่องมืออเนกประสงค์แบบไร้สาย	คู่มือการใช้งาน

**DTM41**  
**DTM51**



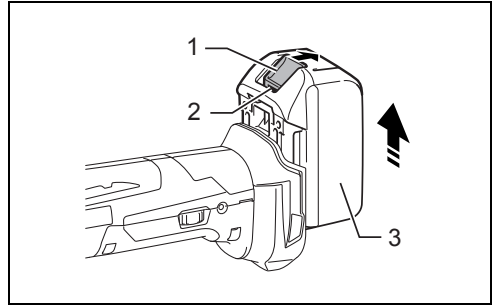
014551





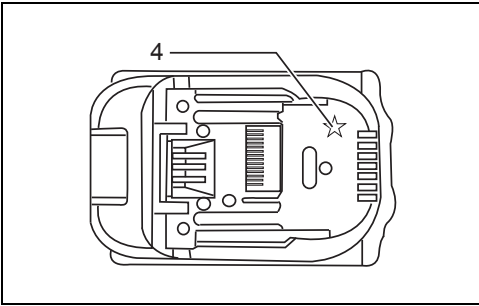
1

000114



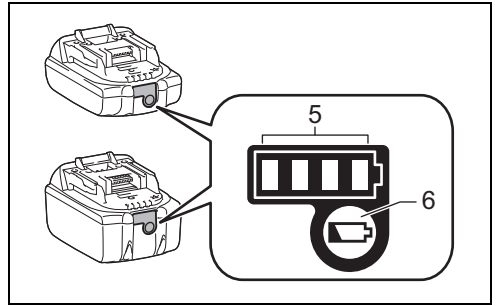
2

014552



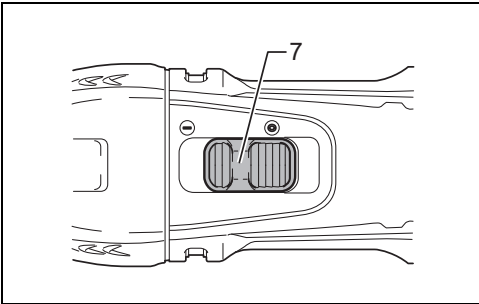
3

012128



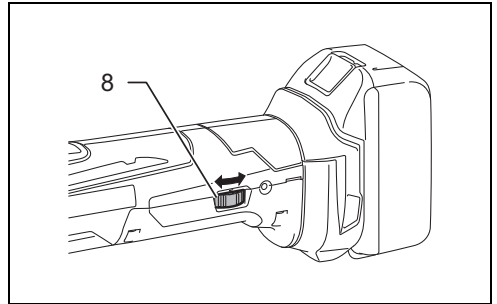
4

015659



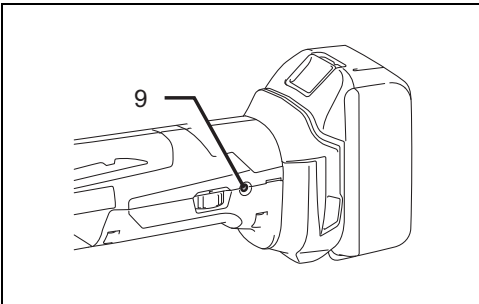
5

014556



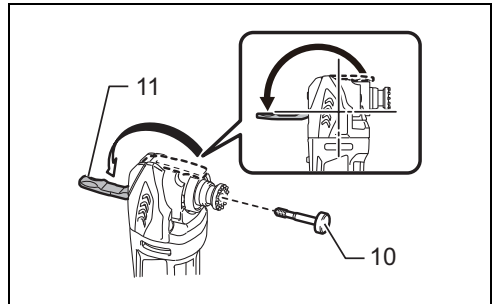
6

014557



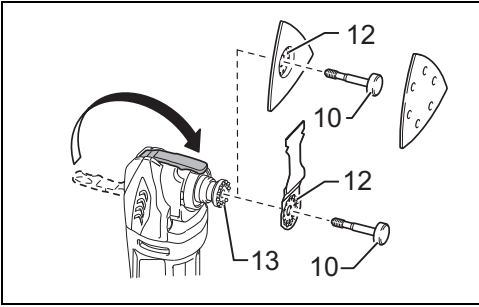
7

014558



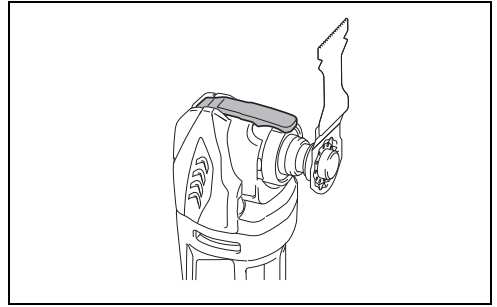
8

014555



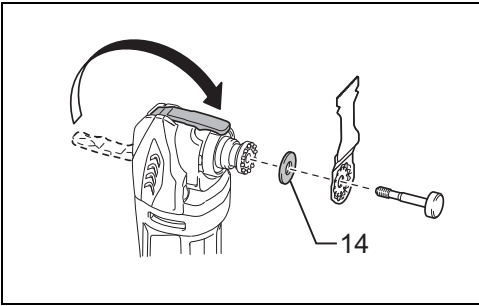
9

014553



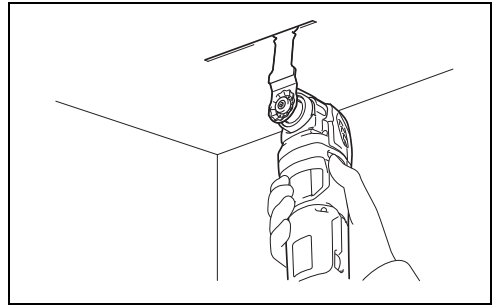
10

014564



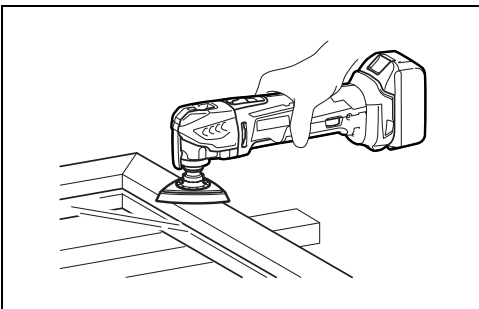
11

014554



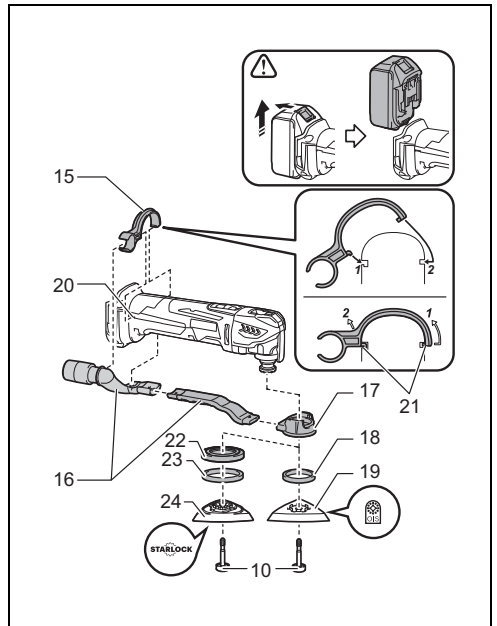
12

014559



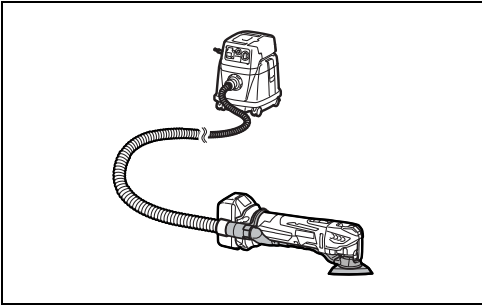
13

014560



14

014561



15

014562

## ENGLISH (Original instructions)

### Explanation of general view

- |                      |                                    |                                    |
|----------------------|------------------------------------|------------------------------------|
| 1. Button            | 9. Indication lamp                 | 17. Dust attachment                |
| 2. Red indicator     | 10. Holder bolt                    | 18. Felt ring (ø 37 mm)            |
| 3. Battery cartridge | 11. Lock lever                     | 19. Pad (with OIS marking)         |
| 4. Star marking      | 12. Holes in the application tool  | 20. Holes in the tool              |
| 5. Indicator lamps   | 13. Protrusions of the tool flange | 21. Protrusions on the nozzle band |
| 6. Check button      | 14. Adapter                        | 22. Spacer                         |
| 7. Slide switch      | 15. Nozzle band                    | 23. Felt ring (ø 47 mm)            |
| 8. Dial              | 16. Dust nozzle                    | 24. Pad (with STARLOCK marking)    |

## SPECIFICATIONS

Model	DTM41	DTM51
Oscillation per minute	6,000 - 20,000 (min <sup>-1</sup> )	
Oscillation angle, left/right	1.6° (3.2° total)	
Overall length	326 - 340 mm	
Net weight	1.9 - 2.3 kg	2.0 - 2.4 kg
Rated voltage	D.C. 14.4 V	D.C. 18 V

- Due to our continuing program of research and development, the specifications herein are subject to change without notice.
- Specifications may differ from country to country.
- The weight may differ depending on the attachment(s), including the battery cartridge. The lightest and heaviest combination, according to EPTA-Procedure 01/2014, are shown in the table.

## Applicable battery cartridge and charger

Battery cartridge	D.C. 14.4 V Model	BL1415N/BL1430/BL1430B/BL1440/BL1450/BL1460B
	D.C. 18 V Model	BL1815N/BL1820/BL1820B/BL1830/BL1830B/BL1840/BL1840B/BL1850/BL1850B/BL1860B
Charger	DC18RC/DC18RD/DC18RE/DC18SD/DC18SE/DC18SF	

- Some of the battery cartridges and chargers listed above may not be available depending on your region of residence.

### WARNING:

- **Only use the battery cartridges and chargers listed above.** Use of any other battery cartridges and chargers may cause injury and/or fire.

### Symbols

ENE221-4

The following show the symbols used for the equipment. Be sure that you understand their meaning before use.



..... Read instruction manual.



..... Wear safety glasses.

### Intended use

ENE080-1

The tool is intended for sawing and cutting wood, plastic, gypsum, non-ferrous metals, and fastening elements (e.g. unhardened nails and staples). It is also intended for working soft wall tiles, as well as dry sanding and scraping of small surfaces. It is especially for working close to edge and flush cutting.

## GENERAL POWER TOOL SAFETY WARNINGS

GEA013-2

 **WARNING: Read all safety warnings, instructions, illustrations and specifications provided with this**

**power tool. Failure to follow all instructions listed below may result in electric shock, fire and/or serious injury.**

### Save all warnings and instructions for future reference.

The term "power tool" in the warnings refers to your mains-operated (corded) power tool or battery-operated (cordless) power tool.

#### Work area safety

1. **Keep work area clean and well lit.** Cluttered or dark areas invite accidents.
2. **Do not operate power tools in explosive atmospheres, such as in the presence of flammable liquids, gases or dust.** Power tools create sparks which may ignite the dust or fumes.
3. **Keep children and bystanders away while operating a power tool.** Distractions can cause you to lose control.

## Electrical Safety

1. **Power tool plugs must match the outlet. Never modify the plug in any way. Do not use any adapter plugs with earthed (grounded) power tools.** Unmodified plugs and matching outlets will reduce risk of electric shock.
2. **Avoid body contact with earthed or grounded surfaces, such as pipes, radiators, ranges and refrigerators.** There is an increased risk of electric shock if your body is earthed or grounded.
3. **Do not expose power tools to rain or wet conditions.** Water entering a power tool will increase the risk of electric shock.
4. **Do not abuse the cord. Never use the cord for carrying, pulling or unplugging the power tool. Keep cord away from heat, oil, sharp edges or moving parts.** Damaged or entangled cords increase the risk of electric shock.
5. **When operating a power tool outdoors, use an extension cord suitable for outdoor use.** Use of a cord suitable for outdoor use reduces the risk of electric shock.
6. **If operating a power tool in a damp location is unavoidable, use a residual current device (RCD) protected supply.** Use of an RCD reduces the risk of electric shock.
7. **Power tools can produce electromagnetic fields (EMF) that are not harmful to the user.** However, users of pacemakers and other similar medical devices should contact the maker of their device and/or doctor for advice before operating this power tool.

## Personal Safety

1. **Stay alert, watch what you are doing and use common sense when operating a power tool. Do not use a power tool while you are tired or under the influence of drugs, alcohol or medication.** A moment of inattention while operating power tools may result in serious personal injury.
2. **Use personal protective equipment. Always wear eye protection.** Protective equipment such as a dust mask, non-skid safety shoes, hard hat or hearing protection used for appropriate conditions will reduce personal injuries.
3. **Prevent unintentional starting. Ensure the switch is in the off-position before connecting to power source and/or battery pack, picking up or carrying the tool.** Carrying power tools with your finger on the switch or energising power tools that have the switch on invites accidents.
4. **Remove any adjusting key or wrench before turning the power tool on.** A wrench or a key left attached to a rotating part of the power tool may result in personal injury.
5. **Do not overreach. Keep proper footing and balance at all times.** This enables better control of the power tool in unexpected situations.
6. **Dress properly. Do not wear loose clothing or jewellery. Keep your hair and clothing away from moving parts.** Loose clothes, jewellery or long hair can be caught in moving parts.
7. **If devices are provided for the connection of dust extraction and collection facilities, ensure these are connected and properly used.** Use of dust collection can reduce dust-related hazards.

6

8. **Do not let familiarity gained from frequent use of tools allow you to become complacent and ignore tool safety principles.** A careless action can cause severe injury within a fraction of a second.
9. **Always wear protective goggles to protect your eyes from injury when using power tools.** The goggles must comply with ANSI Z87.1 in the USA, EN 166 in Europe, or AS/NZS 1336 in Australia/ New Zealand. In Australia/New Zealand, it is legally required to wear a face shield to protect your face, too. (Fig. 1)  
**It is an employer's responsibility to enforce the use of appropriate safety protective equipments by the tool operators and by other persons in the immediate working area.**

## Power tool use and care

1. **Do not force the power tool. Use the correct power tool for your application.** The correct power tool will do the job better and safer at the rate for which it was designed.
2. **Do not use the power tool if the switch does not turn it on and off.** Any power tool that cannot be controlled with the switch is dangerous and must be repaired.
3. **Disconnect the plug from the power source and/or remove the battery pack, if detachable, from the power tool before making any adjustments, changing accessories, or storing power tools.** Such preventive safety measures reduce the risk of starting the power tool accidentally.
4. **Store idle power tools out of the reach of children and do not allow persons unfamiliar with the power tool or these instructions to operate the power tool.** Power tools are dangerous in the hands of untrained users.
5. **Maintain power tools and accessories. Check for misalignment or binding of moving parts, breakage of parts and any other condition that may affect the power tool's operation. If damaged, have the power tool repaired before use.** Many accidents are caused by poorly maintained power tools.
6. **Keep cutting tools sharp and clean.** Properly maintained cutting tools with sharp cutting edges are less likely to bind and are easier to control.
7. **Use the power tool, accessories and tool bits etc. in accordance with these instructions, taking into account the working conditions and the work to be performed.** Use of the power tool for operations different from those intended could result in a hazardous situation.
8. **Keep handles and grasping surfaces dry, clean and free from oil and grease.** Slippery handles and grasping surfaces do not allow for safe handling and control of the tool in unexpected situations.
9. **When using the tool, do not wear cloth work gloves which may be entangled.** The entanglement of cloth work gloves in the moving parts may result in personal injury.

## Battery tool use and care

1. **Recharge only with the charger specified by the manufacturer.** A charger that is suitable for one type

- of battery pack may create a risk of fire when used with another battery pack.
- Use power tools only with specifically designated battery packs.** Use of any other battery packs may create a risk of injury and fire.
  - When battery pack is not in use, keep it away from other metal objects, like paper clips, coins, keys, nails, screws or other small metal objects, that can make a connection from one terminal to another.** Shorting the battery terminals together may cause burns or a fire.
  - Under abusive conditions, liquid may be ejected from the battery; avoid contact. If contact accidentally occurs, flush with water. If liquid contacts eyes, additionally seek medical help.** Liquid ejected from the battery may cause irritation or burns.
  - Do not use a battery pack or tool that is damaged or modified.** Damaged or modified batteries may exhibit unpredictable behaviour resulting in fire, explosion or risk of injury.
  - Do not expose a battery pack or tool to fire or excessive temperature.** Exposure to fire or temperature above 130 °C may cause explosion.
  - Follow all charging instructions and do not charge the battery pack or tool outside the temperature range specified in the instructions.** Charging improperly or at temperatures outside the specified range may damage the battery and increase the risk of fire.

#### Service

- Have your power tool serviced by a qualified repair person using only identical replacement parts.** This will ensure that the safety of the power tool is maintained.
- Never service damaged battery packs.** Service of battery packs should only be performed by the manufacturer or authorized service providers.
- Follow instruction for lubricating and changing accessories.**

## CORDLESS MULTI TOOL SAFETY WARNINGS

GEB094-2

- This power tool is intended to function for sawing, cutting, grinding and sanding. Read all safety warnings, instructions, illustrations and specifications provided with this power tool.** Failure to follow all instructions listed below may result in electric shock, fire and/or serious injury.
- Hold power tool by insulated gripping surfaces, when performing an operation where the cutting accessory may contact hidden wiring.** Cutting accessory contacting a "live" wire may make exposed metal parts of the power tool "live" and could give the operator an electric shock.
- Use clamps or another practical way to secure and support the workpiece to a stable platform.** Holding the work by hand or against your body leaves it unstable and may lead to loss of control.
- Always use safety glasses or goggles. Ordinary eye or sun glasses are NOT safety glasses.**
- Avoid cutting nails. Inspect workpiece for any nails and remove them before operation.**
- Hold the tool firmly.**
- Make sure the application tool is not contacting the workpiece before the switch is turned on.**
- Keep hands away from moving parts.**
- Do not leave the tool running. Operate the tool only when hand-held.**
- Always switch off and wait for the blade to come to a complete stop before removing the blade from the workpiece.**
- Do not touch the application tool or the workpiece immediately after operation; they may be extremely hot and could burn your skin.**
- Do not operate the tool at no-load unnecessarily.**
- Always use the correct dust mask/respirator for the material and application you are working with.**
- Some material contains chemicals which may be toxic. Take caution to prevent dust inhalation and skin contact. Follow material supplier safety data.**
- This tool has not been waterproofed, so do not use water on the workpiece surface.**
- Ventilate your work area adequately when you perform sanding operations.**
- Use of this tool to sand some products, paints and wood could expose user to dust containing hazardous substances. Use appropriate respiratory protection.**
- Be sure that there are no cracks or breakage on the pad before use. Cracks or breakage may cause a personal injury.**
- Do not use accessories which are not specifically designed and recommended by the tool manufacturer.** Just because the accessory can be attached to your power tool, it does not assure safe operation.
- Wear personal protective equipment. Depending on application, use face shield, safety goggles or safety glasses. As appropriate, wear hearing protectors, gloves and workshop apron capable of stopping small abrasive or workpiece fragments.** The eye protection must be capable of stopping flying debris generated by various operations. The dust mask or respirator must be capable of filtering particles generated by your operation. Prolonged exposure to high intensity noise may cause hearing loss.
- Keep bystanders a safe distance away from work area. Anyone entering the work area must wear personal protective equipment.** Fragments of workpiece or of a broken accessory may fly away and cause injury beyond immediate area of operation.
- Never lay the power tool down until the accessory has come to a complete stop.** The spinning accessory may grab the surface and pull the power tool out of your control.
- Do not run the power tool while carrying it at your side.** Accidental contact with the accessory could snag your clothing, pulling the accessory into your body.
- Do not operate the power tool near flammable materials.** Sparks could ignite these materials.
- Do not use accessories that require liquid coolants.** Using water or other liquid coolants may result in electrocution or shock.

26. Always be sure that the tool is switched off and unplugged or that the battery cartridge is removed before carrying out any work on the tool.
27. Always be sure you have a firm footing. Be sure no one is below when using the tool in high locations.

## SAVE THESE INSTRUCTIONS.

**⚠ WARNING:**  
DO NOT let comfort or familiarity with product (gained from repeated use) replace strict adherence to safety rules for the subject product. MISUSE or failure to follow the safety rules stated in this instruction manual may cause serious personal injury.

## IMPORTANT SAFETY INSTRUCTIONS FOR BATTERY CARTRIDGE

ENC007-12

1. Before using battery cartridge, read all instructions and cautionary markings on (1) battery charger, (2) battery, and (3) product using battery.
2. Do not disassemble battery cartridge.
3. If operating time has become excessively shorter, stop operating immediately. It may result in a risk of overheating, possible burns and even an explosion.
4. If electrolyte gets into your eyes, rinse them out with clear water and seek medical attention right away. It may result in loss of your eyesight.
5. Do not short the battery cartridge:
  - (1) Do not touch the terminals with any conductive material.
  - (2) Avoid storing battery cartridge in a container with other metal objects such as nails, coins, etc.
  - (3) Do not expose battery cartridge to water or rain.

A battery short can cause a large current flow, overheating, possible burns and even a breakdown.

6. Do not store the tool and battery cartridge in locations where the temperature may reach or exceed 50°C (122°F).
7. Do not incinerate the battery cartridge even if it is severely damaged or is completely worn out. The battery cartridge can explode in a fire.
8. Be careful not to drop or strike battery.
9. Do not use a damaged battery.
10. The contained lithium-ion batteries are subject to the Dangerous Goods Legislation requirements. For commercial transports e.g. by third parties, forwarding agents, special requirement on packaging and labeling must be observed. For preparation of the item being shipped, consulting an expert for hazardous material is required. Please also observe possibly more detailed national regulations. Tape or mask off open contacts and pack up the battery in such a manner that it cannot move around in the packaging.

11. Follow your local regulations relating to disposal of battery.
12. Use the batteries only with the products specified by Makita. Installing the batteries to non-compliant products may result in a fire, excessive heat, explosion, or leak of electrolyte.

## SAVE THESE INSTRUCTIONS.

**⚠ CAUTION:** Only use genuine Makita batteries. Use of non-genuine Makita batteries, or batteries that have been altered, may result in the battery bursting causing fires, personal injury and damage. It will also void the Makita warranty for the Makita tool and charger.

### Tips for maintaining maximum battery life

1. Charge the battery cartridge before completely discharged. Always stop tool operation and charge the battery cartridge when you notice less tool power.
2. Never recharge a fully charged battery cartridge. Overcharging shortens the battery service life.
3. Charge the battery cartridge with room temperature at 10°C - 40°C (50°F - 104°F). Let a hot battery cartridge cool down before charging it.
4. Charge the battery cartridge if you do not use it for a long period (more than six months).

## FUNCTIONAL DESCRIPTION

- ⚠ WARNING:**
- Always be sure that the tool is switched off and battery cartridge is removed before adjusting or checking function on the tool. Failure to switch off and remove the battery cartridge may result in serious personal injury from accidental start-up.

### Installing or removing battery cartridge (Fig. 2)

- ⚠ CAUTION:**
- Always switch off the tool before installing or removing of the battery cartridge.
  - Hold the tool and the battery cartridge firmly when installing or removing battery cartridge. Failure to hold the tool and the battery cartridge firmly may cause them to slip off your hands and result in damage to the tool and battery cartridge and a personal injury.
- To remove the battery cartridge, slide it from the tool while sliding the button on the front of the cartridge. To install the battery cartridge, align the tongue on the battery cartridge with the groove in the housing and slip it into place. Insert it all the way until it locks in place with a little click. If you can see the red indicator on the upper side of the button, it is not locked completely.

- ⚠ CAUTION:**
- Always install the battery cartridge fully until the red indicator cannot be seen. If not, it may accidentally fall out of the tool, causing injury to you or someone around you.
  - Do not install the battery cartridge forcibly. If the cartridge does not slide in easily, it is not being inserted correctly.



## Battery protection system (Lithium-ion battery with star marking) (Fig. 3)

Lithium-ion batteries with a star marking are equipped with a protection system. This system automatically cuts off power to the tool to extend battery life.

The tool will automatically stop during operation if the tool and/or battery are placed under one of the following conditions:

- **Overloaded:**  
The tool is operated in a manner that causes it to draw an abnormally high current.  
In this situation, slide the slide switch on the tool toward the "O (OFF)" position and stop the application that caused the tool to become overloaded. Then slide the slide switch toward the "I (ON)" position again to restart.  
If the tool does not start, the battery is overheated. In this situation, let the battery cool before sliding the slide switch toward the "I (ON)" position again.
- **Low battery voltage:**  
The remaining battery capacity is too low and the tool will not operate. In this situation, remove and recharge the battery.









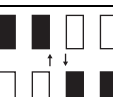

## Overheat protection

When the tool is overloaded and the tool temperature reaches a certain level, the tool automatically stops. In this situation, let the tool cool before turning on the tool again.

## Indicating the remaining battery capacity

*Only for battery cartridges with the indicator (Fig. 4)*

Press the check button on the battery cartridge to indicate the remaining battery capacity. The indicator lamps light up for a few seconds.

Indicator lamps			Remaining capacity
 Lighted	 Off	 Blinking	
			75% to 100%
			50% to 75%
			25% to 50%
			0% to 25%
			Charge the battery.
			The battery may have malfunctioned.

015658

### NOTE:

- Depending on the conditions of use and the ambient temperature, the indication may differ slightly from the actual capacity.

## Switch action (Fig. 5)

### ⚠ CAUTION:

- Before installing the battery cartridge into the tool, always check to see that the tool is switched off.
- To start the tool, slide the slide switch toward the "I (ON)" position.  
To stop the tool, slide the slide switch toward the "O (OFF)" position.

## Adjusting the orbital stroke rate (Fig. 6)

The orbital stroke rate is adjustable. To change the orbital stroke rate, turn the dial between 1 and 6. The higher the number is, the higher the orbital stroke rate is. Preset the dial to the number suitable for your workpiece.

### NOTE:

- The dial cannot be turned directly from 1 to 6 or from 6 to 1. Forcing the dial may damage the tool. When changing the dial direction, always turn the dial moving it through each intermediate number.

## Indication lamp (Fig. 7)

- When the remaining battery capacity gets low, the indication lamp blinks.
- When the remaining battery capacity gets much lower, the tool stops during operation and the indication lamp lights up about 10 seconds.

At this time, remove the battery cartridge from the tool and charge it.

## ASSEMBLY

### ⚠ CAUTION:

- Always be sure that the tool is switched off and the battery cartridge is removed before carrying out any work on the tool.

## Installing or removing application tool (optional accessory)

### ⚠ WARNING:

- Do not install application tool upside down. Installing application tool upside down may damage the tool and cause serious personal injury.
- Install attachment tool in the correct direction according to your work. Application tool can be installed at an angle of every 30 degree.

### ⚠ CAUTION:

- Be careful when closing the lock lever. The lock lever may close suddenly and pinch your finger.
- Clean up dust and perform lubrication on the moving part of the lock lever from time to time. Otherwise dust may accumulate in the moving part of the lock lever and hinder its smooth movement.
- Do not start the tool while the lever opens. The tool may be damaged.

1. Open the lock lever fully. And remove the holder bolt. (Fig. 8)
2. Put an application tool (optional accessory) on the tool flange so that the protrusions of the tool flange fit in the holes in the application tool. (Fig. 9)
3. Insert the holder bolt till it stops. And then, return the lock lever to its original position. (Fig. 10)

When using sanding application tool, mount the application tool on the sanding pad so that it matches the sanding pad direction.

The sanding pad has a hook and loop type fitting system which allows easy and rapid fitting of a sanding paper.

As sanding papers have holes for dust extraction, mount a sanding paper so that the holes in a sanding paper match those in the sanding pad.

To remove a sanding paper, raise its end and peel it off.

To remove the holder bolt, follow the installation procedures in reverse. (Fig. 11)

When using application tools with a different type of installation section, use a correct adapter (optional accessory).

## OPERATION

### WARNING:

- Before starting the tool and during operation, keep your hand and face away from the application tool.

### CAUTION:

- Do not apply excessive load to the tool which may cause a motor lock and stop the tool.

## Cutting, sawing and scraping

### CAUTION:

- Do not move on the tool forcibly in the direction (eg. towards either side) of tool application with no cutting edge. It may damage the tool. (Fig. 12)

Put the application tool on the workpiece.

And then move the tool forward so that the application tool movement does not slow down.

### NOTE:

- Forcing or excessive pressure on the tool may reduce efficiency.
- Before cutting operation, it is recommended to preset the orbital stroke rate 4 - 6.
- Remove sawdust by drawing the tool adequately. It increases work efficiency.
- The round saw is recommended for cutting long straight line.

## Sanding

### CAUTION:

- Do not reuse a sanding paper used for sanding metal to sand wood.
- Do not use a worn sanding paper or sanding paper without grit.

Apply a sanding paper on the workpiece. (Fig. 13)

### NOTE:

- Using a test material sample to try is recommendable to determine a correct orbital stroke rate suitable for your work.
- Use a sanding paper with the same grit until sanding the whole workpiece is completed. Replacing a sanding paper with different grit sanding paper may not get a fine finish.

## Dust extraction attachment (optional accessory) (Fig. 14)

- Install dust nozzles and dust attachment.

- Install the nozzle band on the tool so that its protrusions fit in the holes in the tool to secure it.
- Put the felt ring and the sanding pad on the dust attachment and then secure them with the application tool installation bolt. (Fig. 15)

When you wish to perform cleaner operation, connect a vacuum cleaner to your tool. Connect a hose of vacuum cleaner to the dust extraction attachment (optional accessory).

## MAINTENANCE

### CAUTION:

- Always be sure that the tool is switched off and the battery cartridge is removed before attempting to perform inspection or maintenance.
- Never use gasoline, benzine, thinner, alcohol or the like. Discoloration, deformation or cracks may result.

To maintain product SAFETY and RELIABILITY, repairs, carbon brush inspection and replacement, any other maintenance or adjustment should be performed by Makita Authorized Service Centers, always using Makita replacement parts.

## OPTIONAL ACCESSORIES

### CAUTION:

- These accessories or attachments are recommended for use with your Makita tool specified in this manual. The use of any other accessories or attachments might present a risk of injury to persons. Only use accessory or attachment for its stated purpose.

If you need any assistance for more details regarding these accessories, ask your local Makita Service Center.

- Segment saw blade
- Round saw blade
- Plunge cut saw blade
- Scraper (rigid)
- Scraper (flexible)
- Serrated seg blade
- General joint cutter
- HM remover
- HM seg saw blade
- HM sanding plate
- Diamond seg sawblade
- Sanding pad
- Adapter
- Abrasive paper delta (red/white/black)
- Fleece delta (medium/coarse/without grit)
- Polishing felt delta
- Hex wrench
- Dust extraction attachment
- Makita genuine battery and charger

### NOTE:

- Some items in the list may be included in the tool package as standard accessories. They may differ from country to country.

**总图说明**

- |          |             |                        |
|----------|-------------|------------------------|
| 1. 按钮    | 9. 指示灯      | 17. 灰尘附件               |
| 2. 红色指示灯 | 10. 固定器螺栓   | 18. 毛毡环 (ø 37 mm)      |
| 3. 电池套管  | 11. 锁杆      | 19. 垫子 (带 OIS 标记)      |
| 4. 启动标记  | 12. 应用工具中的孔 | 20. 工具中的孔              |
| 5. 指示灯   | 13. 工具法兰突起  | 21. 喷嘴带上的突起            |
| 6. 检查按钮  | 14. 适配器     | 22. 隔片                 |
| 7. 滑动开关  | 15. 喷嘴带     | 23. 毛毡环 (ø 47 mm)      |
| 8. 拨盘    | 16. 灰尘喷嘴    | 24. 垫子 (带 STARLOCK 标记) |

**规格**

型号	DTM41	DTM51
每分钟振荡次数	6,000 - 20,000 (min <sup>-1</sup> )	
振荡角度, 左 / 右	1.6° (总共 3.2°)	
总长	326 - 340 mm	
净重	1.9 - 2.3 kg	2.0 - 2.4 kg
额定电压	D.C. 14.4 V	D.C. 18 V

- 鉴于我司将持续实施研发计划，此处规格如有变更，恕不另行通知。
- 本产品在各个国家的规格可能有所不同。
- 视附件（包括电池套管）的情况，重量可能不同。最轻和最重的组合（根据 EPTA-Procedure 01/2014）显示在表中。





**适用的电池套管和充电器**

电池套管	D.C. 14.4 V 型号	BL1415N/BL1430/BL1430B/BL1440/BL1450/BL1460B
	D.C. 18 V 型号	BL1815N/BL1820/BL1820B/BL1830/BL1830B/BL1840/ BL1840B/BL1850/BL1850B/BL1860B
充电器	DC18RC/DC18RD/DC18RE/DC18SD/DC18SE/DC18SF	

- 根据您所居住的地区，可能无法使用上面列出的某些电池套管和充电器。

**⚠ 警告：**

- 仅使用以上列出的电池套管和充电器。使用任何其他电池套管和充电器可能会引起受伤或火灾。

<b>符号</b>	<b>END221-4</b>	<b>设计用途</b>	<b>ENE080-1</b>
下列所示为用于设备的符号。请确保在使用前理解各个符号的含义。		该工具用于锯切木材、塑料、石膏、有色金属和紧固元件（例如未硬化的钉子）。它还可用于加工软质墙面砖，以及干磨和刮擦小的表面。特别适用于靠近边缘和齐平切割的工作。	
  .....	请阅读操作手册。		
  .....	佩戴安全眼镜。		

# 电动工具一般安全警告 GEA013-2

**⚠ 警告：**阅读此电动工具提供的所有安全警告、说明、插图和规格。违反以下列出的任何指示可能导致触电、火灾和 / 或严重的人身伤害事故。

请妥善保存所有的警告和操作指示以备日后参考。

在该警告中的“电动工具”是指电网电源供电（接电源线）的电动工具或电池驱动（充电式）电动工具。

## 工作区域安全

1. 保持工作区域干净，照明良好。杂乱或黑暗的工作场所容易引发事故。
2. 不得在有爆炸性危险的环境（如存在易燃液体、气体和粉尘）中使用电动工具。操作电动工具时会产生火花，而这可能引燃粉尘或烟雾。
3. 操作电动工具时，请让儿童和旁观者远离工作区域。注意力分散可能导致操作失控。

## 电气安全

1. 电动工具的插头必须与插座相匹配。切勿以任何方式对插头进行改装。转接插头不得和接了地线的电动工具一起使用。未经改动的插头和相匹配的插座有利于减少电击危险。
2. 避免身体与接地的物体接触，如水管、散热器、电炉和电冰箱等。如果您的身体接地了，会增加电击的危险。
3. 不得将电动工具暴露在雨中或湿的环境中。如果有水进入电动工具将增加电击的危险。
4. 请勿不当使用电线。切勿用导线拖携工具或拔下电动工具的插头。将电线保存在远离高温、油垢、锐边或移动部件之处。损坏或缠绕的电线会增加电击危险。
5. 当在户外操作电动工具时，只能使用合适的户外专用延长电线。使用合适的户外专用电线将减少电击危险。
6. 如果不能避免在潮湿的环境中使用电动工具，请使用受剩余电流装置（RCD）保护的电源。使用 RCD 可减少电击危险。

7. 电动工具可产生对用户无害的电磁场（EMF）。然而，心脏起搏器和其他类似医疗设备的用户应该在操作该电动工具前，应联系其设备的制造商和 / 或医生以获得建议。

## 人身安全

1. 操作电动工具时请保持警惕，注意您的操作并运用常识。疲惫、饮酒或服用毒品、药物之后，切勿操作电动工具。使用电动工具时只要稍微分心便可能导致严重的人身伤害事故。
2. 请使用个人劳防用品。总是佩戴护目镜。根据使用情况穿戴合适的防护装备，例如防尘面罩、止滑工作鞋、安全帽或耳罩，可降低人身伤害事故发生的几率。
3. 防止意外启动。在连接电源和 / 或电池组、拿起或搬运工具之前，请确保开关处于关闭位置。如果在提携电动工具时，您的手指触碰了开关，或连接电源时，开关仍然处于启动位置，都可能引发意外事故。
4. 电动工具开机前，除去任何调节工具或扳手。电动工具的旋转部件上如果还插有扳手或调节工具可能会导致人身伤害。
5. 避免错误的持机姿势。务必站稳并始终保持平衡。正确的操作姿势能够帮助您在突发状况下及时控制住电动工具。
6. 合理着装。请勿穿戴宽松的衣服或佩戴首饰。保持头发和衣服远离移动机件。宽松的衣服、首饰或长头发可能会被卷入移动机件中。
7. 如果设备能连接除尘或集尘装置，确保这些装置已经连接并被正确使用。使用集尘装置可减少尘屑相关的危害。
8. 不要让经常使用工具而获得的熟悉让您变得自满并忽视工具安全原则。粗心的动作可能在几分之一秒内造成严重伤害。
9. 使用电动工具时，请始终佩戴护目镜以保护眼睛免受伤害。护目镜必须符合美国的 ANSI Z87.1、欧洲的 EN 166 或澳大利亚 / 新西兰的 AS/NZS 1336。在澳大利亚 / 新西兰，法律要求佩戴面罩以保护您的面部。（图 1）

雇主有责任强制工具操作员和附近工作区域的其他人员使用适当的安全防护设备。

### 电动工具使用和保养

1. 不要滥用电动工具。根据应用情况选择适合的电动工具。正确地选用电动工具可以在规定的功率范围中，更有效率更安全的操作机器。
2. 不要使用开关故障的电动工具。如果无法正常操控起停开关，极容易在操作机器时产生意外，必须进行修理。
3. 在调整机器设置、更换配件或存放电动工具前，必须先断开插头与电源的连接和 / 或从电动工具中取出电池组（如果可拆卸）。这些预防性的安全措施能减少意外启动电动工具的危险。
4. 将不用的电动工具保存在儿童接触不到的地方。禁止不熟悉电动工具或这些操作说明的人员使用电动工具。未经训练的人员操作电动工具是危险的行为。
5. 维护电动工具和配件。检查运动部件是否有偏差或粘连，部件是否破损，以及其它可能会影响工具运行的情况。如有损坏，使用前需修理完毕。很多事故都是由于没有对电动工具进行很好维护造成的。
6. 切割工具必须保持锋利和清洁。经过细心保养且刀刃锋利的切割工具不易被夹住，并更容易操作。
7. 使用电动工具、配件和刀头等时应考虑工作条件和要进行工作的性质，遵循相应的操作指示。将电动工具用于既定用途以外的目的时，可能会导致危险。
8. 保持手柄和抓握表面干燥、清洁、无油脂。意外情况下，光滑的手柄和抓握表面无法安全操作和控制工具。
9. 使用工具时，请勿穿戴可能缠绕的布工作手套。布工作手套在活动部件中缠结可能导致人身伤害。

### 电池工具使用和保养

1. 仅使用制造商指定的充电器进行充电。适用于一种类型电池组的充电器如果用于其他电池组可能会引起火灾危险。

2. 使用电动工具时仅使用指定的电池组。使用任何其他电池组可能会引起人身伤害或火灾危险。
3. 当电池组未用时，请将其保存在远离金属物品之处，如回形针、硬币、钥匙、钉子、螺丝或其他小金属物体等。这些物体可能会将电池的两个端子连在一起。短接电池端子可能会引起爆炸或火灾。
4. 如果使用不当可能从电池渗出液体。避免接触此类流动物体。如果意外接触到电池漏液，请用水冲洗。如果上述液体侵入眼睛必须即刻就医。从电池流出的液体会刺激或灼伤皮肤。
5. 不得使用损坏或改装过的电池组。损坏或改装过的电池可能会出现不可预见的情况，有引起火灾、爆炸或受伤的危险。
6. 不得将电池组或工具暴露在火中或过高温下。暴露在火中或温度高于 130° C 时可能会引起爆炸。
7. 遵守所有的充电说明，不得在超过说明书指定的温度范围下对电池组或工具充电。不正确充电或在超过指定的温度范围下充电都可能导致电池损坏，增加火灾风险。

### 维修

1. 电动工具只能由有相关资质的维修人员进行修理，修理时只能使用原厂零配件。唯有如此才能确保电动工具的安全性。
2. 禁止维修损坏的电池组。电池组的维修只能由制造商或授权服务提供商执行。
3. 按照要求对配件进行润滑和更换。

## 充电式多功能切割打磨机安全警告

GEA094-2

1. 该电动工具旨在用于锯、切、磨、砂。阅读此电动工具提供的所有安全警告、说明、插图和规格。违反以下列出的任何指示可能导致触电、火灾和 / 或严重的人身伤害事故。
2. 在切割配件可能接触隐藏线路的地方进行操作时，仅通过绝缘的夹持表面固定电动工具。切割配件接触“带电”的电线可能使电动工具暴露的金属部件“带电”，并且可能给操作者造成电击。

3. 使用夹具或其他实用方法将工件固定并支撑在稳定的平台上。用手或靠着身体进行工作会使其不稳定并可能导致失去控制。
4. 始终使用安全眼镜或护目镜。普通眼镜或太阳眼镜并非安全眼镜。
5. 避免切伤指甲。检查工件是否有任何钉子，并在操作前将其拆下。
6. 牢牢握住工具。
7. 在开关打开之前，确保应用工具没有接触到工件。
8. 请让双手远离移动部件。
9. 不可让工具在无人时运行。仅在手握工具时进行操作。
10. 在从工件上拆下刀片之前，务必关闭并等待刀片完全停止。
11. 在操作结束之后不要马上触摸应用工具或工件；因为它们可能温度极高，从而会灼伤皮肤。
12. 如无必要，空载时不要操作工具。
13. 针对正在作业的材料和进行的应用，请始终使用正确的防尘面具 / 呼吸器。
14. 某些材料所含的化学物质可能有毒性。请避免吸入粉尘或使其接触到皮肤。请遵循材料供应商的安全要求。
15. 该工具不防水，因此请勿在工件表面使用水。
16. 在进行砂磨操作时，应充分地对工作区域进行通风。
17. 使用此工具对某些产品、油漆和木材进行砂磨可能会使用户接触到含有有害物质的粉尘。使用适当的呼吸保护装置。
18. 使用前请确保垫上没有裂缝或破损。裂缝或破损可能导致人员受伤。
19. 请勿使用非工具制造商专门设计和推荐的配件。因为这些配件仅是可以连接到您的电动工具，它不能确保安全操作。
20. 请穿戴个人劳防用品。根据应用情况，使用面罩、护目镜或安全眼镜。适当时，佩戴听力保护器、手套和车间围裙，能够阻止小的磨料或工件碎片。护眼装置必须能够阻止各种操作产生的飞溅碎片。防尘面具或呼吸器必须能够过滤操作产生的颗粒。长时间暴露于高强度噪音可能会导致听力损失。

21. 让旁观者保持与工作区的安全距离。进入工作区域的任何人都必须穿戴个人劳防用品。工件或破损配件的碎片可能飞离并对直接操作区域以外造成伤害。
22. 在配件完全停止之前，切勿将电动工具放下。旋转配件可能会抓住表面并将电动工具拉出您的控制。
23. 在您身侧携带电动工具时请勿运行。意外与配件接触可能会钩住您的衣物，将配件拉进您的身体。
24. 不要在易燃材料附近操作电动工具。火花可以点燃这些材料。
25. 不要使用需要液体冷却剂的配件。使用水或其他液体冷却剂可能导致触电或电击。
26. 在工具上执行任何工作前，务必关闭工具开关并拔出插头或取下电池套管。
27. 始终确保脚下牢固。当工具在高位置使用时，确保其下无人。

## 请保留此说明书。

### △ 警告：

不要因为舒适或对产品熟悉（因重复使用而获得）而不严格遵守产品的安全准则。工具使用不当或未遵守本说明书所列的安全规则可能导致严重的人身伤害。

## 电池套管重要安全注意事项

ENC007-12

1. 使用电池套管前，请阅读 (1) 电池充电器、(2) 电池和 (3) 使用电池之产品上的所有指导说明和警戒标记。
2. 请勿拆开电池套管。
3. 如果操作时间变得过短，立即停止操作。其可能导致过热、造成灼伤，甚至爆炸的危险。
4. 如果电解液进入您的双眼，用清水冲洗，并立即就医。其可能导致您的视力下降。
5. 请勿短接电池套管：
  - (1) 请勿使用任何导电材料接触端子。
  - (2) 避免在装有其它金属物体的容器内存放电池套管，例如钉子、硬币等。
  - (3) 不要将电池套管暴露在水或雨中。

电池短路可能导致过大的电流、过热，可能造成灼伤，甚至发生故障。

6. 请勿将工具和电池套管存放于温度可能达到或超过 50°C (122°F) 的位置。
7. 即使电池套管严重损坏或完全磨损，也不要烧弃之。电池套管在火中可能爆炸。
8. 请小心，不要掉落或撞击电池。
9. 不要使用损坏的电池。
10. 所含锂离子电池符合《危险品立法》的要求。

对于商业运输（如通过第三方、运输代理），必须遵守包装和标签的特殊要求。对于要发运的物品准备，必须咨询危险材料方面的专家。也请遵守可能更加详细的相关国家规定。

缠绕或屏蔽开口触点，并包装好电池，让其不能在包装盒内移动。

11. 请遵守当地关于电池处置的规定。
12. 电池仅与牧田指定的产品配合使用。将电池安装到不兼容的产品上可能引起火灾、过热、爆炸或电解液泄漏。

## 请保留此说明书。

**△ 注意：**仅使用牧田正品电池。

使用非牧田正品电池或改装后的电池，可导致电池爆炸，引起火灾，造成人员受伤和物品损坏。这还会丧失牧田对牧田工具和充电器的保修。

## 保持电池最大寿命的提示

1. 在电池套管完全放电前，进行充电。  
在您注意到工具功率下降时，务必停止操作工具，并给电池套管充电。
2. 切勿重新给完全充电的电池套管再次充电。  
过度充电会缩短电池使用寿命。
3. 在 10°C - 40°C (50°F - 104°F) 的室温给电池套管充电。充电前，让灼热的电池套管冷却下来。
4. 如果长期不使用（超过六个月），请充放电电池套管。

## 功能说明

**△ 警告：**

- 在工具上调整和检查功能前，务必关闭工具开关和电池套管。未能关闭并取出电池套管可能会导致意外启动，造成严重的人身伤害。

## 安装或拆卸电池套管（图 2）

**△ 注意：**

- 安装或拆卸电池套管前，务必关闭工具的开关。
- 安装或拆卸电池套管时牢牢握住工具和电池套管。未能牢牢握住工具和电池套管可能导致它们从手中滑出，损坏工具和电池套管及造成人员受伤。

取出电池套管时，滑动电池套管前面的按钮，将其从工具中滑出。

安装电池套管时，将电池套管上的凸榫对准外壳上的沟槽，并将其滑入到位。一直插入，直到其锁定在位，这时候会听到微弱的“咔哒”声。如果能看到按钮上侧的红色指示灯，则表示没有完全锁紧。

**△ 注意：**

- 务必装好电池套管，直到不能看到红色指示灯。否则，其可能意外从工具中掉出，导致您或您周围的人员受到伤害。
- 请勿用力安装电池套管。如果电池套管没有轻松地滑入，表明其可能没有正确插入。

## 电池保护系统（带星号标记的锂离子电池电子）（图 3）

带星号标记的锂离子电池配有保护系统。该系统自动切断到工具的电源，延长电池寿命。如果工具和 / 或电池处于以下状况之一，工具将在运行期间自动停止：

- 过载：  
该工具的操作方式使其产生异常高的电流。  
在这种情况下，将工具上的滑动开关朝“O (OFF)”（关）滑动并停止导致工具过载的应用。将滑动开关再次滑向“I (ON)”（开）重启。

如果工具未启动，则电池过热。在这种情况下，在将滑动开关朝“1 (ON)”（开）滑动之前让电池冷却。

- 电池电压低：  
剩余电池容量太低，工具无法运行。在这种情况下，请取出电池并重新充电。

### 过热保护

当工具过载且工具温度达到一定水平时，工具自动停止。在这种情况下，再次打开工具电源之前，让工具冷却。

### 指示剩余电池电量

仅用于带指示灯的电池套管 (图 4)

按下电池套管上的检查按钮以指示剩余电池电量。指示灯亮起几秒钟。

指示灯			剩余电量
亮起	关	闪烁	
■	□	▨	
■ ■ ■ ■			75% 至 100%
■ ■ ■ □			50% 至 75%
■ ■ □ □			25% 至 50%
■ □ □ □			0% 至 25%
▨ □ □ □			电池充电。
■ ■ □ □	↑ ↓	■ ■	电池可能有故障。

015658

注：

- 根据使用条件和环境温度，指示可能与实际电量稍有不同。

### 开关操作 (图 5)

△ 注意：

- 将电池套管安装刀工具前，务必检查工具电源是否已关闭。

如要启动该工具，请将滑动开关滑向“1 (ON)”（开）位置。

如要停止该工具，请将滑动开关滑向“0 (OFF)”（关）位置。

### 调整轨道冲程率 (图 6)

轨道冲程率可调。如要更改轨道冲程率，请将拨盘在 1 到 6 之间转动。数字越大，轨道冲程率越高。将拨盘预设为与工件相适应的数字。

注：

- 拨盘不能直接从 1 转到 6 或从 6 转到 1。强行使用拨盘可能损坏工具。更改拨盘方向时，请始终转动拨盘将其通过每个中间号码。

### 指示灯 (图 7)

- 当剩余电池电量变小时，指示灯闪烁。
- 当剩余电池电量变得更低时，工具在操作期间停止并且指示灯亮起约 10 秒。此时，从工具中取出电池套管并为其充电。

### 组装

△ 注意：

- 在工具上执行任何工作前，务必关闭工具开关并取下电池套管。

### 安装和拆卸应用工具 (选配附件)

△ 警告：

- 不要倒置安装应用工具。倒置安装应用工具可能会损坏工具并造成严重的人身伤害。
- 根据您的工作，以正确的方向安装附件工具。应用工具可以每 30 度的角度安装。

△ 注意：

- 关闭锁定杆时要小心。锁定杆可能会突然关闭并夹住手指。
  - 时常清洁灰尘并对锁定杆的移动部分进行润滑。否则灰尘可能会积聚在锁定杆的运动部分，并阻碍其平稳运动。
  - 杆打开时，请勿启动工具。该工具可能已损坏。
1. 完全打开锁定杆。然后拆下固定器螺栓。(图 8)
  2. 将应用工具 (选配附件) 放在工具法兰上，使工具法兰的突出部分装入应用工具的孔。(图 9)
  3. 插入固定器螺栓直至其停止。然后，将锁定杆返回其原始位置。(图 10)



使用砂磨应用工具时，将应用工具装在砂磨垫上，使其与砂磨垫方向一致。

砂磨垫具有锁钩和环型装配系统，容易快速装配砂纸。

由于砂纸有除尘孔，因此安装砂纸时要让砂纸上的孔与砂磨垫中的孔相匹配。

如要取下砂纸，请将其尾端抬起并剥离。

如要拆下固定器螺栓，请按安装的相反顺序执行。（图 11）

使用具有不同安装段类型的应用工具时，请使用正确的适配器（选配附件）。

## 操作

### ⚠ 警告：

- 在启动工具前和操作过程中，请将手和脸远离应用工具。

### ⚠ 注意：

- 不要对工具施加过大负荷，否则可能导致电机锁定并停止工具。

## 切割、锯切和刮削

### ⚠ 注意：

- 不要在没有切削刃的工具应用方向（例如，朝向任一侧）上强行移动工具。它可能会损坏工具。（图 12）

将应用工具放在工件上。

然后向前移动工具，让应用工具的移动不会减慢。

### 注：

- 强行使用工具或对工具施加过大的压力可能会降低效率。
- 在切割操作之前，建议预设轨道冲程率为 4 - 6。
- 通过充分拉动工具来去除锯末。它提高了工作效率。
- 推荐使用圆锯切割长直线。

## 砂磨

### ⚠ 注意：

- 不要将用于打磨金属的砂纸重复用于打磨木材。
- 不要使用磨损的砂纸或没有砂砾的砂纸。在工件上使用砂纸。（图 13）

### 注：

- 建议使用测试材料样品来确定适合您工作的正确轨道冲程率。
- 使用具有相同砂砾的砂纸，直到完成整个工件的打磨。用不同砂砾的砂纸来替换可能无法获得精细的光洁度。

## 除尘附件（选配附件）（图 14）

- 安装灰尘喷嘴和灰尘附件。
- 将喷嘴带安装在工具上，使其突出部分装在工具的孔中以固定它。
- 将毛毡环和砂磨垫放在防尘罩上，然后用应用工具安装螺栓固定住。（图 15）

如果希望执行更清洁的操作，请将集尘器连接到工具上。将集尘器软管连接到集尘附件（选配附件）。

## 维护

### ⚠ 注意：

- 尝试进行检查或维护前，务必关闭工具开关，并拆下电池套管。
- 不得使用汽油、苯、稀释剂、酒精或其它类似产品。否则可能出现退色、变形或裂缝。

为了保持产品的安全和可靠性，维修、碳刷检查和更换以及其它任何维护和调整工作应当由牧田授权维修中心进行，且务必使用牧田的替换零件。

## 选配附件

### ⚠ 注意：

- 这些配件或附件建议用于本手册指定的牧田工具。使用任何其它配件或附件可能造成人身伤害的危险。仅将配件或附件用于规定用途。

如果您需要任何帮助以获得有关这些配件的更多详细信息，请咨询当地的牧田服务中心。

- 分段锯刀片
- 圆锯刀片
- 切入式切割锯刀片
- 刮板（刚性）
- 刮板（挠性）
- 锯齿状分段锯刀片
- 通用接头切刀

- HM 清除器
- HM 分段锯刀片
- HM 砂磨板
- 金刚石分段锯刀片
- 砂磨垫
- 适配器
- 砂纸 delta (红 / 白 / 黑)
- 无纺 delta (中等 / 粗糙 / 无砂砾)
- 抛光毛毡 delta
- 六角扳手
- 集尘附件
- 牧田正品电池或充电器

**注：**

- 列表中的某些物品可能已经作为标准附件包括在了工具包装中。它们可能在不同国家各异。

# BAHASA INDONESIA (Petunjuk Asli)

## Penjelasan tampilan keseluruhan

- |                         |                                  |                                      |
|-------------------------|----------------------------------|--------------------------------------|
| 1. Tombol               | 10. Baut penahan                 | 19. Bantalan (dengan tanda OIS)      |
| 2. Indikator merah      | 11. Tuas kunci                   | 20. Lubang pada mesin                |
| 3. Kartrid baterai      | 12. Lubang pada alat aplikasi    | 21. Tonjolan pada pengikat nozel     |
| 4. Tanda gambar bintang | 13. Tonjolan flensa mesin        | 22. Pengatur jarak                   |
| 5. Lampu indikator      | 14. Adapter                      | 23. Cincin kain (ø 47 mm)            |
| 6. Tombol cek           | 15. Pengikat nozel               | 24. Bantalan (dengan tanda STARLOCK) |
| 7. Sakelar geser        | 16. Nozel debu                   |                                      |
| 8. Tombol putar         | 17. Alat tambahan penghisis debu |                                      |
| 9. Lampu indikasi       | 18. Cincin kain (ø 37 mm)        |                                      |

## SPESIFIKASI

Model	DTM41	DTM51
Osilasi per menit	6.000 - 20.000 (men <sup>-1</sup> )	
Sudut osilasi, kiri/kanan	1,6° (3,2° total)	
Panjang keseluruhan	326 - 340 mm	
Berat bersih	1,9 - 2,3 kg	2,0 - 2,4 kg
Tegangan yang sesuai	D.C. 14,4 V	D.C. 18 V

- Karena kesinambungan program penelitian dan pengembangan kami, spesifikasi yang disebutkan di sini dapat berubah tanpa pemberitahuan.
- Spesifikasi dapat berbeda dari satu negara ke negara lainnya.
- Berat dapat berbeda-beda tergantung pada alat tambahan, termasuk kartrid baterai. Gabungan yang paling ringan dan paling berat, menurut Prosedur EPTA 01/2014, ditampilkan dalam tabel.

## Kartrid baterai dan pengisi baterai yang sesuai

Kartrid baterai	D.C. 14,4 V Model	BL1415N/BL1430/BL1430B/BL1440/BL1450/BL1460B
	D.C. 18 V Model	BL1815N/BL1820/BL1820B/BL1830/BL1830B/BL1840/BL1840B/BL1850/BL1850B/BL1860B
Pengisi baterai	DC18RC/DC18RD/DC18RE/DC18SD/DC18SE/DC18SF	

- Beberapa kartrid baterai dan pengisi baterai yang disebutkan di atas mungkin tidak tersedia tergantung pada kawasan tempat tinggal Anda.

### ⚠ PERINGATAN:

- **Hanya gunakan kartrid baterai dan pengisi baterai yang disebutkan di atas.** Penggunaan kartrid baterai dan pengisi baterai yang lain dapat menyebabkan cedera/atau kebakaran.

### Simbol-simbol

END221-4

Berikut ini adalah simbol-simbol yang digunakan pada mesin ini. Pastikan Anda mengerti makna masing-masing simbol sebelum menggunakan mesin ini.



..... Baca petunjuk penggunaan.



..... Kenakan kacamata pengaman.

### Maksud penggunaan

ENE080-1

Mesin ini dimaksudkan untuk menggergaji dan memotong kayu, plastik, gips, logam non-besi, dan elemen pengencang (mis. paku yang tidak dikeraskan dan staples). Mesin ini juga dimaksudkan untuk mengerjakan ubin dinding lunak, di samping mengampelas dan menyekrap permukaan kecil secara kering. Mesin ini terutama untuk bekerja di dekat tepian dan pemotongan rata.

## PERINGATAN KESELAMATAN UMUM MESIN LISTRIK

GEA013-2

⚠ **PERINGATAN:** Bacalah semua peringatan keselamatan, petunjuk, ilustrasi dan spesifikasi yang disertakan bersama mesin listrik ini. Kelalaian untuk mematuhi semua petunjuk yang tercantum di bawah ini dapat menyebabkan sengatan listrik, kebakaran dan/atau cedera serius.

### Simpanlah semua peringatan dan petunjuk untuk acuan di masa depan.

Istilah "mesin listrik" dalam semua peringatan mengacu pada mesin listrik yang dijalankan dengan sumber listrik jala-jala (berkabel) atau baterai (tanpa kabel).

### Keselamatan tempat kerja

1. **Jaga tempat kerja selalu bersih dan berpenerangan cukup.** Tempat kerja yang berantakan dan gelap mengundang kecelakaan.

2. **Jangan gunakan mesin listrik dalam lingkungan yang mudah meledak, misalnya jika ada cairan, gas, atau debu yang mudah menyala.** Mesin listrik menimbulkan bunga api yang dapat menyalakan debu atau uap tersebut.
3. **Jauhkan anak-anak dan orang lain saat menggunakan mesin listrik.** Bila perhatian terpecah, anda dapat kehilangan kendali.

#### **Keamanan Kelistrikan**

1. **Steker mesin listrik harus cocok dengan stopkontak. Jangan sekali-kali mengubah steker dengan cara apa pun. Jangan menggunakan steker adaptor dengan mesin listrik terbumi (dibumikan).** Steker yang tidak diubah dan stopkontak yang cocok akan mengurangi risiko sengatan listrik.
2. **Hindari sentuhan tubuh dengan permukaan terbumi atau yang dibumikan seperti pipa, radiator, kompor, dan kulkas.** Risiko sengatan listrik bertambah jika tubuh Anda terbumikan atau dibumikan.
3. **Jangan membiarkan mesin listrik kehujanan atau kebasahan.** Air yang masuk ke dalam mesin listrik akan meningkatkan risiko sengatan listrik.
4. **Jangan menyalahgunakan kabel. Jangan sekali-kali menggunakan kabel untuk membawa, menarik, atau mencabut mesin listrik dari stopkontak. Jauhkan kabel dari panas, minyak, tepian tajam, atau bagian yang bergerak.** Kabel yang rusak atau kusut memperbesar risiko sengatan listrik.
5. **Bila menggunakan mesin listrik di luar ruangan, gunakan kabel ekstensi yang sesuai untuk penggunaan di luar ruangan.** Penggunaan kabel yang sesuai untuk penggunaan luar ruangan mengurangi risiko sengatan listrik.
6. **Jika mengoperasikan mesin listrik di lokasi lembap tidak terhindarkan, gunakan pasokan daya yang dilindungi peranti imbasan arus (residual current device - RCD).** Penggunaan RCD mengurangi risiko sengatan listrik.
7. **Mesin listrik dapat menghasilkan medan magnet (EMF) yang tidak berbahaya bagi pengguna.** Namun, pengguna alat pacu jantung atau peralatan medis sejenisnya harus berkonsultasi dengan produsen peralatan tersebut dan/atau dokter mereka sebelum mengoperasikan mesin listrik ini.

#### **Keselamatan Diri**

1. **Jaga kewaspadaan, perhatikan pekerjaan Anda dan gunakan akal sehat bila menggunakan mesin listrik. Jangan menggunakan mesin listrik saat Anda lelah atau di bawah pengaruh obat bius, alkohol, atau obat.** Sekejam saja lalai saat menggunakan mesin listrik dapat menyebabkan cedera badan serius.
2. **Gunakan alat pelindung diri. Selalu gunakan pelindung mata.** Peralatan pelindung seperti masker debu, sepatu pengaman anti-selip, helm pengaman, atau pelindung telinga yang digunakan untuk kondisi yang sesuai akan mengurangi risiko cedera badan.
3. **Cegah penyalaan yang tidak disengaja. Pastikan bahwa sakelar berada dalam posisi mati (off) sebelum menghubungkan mesin ke sumber daya**

**dan/atau paket baterai, atau mengangkat atau membawanya.** Membawa mesin listrik dengan jari Anda pada sakelarnya atau mengalirkan listrik pada mesin listrik yang sakelarnya hidup (on) akan mengundang kecelakaan.

4. **Lepaskan kunci-kunci penyetel sebelum menghidupkan mesin listrik.** Kunci-kunci yang masih terpasang pada bagian mesin listrik yang berputar dapat menyebabkan cedera.
5. **Jangan meraih terlalu jauh. Jagalah pijakan dan keseimbangan sepanjang waktu.** Hal ini memungkinkan kendali yang lebih baik atas mesin listrik dalam situasi yang tidak diharapkan.
6. **Kenakan pakaian yang memadai. Jangan memakai pakaian yang longgar atau perhiasan. Jaga jarak antara rambut dan pakaian Anda dengan komponen mesin yang bergerak.** Pakaian yang longgar, perhiasan, atau rambut yang panjang dapat tersangkut pada komponen yang bergerak.
7. **Jika tersedia fasilitas untuk menghisap dan mengumpulkan debu, pastikan fasilitas tersebut terhubung listrik dan digunakan dengan baik.** Penggunaan pembersih debu dapat mengurangi bahaya yang terkait dengan debu.
8. **Jangan sampai Anda lengah dan mengabaikan prinsip keselamatan mesin ini hanya karena sudah sering mengoperasikannya dan sudah merasa terbiasa.** Tindakan yang lalai dapat menyebabkan cedera berat dalam sepersejikan detik saja.
9. **Selalu kenakan kacamata pelindung untuk melindungi mata dari cedera saat menggunakan mesin listrik. Kacamata harus sesuai dengan ANSI Z87.1 di Amerika Serikat, EN 166 di Eropa, atau AS/NZS 1336 di Australia/Selandia Baru. Di Australia/Selandia Baru, secara hukum Anda juga diwajibkan mengenakan pelindung wajah untuk melindungi wajah Anda. (Gb. 1) Menjadi tanggung jawab atasan untuk menerapkan penggunaan alat pelindung keselamatan yang tepat bagi operator mesin dan orang lain yang berada di area kerja saat itu.**

#### **Penggunaan dan pemeliharaan mesin listrik**

1. **Jangan memaksa mesin listrik. Gunakan mesin listrik yang tepat untuk keperluan Anda.** Mesin listrik yang tepat akan menuntaskan pekerjaan dengan lebih baik dan aman pada kecepatan sesuai rancangannya.
2. **Jangan gunakan mesin listrik jika sakelar tidak dapat menyalakan dan mematikannya.** Mesin listrik yang tidak dapat dikendalikan dengan sakelarnya adalah berbahaya dan harus diperbaiki.
3. **Cabut steker dari sumber listrik dan/atau lepas paket baterai, jika dapat dilepas, dari mesin listrik sebelum melakukan penyetelan apa pun, mengganti aksesori, atau menyimpan mesin listrik.** Langkah keselamatan preventif tersebut mengurangi risiko hidupnya mesin secara tak sengaja.
4. **Simpan mesin listrik jauh dari jangkauan anak-anak dan jangan biarkan orang yang tidak paham mengenai mesin listrik tersebut atau petunjuk ini menggunakan mesin listrik.** Mesin listrik sangat berbahaya di tangan pengguna yang tak terlatih.

5. **Rawatlah mesin listrik dan aksesori. Periksa apakah ada komponen bergerak yang tidak lurus atau macet, komponen yang pecah, dan kondisi-kondisi lain yang dapat memengaruhi pengoperasian mesin listrik. Jika rusak, perbaiki mesin listrik terlebih dahulu sebelum digunakan.** Banyak kecelakaan disebabkan oleh kurangnya pemeliharaan mesin listrik.
6. **Jaga agar mesin pemotong tetap tajam dan bersih.** Mesin pemotong yang terawat baik dengan mata pemotong yang tajam tidak mudah macet dan lebih mudah dikendalikan.
7. **Gunakan mesin listrik, aksesori, dan mata mesin, dll. sesuai dengan petunjuk ini, dengan memperhitungkan kondisi kerja dan jenis pekerjaan yang dilakukan.** Penggunaan mesin listrik untuk penggunaan yang lain dari peruntukan dapat menimbulkan situasi berbahaya.
8. **Jagalah agar gagang dan permukaan pegangan tetap kering, bersih, dan bebas dari minyak dan pelumas.** Gagang dan permukaan pegangan yang licin tidak mendukung keamanan penanganan dan pengendalian mesin dalam situasi-situasi tak terduga.
9. **Ketika menggunakan mesin, jangan menggunakan sarung tangan kain yang dapat tersangkut.** Sarung tangan kain yang tersangkut pada komponen bergerak dapat mengakibatkan cedera pada pengguna.

#### **Penggunaan dan pemeliharaan mesin bertenaga baterai**

1. **Isi ulang baterai hanya dengan pengisi daya yang ditentukan oleh pabrikan.** Pengisi daya yang cocok untuk satu jenis paket baterai dapat menimbulkan risiko kebakaran ketika digunakan untuk paket baterai yang lain.
2. **Gunakan mesin listrik hanya dengan paket baterai yang telah ditentukan secara khusus.** Penggunaan paket baterai lain dapat menimbulkan risiko cedera dan kebakaran.
3. **Ketika paket baterai tidak digunakan, jauhkan dari benda logam lain, seperti penjepit kertas, uang logam, kunci, paku, sekrup atau benda logam kecil lainnya, yang dapat menghubungkan satu terminal ke terminal lain.** Hubungan singkat terminal baterai dapat menyebabkan luka bakar atau kebakaran.
4. **Pemakaian yang salah, dapat menyebabkan keluarnya cairan dari baterai; hindari kontak.** Jika terjadi kontak secara tidak sengaja, bilas dengan air. Jika cairan mengenai mata, cari bantuan medis. Cairan yang keluar dari baterai bisa menyebabkan iritasi atau luka bakar.
5. **Jangan menggunakan paket baterai atau mesin yang sudah rusak atau telah diubah.** Baterai yang rusak atau telah diubah dapat menyebabkan hal-hal yang tidak dapat diprediksi yang dapat menyebabkan kebakaran, ledakan atau risiko cedera.
6. **Jangan membiarkan paket baterai atau mesin dekat dengan api atau suhu yang berlebihan.** Paparan api atau suhu di atas 130 °C dapat menyebabkan ledakan.
7. **Ikuti semua petunjuk pengisian daya dan jangan mengisi daya paket baterai atau mesin di luar rentang suhu yang ditentukan di panduan.** Mengisi

daya secara tidak tepat atau pada suhu di luar rentang yang ditentukan dapat merusak baterai dan meningkatkan risiko kebakaran.

#### **Servis**

1. **Berikan mesin listrik untuk diperbaiki hanya kepada oleh teknisi yang berkualifikasi dengan menggunakan hanya suku cadang pengganti yang serupa.** Hal ini akan menjamin terjaganya keamanan mesin listrik.
2. **Jangan pernah memperbaiki paket baterai yang sudah rusak.** Perbaikan paket baterai harus dilakukan hanya oleh produsen atau penyedia servis resmi.
3. **Patuhi petunjuk pelumasan dan penggantian aksesori.**

## **PERINGATAN KESELAMATAN MESIN MULTIFUNGSI NIRKABEL**

GEB094-2

1. **Mesin bertenaga listrik ini dimaksudkan untuk menggergaji, memotong, menggerinda, dan mengampelas.** Bacalah semua peringatan keselamatan, petunjuk, ilustrasi, dan spesifikasi yang disediakan bersama dengan mesin listrik ini. Kelalaian untuk mematuhi seluruh petunjuk di bawah ini dapat mengakibatkan sengatan listrik, kebakaran, dan/atau cedera serius.
2. **Pegang mesin listrik pada permukaan genggam yang terisolasi bila dalam melakukan pekerjaan aksesori pemotong dapat menyentuh kawat tersembunyi.** Aksesori pemotong yang menyentuh kawat "hidup" (teraliri arus listrik) dapat menyebabkan bagian logam yang terbuka pada mesin ikut "hidup" dan menyangat pengguna.
3. **Gunakan klem atau cara praktis lain untuk mengamankan dan menyangga benda kerja pada platform/udukan yang stabil.** Memegang benda kerja dengan tangan atau menahannya dengan tubuh akan membuatnya tidak stabil dan dapat mengakibatkan kehilangan kendali.
4. **Selalu kenakan kacamata pengaman. Kacamata biasa atau kacamata hitam BUKANLAH kacamata pengaman.**
5. **Hindari memotong paku.** Periksa dan cabut paku dari benda kerja sebelum memotong.
6. **Pegang mesin dengan kuat.**
7. **Pastikan alat aplikasi tidak menyentuh benda kerja sebelum sakelar dihidupkan.**
8. **Jauhkan tangan dari bagian yang bergerak.**
9. **Jangan tinggalkan mesin dalam keadaan hidup.** Jalankan mesin hanya ketika digenggam tangan.
10. **Selalu matikan sakelar dan tunggu hingga bilah benar-benar berhenti sebelum melepas bilah dari benda kerja.**
11. **Jangan menyentuh alat aplikasi atau benda kerja segera setelah pengoperasian selesai; suhunya mungkin masih sangat panas dan dapat membakar kulit Anda.**
12. **Jangan menjalankan mesin dengan nol beban secara tidak perlu.**

13. Selalu kenakan masker debu/respirator yang sesuai dengan bahan kerja dan sifat pekerjaan yang Anda lakukan.
14. Bahan tertentu mengandung zat kimia yang mungkin beracun. Hindari menghirup debu dan persentuhan dengan kulit. Patuhi data keselamatan bahan dari pemasok.
15. Mesin ini tidak dibuat tahan air, jadi jangan gunakan air pada permukaan benda kerja.
16. Beri ventilasi yang memadai pada tempat kerja Anda saat melakukan pekerjaan pengampelasan.
17. Penggunaan mesin ini untuk mengampelas beberapa produk, cat, dan kayu dapat memaparkan pengguna pada debu yang mengandung bahan berbahaya. Gunakan alat pelindung pernapasan yang sesuai.
18. Pastikan tidak ada retakan atau kerusakan pada bantalan sebelum menggunakan. Keretakan atau kerusakan dapat menyebabkan cedera.
19. Jangan menggunakan aksesoris yang tidak secara khusus dirancang dan direkomendasikan oleh pabrik pembuat mesin. Hanya karena aksesoris bisa dipasang pada mesin listrik Anda, tidak berarti bahwa penggunaannya pasti aman.
20. Kenakan alat pelindung diri. Tergantung pemakaian, gunakanlah pelindung wajah danacamata pengaman. Jika perlu, pakailah pelindung pendengaran, sarung tangan, dan apron kerja yang mampu menahan kepingan kecil bahan abrasif atau benda kerja. Pelindung mata harus mampu menghentikan serpihan terbang yang dihasilkan oleh berbagai macam pekerjaan. Masker debu atau respirator harus mampu menyangkal partikel yang dihasilkan dalam pekerjaan Anda. Kebisingan berintensitas tinggi yang lama dapat merusak pendengaran.
21. Jaga agar orang lain berada pada jarak yang aman dari area kerja. Setiap orang yang masuk ke area kerja harus memakai alat pelindung diri. Serpihan benda kerja atau aksesoris yang pecah dapat terlontar dan melukai orang di luar area kerja.
22. Jangan sekali-kali meletakkan mesin listrik sebelum aksesoris berhenti sepenuhnya. Aksesoris yang berputar dapat tersangkut pada permukaan dan menarik mesin listrik lepas dari kendali Anda.
23. Jangan menyalakan mesin listrik saat membawanya di sisi tubuh Anda. Kontak tak disengaja dengan aksesoris dapat menggulung pakaian Anda dan menarik aksesoris ke tubuh Anda.
24. Jangan menggunakan mesin listrik di dekat bahan yang mudah menyala. Bunga api dapat menyalakan bahan tersebut.
25. Jangan gunakan aksesoris yang membutuhkan cairan pendingin. Penggunaan air atau cairan pendingin lain dapat mengakibatkan sengatan listrik yang bisa mematikan.
26. Selalu pastikan bahwa mesin dalam keadaan mati dan kabelnya dicabut atau kartrid baterainya dilepas sebelum melakukan pekerjaan apa pun pada mesin.
27. Selalu pastikan Anda berdiri di atas alas yang kuat. Pastikan tidak ada orang di bawahnya bila Anda menggunakan mesin di tempat tinggi.

## SIMPAN PETUNJUK INI.



### PERINGATAN:

JANGAN biarkan kenyamanan atau terbiasanya Anda dengan produk (karena penggunaan berulang) menggantikan kepatuhan yang ketat terhadap aturan keselamatan untuk produk yang terkait.

**PENYALAHGUNAAN** atau kelalaian mematuhi kaidah keselamatan yang tertera dalam petunjuk penggunaan ini dapat menyebabkan cedera badan serius.

## PETUNJUK KESELAMATAN PENTING UNTUK KARTRID BATERAI

ENC007-12

1. Sebelum menggunakan kartrid baterai, bacalah semua petunjuk dan tanda peringatan pada (1) pengisi baterai, (2) baterai, dan (3) produk yang menggunakan baterai.
2. Jangan membongkar kartrid baterai.
3. Jika waktu pengoperasian telah menjadi terlalu singkat, segera hentikan pengoperasian. Keadaan tersebut dapat mengakibatkan risiko timbulnya panas berlebihan, kemungkinan luka bakar, dan bahkan ledakan.
4. Jika ada elektrolit yang masuk ke mata, bilaslah bersih-bersih dengan air bersih dan segera cari bantuan medis. Hal itu dapat mengakibatkan hilangnya penglihatan.
5. Jangan menghubusingkatkan kartrid baterai:
  - (1) Jangan menyentuh terminal-terminalnya dengan bahan konduktif.
  - (2) Hindari menyimpan kartrid baterai dalam wadah bersama dengan benda logam lainnya seperti paku, koin, dll.
  - (3) Jangan biarkan kartrid baterai terkena air atau hujan.

Hubungan singkat baterai dapat menyebabkan aliran arus yang besar, panas berlebihan, kemungkinan luka bakar, dan bahkan kerusakan permanen.

6. Jangan menyimpan alat ini dan kartrid baterai di tempat yang suhunya dapat mencapai atau melebihi 50°C (122°F).
7. Jangan membakar kartrid baterai bahkan meskipun kartrid sudah rusak parah atau benar-benar rusak. Kartrid baterai dapat meledak di dalam api.
8. Berhati-hatilah agar baterai tidak sampai terjatuh atau terputuk.
9. Jangan menggunakan baterai yang rusak.
10. Baterai litium-ion yang disertakan sesuai dengan persyaratan Perundangan Makanan Berbahaya. Harus ada pengawasan untuk pengangkutan komersial misalnya oleh pihak ketiga, ekspediter, persyaratan khusus terhadap pengemasan dan pelabelan. Diperlukan adanya konsultasi dengan ahli mengenai material berbahaya untuk persiapan barang yang akan dikirimkan. Perhatikan pula peraturan nasional yang lebih terperinci yang mungkin ada. Beri perekat atau tutupi bagian yang terbuka dan

kemasi baterai dengan cara yang tidak akan menimbulkan pergeseran dalam pengemasan.

11. **Ikutilah peraturan setempat terkait pembuangan baterai.**
12. **Gunakan baterai hanya dengan produk yang ditentukan oleh Makita.** Memasang baterai pada produk yang tidak sesuai dapat mengakibatkan kebakaran, panas berlebihan, ledakan, atau kebocoran elektrolit.

## SIMPAN PETUNJUK INI.

### PERHATIAN: Gunakan baterai asli Makita.

Penggunaan baterai Makita yang tidak asli, atau baterai yang sudah diubah, akan mengakibatkan baterai mudah terbakar, cedera dan kerusakan. Akan menghilangkan garansi Makita pada pengisi daya dan alat Makita.

## Kiat untuk mempertahankan usia pakai baterai maksimum

1. **Isilah kembali kartrid baterai sebelum baterai sepenuhnya habis.**  
Selalu hentikan pengoperasian alat dan isi kartrid baterai saat Anda merasakan bahwa tenaga alat telah berkurang.
2. **Jangan sekali-kali mengisi ulang kartrid baterai yang telah terisi penuh.**  
Mengisi baterai terlalu banyak akan memperpendek usia pakai baterai.
3. **Isilah kartrid baterai dalam ruangan bersuhu antara 10°C - 40°C (50°F - 104°F).** Biarkan kartrid baterai yang panas mendingin lebih dahulu sebelum mengisinya.
4. **Ganti kartrid baterai jika Anda akan tidak menggunakannya untuk waktu yang lama (lebih dari enam bulan).**

## DESKRIPSI FUNGSI

### PERINGATAN:

- **Selalu pastikan bahwa mesin dalam keadaan mati dan kartrid baterainya telah dilepas sebelum menyatel atau memeriksa fungsi mesin.** Kelalaian untuk mematikan sakelar dan melepas kartrid baterai dapat mengakibatkan cedera serius akibat terhidupkannya mesin secara tidak disengaja.

## Memasang atau melepas kartrid baterai (Gb. 2)

### PERHATIAN:

- **Selalu matikan mesin sebelum memasang atau melepas kartrid baterainya.**
- **Pegang mesin dan kartrid baterai kuat-kuat saat memasang atau melepaskan kartrid baterai.** Bila tidak dipegang dengan kuat, mesin dan kartrid baterai dapat terlepas dari tangan Anda dan menyebabkan kerusakan pada mesin dan kartrid baterai serta cedera.

Untuk mengeluarkan kartrid baterai, geser kartrid dari mesin sambil menggeser tombol pada bagian depan kartrid.

Untuk memasang kartrid baterai, luruskan lidah pada kartrid baterai dengan alur pada rumah mesin dan dorong masuk kartrid ke tempatnya. Masukkan kartrid

sepenuhnya sampai terkunci di tempatnya yang ditandai dengan suara klik pelan. Jika Anda dapat melihat indikator merah di sisi atas tombol, berarti baterai belum terkunci sepenuhnya.

### PERHATIAN:

- **Selalu pasang kartrid baterai sepenuhnya sampai indikator merah tidak terlihat.** Jika tidak, komponen ini dapat terlepas dan jatuh dari mesin, sehingga menyebabkan cedera pada Anda atau orang lain di sekitar Anda.
- **Jangan memasang kartrid baterai secara paksa.** Jika kartrid tidak dapat meluncur masuk dengan mudah, berarti posisi memasukkannya belum tepat.

## Sistem perlindungan baterai (Baterai litium-ion dengan tanda gambar bintang) (Gb. 3)

Baterai litium-ion dengan tanda gambar bintang dilengkapi dengan sistem perlindungan. Sistem ini secara otomatis memutuskan aliran daya ke mesin untuk memperpanjang usia pakai baterai.

Mesin akan secara otomatis berhenti beroperasi jika mesin dan/atau baterainya berada dalam salah satu keadaan berikut ini:

- **Kelebihan beban:**  
Mesin dioperasikan dengan cara yang membuatnya menyedot arus yang luar biasa besar. Dalam keadaan ini, geser sakelar geser mesin ke arah posisi "O (OFF)" dan hentikan pemakaian yang menyebabkan mesin kelebihan beban. Kemudian geser sakelar ke posisi "I (ON)" lagi untuk menghidupkan mesin kembali.  
Jika mesin tidak berjalan, berarti baterainya mengalami panas berlebihan. Dalam situasi ini, biarkan baterai mendingin sebelum menggeser sakelar geser ke posisi "I (ON)" kembali.
- **Tegangan baterai rendah:**  
Kapasitas baterai yang tersisa terlalu sedikit dan mesin tidak mau beroperasi. Dalam keadaan ini, lepaskan dan isi kembali (cas) baterainya.

## Perlindungan dari panas berlebihan

Bila mesin mengalami kelebihan beban dan suhu mesin mencapai tingkat tertentu, mesin secara otomatis berhenti. Dalam keadaan ini, biarkan mesin menjadi dingin lebih dulu sebelum menghidupkan mesin lagi.

## Menunjukkan kapasitas baterai yang tersisa

### **Hanya untuk kartrid baterai dengan indikator (Gb. 4)**

Tekan tombol pemeriksaan pada kartrid baterai untuk melihat kapasitas baterai yang tersisa. Lampu indikator menyala selama beberapa detik.

Lampu indikator			Kapasitas tersisa
Menyala	Mati	Berkedip	
■	□	▧	75% sampai 100%
■	■	■	50% sampai 75%
■	■	□	25% sampai 50%
■	□	□	0% sampai 25%
▧	□	□	Isilah baterai.
■	■	□	Baterai mungkin telah rusak/malfungsi.

015658

#### CATATAN:

- Tergantung pada kondisi penggunaan dan suhu udara sekitar, tampilan indikasi dapat sedikit berbeda dengan kapasitas sesungguhnya.

### Gerakan sakelar (Gb. 5)

#### ⚠ PERHATIAN:

- Sebelum memasang kartrid baterai ke dalam mesin, selalu periksa untuk memastikan bahwa mesin dalam keadaan dimatikan.

Untuk menghidupkan mesin, geser sakelar ke posisi "I (ON)".

Untuk mematikan mesin, geser sakelar ke posisi "O (OFF)".

### Menyetel kecepatan langkah orbital (melengkung) (Gb. 6)

Kecepatan langkah orbital dapat diatur. Untuk mengubah kecepatan langkah orbital, putar tombol-putar antara 1 dan 6. Semakin tinggi angka yang dipilih, semakin tinggi kecepatan langkah orbital mesin. Setel dahulu tombol-putar ke angka yang sesuai untuk benda kerja Anda.

#### CATATAN:

- Tombol-putar tidak dapat diputar langsung dari 1 ke 6 atau dari 6 ke 1. Memaksa tombol putar dapat merusak mesin. Saat mengubah arah tombol-putar, selalu putar tombol-putar ini dengan melalui setiap angka tengah.

### Lampu indikasi (Gb. 7)

- Bila kapasitas baterai yang tersisa tinggal sedikit, lampu indikasi berkedip.
- Bila kapasitas baterai yang tersisa tinggal sangat sedikit, mesin akan berhenti saat dioperasikan dan lampu indikasi menyala selama sekitar 10 detik.

Pada saat demikian, lepaskan kartrid baterai dari mesin dan isi ulang baterai.

## PERAKITAN

#### ⚠ PERHATIAN:

- Selalu pastikan bahwa mesin dalam keadaan mati dan kartrid baterainya dilepas sebelum melakukan pekerjaan apa pun pada mesin.

### Memasang atau melepaskan alat aplikasi (aksesori tambahan)

#### ⚠ PERINGATAN:

- Jangan memasang alat aplikasi secara terbalik dengan bagian bawahnya di atas. Memasang alat aplikasi secara terbalik demikian dapat merusak mesin dan menyebabkan cedera serius.
- Pasang alat tambahan dalam arah yang benar sesuai dengan pekerjaan Anda. Alat aplikasi dapat dipasang pada sudut setiap 30 derajat.

#### ⚠ PERHATIAN:

- Berhati-hatilah saat menutup tuas kunci. Tuas kunci dapat menutup secara tiba-tiba dan menjepit jari Anda.
- Bersihkan debu dan lumasi komponen bergerak tuas kunci secara teratur. Jika tidak, debu dapat terakumulasi dalam komponen bergerak tuas kunci dan membuat gerakannya kurang halus.
- Jangan menghidupkan mesin ketika tuas ini terbuka. Hal ini dapat menyebabkan kerusakan pada mesin.

- Buka tuas kunci sepenuhnya. Dan lepaskan baut penahannya. (Gb. 8)
- Pasang alat aplikasi (aksesori tambahan) pada flensa mesin sehingga tonjolan pada flensa mesin terpasang pas dalam lubang alat aplikasi. (Gb. 9)
- Masukkan baut penahan sampai berhenti. Kemudian kembalikan tuas kunci ke posisi aslinya. (Gb. 10)

Bila menggunakan alat aplikasi pengampelas, pasang alat aplikasi pada bantalan ampelas sehingga sesuai dengan arah bantalan ampelas.

Bantalan ampelas memiliki sistem pemasangan jenis kait-lup (seperti pada kain rekat) yang memungkinkan pemasangan kertas ampelas dengan mudah dan cepat. Karena kertas ampelas memiliki lubang-lubang untuk pembuangan debu, pasang kertas ampelas dengan mencocokkan lubang-lubang itu dengan lubang-lubang pada bantalan ampelas.

Untuk melepas kertas ampelas, angkat ujungnya dan kelupas.

Untuk melepas baut penahan, ikuti prosedur pemasangan secara terbalik. (Gb. 11)

Bila menggunakan alat aplikasi dengan bagian pemasangan jenis lain, gunakan adapter yang sesuai (aksesori tambahan).

## PENGOPERASIAN

#### ⚠ PERINGATAN:

- Sebelum menghidupkan mesin dan selama mengoperasikan, jauhkan tangan dan wajah Anda dari alat aplikasi.

#### ⚠ PERHATIAN:

- Jangan memberikan beban yang berlebihan pada mesin, yang dapat menyebabkan penguncian motor dan mematikan mesin.



## Memotong, menggergaji, dan menyekrap

### PERHATIAN:

- Jangan menggerakkan mesin secara paksa ke arah (mis. ke arah salah satu sisi) aplikasi mesin yang tidak memiliki mata pemotong. Tindakan demikian dapat merusak mesin ini. (Gb. 12)

Tempelkan alat aplikasi pada benda kerja.

Dan kemudian gerakkan mesin ke depan sehingga gerakan alat aplikasi tidak melambat.

### CATATAN:

- Paksaan atau tekanan berlebihan pada mesin dapat mengurangi efisiensi.
- Sebelum melakukan pemotongan, dianjurkan untuk lebih dulu menyetel kecepatan langkah orbital ke 4 - 6.
- Bersihkan serbuk gergaji dengan menarik mesin secukupnya. Ini akan meningkatkan efisiensi pekerjaan.
- Gergaji bundar dianjurkan untuk membuat garis lurus panjang.

## Pengampelasan

### PERHATIAN:

- Jangan menggunakan kembali kertas ampelas yang sudah dipakai mengampelas logam untuk mengampelas kayu.
- Jangan gunakan kertas ampelas yang aus atau kertas ampelas tanpa grit.

Aplikasikan kertas ampelas pada benda kerja. (Gb. 13)

### CATATAN:

- Menggunakan contoh bahan uji untuk mencoba dianjurkan untuk menentukan kecepatan langkah orbital yang sesuai bagi pekerjaan Anda.
- Gunakan kertas ampelas dengan grit yang sama untuk mengampelas keseluruhan benda kerja. Mengganti kertas ampelas dengan grit yang berbeda dapat memberikan hasil yang kurang bagus.

## Alat tambahan penghisap debu (aksesori tambahan) (Gb. 14)

- Pasang nozel debu dan alat tambahan penghisap debu.
- Pasang pengikat nozel pada mesin sehingga tonjolannya pas dengan lubang-lubang pada mesin untuk mengencangkannya.
- Pasang cincin kain dan bantalan ampelas pada alat tambahan penghisap debu, lalu kencangkan dengan baut pemasangan alat aplikasi. (Gb. 15)

Bila Anda ingin melakukan pekerjaan secara lebih bersih, hubungkan mesin pembersih vakum ke mesin Anda.

Hubungkan slang mesin pembersih vakum ke alat tambahan penghisap debu (aksesori tambahan).

## PERAWATAN

### PERHATIAN:

- Selalu pastikan bahwa mesin dalam keadaan mati dan kartrid baterainya dilepas sebelum mencoba melakukan pemeriksaan atau perawatan.
- Jangan sekali-kali menggunakan bensin, tiner, alkohol, atau bahan sejenisnya. Penggunaan bahan demikian

dapat menyebabkan perubahan warna dan bentuk serta timbulnya retakan.

Untuk menjaga KEAMANAN dan KEHANDALAN produk, perbaikan, pemeriksaan dan penggantian borstel arang, perawatan atau penyetulan lainnya harus dilakukan oleh Pusat Servis Resmi Makita dan gunakan selalu suku cadang Makita.

## AKSESORI TAMBAHAN

### PERHATIAN:

- Aksesori atau alat tambahan ini dianjurkan untuk digunakan dengan alat Makita milik Anda yang disebutkan dalam buku petunjuk ini. Penggunaan aksesoris atau alat tambahan lain dapat menimbulkan risiko cedera pada orang. Gunakan aksesoris atau alat tambahan sesuai kegunaannya.

Jika Anda membutuhkan bantuan perihal informasi lebih terperinci mengenai aksesoris-aksesori ini, tanyakan kepada Pusat Servis Makita setempat.

- Bilah gergaji segmen
- Bilah gergaji bundar
- Bilah gergaji pemotongan benam
- Pengerok/sekrup (kaku)
- Pengerok/sekrup (fleksibel)
- Bilah seg bergerigi
- Pemotong sambungan umum
- Pembuang HM (Logam Keras)
- Bilah gergaji seg HM (Logam Keras)
- Pelat ampelas HM (Logam Keras)
- Bilah gergaji seg intan
- Bantalan ampelas
- Adapter
- Delta kertas abrasif (merah/putih/hitam)
- Delta bulu (medium/kasar/tanpa grit)
- Delta kain pemoles
- Kunci hex
- Alat tambahan penghisap debu
- Baterai dan pengisi baterai asli Makita

### CATATAN:

- Beberapa artikel dalam daftar dapat disertakan dalam kemasan mesin sebagai aksesoris standar. Kelengkapan ini dapat berbeda dari satu negara ke negara lainnya.

# TIẾNG VIỆT (Hướng dẫn Gốc)

## Giải thích về hình vẽ tổng thể

- |                   |                                     |                                      |
|-------------------|-------------------------------------|--------------------------------------|
| 1. Nút            | 10. Bu lông đỡ                      | 19. Miếng lót (có đánh dấu OIS)      |
| 2. Chỉ báo màu đỏ | 11. Lấy khoá                        | 20. Các lỗ trong dụng cụ             |
| 3. Hộp pin        | 12. Các lỗ trong dụng cụ ứng dụng   | 21. Chỗ lồi ra trên đai vòi phun     |
| 4. Dấu sao        | 13. Chỗ lồi ra của mặt bích dụng cụ | 22. Đế chặn                          |
| 5. Đèn chỉ báo    | 14. Bộ đổi nguồn                    | 23. Đai phốt (ø 47 mm)               |
| 6. Nút kiểm tra   | 15. Đai vòi phun                    | 24. Miếng lót (có đánh dấu STARLOCK) |
| 7. Công tắc trượt | 16. Ống phun mặt cửa                |                                      |
| 8. Đồng hồ        | 17. Bộ phận chứa bụi                |                                      |
| 9. Đèn báo        | 18. Đai phốt (ø 37 mm)              |                                      |

## THÔNG SỐ KỸ THUẬT

Kiểu máy	DTM41	DTM51
Số dao động trên phút	6.000 – 20.000 (phút <sup>-1</sup> )	
Góc dao động, trái/phải	1,6° (tổng cộng 3,2°)	
Tổng chiều dài	326 - 340 mm	
Trọng lượng tịnh	1,9 - 2,3 kg	2,0 - 2,4 kg
Điện áp định mức	Dòng một chiều: 14,4 V	
		Dòng một chiều: 18 V

- Do chương trình nghiên cứu và phát triển liên tục của chúng tôi nên các thông số kỹ thuật dưới đây có thể thay đổi mà không cần thông báo.
- Các thông số kỹ thuật và hộp pin ở mỗi quốc gia có thể khác nhau.
- Trọng lượng tịnh có thể khác nhau tùy vào (các) phụ kiện bao gồm cả hộp pin. Kết hợp trọng lượng nặng nhất và nhẹ nhất, theo Quy trình EPTA 01/2014, được hiển thị trong bảng.

## Hộp pin và bộ sạc pin có thể dùng được

Hộp pin	Dòng một chiều: 14,4 V Kiểu máy	BL1415N/BL1430B/BL1430B/BL1440/BL1450/BL1460B
	Dòng một chiều: 18 V Kiểu máy	BL1815N/BL1820/BL1820B/BL1830/BL1830B/BL1840/ BL1840B/BL1850/BL1850B/BL1860B
Bộ sạc pin		DC18RC/DC18RD/DC18RE/DC18SD/DC18SE/DC18SF

- Một số hộp pin và bộ sạc pin nêu trên có thể không dùng được tùy theo khu vực cư trú của bạn.

### CẢNH BÁO:

- Chỉ sử dụng hộp pin và bộ sạc pin có tên trong danh sách nêu trên. Sử dụng hộp pin hoặc bộ sạc pin khác có thể gây thương tích và/hoặc cháy nổ.

### Ký hiệu

Phần dưới đây cho biết các ký hiệu được dùng cho thiết bị. Đảm bảo rằng bạn hiểu ý nghĩa của các ký hiệu này trước khi sử dụng.



..... Đọc tài liệu hướng dẫn.




..... Đeo kính an toàn.

### Mục đích sử dụng

Dụng cụ này được dùng để cưa và xẻ gỗ, nhựa, thạch cao, các loại kim loại màu và siết chặt các bộ phận (như đinh và ghim chưa tời). Nó cũng được dùng để lát tường mềm, đồng thời đánh bóng khô và nạo các bề mặt nhỏ. Đặc biệt nó được dùng để nối gờ và mặt cắt bằng phẳng.

## Cảnh báo an toàn chung dành cho dụng cụ máy

GEA013-2

 **CẢNH BÁO:** Xin đọc tất cả các cảnh báo an toàn, hướng dẫn, minh họa và thông số kỹ thuật đi kèm với dụng cụ máy này. Việc không tuân theo các hướng dẫn được liệt kê dưới đây có thể dẫn đến điện giật, hỏa hoạn và/hoặc thương tích nghiêm trọng.

## Lưu giữ tất cả cảnh báo và hướng dẫn để tham khảo sau này.

Thuật ngữ “dụng cụ máy” trong các cảnh báo để cập đến dụng cụ máy (có dây) được vận hành bằng nguồn điện chính hoặc dụng cụ máy (không dây) được vận hành bằng pin của bạn.

### An toàn tại nơi làm việc

- Giữ nơi làm việc sạch sẽ và có đủ ánh sáng. Nơi làm việc bừa bộn hoặc tối thường dễ gây ra tai nạn.

- Không vận hành dụng cụ máy trong môi trường cháy nổ, ví dụ như môi trường có sự hiện diện của các chất lỏng, khí hoặc bụi dễ cháy.** Các dụng cụ máy tạo tia lửa điện có thể làm bụi hoặc khí bốc cháy.
- Giữ trẻ em và người ngoài tránh xa nơi làm việc khi đang vận hành dụng cụ máy.** Sự xao lãng có thể khiến bạn mất khả năng kiểm soát.

#### **An toàn về Điện**

- Phích cắm của dụng cụ máy phải khớp với ổ cắm.** Không được sửa đổi phích cắm theo bất kỳ cách nào. Không sử dụng bất kỳ phích chuyển đổi nào với các dụng cụ máy được nối đất (tiếp đất). Các phích cắm còn nguyên vẹn và ổ cắm phù hợp sẽ giảm nguy cơ điện giật.
- Tránh để cơ thể tiếp xúc với các bề mặt nóng đất hoặc tiếp đất như đường ống, bộ tản nhiệt, bếp ga và tủ lạnh.** Nguy cơ bị điện giật sẽ tăng lên nếu cơ thể bạn được nối đất hoặc tiếp đất.
- Không để dụng cụ máy tiếp xúc với mưa hoặc trong điều kiện ẩm ướt.** Nước lọt vào dụng cụ máy sẽ làm tăng nguy cơ điện giật.
- Không lạm dụng dây điện.** Không được phép sử dụng dây để mang, kéo hoặc tháo phích cắm dụng cụ máy. Giữ dây tránh xa nguồn nhiệt, dầu, các mép sắc hoặc các bộ phận chuyển động. Dây bị hỏng hoặc bị rối sẽ làm tăng nguy cơ điện giật.
- Khi vận hành dụng cụ máy ngoài trời, hãy sử dụng dây kéo dài phù hợp cho việc sử dụng dụng cụ ngoài trời.** Việc dùng dây phù hợp cho việc sử dụng ngoài trời sẽ giảm nguy cơ điện giật.
- Nếu bắt buộc phải vận hành dụng cụ máy ở nơi ẩm ướt, hãy sử dụng nguồn cấp điện được bảo vệ bằng thiết bị ngắt dòng điện rò (RCD).** Việc sử dụng RCD sẽ làm giảm nguy cơ điện giật.
- Các dụng cụ máy có thể tạo ra từ trường điện (EMF) có hại cho người dùng.** Tuy nhiên, người dùng máy trợ tim và những thiết bị y tế tương tự khác nên liên hệ với nhà sản xuất thiết bị và/hoặc bác sỹ để được tư vấn trước khi vận hành dụng cụ máy.

#### **An toàn Cá nhân**

- Luôn tỉnh táo, quan sát những việc bạn đang làm và sử dụng những phán đoán theo kinh nghiệm khi vận hành dụng cụ máy.** Không sử dụng dụng cụ máy khi bạn đang mệt mỏi hoặc chịu ảnh hưởng của ma túy, rượu hay thuốc. Chỉ một khoảnh khắc không tập trung khi đang vận hành dụng cụ máy cũng có thể dẫn đến thương tích cá nhân nghiêm trọng.
- Sử dụng thiết bị bảo hộ cá nhân.** Luôn đeo thiết bị bảo vệ mắt. Các thiết bị bảo hộ như mũ bảo hộ chống bụi, giày an toàn chống trượt, mũ bảo hộ hay thiết bị bảo vệ thính giác được sử dụng trong các điều kiện thích hợp sẽ giúp giảm thương tích cá nhân.
- Tránh vô tình khởi động dụng cụ máy.** Đảm bảo công tắc ở vị trí off (tắt) trước khi nối nguồn điện và/hoặc bộ pin, cắm hoặc di chuyển dụng cụ máy. Việc di chuyển dụng cụ máy khi đang đặt ngón tay ở vị trí công tắc hoặc cấp điện cho dụng cụ máy đang bật thường dễ gây ra tai nạn.

- Tháo tất cả các khóa hoặc cờ lê điều chỉnh trước khi bật dụng cụ máy.** Việc cờ lê hoặc khóa vẫn còn gắn vào bộ phận quay của dụng cụ máy có thể dẫn đến thương tích cá nhân.
  - Không rời quá cao.** Luôn giữ thăng bằng tốt và có chỗ để chân phù hợp. Điều này cho phép điều khiển dụng cụ máy tốt hơn trong những tình huống bất ngờ.
  - Ăn mặc phù hợp.** Không mặc quần áo rộng hay đeo đồ trang sức. Giữ tóc và quần áo tránh xa các bộ phận chuyển động. Quần áo rộng, đồ trang sức hay tóc dài có thể mắc vào các bộ phận chuyển động.
  - Nếu các thiết bị được cung cấp để kết nối các thiết bị thu gom và hút bụi, hãy đảm bảo chúng được kết nối và sử dụng hợp lý.** Việc sử dụng thiết bị thu gom bụi có thể làm giảm những mối nguy hiểm liên quan đến bụi.
  - Không vì quen thuộc do thường xuyên sử dụng các dụng cụ mà cho phép bạn trở nên tự mãn và bỏ qua các nguyên tắc an toàn dụng cụ.** Một hành động bất cẩn có thể gây ra thương tích nghiêm trọng trong một phần của một giây.
  - Luôn luôn mang kính bảo hộ để bảo vệ mắt khỏi bị thương khi đang sử dụng các dụng cụ máy.** Kính bảo hộ phải tuân thủ ANSI Z87.1 ở Mỹ, EN 166 ở Châu Âu, hoặc AS/NZS 1336 ở Úc/New Zealand. Tại Úc/New Zealand, theo luật pháp, bạn cũng phải mang mặt nạ che mặt để bảo vệ mặt. (Hình 1)
- Trách nhiệm của chủ lao động là bắt buộc người vận hành dụng cụ và những người khác trong khu vực làm việc cạnh đó phải sử dụng các thiết bị bảo hộ an toàn thích hợp.**

#### **Sử dụng và bảo quản dụng cụ máy**

- Không dùng lực đối với dụng cụ máy.** Sử dụng đúng dụng cụ máy cho công việc của bạn. Sử dụng đúng dụng cụ máy sẽ giúp thực hiện công việc tốt hơn và an toàn hơn theo giá trị định mức được thiết kế của dụng cụ máy đó.
- Không sử dụng dụng cụ máy nếu công tắc không bật và tắt được dụng cụ máy đó.** Mọi dụng cụ máy không thể điều khiển được bằng công tắc đều rất nguy hiểm và phải được sửa chữa.
- Rút phích cắm ra khỏi nguồn điện và/hoặc tháo kết nối bộ pin khỏi dụng cụ máy, nếu có thể tháo rời trước khi thực hiện bất kỳ công việc điều chỉnh, thay đổi phụ tùng hay cất giữ dụng cụ máy nào.** Những biện pháp an toàn phòng ngừa này sẽ giảm nguy cơ vô tình khởi động dụng cụ máy.
- Cất giữ các dụng cụ máy không sử dụng ngoài tầm với của trẻ em và không cho bất kỳ người nào không có hiểu biết về dụng cụ máy hoặc các hướng dẫn này vận hành dụng cụ máy.** Dụng cụ máy sẽ rất nguy hiểm nếu được sử dụng bởi những người dùng chưa qua đào tạo.
- Bảo dưỡng dụng cụ máy và các phụ kiện.** Kiểm tra tình trạng lịch thực hoặc bộ kẹp của các bộ phận chuyển động, hiện tượng nứt vỡ của các bộ phận và mọi tình trạng khác mà có thể ảnh hưởng đến hoạt động của dụng cụ máy. Nếu có hỏng hóc, hãy sửa chữa dụng cụ máy trước khi

# CẢNH BÁO AN TOÀN DÀNH CHO DỤNG CỤ ĐA NĂNG CHẠY PIN

GEB094-2

- sử dụng.** Nhiều tai nạn xảy ra là do không bảo quản tốt dụng cụ máy.
- Luôn giữ cho dụng cụ cắt được sắc bén và sạch sẽ.** Những dụng cụ cắt được bảo quản tốt có mép cắt sắc sẽ ít bị kẹt hơn và dễ điều khiển hơn.
  - Sử dụng dụng cụ máy, phụ tùng và đầu dụng cụ cắt, v.v... theo các hướng dẫn này, có tính đến điều kiện làm việc và công việc được thực hiện.** Việc sử dụng dụng cụ máy cho các công việc khác với công việc dự định có thể gây nguy hiểm.
  - Giữ tay cầm và bề mặt tay cầm khô, sạch, không dính dầu và mỡ.** Tay cầm trơn trượt và bề mặt tay cầm không cho phép xử lý an toàn và kiểm soát dụng cụ trong các tình huống bất ngờ.
  - Khi sử dụng dụng cụ, không được đi giày tay lao động bằng vải, có thể bị vướng.** Việc gắng tay lao động bằng vải vướng vào các bộ phận chuyển động có thể gây ra thương tích cá nhân.

## Sử dụng và bảo quản dụng cụ dùng pin

- Chỉ sạc pin lại với bộ sạc do nhà sản xuất quy định.** Bộ sạc phù hợp với một loại bộ pin này có thể gây ra nguy cơ hỏa hoạn khi được dùng cho một bộ pin khác.
- Chỉ sử dụng các dụng cụ máy với các bộ pin được quy định cụ thể.** Việc sử dụng bất cứ bộ pin nào khác có thể gây ra thương tích và hỏa hoạn.
- Khi không sử dụng bộ pin, hãy giữ tránh xa các đồ vật khác bằng kim loại, chẳng hạn như kẹp giấy, tiền xu, chìa khóa, đinh, ốc vít hoặc các vật nhỏ bằng kim loại mà có thể làm nối tất các đầu cực pin.** Các đầu cực pin bị đoản mạch có thể gây cháy hoặc hỏa hoạn.
- Trong điều kiện sử dụng quá mức, pin có thể bị chảy nước; hãy tránh tiếp xúc.** Nếu vô tình tiếp xúc với pin bị chảy nước, hãy rửa sạch bằng nước. Nếu dung dịch từ pin tiếp xúc với mắt, cần đi khám bác sĩ thêm. Dung dịch chảy ra từ pin có thể gây rát da hoặc bỏng.
- Không sử dụng bộ pin hoặc dụng cụ bị hư hỏng hoặc đã bị sửa đổi.** Pin đã bị hư hỏng hoặc đã bị sửa đổi có thể hành động theo cách không thể đoán trước dẫn đến cháy, nổ hoặc nguy cơ chấn thương.
- Không để bộ pin hoặc dụng cụ tiếp xúc với lửa hoặc nhiệt độ quá cao.** Tiếp xúc với lửa hoặc nhiệt độ trên 130°C có thể gây ra cháy nổ.
- Làm theo tất cả các hướng dẫn sạc pin và không được sạc bộ pin hoặc dụng cụ vượt giới hạn nhiệt độ quy định trong hướng dẫn.** Sạc pin không đúng hoặc ở nhiệt độ vượt giới hạn nhiệt độ có thể gây hư hỏng cho pin và làm tăng nguy cơ cháy.

## Bảo dưỡng

- Để nhân viên sửa chữa đủ trình độ bảo dưỡng dụng cụ máy của bạn và chỉ sử dụng các bộ phận thay thế đồng nhất.** Việc này sẽ đảm bảo duy trì được độ an toàn của dụng cụ máy.
- Không bao giờ sử dụng bộ pin đã hỏng.** Dịch vụ bảo hành bộ pin chỉ nên thực hiện bởi nhà sản xuất hoặc các nhà cung cấp dịch vụ được ủy quyền.
- Tuân theo hướng dẫn dành cho việc bôi trơn và thay phụ tùng.**

- Dụng cụ máy này được sử dụng như máy cưa, cắt, mài và máy đánh bóng. Đọc tất cả các cảnh báo an toàn, hướng dẫn, minh họa và thông số kỹ thuật được cung cấp cùng với dụng cụ máy này.** Việc không tuân theo tất cả các hướng dẫn được liệt kê dưới đây có thể dẫn đến điện giật, hỏa hoạn và/hoặc thương tích nghiêm trọng.
- Cầm máy cưa bằng bề mặt kẹp cách điện khi thực hiện một thao tác trong đó phụ tùng cắt có thể tiếp xúc với dây dẫn kín.** Phụ tùng cắt tiếp xúc với dây dẫn “có điện” có thể làm các bộ phận kim loại trần của dụng cụ điện “tiếp điện” và có thể làm người vận hành bị điện giật.
- Dùng kẹp hoặc làm theo cách khác để giữ chặt và đỡ phôi gia công vào bề mặt vững chắc.** Giữ phôi gia công bằng tay hoặc tỳ vào cơ thể sẽ làm phôi không chắc chắn và có thể dẫn đến mất kiểm soát.
- Luôn sử dụng kính bảo hộ hoặc kính an toàn.** Kính mắt thông thường hay kính râm KHÔNG phải là kính an toàn.
- Tránh cắt đinh.** Kiểm tra phôi xem có đinh không và tháo đinh trước khi vận hành.
- Cắm chắc dụng cụ.**
- Đảm bảo rằng dụng cụ ứng dụng không tiếp xúc với phôi gia công trước khi bật công tắc.**
- Giữ tay tránh xa các bộ phận chuyển động.**
- Không để mặc dụng cụ hoạt động.** Chỉ vận hành dụng cụ khi cầm trên tay.
- Luôn tắt nguồn và đợi lưỡi của dụng cụ nguội trước khi tháo lưỡi của ra khỏi phôi.**
- Không chạm ngay vào lưỡi của hoặc phôi sau khi vận hành; chúng có thể cực nóng và có thể làm bỏng da.**
- Không vận hành dụng cụ ở chế độ không tải nếu không cần thiết.**
- Luôn sử dụng dụng cụ mặt nạ chống bụi/bình thở khi làm việc với vật liệu và ứng dụng của mình.**
- Một số vật liệu có thể chứa hoá chất độc.** Hãy cẩn thận để tránh hít phải bụi và tiếp xúc với da. Tuân theo dữ liệu an toàn của nhà cung cấp vật liệu.
- Dụng cụ này không được chống thấm nước, vì vậy không sử dụng nước trên bề mặt phôi gia công.**
- Hãy thông gió đủ cho chỗ làm việc của bạn khi bạn tiến hành hoạt động đánh bóng.**
- Sử dụng dụng cụ này để chà nhám một số sản phẩm, sơn và gỗ có thể khiến người dùng phơi nhiễm các chất nguy hiểm. Sử dụng thiết bị bảo vệ hô hấp thích hợp.**
- Đảm bảo là không có vết rạn nứt hoặc gãy trên miếng đệm trước khi sử dụng.** Các vết nứt hoặc gãy có thể gây ra thương tích cá nhân.
- Không sử dụng các phụ tùng không được thiết kế riêng và không được nhà sản xuất dụng cụ khuyến dùng.** Đó là vì phụ tùng có thể được lắp vào dụng cụ máy của bạn nhưng lại không đảm bảo vận hành an toàn.

20. **Đeo thiết bị bảo hộ cá nhân.** Tùy vào công việc, hãy sử dụng mặt nạ, kính bảo hộ hoặc kính an toàn. Khi cần, hãy đeo thiết bị bảo vệ tai, băng tay và tấm chắn bảo vệ có khả năng ngăn các mảnh vụn phoi hoặc bột mài nhò. Thiết bị bảo vệ mắt phải có khả năng ngăn mảnh vụn bay do các hoạt động khác nhau tạo ra. Mặt nạ chống bụi hoặc mặt nạ phòng độc phải có khả năng lọc các hạt do hoạt động tạo ra. Tiếp xúc lâu với tiếng ồn cường độ cao có thể gây ra mất khả năng nghe.
21. **Giữ những người ngoài tránh xa khu vực làm việc ở khoảng an toàn.** Bất kỳ ai vào khu vực làm việc đều phải đeo thiết bị bảo vệ cá nhân. Mảnh vụn phoi hoặc phụ tùng bị vỡ có thể bay xa và gây thương tích bên ngoài khu vực vận hành.
22. **Không đặt dụng cụ máy xuống đất khi phụ tùng đã dừng hoàn toàn.** Phụ tùng đang quay có thể găm vào bề mặt và kéo dụng cụ máy ra khỏi tầm điều khiển của bạn.
23. **Không chạy dụng cụ máy khi bạn đang cầm ở một phía.** Việc tiếp xúc bất ngờ có thể khiến phụ tùng vướng vào quần áo và bị kéo về phía bạn.
24. **Không vận hành dụng cụ máy gần các vật liệu dễ cháy.** Tia lửa điện có thể làm cháy những vật liệu này.
25. **Không sử dụng phụ tùng cần chất làm mát dạng lỏng.** Sử dụng nước hoặc các chất làm mát dạng lỏng khác có thể gây ra điện giật.
26. **Luôn đảm bảo rằng dụng cụ đã được tắt và rút phích cắm hoặc tháo hộp pin trước khi thực hiện bất kỳ công việc nào trên dụng cụ.**
27. **Luôn đảm bảo bạn có chỗ đặt chân vững chắc.** Đảm bảo rằng không có ai ở bên dưới khi sử dụng dụng cụ ở trên cao.

## LƯU GIỮ CÁC HƯỚNG DẪN NÀY.

### CẢNH BÁO:

**KHÔNG** được để sự thoải mái hay quen thuộc với sản phẩm (có được do sử dụng nhiều lần) thay thế việc tuân thủ nghiêm ngặt các quy định về an toàn dành cho sản phẩm này. **VIỆC DÙNG SAI** hoặc không tuân theo các quy định về an toàn được nêu trong tài liệu hướng dẫn này có thể dẫn đến thương tích cá nhân nghiêm trọng.

## HƯỚNG DẪN AN TOÀN QUAN TRỌNG CHO HỘP PIN


ENC007-12

1. Trước khi sử dụng hộp pin, hãy đọc tất cả hướng dẫn và ký hiệu cảnh báo trên (1) bộ sạc pin, (2) pin và (3) sản phẩm dùng pin.
2. Không tháo rời hộp pin.
3. Nếu thời gian vận hành ngắn hơn quá mức, hãy ngừng vận hành ngay lập tức. Điều này có thể dẫn đến rủi ro quá nhiệt, có thể gây bỏng và thậm chí là nổ.
4. Nếu chất điện phân rơi vào mắt, hãy rửa sạch bằng nước sạch và đến cơ sở y tế ngay lập tức. Chất này có thể khiến bạn giảm thị lực.
5. Không để hộp pin ở tình trạng đoản mạch:
  - (1) Không chạm vào cực pin bằng vật liệu dẫn điện.

- (2) Tránh cất giữ hộp pin trong hộp có các vật kim loại khác như đinh, tiền xu, v.v...
- (3) Không để hộp pin dính nước hoặc ngoài trời mưa.

- Đoàn mạch pin có thể gây ra dòng điện lớn, quá nhiệt, có thể gây bỏng và thậm chí là hỏng hóc.
6. Không cất giữ dụng cụ và hộp pin ở nơi nhiệt độ có thể lên tới hoặc vượt quá 50°C (122°F).
  7. Không đốt hộp pin ngay cả khi hộp pin đã bị hư hại nặng hoặc hư hỏng hoàn toàn. Hộp pin có thể nổ khi tiếp xúc với lửa.
  8. Hãy cẩn trọng không làm rơi hoặc làm méo pin.
  9. Không sử dụng pin đã hỏng.
  10. **Pin lithium-ion chứa bên trong tuân theo các yêu cầu của Luật về hàng hóa nguy hiểm.** Đối với việc vận chuyển thương mại, ví dụ như bên thứ ba, đại lý giao nhận, phải tuân theo yêu cầu đặc biệt về đóng gói và gắn nhãn. Khi chuẩn bị giao hàng, cần phải tham vấn chuyên gia về vật liệu nguy hiểm. Ngoài ra, cũng tuân theo các quy định quốc gia có thể chi tiết hơn. Buộc hoặc phủ các tiếp điểm hở và đóng gói pin sao cho pin không thể di chuyển quanh hộp.
  11. **Thực hiện theo các quy định địa phương bạn về việc thải bỏ pin.**
  12. **Chỉ sử dụng pin với các sản phẩm do Makita chỉ định.** Lắp pin cho các sản phẩm không tương thích có thể gây ra cháy, nóng quá mức, nổ, hoặc rò rỉ chất điện phân.

## LƯU GIỮ CÁC HƯỚNG DẪN NÀY.

 **THẬN TRỌNG:** Chỉ sử dụng pin chính hãng của Makita.

Việc sử dụng pin không phải chính hãng Makita hoặc pin đã bị biến đổi có thể khiến pin nổ gây ra hỏa hoạn, thương tích cá nhân và hư hại. Các pin này cũng sẽ không được nhận bảo hành của Makita dành cho dụng cụ và bộ sạc của Makita.

### Mẹo duy trì tuổi thọ tối đa cho pin

1. Sạc pin trước khi hết pin. Luôn ngừng vận hành dụng cụ và sạc pin khi bạn thấy dụng cụ bị yếu pin.
2. Không bao giờ sạc lại pin khi hộp pin đã được sạc đầy. Sạc quá mức sẽ làm giảm tuổi thọ của pin.
3. Sạc pin ở nhiệt độ phòng 10°C - 40°C (50°F - 104°F). Để cho hộp pin nóng nguội trước khi sạc.
4. Sạc hộp pin nếu bạn không sử dụng hộp pin đó trong khoảng thời gian dài (hơn 6 tháng).

## MÔ TẢ CHỨC NĂNG

### CẢNH BÁO:

- Luôn đảm bảo rằng dụng cụ đã được tắt và hộp pin đã được tháo trước khi điều chỉnh hoặc kiểm tra chức năng trên dụng cụ. Không tắt hoặc tháo hộp pin có thể dẫn đến các thương tích cá nhân nghiêm trọng do khởi động máy vô tình.

## Lắp hoặc tháo hộp pin (Hình 2)

### ⚠ THẬN TRỌNG:

- Luôn tắt công tắc dụng cụ trước khi lắp hoặc tháo hộp pin.
- **Cắm chắc dụng cụ và hộp pin khi lắp hoặc tháo hộp pin.** Không cắm chắc dụng cụ và hộp pin có thể khiến chúng bị trượt khỏi tay bạn, dẫn đến hư hỏng dụng cụ và hộp pin cũng như gây thương tích cá nhân.

Để tháo hộp pin, trượt hộp pin ra khỏi dụng cụ đồng thời đẩy nhẹ nút ở phía trước hộp pin.

Để lắp hộp pin, đặt thẳng hàng chốt nhô ra của hộp pin với rãnh ở vỏ và đẩy hộp pin vào vị trí. Đưa toàn bộ pin vào cho đến khi hộp pin khớp vào vị trí với một tiếng cách nhỏ. Nếu bạn có thể thấy chỉ báo màu đỏ ở mặt trên của nút thì hộp pin chưa hoàn toàn khớp vào vị trí.

### ⚠ THẬN TRỌNG:

- Luôn lắp hộp pin vào hoàn toàn cho đến khi không thể thấy được chỉ báo màu đỏ. Nếu không, pin có thể bật ngờ văng ra khỏi dụng cụ, gây thương tích cho bạn hoặc người xung quanh.
- Không dùng sức mạnh để lắp hộp pin. Nếu hộp pin không trượt vào dễ dàng thì có nghĩa là pin đang được lắp không đúng cách.

## Hệ thống bảo vệ pin (Pin lithium-ion có dấu sao) (Hình 3)

Pin lithi có dấu sao được trang bị một hệ thống bảo vệ. Hệ thống này sẽ tự động ngắt nguồn cho dụng cụ để tăng tuổi thọ pin.

Dụng cụ sẽ tự động ngừng hoạt động nếu dụng cụ và/hoặc pin ở một trong các điều kiện sau:

- Quá tải:  
Dụng cụ được vận hành theo cách tạo ra dòng điện cao bất thường.  
Trong trường hợp này, hãy trượt công tắc trượt trên dụng cụ về vị trí "O (TẮT)" và ngừng hoạt động khiến dụng cụ bị quá tải. Sau đó trượt lại công tắc trượt về vị trí "I (BẬT)" để khởi động lại. Nếu dụng cụ không khởi động, nghĩa là pin bị quá nhiệt. Trong trường hợp này, hãy để pin nguội bớt trước khi trượt lại công tắc trượt về vị trí "I (BẬT)".
- Điện áp của pin thấp:  
Dung lượng pin còn lại quá thấp và dụng cụ sẽ không hoạt động. Trong trường hợp này, hãy tháo và sạc lại pin.

## Bảo vệ khỏi quá nhiệt

Khi dụng cụ bị quá tải và nhiệt độ dụng cụ đạt đến mức nhất định, dụng cụ sẽ tự động dừng. Trong tình huống này, hãy để dụng cụ nguội trước khi bật lại dụng cụ.

## Cho biết lượng pin còn lại

### Chỉ dành cho các hộp pin có chỉ báo (Hình 4)

Nhấn nút kiểm tra trên hộp pin để biểu thị lượng pin còn lại. Đèn chỉ báo sáng trong vài giây.

Đèn chỉ báo			Lượng pin còn lại
Bật sáng	Tắt	Nhấp nháy	
■ ■ ■ ■			75% đến 100%
■ ■ ■ □			50% đến 75%
■ ■ □ □			25% đến 50%
■ □ □ □			0% đến 25%
▣ □ □ □			Sạc pin.
■ ■ □ □	↑ ↓	■ ■	Pin có thể bị hỏng.

015658

### CHÚ Ý:

- Tùy vào điều kiện sử dụng và nhiệt độ môi trường xung quanh, lượng pin được chỉ báo có thể hơi khác so với lượng pin thực tế.

## Hoạt động của công tắc (Hình 5)

### ⚠ THẬN TRỌNG:

- Trước khi lắp hộp pin vào dụng cụ, luôn kiểm tra xem liệu dụng cụ đã được tắt hay chưa.  
Để khởi động dụng cụ, trượt công tắc trượt về vị trí "I (BẬT)".  
Để dừng dụng cụ, trượt công tắc về vị trí "O (TẮT)".

## Điều chỉnh tốc độ quay (Hình 6)

Tốc độ quay này có thể điều chỉnh được. Để thay đổi tốc độ quay, quay đồng hồ giữa 1 và 6. Số càng cao, tỷ lệ quay càng cao. Quay lại đồng hồ tới số phù hợp với phối.

### CHÚ Ý:

- Đồng hồ không thể quay trực tiếp từ 1 tới 6 hoặc từ 6 về 1. Cố quay đồng hồ có thể làm hỏng dụng cụ. Khi thay đổi hướng của đồng hồ, luôn luôn quay đồng hồ đi qua mỗi số trung gian.

## Đèn báo (Hình 7)

- Khi lượng pin còn lại thấp, đèn báo sẽ nhấp nháy.
- Khi lượng pin còn lại thấp hơn nữa, dụng cụ sẽ ngừng khi đang hoạt động và đèn báo sẽ sáng lên trong khoảng 10 giây.  
Lúc này, hãy tháo hộp pin ra khỏi dụng cụ và sạc pin.

## QUÁ TRÌNH LẮP RÁP

### ⚠ THẬN TRỌNG:

- Luôn chắc chắn rằng dụng cụ đã được tắt nguồn và hộp pin đã được tháo ra trước khi thực hiện bất kỳ công việc nào trên dụng cụ.

## Lắp hoặc tháo dụng cụ ứng dụng (phụ tùng tùy chọn)

### **⚠ CẢNH BÁO:**

- Không lắp ngược dụng cụ ứng dụng. Lắp ngược dụng cụ ứng dụng có thể làm hỏng dụng cụ và gây ra các thương tích cá nhân nghiêm trọng.
- Lắp dụng cụ gắn đúng hướng theo công việc của bạn. Dụng cụ ứng dụng có thể được một góc 30 độ.

### **⚠ THẬN TRỌNG:**

- Cẩn thận khi đóng lấy khoá. Lấy khoá có thể đóng đột ngột và làm kẹt ngón tay của bạn.
  - Thỉnh thoảng lau bụi và thực hiện tra dầu trên bộ phận chuyển động của lấy khoá. Nếu không, bụi có thể tích tụ trong bộ phận chuyển động của lấy khoá và cản trở chuyển động trơn tru của lấy khoá.
  - Không khởi động dụng cụ khi lấy đang mở. Dụng cụ có thể bị hỏng.
1. Mở hết lấy khoá. Và tháo bu lông đỡ. **(Hình 8)**
  2. Để dụng cụ ứng dụng (phụ tùng tùy chọn) trên mặt bích dụng cụ để chỗ lồi ra của mặt bích dụng cụ khớp với các lỗ trong dụng cụ ứng dụng. **(Hình 9)**
  3. Lắp bu lông đỡ cho tới khi dừng. Sau đó, quay lấy khoá về vị trí ban đầu. **(Hình 10)**

Khi sử dụng dụng cụ ứng dụng đánh bóng, gắn dụng cụ ứng dụng lên miếng lót đánh bóng để nó trùng khớp với hướng của miếng lót đánh bóng đó.

Miếng lót đánh bóng có móc và hệ thống khớp loại vành cho phép khớp giấy đánh bóng nhanh chóng và dễ dàng.

Khi các loại giấy đánh bóng có lỗ để hút bụi, hãy gắn giấy đánh bóng để các lỗ trong giấy đánh bóng khớp với các lỗ ở miếng lót đánh bóng.

Để bỏ giấy đánh bóng, nâng nó lên và nhấc ra.

Để tháo bu lông đỡ, hãy thực hiện ngược lại quy trình lắp. **(Hình 11)**

Khi sử dụng các dụng cụ ứng dụng với bất cứ loại bộ phận lắp nào, hãy sử dụng đúng bộ đối nguồn (phụ tùng tùy chọn).

## VẬN HÀNH

### **⚠ CẢNH BÁO:**

- Trước khi khởi động dụng cụ và trong suốt quá trình vận hành, tay và mặt phải tránh dụng cụ ứng dụng.

### **⚠ THẬN TRỌNG:**

- Không làm cho dụng cụ quá tải vì có thể làm cho động cơ khóa và ngừng dụng cụ.

## Cắt, cưa và nạo

### **⚠ THẬN TRỌNG:**

- Không di chuyển cưỡng bức dụng cụ theo hướng đưa dụng cụ (ví dụ: về một trong hai phía) mà không có cạnh cắt. Dụng cụ có thể bị hỏng. **(Hình 12)**

Đặt dụng cụ ứng dụng trên phôi.

Và sau đó di chuyển dụng cụ về phía trước để sự di chuyển của dụng cụ ứng dụng không chậm lại.

### **CHÚ Ý:**

- Cưỡng bức hoặc áp suất quá mức lên dụng cụ có thể làm giảm hiệu quả.
- Trước khi cắt, nên đặt lại tốc độ quay từ 4 – 6.

- Bỏ mùn cưa bằng cách kéo dụng cụ hợp lý. Thao tác này sẽ làm tăng hiệu quả công việc.
- Nên sử dụng cưa tròn để cắt đường thẳng dài.

## Đánh bóng

### **⚠ THẬN TRỌNG:**

- Không sử dụng lại giấy đánh bóng đã được dùng cho kim loại đánh bóng để đánh bóng gỗ.
- Không sử dụng giấy đánh bóng đã mòn hoặc giấy đánh bóng không có đá mát.

Áp dụng giấy đánh bóng lên phôi. **(Hình 13)**

### **CHÚ Ý:**

- Sử dụng mẫu nguyên liệu thử để xác định đúng tốc độ quay phù hợp với công việc của bạn.
- Sử dụng giấy đánh bóng có đá mát tương tự cho đến khi hoàn thành đánh bóng toàn bộ phôi. Thay giấy đánh bóng bằng giấy đánh bóng đá mát khác không thể có được gia công tinh.

## Bộ phận hút bụi (phụ tùng tùy chọn) **(Hình 14)**

- Lắp bộ phận chứa bụi và ống phun mặt cưa.
- Lắp đai vào phun lên dụng cụ này để chỗ lồi ra khớp với các lỗ trong dụng cụ để cố định nó.
- Để đai phớt và miếng lót đánh bóng lên bộ phận chứa bụi và sau đó cố định chúng bằng bu lông lắp dụng cụ ứng dụng. **(Hình 15)**

Khi bạn muốn thực hiện hoạt động làm sạch, hãy nối máy hút bụi với dụng cụ của bạn. Nối ống hút của máy hút bụi vào bộ phận hút bụi (phụ tùng tùy chọn).

## BẢO DƯỠNG

### **⚠ THẬN TRỌNG:**

- Luôn chắc chắn rằng bạn đã tắt nguồn và tháo pin của dụng cụ ra trước khi thực hiện kiểm tra hoặc bảo trì.
- Không bao giờ dùng xăng, ét xăng, dung môi, cồn hoặc hóa chất tương tự. Có thể xảy ra hiện tượng mất màu, biến dạng hoặc nứt vỡ.

Để duy trì ĐỘ AN TOÀN và ĐỘ TIN CẬY của sản phẩm, việc sửa chữa, kiểm tra và thay chổi than cũng như mọi bảo dưỡng hoặc điều chỉnh khác đều phải do Trung tâm Bảo trì Được uỷ quyền của Makita thực hiện, luôn sử dụng các bộ phận thay thế của Makita.

## PHỤ KIỆN TÙY CHỌN

### **⚠ THẬN TRỌNG:**

- Các phụ tùng hoặc phụ kiện này được khuyến nghị sử dụng với dụng cụ Makita của bạn được chỉ định trong tài liệu này. Việc sử dụng bất kỳ phụ tùng hoặc phụ kiện nào khác có thể dẫn đến rủi ro thương tích cho con người. Chỉ sử dụng phụ tùng hoặc phụ kiện với mục đích được nêu.

Nếu bạn cần bất kỳ sự hỗ trợ nào để biết thêm chi tiết về các phụ tùng này, hãy hỏi Trung tâm Bảo trì Makita tại địa phương của bạn.

- Lưỡi cưa phân khúc
- Lưỡi cưa tròn
- Lưỡi cưa cắt nghiêng
- Mũi nạo (cứng)
- Mũi nạo (linh hoạt)

- Lưới phân khúc dạng răng cưa
- Máy cắt nối chung
- Dụng cụ tháo HM
- Lưới cưa phân khúc HM
- Đĩa đánh bóng HM
- Lưới cưa phân khúc dạng hình thoi
- Miếng lót đánh bóng
- Bộ đổi nguồn
- Màu giấy mài mòn (đỏ/trắng/đen)
- Độ phủ (trung bình/kém/không có đá mịn)
- Đánh bóng vùng phốt
- Cờ lê sáu cạnh
- Bộ phận hút bụi
- Pin và bộ sạc chính hãng Makita

**CHÚ Ý:**

- Một số mục trong danh sách có thể được bao gồm trong gói dụng cụ làm các phụ kiện chuẩn. Các mục này ở mỗi quốc gia có thể khác nhau.



**คำอธิบายเกี่ยวกับมุมมองทั่วไป**

- |                      |  |   |
|----------------------|--|---|
| 1. ปุ่ม              | 10. โบลต์ยึด                                 | 18. แหวนล็อกลาด (๑37 มม.)               |
| 2. ส่วนสีแดง         | 11. ก้านล็อก                                 | 19. แผ่นรอง (ที่มีเครื่องหมาย OIS)      |
| 3. ดับเบิลแบตเตอรี่  | 12. รูในเครื่องมือ                           | 20. รูในเครื่องมือ                      |
| 4. เครื่องหมายรูปดาว | 13. ส่วนที่ยื่นออกมาที่หน้าแปลนของเครื่องมือ | 21. ส่วนที่ยื่นออกมาที่แถบหัวฉีด        |
| 5. ไฟแสดงสถานะ       | 14. อแดปเตอร์                                | 22. แหวนรอง                             |
| 6. ปุ่มตรวจสอบ       | 15. แถบหัวฉีด                                | 23. แหวนล็อกลาด (๑47 มม.)               |
| 7. สวิตช์เลื่อน      | 16. หัวฉีดกำจัดฝุ่น                          | 24. แผ่นรอง (ที่มีเครื่องหมาย STARLOCK) |
| 8. ปุ่มหมุน          | 17. ตัวดักฝุ่น                               |   |
| 9. ไฟแสดงสถานะ       |  |   |

**ข้อมูลทางเทคนิค**

รุ่น	DTM41	DTM51
การสิ้นต่อนาที	6,000 - 20,000 (นาที <sup>-1</sup> )	
มุมการสั้น, ซ้าย/ขวา	1.6° (รวม 3.2°)	
ความยาวทั้งหมด	326 - 340 มม.	
น้ำหนักสุทธิ	1.9 - 2.3 มม.	2.0 - 2.4 มม.
อัตราแรงดันไฟฟ้า	14.4 โวลต์กระแสตรง	18 โวลต์กระแสตรง

- เนื่องจากการวิจัยและการพัฒนาของเราเป็นแผนงานต่อเนื่อง ดังนั้นข้อมูลเทคนิคที่ระบุในเอกสารนี้อาจมีการเปลี่ยนแปลงโดยไม่ต้องแจ้งให้ทราบล่วงหน้า
- ข้อมูลเทคนิคและดัดแปลงแบตเตอรี่อาจแตกต่างกันในแต่ละประเทศ
- น้ำหนักอาจจะแตกต่างกันไปตามอุปกรณ์ที่ติดตั้งไว้ รวมถึงดัดแปลงแบตเตอรี่ ชุดประกอบที่เบาที่สุดและหนักที่สุดตามกระบวนการ EPTA 01/2014 จะแสดงไว้ในตาราง

**ดัดแปลงแบตเตอรี่และแท่นชาร์จที่สามารถใช้งานได้**

ดัดแปลงแบตเตอรี่	14.4 โวลต์กระแสตรงรุ่น	BL1415N/BL1430/BL1430B/BL1440/BL1450/BL1460B
	18 โวลต์กระแสตรงรุ่น	BL1815N/BL1820/BL1820B/BL1830/BL1830B/BL1840/BL1840B/BL1850/BL1850B/BL1860B
แท่นชาร์จ		DC18RC/DC18RD/DC18RE/DC18SD/DC18SE/DC18SF

- ดัดแปลงแบตเตอรี่และแท่นชาร์จบางรายการที่ระบุไว้ทางด้านบนอาจไม่มีจำหน่ายในภูมิภาคของคุณ

**⚠ คำเตือน:**

- ใช้แต่ดัดแปลงแบตเตอรี่และแท่นชาร์จที่ระบุไว้ทางด้านบนเท่านั้น การใช้ดัดแปลงแบตเตอรี่และแท่นชาร์จอื่นอาจทำให้ได้รับบาดเจ็บและ/หรือเกิดไฟไหม้ได้

**สัญลักษณ์**

END221-4



.....สวมแว่นตานิรภัย

ต่อไปนี้เป็นสัญลักษณ์ที่ใช้สำหรับอุปกรณ์ โปรดศึกษาความหมาย

ของสัญลักษณ์ให้เข้าใจก่อนการใช้งาน



.....อ่านคู่มือการใช้งาน

**วัตถุประสงค์การใช้งาน**

ENE080-1

เครื่องมือนี้ออกแบบมาเพื่อใช้เลื่อยและตัดไม้, พลาสติก, ยิปซัม, โลหะที่ไม่ใช่เหล็ก และตัวยึด (เช่น ตะปูที่ไม่ได้อบแข็งและลวดเย็บ) และยังสามารถใช้สำหรับการทำงานกับแผ่นกระเบื้องผนังแบบอ่อน และ

การขัดแบบแห้งและการขูดพื้นผิวขนาดเล็ก และเหมาะสมอย่างยิ่ง  
สำหรับการทำงานใกล้กับขอบและการตัดด้วยใบตัด

## คำเตือนด้านความปลอดภัยของ เครื่องมือไฟฟ้าทั่วไป

GEA013-2

**⚠ คำเตือน:** โปรดอ่านคำเตือนด้านความปลอดภัย  
คำแนะนำ

ภาพประกอบ และข้อมูลจำเพาะต่างๆ ที่ปรากฏกับเครื่องมือ  
ไฟฟ้านี้อาจจะละเอียด การไม่ปฏิบัติตามคำแนะนำดังต่อไปนี้  
อาจส่งผลให้เกิดไฟฟ้าช็อต ไฟไหม้ และ/หรือได้รับบาดเจ็บ  
อย่างร้ายแรงได้

### เก็บรักษาคำเตือนและคำแนะนำทั้งหมดไว้เป็น ข้อมูลอ้างอิงในอนาคต

คำว่า "เครื่องมือไฟฟ้า" ในคำเตือนนี้หมายถึงเครื่องมือไฟฟ้า (มีสาย)  
ที่ทำงานโดยใช้กระแสไฟฟ้าหรือเครื่องมือไฟฟ้า (ไร้สาย) ที่ทำงาน  
โดยใช้แบตเตอรี่

### ความปลอดภัยของพื้นที่ทำงาน

1. ดูแลพื้นที่ทำงานให้มีความสะอาดและมีแสงไฟสว่าง  
พื้นที่ที่กระเบื้องกระเบื้องหรือมีดที่อาจนำไปสู่การเกิดอุบัติเหตุได้
2. อย่าใช้งานเครื่องมือไฟฟ้าในสภาพที่อาจเกิดการระเบิด  
เช่น ในสถานที่ที่มีของเหลว ก๊าซ หรือฝุ่นผงที่มีคุณสมบัติ  
ไวไฟ เครื่องมือไฟฟ้าอาจสร้างประกายไฟและจุดชนวนฝุ่นผง  
หรือก๊าซดังกล่าว
3. ดูแลไม่ให้มีเด็ก ๆ หรือบุคคลอื่นอยู่ในบริเวณที่กำลังใช้  
เครื่องมือไฟฟ้า การมีสิ่งรบกวนสมาธิอาจทำให้คุณสูญเสีย  
การควบคุม

### ความปลอดภัยด้านไฟฟ้า

1. ปลั๊กของเครื่องมือไฟฟ้าต้องพอดีกับเต้ารับ อย่าตัดแปลง  
ปลั๊กไม่ว่ากรณีใด ๆ อย่าใช้ปลั๊กถอดเต้ารับกับเครื่องมือ  
ไฟฟ้าที่ต่อสายดิน ปลั๊กที่ไม่ถูกดัดแปลงและเต้ารับที่เข้ากัน  
พอดีจะช่วยลดความเสี่ยงของการเกิดไฟฟ้าช็อต
2. ระมัดระวังให้ร่างกายสัมผัสกับพื้นผิวที่ต่อสายดิน เช่น ท่อ  
เครื่องทำความร้อน เตาหุงต้ม และตู้เย็น มีความเสี่ยงที่จะ  
เกิดไฟฟ้าช็อตสูงขึ้น หากร่างกายของคุณสัมผัสกับพื้น
3. อย่าให้เครื่องมือไฟฟ้าถูกน้ำหรืออยู่ในสภาพเปียกชื้น  
น้ำที่ไหลเข้าไปในเครื่องมือไฟฟ้าจะเพิ่มความเสี่ยงของการ  
เกิดไฟฟ้าช็อต
4. อย่าใช้สายไฟอย่างไม่เหมาะสม อย่าใช้สายไฟเพื่อยก ดึง  
หรือถอดปลั๊กเครื่องมือไฟฟ้า เก็บสายไฟให้ห่างจาก  
ความร้อน น้ำมัน ของมีคม หรือชิ้นส่วนที่เคลื่อนที่ สายที่  
ชำรุดหรือพันกันจะเพิ่มความเสี่ยงของการเกิดไฟฟ้าช็อต
5. ขณะที่ใช้งานเครื่องมือไฟฟ้านอกอาคาร ควรใช้สายต่อ  
พ่วงที่เหมาะสมกับงานภายนอกอาคาร การใช้สายที่

เหมาะสมกับงานภายนอกอาคารจะลดความเสี่ยงของการ  
เกิดไฟฟ้าช็อต

6. หากต้องใช้งานเครื่องมือไฟฟ้าในสถานที่เปียกชื้น ให้ใช้  
อุปกรณ์ป้องกันกระแสไฟฟ้า (RCD) การใช้ RCD จะลด  
ความเสี่ยงของการเกิดไฟฟ้าช็อต
7. เครื่องมือไฟฟ้าอาจสร้างสนามแม่เหล็ก (EMF) ที่ไม่เป็น  
อันตรายต่อผู้ใช้อย่างไรก็ตาม ผู้ใช้ที่ใส่เครื่องกระตุ้นหัวใจ  
และอุปกรณ์ทางการแพทย์ที่คล้ายกันนี้ควรติดต่อผู้ผลิต  
อุปกรณ์และ/หรือแพทย์เพื่อรับคำแนะนำก่อนใช้งานเครื่องมือ  
ไฟฟ้านี้

### ความปลอดภัยส่วนบุคคล

1. ให้ระมัดระวังและมีสติอยู่เสมอขณะใช้งานเครื่องมือไฟฟ้า  
อย่าใช้งานเครื่องมือไฟฟ้าในขณะที่คุณกำลังเหนื่อย หรือ  
ในสภาพที่มีเมฆมาจากยาเสพติด เครื่องดื่ม แอลกอฮอล์  
หรือการใ้ยา ช่วงเวลาที่ขาดความระมัดระวังเมื่อกำลังใช้งาน  
เครื่องมือไฟฟ้าอาจทำให้ได้รับบาดเจ็บร้ายแรง
2. ใช้อุปกรณ์ป้องกันส่วนบุคคล สวมแว่นตาป้องกันเสมอ  
อุปกรณ์ป้องกัน เช่น หน้ากากกันฝุ่น รองเท้ากันภัยกันลื่น  
หมวกกันน็อก หรือเครื่องป้องกันการได้ยินที่ใช้ในสภาพที่  
เหมาะสมจะช่วยลดการบาดเจ็บ
3. ป้องกันไม่ให้เกิดการเปิดใช้งานโดยไม่ตั้งใจ ตรวจสอบ  
ให้แน่ใจว่าสวิตช์ปิดอยู่ก่อนที่จะเชื่อมต่อกับแหล่งจ่ายไฟ  
และ/หรือชุดแบตเตอรี่ รวมทั้งตรวจสอบก่อนการยกหรือ  
เคลื่อนย้ายเครื่องมือ การถอดนิ้วมือบริเวณสวิตช์เพื่อถือ  
เครื่องมือไฟฟ้า หรือการชาร์จไฟเครื่องมือไฟฟ้าในขณะที่เปิด  
สวิตช์อยู่อาจนำไปสู่การเกิดอุบัติเหตุ
4. นำกฎแฉับรับตั้งหรือประแจออกก่อนที่จะเปิดเครื่องมือ  
ไฟฟ้า ประแจหรือกฎแฉับที่เสียบค้างอยู่ในชิ้นส่วนที่หมุนได้  
ของเครื่องมือไฟฟ้าอาจทำให้ได้รับบาดเจ็บ
5. อย่าทำงานในระยะเวลาที่สั้นที่สุด เอื้อม จัดทำการยืนและการ  
ทรงตัวให้เหมาะสมตลอดเวลา เพราะจะทำให้ควบคุม  
เครื่องมือไฟฟ้าได้ดีขึ้นในสถานการณ์ที่ไม่คาดคิด
6. แต่งกายให้เหมาะสม อย่าสวมเครื่องแต่งกายที่หลวม  
เกินไป หรือสวมเครื่องประดับ ดูแลไม่ให้เส้นผมและ  
เสื้อผ้าอยู่ใกล้ชิ้นส่วนที่เคลื่อนที่ เสื้อผ้ารุ่มร่าม เครื่องประดับ  
หรือผมที่มีความยาวอาจเข้าไปติดในชิ้นส่วนที่เคลื่อนที่
7. หากมีการจัดอุปกรณ์สำหรับดูแลและจัดเก็บฝุ่นไว้ใน  
สถานที่ ให้ตรวจสอบว่าได้เชื่อมต่อและใช้งานอุปกรณ์นั้น  
อย่างเหมาะสม การใช้เครื่องดูดและจัดเก็บฝุ่นจะช่วยลด  
อันตรายที่เกิดจากฝุ่นผงได้
8. อย่าให้ความคุ้นเคยจากการใช้งานเครื่องมือเป็นประจำ  
ทำให้คุณทำตามตามสบายและละเลยหลักการเพื่อความปลอดภัยในการใช้เครื่องมือ การกระทำที่ไม่ระมัดระวัง  
อาจทำให้เกิดการบาดเจ็บร้ายแรงภายในเสี้ยววินาที

9. สวมใส่แว่นครอบตานิรภัยเพื่อปกป้องดวงตาของคุณจากการบาดเจ็บเมื่อใช้เครื่องมือไฟฟ้า แว่นครอบตาจะต้องได้มาตรฐาน ANSI Z87.1 ในสหรัฐฯ, EN 166 ในยุโรป หรือ AS/NZS 1336 ในออสเตรเลีย/นิวซีแลนด์ ในออสเตรเลีย/นิวซีแลนด์ จะต้องสวมเกราะป้องกันใบหน้าเพื่อปกป้องใบหน้าของคุณอย่างถูกต้องตามกฎหมาย (ภาพที่ 1) ด้วยผู้ว่าจ้างมีหน้าที่รับผิดชอบในการบังคับผู้ใช้งานเครื่องมือและบุคคลอื่น ๆ ที่อยู่ในบริเวณที่ปฏิบัติงานให้ใช้อุปกรณ์ป้องกันที่เหมาะสม

#### การใช้และดูแลเครื่องมือไฟฟ้า

- อย่าฝืนใช้เครื่องมือไฟฟ้า ใช้เครื่องมือไฟฟ้าที่เหมาะสมกับการใช้งานของคุณ เครื่องมือไฟฟ้าที่เหมาะสมจะทำให้ได้งานที่มีประสิทธิภาพและปลอดภัยกว่าตามขีดความสามารถของเครื่องที่ได้รับการออกแบบมา
- อย่าใช้เครื่องมือไฟฟ้า หากสวิตช์ไม่สามารถเปิดปิดได้ เครื่องมือไฟฟ้าที่ควบคุมด้วยสวิตช์ไม่ได้เป็นสิ่งอันตรายและต้องได้รับการซ่อมแซม
- ถอดปลั๊กจากแหล่งจ่ายไฟ และ/หรือชุดแบตเตอรี่ออกจากเครื่องมือไฟฟ้าก่อนทำการปรับตั้ง เปลี่ยนอุปกรณ์เสริม หรือจัดเก็บเครื่องมือไฟฟ้า วิธีการป้องกันด้านความปลอดภัยดังกล่าวจะช่วยลดความเสี่ยงในการเปิดใช้งานเครื่องมือไฟฟ้าโดยไม่ตั้งใจ
- จัดเก็บเครื่องมือไฟฟ้าที่ไม่ได้ใช้งานให้ห่างจากมือเด็ก และอย่าอนุญาตให้บุคคลที่ไม่คุ้นเคยกับเครื่องมือไฟฟ้าหรือคำแนะนำเหล่านี้ใช้งานเครื่องมือไฟฟ้า เครื่องมือไฟฟ้าจะเป็นอันตรายเมื่ออยู่ในมือของผู้ที่ไม่ได้รับการฝึกอบรม
- บำรุงรักษาเครื่องมือไฟฟ้าและอุปกรณ์เสริม ตรวจสอบการประกอบที่ไม่ถูกต้องหรือการเชื่อมต่อของชิ้นส่วนที่เคลื่อนที่ การแตกหักของชิ้นส่วน หรือสภาพอื่น ๆ ที่อาจส่งผลกระทบต่อการทำงานของเครื่องมือไฟฟ้า หากมีความเสียหาย ให้นำเครื่องมือไฟฟ้าไปซ่อมแซมก่อนการใช้งาน อุบัติเหตุจำนวนมากเกิดจากการดูแลรักษาเครื่องมือไฟฟ้าอย่างไม่ถูกต้อง
- ทำความสะอาดเครื่องมือตัดและลับให้คมอยู่เสมอ เครื่องมือการตัดที่มีการดูแลอย่างถูกต้องและมีขอบการตัดคมมักจะมีความปลอดภัยน้อยและควบคุมได้ง่ายกว่า
- ใช้เครื่องมือไฟฟ้า อุปกรณ์เสริม และวัสดุสิ้นเปลือง ฯลฯ ตามคำแนะนำดังกล่าว พิจารณาสภาพการทำงานและงานที่จะลงมือทำ การใช้เครื่องมือไฟฟ้าเพื่อทำงานอื่นนอกเหนือจากที่กำหนดไว้อาจทำให้เกิดอันตราย
- ดูแลมือจับและบริเวณมือจับให้แห้ง สะอาด และไม่มีน้ำมันและจาระบีเปื้อน มือจับและบริเวณมือจับที่ลื่นจะทำให้ไม่สามารถจับและควบคุมเครื่องมือได้อย่างปลอดภัยในสถานการณ์ที่ไม่คาดคิด

9. ขณะใช้งานเครื่องมือ อย่าสวมใส่ถุงมือผ้าที่อาจเข้าไปติดในเครื่องมือได้ หากถุงมือผ้าเข้าไปติดในชิ้นส่วนที่กำลังเคลื่อนที่ที่อยู่อาจทำให้ได้รับบาดเจ็บ

#### การใช้งานและดูแลเครื่องมือที่ใช้แบตเตอรี่

- ชาร์จไฟใหม่ด้วยเครื่องชาร์จที่ระบุโดยผู้ผลิตเท่านั้น เครื่องชาร์จที่เหมาะสมสำหรับชุดแบตเตอรี่ประเภทหนึ่งอาจเสี่ยงที่จะเกิดไฟไหม้หากนำไปใช้กับชุดแบตเตอรี่ประเภทหนึ่ง
- ใช้เครื่องมือไฟฟ้ากับชุดแบตเตอรี่ที่กำหนดมาโดยเฉพาะเท่านั้น การใช้ชุดแบตเตอรี่ประเภทอื่นอาจทำให้เสี่ยงที่จะได้รับบาดเจ็บและเกิดไฟไหม้
- เมื่อไม่ใช้งานชุดแบตเตอรี่ ให้เก็บห่างจากวัตถุที่เป็นโลหะอื่น ๆ เช่น คลิปหนีบกระดาษ เหรียญ คุกกี้ กระดาษกรรไกรตัดเล็บ สกรู หรือวัตถุที่เป็นโลหะขนาดเล็กอื่น ๆ ที่สามารถเชื่อมต่อชั่วคราวกับอีกขั้วหนึ่งได้ การลัดวงจรขั้วแบตเตอรี่อาจทำให้ร้อนจัดหรือเกิดไฟไหม้
- ในกรณีที่ใช้งานไม่ถูกต้อง อาจมีของเหลวไหลออกจากแบตเตอรี่ ให้หลีกเลี่ยงการสัมผัส หากสัมผัสโดนของเหลวโดยไม่ตั้งใจ ให้ล้างออกด้วยน้ำ หากของเหลวกระเด็นเข้าตา ให้รีบไปพบแพทย์ ของเหลวที่ไหลออกจากแบตเตอรี่อาจทำให้ผิวหนังระคายเคืองหรือไหม้
- ห้ามใช้ชุดแบตเตอรี่หรือเครื่องมือที่ชำรุดหรือมีการแก้ไขแบตเตอรี่ที่เสียหายหรือมีการแก้ไขอาจทำให้เกิดสิ่งที่ไม่ถึงได้ เช่น ไฟไหม้ ระเบิด หรือเสี่ยงต่อการบาดเจ็บ
- ห้ามให้ชุดแบตเตอรี่อยู่ใกล้ไฟ หรือบริเวณที่มีอุณหภูมิสูงเกิน หากโดนไฟ หรืออุณหภูมิสูงเกิน 130 °C อาจก่อให้เกิดการระเบิดได้
- กรุณาปฏิบัติตามคำแนะนำสำหรับการชาร์จไฟ และห้ามชาร์จแบตเตอรี่หรือเครื่องมือในบริเวณที่มีอุณหภูมิ นอกเหนือไปจากที่ระบุในคำแนะนำ การชาร์จไฟที่ไม่เหมาะสม หรืออุณหภูมิ นอกเหนือไปจากช่วงอุณหภูมิที่ระบุในคำแนะนำอาจทำให้แบตเตอรี่เสียหายและเป็นการเพิ่มความเสี่ยงในการเกิดไฟไหม้

#### การซ่อมบำรุง

- นำเครื่องมือไฟฟ้าเข้ารับบริการจากช่างซ่อมที่ผ่านการรับรองโดยช่างมืออาชีพแบบเดียวกันเท่านั้น เพราะจะทำให้การใช้เครื่องมือไฟฟ้ามีความปลอดภัย
- ห้ามใช้ชุดแบตเตอรี่ที่เสียหาย ชุดแบตเตอรี่ที่ใช้ควรเป็นชุดที่มาจากผู้ผลิต หรือผู้ให้บริการที่ได้รับอนุญาตเท่านั้น
- ปฏิบัติตามคำแนะนำในการหล่อลื่นและการเปลี่ยนอุปกรณ์เสริม

# คำเตือนด้านความปลอดภัยของ เครื่องมืออเนกประสงค์ แบบไร้สาย

GEB094-2

1. เครื่องมือไฟฟ้านี้ออกแบบมาเพื่อใช้เลื่อย, ตัด, เจียร และขัด อ่านคำเตือนด้านความปลอดภัย คำแนะนำ ภาพประกอบ และข้อมูลทางเทคนิคทั้งหมดที่มีมากับเครื่องมือไฟฟ้านี้ การไม่ปฏิบัติตามคำแนะนำทั้งหมดที่แสดงอยู่ด้านล่างอาจส่งผลให้เกิดไฟฟ้าช็อต ไฟไหม้ และ/หรือได้รับบาดเจ็บอย่างร้ายแรง
2. ถือเครื่องมืออเนกประสงค์ที่เป็นฉนวนขณะทำงานที่เครื่องมือตัดอาจสัมผัสกับสายไฟที่ซ่อนอยู่ ชิ้นส่วนของเครื่องมือตัดที่สัมผัสกับสายไฟที่ "มีกระแสไฟฟ้าไหลผ่าน" อาจทำให้ส่วนที่เป็นโลหะของเครื่องมือไฟฟ้าที่ไม่มีฉนวนหุ้ม "มีกระแสไฟฟ้าไหลผ่าน" และทำให้ผู้ปฏิบัติงานถูกไฟฟ้าช็อตได้
3. ใช้อุปกรณ์จับยึดหรือวิธีการอื่นที่เหมาะสมเพื่อยึดและค้ำยันชิ้นงานให้แน่นบนฐานรองที่มั่นคง การใช้มือจับชิ้นงานหรือใช้ลำตัวหนีบชิ้นงานไว้จะทำให้ชิ้นงานไม่มั่นคงและอาจทำให้สูญเสียการควบคุมได้
4. สวมแว่นตานิรภัยหรือแว่นกันฝุ่นเสมอ แว่นตานิรภัยหรือแว่นกันแดดไม่สามารถป้องกันอันตรายได้
5. ระวังอย่าให้ตัดโดนตะปู ตรวจสอบชิ้นงานว่ามีตะปูอยู่หรือไม่ และถอนออกก่อนเริ่มทำงาน
6. ถือเครื่องมืออย่างมั่นคง
7. ก่อนที่จะเปิดสวิตช์เครื่อง ต้องตรวจสอบให้แน่ใจว่าเครื่องมือไม่ได้สัมผัสกับชิ้นงาน
8. ระวังอย่าให้มือสัมผัสกับชิ้นส่วนที่หมุนได้
9. อย่าปล่อยให้เครื่องมือทำงานค้างไว้ ใช้งานเครื่องมือในขณะที่ถืออยู่เท่านั้น
10. ตรวจสอบว่าปิดสวิตช์ทุกครั้งและรอจนกว่าใบเลื่อยจะหยุดหมุนสนิทก่อนถอนใบเลื่อยออกจากชิ้นงาน
11. ห้ามสัมผัสกับเครื่องมือหรือชิ้นงานทันทีที่ทำงานเสร็จ เนื่องจากอาจมีความร้อนสูงและลวกผิวหนังของคุณได้
12. อย่าเปิดใช้เครื่องมือโดยไม่ได้ทำงานหาไม่จำเป็น
13. สวมหมวกกันฝุ่น/หมวกกันป้องกันพิษให้เหมาะสมกับวัสดุและการใช้งานที่คุณกำลังทำงานอยู่
14. วัสดุบางอย่างอาจมีสารเคมีที่เป็นพิษ ระวังอย่าสูดดมฝุ่นหรือให้สารเหล่านั้นสัมผัสกับร่างกาย ปฏิบัติตามข้อมูลด้านความปลอดภัยของผู้ผลิตวัสดุ
15. เครื่องมือนี้ไม่มีคุณสมบัติกันน้ำ ดังนั้น อย่าเทน้ำลงบนพื้นผิวของชิ้นงาน
16. เมื่อทำงานขัด ต้องระบายอากาศในบริเวณที่ทำงานให้เพียงพอ
17. การใช้เครื่องมือนี้เพื่อขัดผลิตภัณฑ์บางอย่าง, สี และไม้ อาจทำให้ผู้ใช้สัมผัสกับฝุ่นผงที่มีสารอันตราย ใช้เครื่องป้องกันระบบทางเดินหายใจที่เหมาะสม
18. ก่อนใช้งาน ต้องตรวจสอบให้แน่ใจว่าไม่มีรอยร้าวหรือรอยแตกที่แผ่น รอยร้าวหรือรอยแตกอาจเป็นสาเหตุให้เกิดการบาดเจ็บได้
19. อย่าใช้อุปกรณ์เสริมที่ไม่ได้ออกแบบมาโดยเฉพาะและไม่แนะนำจากผู้ผลิตเครื่องมือนี้ แม้ว่าอุปกรณ์เสริมนี้จะสามารถประกอบเข้ากับเครื่องมือไฟฟ้าได้ แต่ก็ไม่ได้รับประกันว่าการใช้งานจะมีความปลอดภัย
20. สวมใส่อุปกรณ์ป้องกันส่วนบุคคล ใช้หมวกกันป้องกันหน้า แวนครอบตาที่ผูก/ลม หรือแว่นตานิรภัยตามลักษณะการใช้งาน ให้สวมเครื่องป้องกันการได้ยิน, ถุงมือ และชุดป้องกันที่สามารถป้องกันเศษชิ้นงานหรือเศษผงจากการขัดชิ้นเล็ก ๆ ตามความเหมาะสม ชุดป้องกันสายตาดังกล่าวต้องสามารถป้องกันเศษชิ้นงานที่ปลิวอยู่ในอากาศซึ่งเกิดจากการทำงานในรูปแบบต่างๆ หมวกกันฝุ่นหรือหมวกกันป้องกันพิษต้องสามารถกรองอนุภาคเล็ก ๆ ที่เกิดจากการทำงานของคุณ การได้ยินเสียงรบกวนที่มีความดังสูงติดต่อกันเป็นเวลานานอาจทำให้สูญเสียการได้ยิน
21. จัดให้บุคคลรอบข้างอยู่ในระยะห่างที่ปลอดภัยจากพื้นที่การทำงาน บุคคลที่เข้าสู่พื้นที่การทำงานต้องสวมใส่ชุดอุปกรณ์ป้องกัน เศษชิ้นงานหรืออุปกรณ์เสริมที่แตกหักอาจปลิวกระเด็นออกมา และเป็นสาเหตุให้ได้รับบาดเจ็บได้โดยตรงจากพื้นที่การทำงาน
22. อย่าวางเครื่องมือไฟฟ้าลง จนกว่าอุปกรณ์เสริมจะหยุดทำงานจนสนิท อุปกรณ์เสริมที่กำลังหมุนอยู่อาจสัมผัสถูกพื้นและดึงเครื่องมือไฟฟ้าจนหลุดจากการควบคุมของคุณ
23. อย่าเปิดสวิตช์เครื่องมือไฟฟ้า ในขณะที่กำลังถือเครื่องหันมาทางตัวคุณเอง การสัมผัสกับอุปกรณ์เสริมที่กำลังหมุนอยู่โดยไม่ตั้งใจอาจทำให้อุปกรณ์เสริมดังกล่าวเกี่ยวเข้ากับเสื้อผ้าของคุณ ซึ่งจะดึงอุปกรณ์เสริมเข้าหาตัวคุณได้
24. อย่าใช้เครื่องมือไฟฟ้าใกล้วัตถุไวไฟ ประกายไฟอาจทำให้เกิดวัตถุดังกล่าวลุกไหม้
25. อย่าใช้อุปกรณ์เสริมที่ต้องมีน้ำยาหล่อเย็น การใช้น้ำหรือน้ำยาหล่อเย็นอื่นๆ อาจทำให้ได้รับอันตรายจากไฟฟ้าดูดหรือไฟฟ้าช็อต
26. ตรวจสอบว่าปิดสวิตช์และถอดปลั๊กเครื่องแล้ว หรือถอดด้ามแบตเตอรี่ออกก่อนที่จะใช้งานใดๆ กับเครื่อง
27. ตรวจสอบบริเวณที่ยืนให้มีความมั่นคงเสมอ หากใช้งานเครื่องมือในพื้นที่สูง ระวังอย่าให้มันอยู่ด้านล่าง

# เก็บรักษาคำแนะนำเหล่านี้ไว้

## ⚠ คำเตือน:

อย่าให้ความไม่ระมัดระวังหรือความคุ้นเคยกับผลิตภัณฑ์ (จากการใช้งานซ้ำหลายครั้ง) อยู่เหนือการปฏิบัติตามกฎเกณฑ์ด้านความปลอดภัยในการใช้งานผลิตภัณฑ์อย่างเคร่งครัด การปฏิบัติอย่างไม่เหมาะสมหรือการไม่ปฏิบัติตามกฎเกณฑ์ด้านความปลอดภัยในคู่มือการใช้งานนี้อาจก่อให้เกิดการบาดเจ็บอย่างรุนแรง

# คำแนะนำด้านความปลอดภัยที่สำคัญ สำหรับตลับแบตเตอรี่

ENC007-12

1. ก่อนใช้งานตลับแบตเตอรี่ โปรดอ่านคำแนะนำและข้อควรระวังทั้งหมดที่ระบุอยู่ใน (1) แท่นชาร์จแบตเตอรี่ (2) แบตเตอรี่ และ (3) ผลิตภัณฑ์ที่ใช้แบตเตอรี่
  2. อย่าใช้ตลับแบตเตอรี่ที่ถูกแยกชิ้นส่วน
  3. หากอายุการใช้งานสั้นเกินไป ให้หยุดการทำงานทันที เพราะอาจทำให้แบตเตอรี่มีความร้อนมากเกินไป อาจเป็นอันตรายจากการลวกผิวหนัง จนถึงเกิดการระเบิดขึ้นได้
  4. หากอิเล็กทรอนิกส์เข้าสู่ดวงตา ให้ล้างน้ำออก แล้วไปพบแพทย์ทันที เพราะอาจทำให้ดวงตาของคุณสูญเสียการมองเห็นได้
  5. อย่าล้างวงจรตลับแบตเตอรี่:
    - (1) อย่าสัมผัสขั้วแบตเตอรี่ที่มีวัสดุนำไฟฟ้า
    - (2) อย่าจัดเก็บตลับแบตเตอรี่ในภาชนะที่มีวัสดุโลหะอื่น ๆ เช่น ตะปู เหรียญ ฯลฯ
    - (3) อย่าให้ตลับแบตเตอรี่ถูกน้ำหรือฝนแบตเตอรี่ที่ล้างวงจรสามารถให้เกิดการไหลเวียนไฟฟ้าในปริมาณมาก มีความร้อนสูงเกินไป มีอันตรายจากการลวกผิวหนัง จนกระทั่งถึงการชำรุดเสียหายได้
  6. อย่าจัดเก็บเครื่องมือและตลับแบตเตอรี่ในสถานที่ที่มีอุณหภูมิสูงเกินกว่า 50°C (122°F)
  7. อย่านำตลับแบตเตอรี่ไปเผา แม้ว่าตัวแบตเตอรี่จะเสียหายมาก หรือเสื่อมสภาพอย่างสิ้นเชิง เพราะตลับแบตเตอรี่อาจระเบิดในกองไฟ
  8. ระวังประกบไฟทำให้แบตเตอรี่รั่วไหลหรือได้รับการกระทบ
  9. อย่าใช้งานอุปกรณ์เสริมที่ชำรุดเสียหาย
  10. แบตเตอรี่ที่มีลิเทียมไอออนอยู่ในข้อบังคับว่าด้วยสินค้าอันตรายตามกฎหมาย
- สำหรับการขนย้ายเชิงพาณิชย์ เช่น โดยบริษัทภายนอก ตัวแทนจัดส่งสินค้า จะต้องปฏิบัติตามข้อบังคับพิเศษบนบรรจุภัณฑ์และฉลากด้วย

สำหรับการจัดเตรียมสินค้าที่จะจัดส่ง ต้องปรึกษาผู้เชี่ยวชาญด้านวัสดุอันตรายด้วย นอกจากนี้ ให้ปฏิบัติตามข้อบังคับอื่น ๆ ที่ลงรายละเอียดเป็นกรณีๆ ไปของแต่ละประเทศด้วย ให้ปิดเทปหรือคลุมหน้าสัมผัสที่เปิดอยู่ และบรรจุแบตเตอรี่ในลักษณะที่แบตเตอรี่จะไม่สามารถเคลื่อนที่ได้ในบรรจุภัณฑ์

11. ปฏิบัติตามข้อกำหนดในท้องถิ่นเกี่ยวกับการทิ้งแบตเตอรี่ของท่าน
12. ใช้แบตเตอรี่ร่วมกับผลิตภัณฑ์ที่ Makita ระบุเท่านั้น การติดตั้งแบตเตอรี่เข้ากับผลิตภัณฑ์ที่ไม่สามารถใช้งานร่วมกันได้อาจทำให้เกิดไฟไหม้, ความร้อนสูงเกิน, ระเบิด หรือของเหลวในแบตเตอรี่รั่วไหลได้

# เก็บรักษาคำแนะนำเหล่านี้ไว้

⚠ ข้อควรระวัง: ใช้แต่แบตเตอรี่ของแท้ของ Makita เท่านั้น การไม่ใช่แบตเตอรี่ของแท้ของ Makita หรือใช้แบตเตอรี่ที่ผ่านการดัดแปลง อาจทำให้แบตเตอรี่ระเบิด เป็นสาเหตุให้เกิดไฟไหม้, ได้รับบาดเจ็บ และเกิดความเสียหายได้ อีกทั้งยังทำให้การรับประกันเครื่องมือและแท่นชาร์จของ Makita เป็นโมฆะด้วย

## เคล็ดลับในการดูแลรักษาแบตเตอรี่ให้มีอายุการใช้งานสูงสุด

1. ชาร์จตลับแบตเตอรี่ก่อนที่จะคายประจุออกจนหมด ให้หยุดการทำงานของเครื่องและชาร์จตลับแบตเตอรี่ก่อนเสมอเมื่อคุณสังเกตเห็นว่าพลังงานของเครื่องมีน้อยลง
2. อย่าชาร์จตลับแบตเตอรี่ที่มีพลังงานเต็มแล้ว การชาร์จตลับแบตเตอรี่มากเกินไปจะทำอายุการใช้งานของแบตเตอรี่สั้นลง
3. ชาร์จตลับแบตเตอรี่ในอุณหภูมิห้องระหว่าง 10°C - 40°C (50°F - 104°F) ปล่อยให้ตลับแบตเตอรี่ที่มีความร้อนเย็นลงก่อนที่จะชาร์จ
4. ชาร์จตลับแบตเตอรี่ถ้าท่านไม่ได้ใช้เป็นเวลานาน (มากกว่า 6 เดือน)

## คำอธิบายการใช้งาน

### ⚠ คำเตือน:

- ตรวจสอบว่าปิดสวิตช์เครื่องและถอดตลับแบตเตอรี่ออกก่อนทำการปรับเปลี่ยนหรือตรวจสอบการทำงานของเครื่อง การไม่ปิดสวิตช์เครื่องและถอดตลับแบตเตอรี่ออกจากเครื่องก่อนอาจทำให้ได้รับบาดเจ็บหลังจากการที่เครื่องเปิดทำงานโดยไม่ตั้งใจ

## การประกอบหรือการถอดดลับแบตเตอรี่

### (ภาพที่ 2)

#### ⚠ ข้อควรระวัง:

- ปิดสวิตช์เครื่องทุกครั้งก่อนใส่หรือถอดดลับแบตเตอรี่
- ถือเครื่องมือและดลับแบตเตอรี่ให้แน่นในขณะที่ประกอบหรือถอดดลับแบตเตอรี่ การไม่ถือเครื่องมือและดลับแบตเตอรี่ให้แน่นอาจทำให้อุปกรณ์ดังกล่าวลื่นหลุดจากมือของคุณ ซึ่งจะให้เครื่องมือและดลับแบตเตอรี่ชำรุดเสียหายและเกิดการบาดเจ็บได้

ในการถอดดลับแบตเตอรี่ ให้ถอดดลับแบตเตอรี่ออกจากเครื่องโดยการเลื่อนปุ่มที่ด้านหน้าของดลับแบตเตอรี่

ในการใส่ดลับแบตเตอรี่ ให้จัดแนวลิ้นของดลับแบตเตอรี่ให้ตรงกับร่องในฝาครอบเครื่องและเลื่อนให้เข้าที่ ใส่แบตเตอรี่เข้าไปจนสุดจนกว่าจะล็อกเข้าที่สนิทโดยจะได้ยินเสียงดังคลิกเบาๆ หากคุณยังไม่มองเห็นส่วนสีแดงที่อยู่ด้านบนของปุ่ม แสดงว่ายังไม่เข้าที่

#### ⚠ ข้อควรระวัง:

- ใส่ดลับแบตเตอรี่เข้าไปจนสุดจนกว่าจะมองไม่เห็นส่วนสีแดงเสมอ มิฉะนั้น แบตเตอรี่อาจวิ่งหล่นออกจากเครื่องอย่างไม่ตั้งใจและทำให้คุณหรือบุคคลอื่นที่อยู่รอบๆ ได้รับความบาดเจ็บได้
- อย่าฝืนใส่ดลับแบตเตอรี่ หากดลับแบตเตอรี่เลื่อนเข้าไปได้ลำบาก อาจเป็นเพราะใส่แบตเตอรี่ไม่ถูกต้อง

## ระบบการป้องกันแบตเตอรี่

### (แบตเตอรี่ลิเทียมไอออนที่มีเครื่องหมายรูปดาว)

#### (ภาพที่ 3)

แบตเตอรี่ลิเทียมไอออนที่มีเครื่องหมายรูปดาวจะมีระบบการป้องกันติดตั้งอยู่ ระบบนี้จะตัดกระแสไฟที่เข้าไปยังเครื่องมือโดยอัตโนมัติเพื่อหยุดยั้งการใช้งานแบตเตอรี่

เครื่องมืออาจหยุดชะงักระหว่างการทำงาน เมื่อเครื่องมือและ/หรือแบตเตอรี่อยู่ภายใต้สถานการณ์ต่อไปนี้:

- การทำงานหนักเกินไป:  
เครื่องมือถูกใช้งานในลักษณะที่ก่อให้เกิดการดึงกระแสไฟฟ้าสูงผิดปกติ  
ในสถานการณ์นี้ ให้เลื่อนสวิตช์เลื่อนบนเครื่องมือไปที่ตำแหน่ง "O (ปิด)" แล้วหยุดการใช้งานที่ทำให้เครื่องมือต้องทำงานหนักเกินกำลัง จากนั้นจึงเลื่อนสวิตช์เลื่อนไปที่ตำแหน่ง "I (เปิด)" อีกครั้งเพื่อเริ่มต้นการทำงานอีกครั้ง  
หากเครื่องมือไม่เริ่มต้นทำงาน แสดงว่าแบตเตอรี่มีความร้อนสูงเกินไป ในสถานการณ์นี้ ให้ปล่อยให้แบตเตอรี่เย็นลงก่อนที่จะเลื่อนสวิตช์เลื่อนไปที่ตำแหน่ง "I (เปิด)" อีกครั้ง

- แรงดันไฟฟ้าของแบตเตอรี่ต่ำ:

ความจุแบตเตอรี่เหลือน้อยเกินไป และเครื่องมือจะไม่ทำงาน ในสถานการณ์นี้ ให้ถอดและเปลี่ยนแบตเตอรี่

## การป้องกันความร้อนสูงเกิน

















เมื่อเครื่องมือทำงานหนักเกินกำลังและอุณหภูมิของเครื่องมือสูงถึงระดับที่กำหนด เครื่องมือจะหยุดทำงานโดยอัตโนมัติ ในสถานการณ์นี้ ควรปล่อยให้แบตเตอรี่เย็นลงก่อนเปิดใช้งานเครื่องมืออีกครั้ง

## การแสดงความจุไฟฟ้าของแบตเตอรี่ที่ยังคง

### เหลืออยู่

#### เฉพาะสำหรับดลับแบตเตอรี่ที่มีตัวระบุ (ภาพที่ 4)

กดปุ่มตรวจสอบที่ดลับแบตเตอรี่เพื่อแสดงระดับพลังงานแบตเตอรี่ที่เหลืออยู่ ไปแสดงสถานะจะสว่างขึ้นเป็นเวลาสองสามวินาที

ไฟแสดงสถานะ			ระดับพลังงานที่เหลือ
 สว่าง	 ดับ	 กะพริบ	
			75% ถึง 100%
			50% ถึง 75%
			25% ถึง 50%
			0% ถึง 25%
			ชาร์จแบตเตอรี่
			แบตเตอรี่อาจทำงานผิดปกติ

015658

#### หมายเหตุ:

- ปริมาณแบตเตอรี่ที่แสดงอาจแตกต่างจากปริมาณแบตเตอรี่จริงเล็กน้อย ทั้งนี้ขึ้นอยู่กับสภาพการใช้งานและอุณหภูมิแวดล้อม

## การทำงานของสวิตช์ (ภาพที่ 5)

#### ⚠ ข้อควรระวัง:

- ก่อนติดตั้งดลับแบตเตอรี่เข้าในเครื่องมือ ให้ตรวจสอบทุกครั้งว่าได้ปิดสวิตช์เครื่องมือแล้ว

หากต้องการเปิดทำงานเครื่องมือ ให้ปรับสวิตช์เลื่อนไปที่ตำแหน่ง "I (เปิด)"

หากต้องการหยุดการทำงานของเครื่องมือ ให้เลื่อนสวิตช์เลื่อนไปที่ตำแหน่ง "O (ปิด)"

## การปรับอัตราการหมุน (ภาพที่ 6)

สามารถปรับอัตราการหมุนได้ หากต้องการเปลี่ยนอัตราการหมุน ให้หมุนปุ่มหมุนระหว่าง 1 และ 6 โดยตัวเลขยิ่งมากอัตราการหมุนก็จะสูงขึ้น ก่อนทำงาน ให้ตั้งปุ่มหมุนไปยังหมายเลขที่เหมาะสมขึ้นงาน

## หมายเหตุ:

- ปุ่มหมุนจะหมุนโดยตรงจาก 1 ไป 6 หรือจาก 6 ไป 1 เลยไม่ได้ หากฝืนหมุน เครื่องมืออาจเสียหายได้ เมื่อหมุนเปลี่ยนค่าของปุ่มหมุน ให้หมุนผ่านค่าระหว่างหมายเลขที่ต้องการเสมอ

## ไฟแสดงสถานะ (ภาพที่ 7)

- เมื่อความจุแบตเตอรี่คงเหลือเริ่มน้อยลง ไฟแสดงสถานะจะกะพริบ
- เมื่อความจุแบตเตอรี่คงเหลือต่ำมาก เครื่องจะหยุดลงระหว่างการทำงาน และไฟแสดงสถานะจะสว่างขึ้นประมาณ 10 วินาที ในตอนนี ให้ถอดดัดลับแบตเตอรี่ออกจากอุปกรณ์และชาร์จใหม่

## การประกอบ

### ⚠ ข้อควรระวัง:

- ตรวจสอบว่าปัดสวิตช์เครื่องและถอดดัดลับแบตเตอรี่ออกเสมอ ก่อนที่จะใช้งานใดๆ กับเครื่อง

## การประกอบหรือการถอดเครื่องมือออก

### (อุปกรณ์เสริม)

#### ⚠ คำเตือน:

- อย่าติดตั้งเครื่องมือกลับหัว การติดตั้งเครื่องมือกลับหัวอาจทำความเสียหายแก่เครื่องมือและเป็นสาเหตุให้เกิดการบาดเจ็บร้ายแรงได้
- ติดตั้งเครื่องมือประกอบในทิศทางที่ถูกต้องตามงานของคุณ สามารถติดตั้งเครื่องมือโดยทำมุมได้ทุกๆ 30 องศา

#### ⚠ ข้อควรระวัง:

- ระวังตะขวงเมื่อปิดก้านล๊อค ก้านล๊อคอาจปิดอย่างฉับพลันและหนีบนิ้วของคุณได้
  - ทำความสะอาดฝุ่นผงและสิ่งสกปรก และหล่อลื่นชิ้นส่วนที่เคลื่อนที่ได้ของก้านล๊อคเป็นระยะๆ มิฉะนั้น ฝุ่นผงอาจก่อตัวสะสมในส่วนที่เคลื่อนที่ได้ของก้านล๊อคและทำให้ไม่สามารถเคลื่อนที่ได้อย่างรวดเร็ว
  - อย่าเริ่มต้นการทำงานของเครื่องมือในขณะที่ก้านเปิดอยู่ มิฉะนั้น เครื่องมืออาจชำรุดเสียหายได้
1. เปิดก้านล๊อคออกจนสุด และถอดโบลต์ยึดออก (ภาพที่ 8)
  2. ใส่เครื่องมือ (อุปกรณ์เสริม) บนหน้าแปลนของเครื่องมือ เพื่อให้ส่วนที่ยื่นออกมาที่หน้าแปลนของเครื่องมือเข้าไปในเครื่องมือพอดี (ภาพที่ 9)
  3. เสียบโบลต์ยึดเข้าไปจนสุด จากนั้น ให้ปรับก้านล๊อคกลับไปยังตำแหน่งเดิม (ภาพที่ 10)

เมื่อใช้งานเครื่องมือสำหรับขีด ให้ติดเครื่องมือบนแผ่นขีด

ให้พอดีกับทิศทางของแผ่นขีด

แผ่นขีดมีระบบยึดจับแบบตะขอและห่วงซึ่งทำให้สามารถติดตั้งกระดาษทรายได้อย่างง่ายดายและรวดเร็ว

ที่ตัวกระดาษทรายจะมีลึกรับแยกฝุ่น ให้ติดกระดาษทรายให้รู้ในกระดาษทรายพอดีกับรูในแผ่นขีด

หากต้องการนำกระดาษทรายออก ให้ยกขอบขึ้นแล้วลอกออก

หากต้องการถอดโบลต์ยึด ให้ปฏิบัติตามขั้นตอนการประกอบ

ในลำดับย้อนกลับ (ภาพที่ 11)

เมื่อใช้งานเครื่องมือที่มีจุดติดตั้งที่ต่างออกไป ให้ใช้ข้อแคปเตอร์ที่ถูกต้อง (อุปกรณ์เสริม)

## การทำงาน

### ⚠ คำเตือน:

- ก่อนเริ่มใช้งานเครื่องมือและในขณะที่ทำงานอยู่ ต้องให้มือและหน้าของคุณอยู่ห่างจากเครื่องมือ

### ⚠ ข้อควรระวัง:

- อย่าไหลดเครื่องมือมากเกินไป เนื่องจากอาจทำให้มอเตอร์ล๊อคและหยุดหมุนได้

## การตัด, การเลื่อย และการขีด

### ⚠ ข้อควรระวัง:

- อย่าฝืนเลื่อยเครื่องมือไปนทิศทางการทำงานของเครื่องมือ โดยไม่ได้ติดตั้งใบตัด เนื่องจากอาจทำให้เครื่องมือเสียหาย (ภาพที่ 12)

วางเครื่องมือบนชิ้นงาน

จากนั้นจึงเลื่อยเครื่องมือไปทางด้านหน้าเพื่อให้การเคลื่อนที่ของเครื่องมือไม่ช้าลง

## หมายเหตุ:

- การกดหรือแรงกดที่มากเกินไปบนเครื่องมืออาจทำให้ประสิทธิภาพในการทำงานลดลง
- ก่อนทำงานตัด แนะนำให้ตั้งอัตราการหมุนไว้ที่ 4 - 6
- นำข้อเลื่อยออกโดยถอนเครื่องมือออกมาพอประมาณ การทำเช่นนี้จะช่วยเพิ่มประสิทธิภาพในการทำงาน
- แนะนำให้ใช้เลื่อยวงเดือนเพื่อตัดงานเป็นเส้นตรงยาวๆ

## การขีด

### ⚠ ข้อควรระวัง:

- อย่านำกระดาษทรายสำหรับขีดโลหะมาใช้ขีดไม้
- อย่าใช้กระดาษทรายที่สึกหรือกระดาษทรายที่ไม่มีกรวดแล้ว ขีดชิ้นงานด้วยกระดาษทราย (ภาพที่ 13)

## หมายเหตุ:

- แนะนำให้ใช้ชิ้นวัสดุสำหรับทดสอบเพื่อทดลองก่อน เพื่อหาความเร็วรอบที่ถูกต้องเหมาะสมกับชิ้นงานของคุณ
- ใช้กระดาษทรายที่มีความหยาบเท่ากับขีดให้ทั่วชิ้นงานทั้งชิ้น การเปลี่ยนกระดาษทรายที่มีความหยาบต่างกันอาจทำให้ผิวไม่เรียบดี

## การติดตั้งเครื่องแยกฝุ่น (อุปกรณ์เสริม) (ภาพที่ 14)

- ติดตั้งหัวฉีดกำจัดฝุ่นและตัวดักฝุ่น
- ติดตั้งแถบหัวฉีดบนเครื่องมือให้ส่วนที่ยื่นออกมาพอดีอยู่ในรูของเครื่องมือเพื่อยึดให้แน่น
- ใส่แหวนล็อกหลอดและแผ่นขัดบนตัวติดตั้งแล้วยึดให้แน่นด้วยสลักเกลียวสำหรับติดตั้งเครื่องมือ (ภาพที่ 15)

เมื่อคุณต้องการทำความสะอาด ให้เชื่อมต่อเครื่องดูดฝุ่นเข้ากับเครื่องมือของคุณ จากนั้น ให้เชื่อมต่อเครื่องดูดฝุ่นเข้ากับหัวฉีดกำจัดฝุ่น

## การดูแลรักษา

### ⚠️ ข้อควรระวัง:

- ตรวจสอบว่าปิดสวิตช์เครื่องและถอดปลั๊กแบตเตอรี่ออกแล้วก่อนทำการตรวจสอบหรือดูแลรักษาเครื่อง
- อย่าใช้น้ำมันเชื้อเพลิง เบนซิน ทินเนอร์ แอลกอฮอล์ หรือวัสดุประเภทเดียวกัน เพราะอาจทำให้เครื่องมือเสียหาย ฝังรูปทรงหรือแตกหักได้

เพื่อดูแลให้ผลิตภัณฑ์มีความปลอดภัยและไว้วางใจได้ ควรนำส่งผลิตภัณฑ์ให้แก่ศูนย์บริการที่ได้รับอนุญาตของ Makita ดำเนินการซ่อมแซม ตรวจสอบและเปลี่ยนแปลงคาร์บอน ดูแลรักษาหรือทำการปรับเปลี่ยนอื่นๆ และใช้อะไหล่แท้ของ Makita เท่านั้น

## อุปกรณ์เสริม

### ⚠️ ข้อควรระวัง:

- ขอแนะนำให้อุปกรณ์เสริมหรือส่วนประกอบเหล่านี้กับเครื่องมือ Makita ของคุณตามที่ระบุในคู่มือนี้ การใช้อุปกรณ์เสริมหรือส่วนประกอบอื่นอาจทำให้ผู้ใช้ได้รับบาดเจ็บ ใช้อุปกรณ์เสริมหรือส่วนประกอบตามที่ระบุไว้เท่านั้น

หากคุณต้องการทราบรายละเอียดเพิ่มเติมเกี่ยวกับอุปกรณ์เสริมดังกล่าว โปรดสอบถามศูนย์บริการของ Makita ในพื้นที่ของคุณ

- ใบเลื่อยตัด
- ใบเลื่อยวงเดือน
- ใบเลื่อยแบบเลื่อยลึก
- เครื่องขูด (คงตัว)
- เครื่องขูด (ยึดหมุน)
- ใบขูดแบบฟันเลื่อย
- ใบมีดกัดร่อง

- ตัวกำจัดแบบ HM
- ใบเลื่อยตัดแบบ HM
- แผ่นขัดแบบ HM
- ใบตัดแบบเพชร
- แผ่นขัด
- อแดปเตอร์
- กระดาษขัดแบบเคลด้า (แดง/ขาว/ดำ)
- ขนแกะขัดแบบเคลด้า (ปานกลาง/หยาบ/ไม่มีกรวด)
- สลักหลอดขัดแบบเคลด้า
- ประแจหกเหลี่ยม
- การติดตั้งเครื่องแยกฝุ่น
- แบตเตอรี่และแท่นชาร์จของแท้ของ Makita

### หมายเหตุ:

- อุปกรณ์เสริมบางรายการอาจเป็นอุปกรณ์เสริมมาตรฐานที่รวมอยู่ในชุดเครื่องมือแล้ว ทั้งนี้ อาจมีความแตกต่างกันในแต่ละประเทศ

Makita Corporation

3-11-8, Sumiyoshi-cho,  
Anjo, Aichi 446-8502 Japan