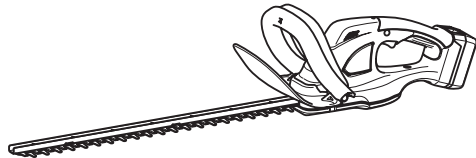




<b>EN</b>	Cordless Hedge Trimmer	<b>INSTRUCTION MANUAL</b>	<b>6</b>
<b>ZHCN</b>	充电式绿篱机	使用说明书	<b>15</b>
<b>ID</b>	Alat Pemotong Tanaman Berdaya Baterai	<b>PETUNJUK PENGGUNAAN</b>	<b>24</b>
<b>MS</b>	Pemangkas Tanaman Pagar Tanpa Kord	<b>MANUAL ARAHAN</b>	<b>34</b>
<b>VI</b>	Máy Tia Hàng Rào Cầm Tay Hoạt Động Bằng Pin	<b>TÀI LIỆU HƯỚNG DẪN</b>	<b>44</b>
<b>TH</b>	เครื่องตัดแต่งพุ่มไม้ไร้สาย	คู่มือการใช้งาน	<b>53</b>

**DUH483**  
**DUH523**



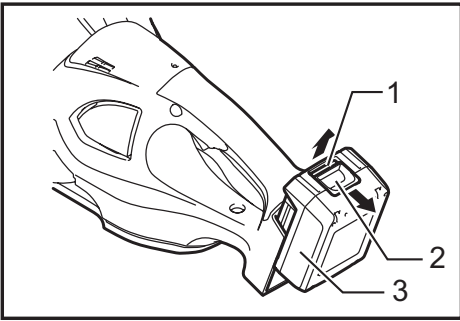


Fig.1

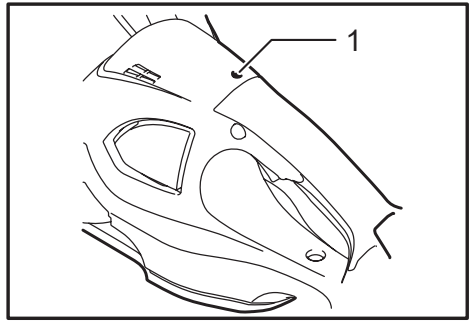


Fig.5

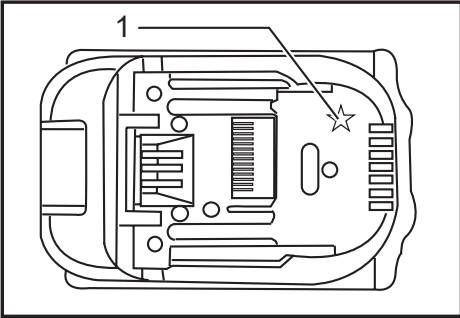


Fig.2

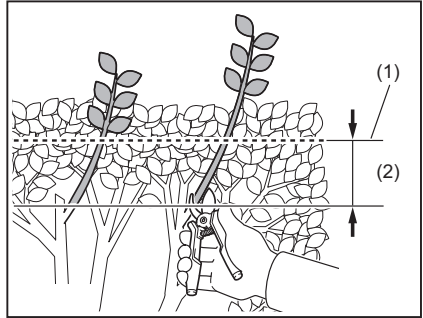


Fig.6

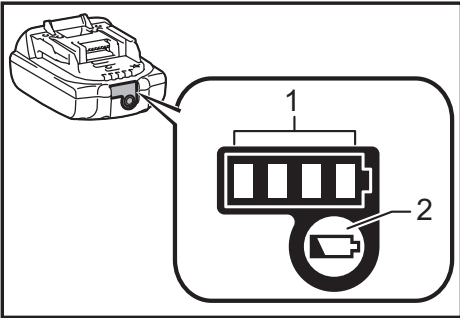


Fig.3

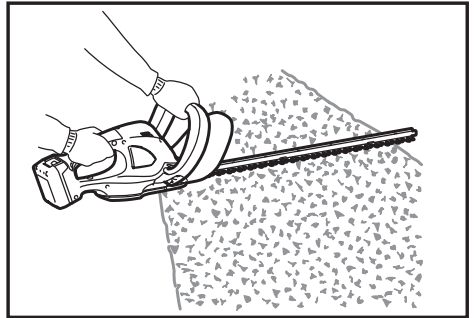


Fig.7

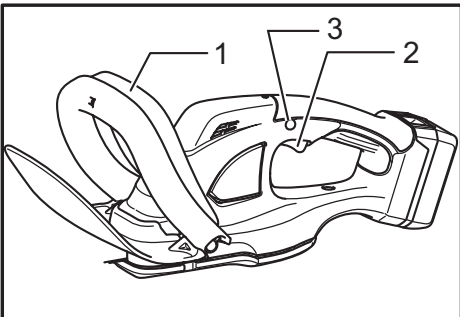


Fig.4

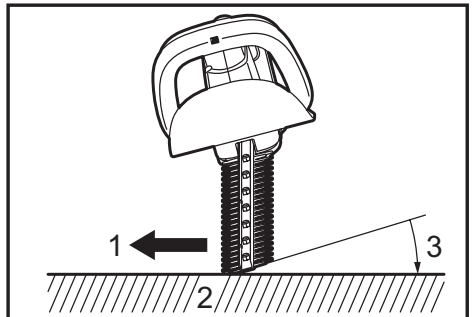


Fig.8

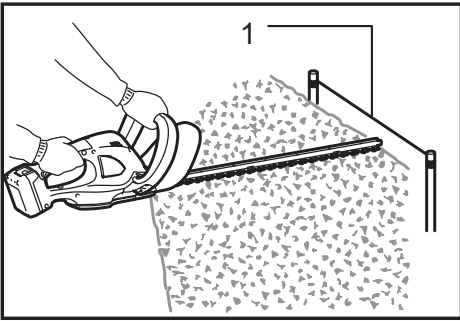


Fig.9

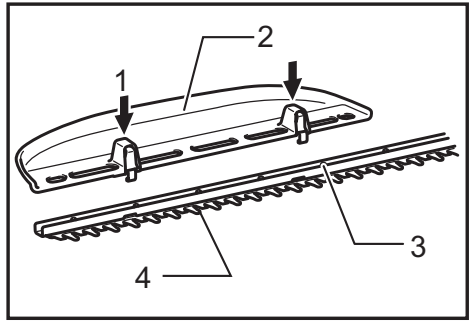


Fig.13

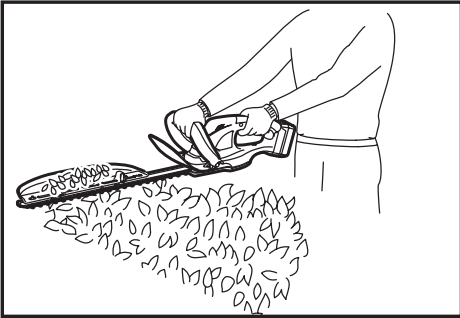


Fig.10

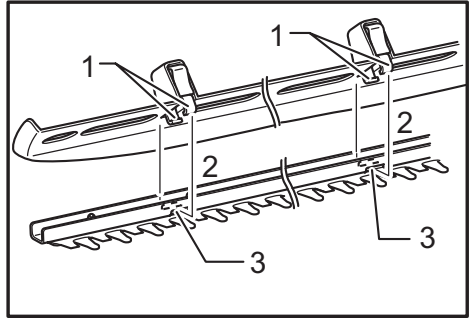


Fig.14

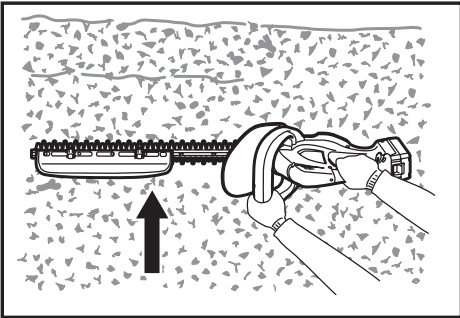


Fig.11

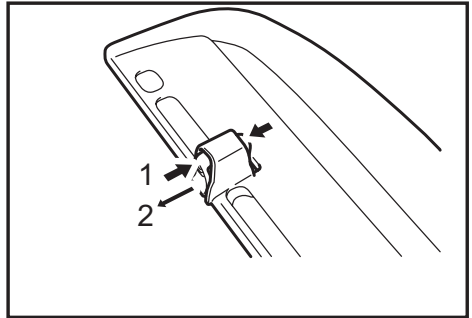


Fig.15

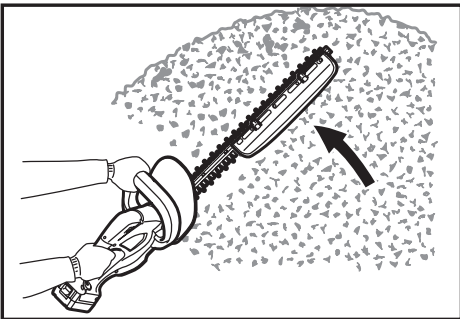


Fig.12

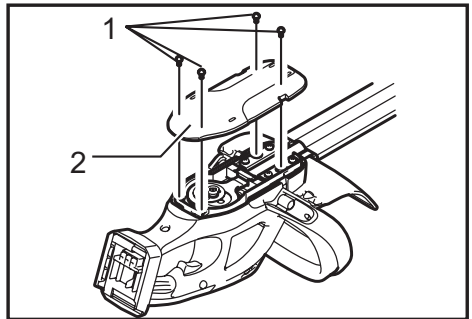


Fig.16

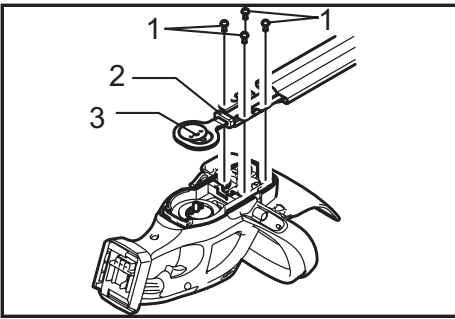


Fig.17

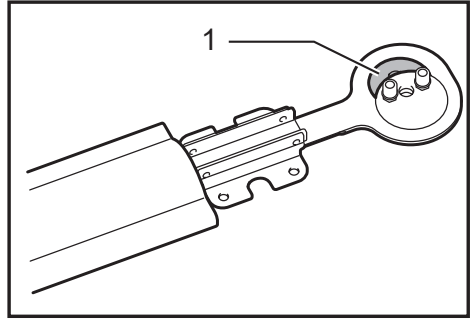


Fig.21

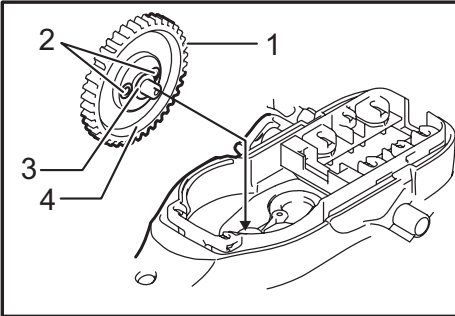


Fig.18

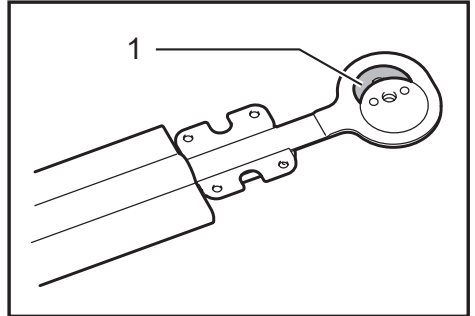


Fig.22

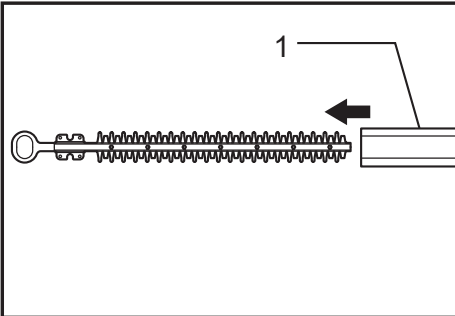


Fig.19

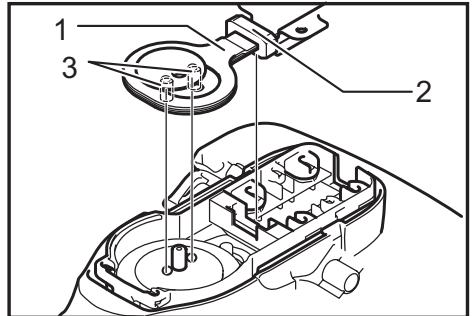


Fig.23

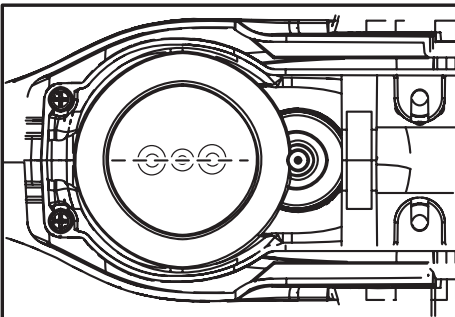


Fig.20

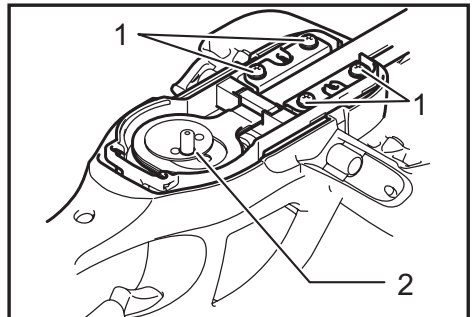


Fig.24

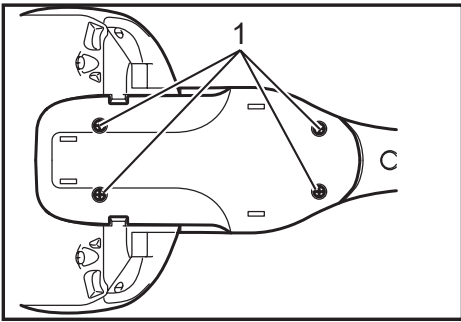


Fig.25

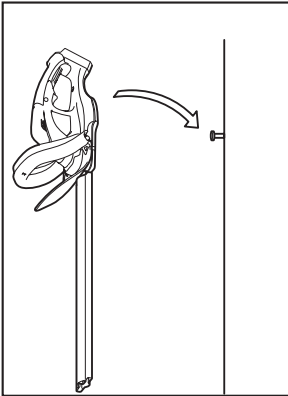


Fig.26

# SPECIFICATIONS

Model	DUH483	DUH523
Blade length	480 mm	520 mm
Strokes per minute (min <sup>-1</sup> )	1,350	
Rated voltage	D.C. 18 V	
Overall length (Depending on the battery)	873 - 888 mm	923 - 938 mm
Net weight	3.0 - 3.3 kg	3.0 - 3.4 kg

- Due to our continuing program of research and development, the specifications herein are subject to change without notice.
- Specifications may differ from country to country.
- The weight may differ depending on the attachment(s), including the battery cartridge. The lightest and heaviest combination, according to EPTA-Procedure 01/2014, are shown in the table.

## Applicable battery cartridge and charger

Battery cartridge	BL1815N / BL1820B / BL1830B / BL1840B / BL1850B / BL1860B
Charger	DC18RC / DC18RD / DC18RE / DC18SD / DC18SE / DC18SF / DC18SH

- Some of the battery cartridges and chargers listed above may not be available depending on your region of residence.

**⚠ WARNING: Only use the battery cartridges and chargers listed above.** Use of any other battery cartridges and chargers may cause injury and/or fire.





## Recommended cord connected power source

Portable power pack	PDC01
---------------------	-------

- The cord connected power source(s) listed above may not be available depending on your region of residence.
- Before using the cord connected power source, read instruction and cautionary markings on them.

## Symbols

The followings show the symbols which may be used for the equipment. Be sure that you understand their meaning before use.

	Read instruction manual.
	Do not expose to moisture.
	Wear eye protection.
	DANGER - Keep hands away from blade.



Only for EU countries  
Due to the presence of hazardous components in the equipment, waste electrical and electronic equipment, accumulators and batteries may have a negative impact on the environment and human health. Do not dispose of electrical and electronic appliances or batteries with household waste!  
In accordance with the European Directive on waste electrical and electronic equipment and on accumulators and batteries and waste accumulators and batteries, as well as their adaptation to national law, waste electrical equipment, batteries and accumulators should be stored separately and delivered to a separate collection point for municipal waste, operating in accordance with the regulations on environmental protection.  
This is indicated by the symbol of the crossed-out wheeled bin placed on the equipment.



Guaranteed sound power level according to EU Outdoor Noise Directive.



Sound power level according to Australia NSW Noise Control Regulation

## Intended use

The tool is intended for trimming hedges.

## General power tool safety warnings

**⚠ WARNING:** Read all safety warnings, instructions, illustrations and specifications provided with this power tool. Failure to follow all instructions listed below may result in electric shock, fire and/or serious injury.

## Save all warnings and instructions for future reference.

The term "power tool" in the warnings refers to your mains-operated (corded) power tool or battery-operated (cordless) power tool.

### Work area safety

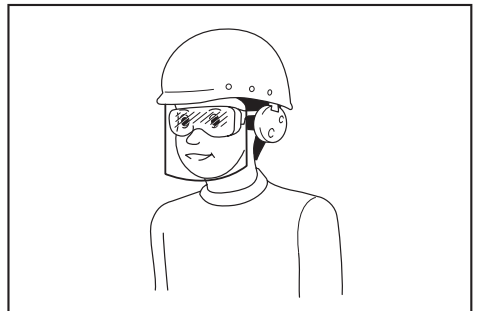
1. **Keep work area clean and well lit.** Cluttered or dark areas invite accidents.
2. **Do not operate power tools in explosive atmospheres, such as in the presence of flammable liquids, gases or dust.** Power tools create sparks which may ignite the dust or fumes.
3. **Keep children and bystanders away while operating a power tool.** Distractions can cause you to lose control.

### Electrical safety

1. **Power tool plugs must match the outlet. Never modify the plug in any way. Do not use any adapter plugs with earthed (grounded) power tools.** Unmodified plugs and matching outlets will reduce risk of electric shock.
2. **Avoid body contact with earthed or grounded surfaces, such as pipes, radiators, ranges and refrigerators.** There is an increased risk of electric shock if your body is earthed or grounded.
3. **Do not expose power tools to rain or wet conditions.** Water entering a power tool will increase the risk of electric shock.
4. **Do not abuse the cord. Never use the cord for carrying, pulling or unplugging the power tool. Keep cord away from heat, oil, sharp edges or moving parts.** Damaged or entangled cords increase the risk of electric shock.
5. **When operating a power tool outdoors, use an extension cord suitable for outdoor use.** Use of a cord suitable for outdoor use reduces the risk of electric shock.
6. **If operating a power tool in a damp location is unavoidable, use a residual current device (RCD) protected supply.** Use of an RCD reduces the risk of electric shock.
7. **Power tools can produce electromagnetic fields (EMF) that are not harmful to the user.** However, users of pacemakers and other similar medical devices should contact the maker of their device and/or doctor for advice before operating this power tool.

### Personal safety

1. **Stay alert, watch what you are doing and use common sense when operating a power tool. Do not use a power tool while you are tired or under the influence of drugs, alcohol or medication.** A moment of inattention while operating power tools may result in serious personal injury.
2. **Use personal protective equipment. Always wear eye protection.** Protective equipment such as a dust mask, non-skid safety shoes, hard hat or hearing protection used for appropriate conditions will reduce personal injuries.
3. **Prevent unintentional starting. Ensure the switch is in the off-position before connecting to power source and/or battery pack, picking up or carrying the tool.** Carrying power tools with your finger on the switch or energising power tools that have the switch on invites accidents.
4. **Remove any adjusting key or wrench before turning the power tool on.** A wrench or a key left attached to a rotating part of the power tool may result in personal injury.
5. **Do not overreach. Keep proper footing and balance at all times.** This enables better control of the power tool in unexpected situations.
6. **Dress properly. Do not wear loose clothing or jewellery. Keep your hair and clothing away from moving parts.** Loose clothes, jewellery or long hair can be caught in moving parts.
7. **If devices are provided for the connection of dust extraction and collection facilities, ensure these are connected and properly used.** Use of dust collection can reduce dust-related hazards.
8. **Do not let familiarity gained from frequent use of tools allow you to become complacent and ignore tool safety principles.** A careless action can cause severe injury within a fraction of a second.
9. **Always wear protective goggles to protect your eyes from injury when using power tools. The goggles must comply with ANSI Z87.1 in the USA, EN 166 in Europe, or AS/NZS 1336 in Australia/New Zealand. In Australia/New Zealand, it is legally required to wear a face shield to protect your face, too.**



It is an employer's responsibility to enforce the use of appropriate safety protective equipments by the tool operators and by other persons in the immediate working area.

### Power tool use and care

1. **Do not force the power tool. Use the correct power tool for your application.** The correct power tool will do the job better and safer at the rate for which it was designed.
2. **Do not use the power tool if the switch does not turn it on and off.** Any power tool that cannot be controlled with the switch is dangerous and must be repaired.
3. **Disconnect the plug from the power source and/or remove the battery pack, if detachable, from the power tool before making any adjustments, changing accessories, or storing power tools.** Such preventive safety measures reduce the risk of starting the power tool accidentally.
4. **Store idle power tools out of the reach of children and do not allow persons unfamiliar with the power tool or these instructions to operate the power tool.** Power tools are dangerous in the hands of untrained users.
5. **Maintain power tools and accessories. Check for misalignment or binding of moving parts, breakage of parts and any other condition that may affect the power tool's operation. If damaged, have the power tool repaired before use.** Many accidents are caused by poorly maintained power tools.
6. **Keep cutting tools sharp and clean.** Properly maintained cutting tools with sharp cutting edges are less likely to bind and are easier to control.
7. **Use the power tool, accessories and tool bits etc. in accordance with these instructions, taking into account the working conditions and the work to be performed.** Use of the power tool for operations different from those intended could result in a hazardous situation.
8. **Keep handles and grasping surfaces dry, clean and free from oil and grease.** Slippery handles and grasping surfaces do not allow for safe handling and control of the tool in unexpected situations.
9. **When using the tool, do not wear cloth work gloves which may be entangled.** The entanglement of cloth work gloves in the moving parts may result in personal injury.

### Battery tool use and care

1. **Recharge only with the charger specified by the manufacturer.** A charger that is suitable for one type of battery pack may create a risk of fire when used with another battery pack.
2. **Use power tools only with specifically designated battery packs.** Use of any other battery packs may create a risk of injury and fire.
3. **When battery pack is not in use, keep it away from other metal objects, like paper clips, coins, keys, nails, screws or other small metal objects, that can make a connection from one terminal to another.** Shorting the battery terminals together may cause burns or a fire.
4. **Under abusive conditions, liquid may be ejected from the battery; avoid contact. If contact accidentally occurs, flush with water. If liquid contacts eyes, additionally seek medical help.** Liquid ejected from the battery may cause irritation or burns.

5. **Do not use a battery pack or tool that is damaged or modified.** Damaged or modified batteries may exhibit unpredictable behaviour resulting in fire, explosion or risk of injury.
6. **Do not expose a battery pack or tool to fire or excessive temperature.** Exposure to fire or temperature above 130 °C may cause explosion.
7. **Follow all charging instructions and do not charge the battery pack or tool outside the temperature range specified in the instructions.** Charging improperly or at temperatures outside the specified range may damage the battery and increase the risk of fire.

### Service

1. **Have your power tool serviced by a qualified repair person using only identical replacement parts.** This will ensure that the safety of the power tool is maintained.
2. **Never service damaged battery packs.** Service of battery packs should only be performed by the manufacturer or authorized service providers.
3. **Follow instruction for lubricating and changing accessories.**

## Cordless Hedge Trimmer Safety Warnings

1. **Keep all parts of the body away from the blade. Do not remove cut material or hold material to be cut when blades are moving.** Blades continue to move after the switch is turned off. A moment of inattention while operating the hedge trimmer may result in serious personal injury.
2. **Carry the hedge trimmer by the handle with the blade stopped and taking care not to operate any power switch.** Proper carrying of the hedge trimmer will decrease the risk of inadvertent starting and resultant personal injury from the blades.
3. **When transporting or storing the hedge trimmer, always fit the blade cover.** Proper handling of the hedge trimmer will decrease the risk of personal injury from the blades.
4. **When clearing jammed material or servicing the unit, make sure all power switches are off and the battery pack is removed or disconnected.** Unexpected actuation of the hedge trimmer while clearing jammed material or servicing may result in serious personal injury.
5. **Hold the hedge trimmer by insulated gripping surfaces only, because the blade may contact hidden wiring.** Blades contacting a "live" wire may make exposed metal parts of the hedge trimmer "live" and could give the operator an electric shock.
6. **Keep all power cords and cables away from cutting area.** Power cords or cables may be hidden in hedges or bushes and can be accidentally cut by the blade.
7. **Do not use the hedge trimmer in bad weather conditions, especially when there is a risk of lightning.** This decreases the risk of being struck by lightning.



# Additional Safety Instructions

## Preparation

1. Check the hedges and bushes for foreign objects, such as wire fences or hidden wiring before operating the tool.
2. The tool must not be used by children or young persons under 18 years of age. Young persons over 16 years of age may be exempted from this restriction if they are undergoing training under the supervision of an expert.
3. First-time users should have an experienced user show them how to use the tool.
4. Use the tool only if you are in good physical condition. If you are tired, your attention will be reduced. Be especially careful at the end of a working day. Perform all work calmly and carefully. The user is responsible for all damages to third parties.
5. Never use the tool when under the influence of alcohol, drugs or medication.
6. Work gloves of stout leather are part of the basic equipment of the tool and must always be worn when working with it. Also wear sturdy shoes with anti-skid soles.
7. Before starting work check to make sure that the tool is in good and safe working order. Ensure guards are fitted properly. The tool must not be used unless fully assembled.

## Operation

1. Hold the tool firmly with both hands when using the tool.
2. The tool is intended to be used by the operator at ground level. Do not use the tool on ladders or any other unstable support.
3. **DANGER** - Keep hands away from blade. Contact with blade will result in serious personal injury.
4. Do not use the tool in the rain or in wet or very damp conditions. The electric motor is not waterproof.
5. Make sure you have a secure footing before starting operation.
6. Do not operate the tool at no-load unnecessarily.
7. Immediately switch off the tool and remove the battery cartridge if the shear blades should come into contact with a fence or other hard object. Check the blades for damage, and if damaged, replace the blades immediately.
8. Before checking the shear blades, taking care of faults, or removing material caught in the shear blades, always switch off the tool and remove the battery cartridge.
9. Never point the shear blades to yourself or others.
10. If the blades stop moving due to the stuck of foreign objects between the blades during operation, switch off the tool and remove the battery cartridge, and then remove the foreign objects using tools such as pliers. Removing the foreign objects by hand may cause an injury for the reason that the blades may move in reaction to removing the foreign objects.

11. Avoid dangerous environment. Don't use the tool in damp or wet locations or expose it to rain. Water entering the tool will increase the risk of electric shock.

## Maintenance and storage

1. Switch off the tool and remove the battery cartridge before doing any maintenance work.
2. When moving the tool to another location, including during work, always remove the battery cartridge and put the blade cover on the shear blades. Never carry or transport the tool with the blades running. Never grasp the blades with your hands.
3. Clean the tool and especially the shear blades after use, and before putting the tool into storage for extended periods. Lightly oil the blades and put on the blade cover.
4. Store the tool with the blade cover on, in a dry room. Keep it out of reach of children. Never store the tool outdoors.
5. Do not dispose of the battery(ies) in a fire. The cell may explode. Check with local codes for possible special disposal instructions.
6. Do not open or mutilate the battery(ies). Released electrolyte is corrosive and may cause damage to the eyes or skin. It may be toxic if swallowed.
7. Do not charge battery in rain, or in wet locations.

## SAVE THESE INSTRUCTIONS.

**⚠WARNING:** DO NOT let comfort or familiarity with product (gained from repeated use) replace strict adherence to safety rules for the subject product. MISUSE or failure to follow the safety rules stated in this instruction manual may cause serious personal injury.

## Important safety instructions for battery cartridge

1. Before using battery cartridge, read all instructions and cautionary markings on (1) battery charger, (2) battery, and (3) product using battery.
2. Do not disassemble or tamper with the battery cartridge. It may result in a fire, excessive heat, or explosion.
3. If operating time has become excessively shorter, stop operating immediately. It may result in a risk of overheating, possible burns and even an explosion.
4. If electrolyte gets into your eyes, rinse them out with clear water and seek medical attention right away. It may result in loss of your eyesight.
5. Do not short the battery cartridge:
  - (1) Do not touch the terminals with any conductive material.
  - (2) Avoid storing battery cartridge in a container with other metal objects such as nails, coins, etc.

- (3) Do not expose battery cartridge to water or rain.

A battery short can cause a large current flow, overheating, possible burns and even a breakdown.

6. Do not store and use the tool and battery cartridge in locations where the temperature may reach or exceed 50 °C (122 °F).
7. Do not incinerate the battery cartridge even if it is severely damaged or is completely worn out. The battery cartridge can explode in a fire.
8. Do not nail, cut, crush, throw, drop the battery cartridge, or hit against a hard object to the battery cartridge. Such conduct may result in a fire, excessive heat, or explosion.
9. Do not use a damaged battery.
10. The contained lithium-ion batteries are subject to the Dangerous Goods Legislation requirements.  
For commercial transports e.g. by third parties, forwarding agents, special requirement on packaging and labeling must be observed.  
For preparation of the item being shipped, consulting an expert for hazardous material is required.  
Please also observe possibly more detailed national regulations.  
Tape or mask off open contacts and pack up the battery in such a manner that it cannot move around in the packaging.
11. When disposing the battery cartridge, remove it from the tool and dispose of it in a safe place. Follow your local regulations relating to disposal of battery.
12. Use the batteries only with the products specified by Makita. Installing the batteries to non-compliant products may result in a fire, excessive heat, explosion, or leak of electrolyte.
13. If the tool is not used for a long period of time, the battery must be removed from the tool.
14. During and after use, the battery cartridge may take on heat which can cause burns or low temperature burns. Pay attention to the handling of hot battery cartridges.
15. Do not touch the terminal of the tool immediately after use as it may get hot enough to cause burns.
16. Do not allow chips, dust, or soil stuck into the terminals, holes, and grooves of the battery cartridge. It may result in poor performance or breakdown of the tool or battery cartridge.
17. Unless the tool supports the use near high-voltage electrical power lines, do not use the battery cartridge near high-voltage electrical power lines. It may result in a malfunction or breakdown of the tool or battery cartridge.
18. Keep the battery away from children.

## SAVE THESE INSTRUCTIONS.

**CAUTION:** Only use genuine Makita batteries. Use of non-genuine Makita batteries, or batteries that have been altered, may result in the battery bursting causing fires, personal injury and damage. It will also void the Makita warranty for the Makita tool and charger.

## Tips for maintaining maximum battery life

1. Charge the battery cartridge before completely discharged. Always stop tool operation and charge the battery cartridge when you notice less tool power.
2. Never recharge a fully charged battery cartridge. Overcharging shortens the battery service life.
3. Charge the battery cartridge with room temperature at 10 °C - 40 °C (50 °F - 104 °F). Let a hot battery cartridge cool down before charging it.
4. When not using the battery cartridge, remove it from the tool or the charger.
5. Charge the battery cartridge if you do not use it for a long period (more than six months).

## FUNCTIONAL DESCRIPTION

### CAUTION:

- Always be sure that the tool is switched off and the battery cartridge is removed before adjusting or checking function on the tool.

## Installing or removing battery cartridge

► Fig.1: 1. Red indicator 2. Button 3. Battery cartridge

### CAUTION:

- Always switch off the tool before installing or removing of the battery cartridge.
- **Hold the tool and the battery cartridge firmly when installing or removing battery cartridge.** Failure to hold the tool and the battery cartridge firmly may cause them to slip off your hands and result in damage to the tool and battery cartridge and a personal injury.

To remove the battery cartridge, slide it from the tool while sliding the button on the front of the cartridge. To install the battery cartridge, align the tongue on the battery cartridge with the groove in the housing and slip it into place. Insert it all the way until it locks in place with a little click. If you can see the red indicator on the upper side of the button, it is not locked completely.

### CAUTION:

- Always install the battery cartridge fully until the red indicator cannot be seen. If not, it may accidentally fall out of the tool, causing injury to you or someone around you.
- Do not install the battery cartridge forcibly. If the cartridge does not slide in easily, it is not being inserted correctly.

## Battery protection system (Lithium-ion battery with star marking)

### ► Fig.2: 1. Star marking

Lithium-ion batteries with a star marking are equipped with a protection system. This system automatically cuts off power to the tool to extend battery life. The tool will automatically stop during operation if the tool and/or battery are placed under one of the following conditions:













- **Overloaded:**  
The tool is operated in a manner that causes it to draw an abnormally high current. In this situation, release the switch trigger on the tool and stop the application that caused the tool to become overloaded. Then pull the switch trigger again to restart. If the tool does not start, the battery is overheated. In this situation, let the battery cool before pulling the switch trigger again.
- **Low battery voltage:**  
The remaining battery capacity is too low and the tool will not operate. In this situation, remove and recharge the battery.

## Indicating the remaining battery capacity

(Only for battery cartridges with "B" at the end of the model number.)

### ► Fig.3: 1. Indicator lamps 2. CHECK button

Press the check button on the battery cartridge to indicate the remaining battery capacity. The indicator lamps light up for few seconds.

Indicator lamps			Remaining capacity
 Lighted	 Off	 Blinking	
			75% to 100%
			50% to 75%
			25% to 50%
			0% to 25%
			Charge the battery.
			The battery may have malfunctioned.
			

### NOTE:

- Depending on the conditions of use and the ambient temperature, the indication may differ slightly from the actual capacity.

## Switch action

### ⚠ CAUTION:

- Before inserting the battery cartridge into the tool, always check to see that the switch trigger actuates properly and returns to the "OFF" position when released.

### ► Fig.4: 1. Switch trigger A 2. Switch trigger B 3. Lock-off button

For your safety, this tool is equipped with a dual switching system. To turn on the tool, press the lock-off button and triggers A and B. Release either one of the two pressed triggers to turn off. The sequence of switching is unimportant as the tool only starts when both switches are activated.

## Indication lamp

### ► Fig.5: 1. Indication lamp

Running the tool allows the indication lamp to show the battery cartridge capacity status. When the tool is also overloaded and has stopped during operation, the lamp lights up in red. Refer to the following table for the status and action to be taken for the indication lamp.

Indication lamp	Status	Action to be taken
The lamp blinks in red.	This indicates the appropriate time to replace the battery cartridge when the battery power becomes low.	Recharge the battery cartridge as soon as possible.
The lamp lights up in red. (Note 1)	This function works when the battery power is almost used up. At this time, tool stops immediately.	Recharge the battery cartridge.
The lamp lights up in red. (Note 1)	Autostop due to overload.	Turn off the tool.

Note 1: The time at which the indication lamp lights up varies by the temperature around the work area and the battery cartridge conditions.

## OPERATION

### ⚠ CAUTION:

- Be careful not to accidentally contact a metal fence or other hard objects while trimming. The blade will break and may cause serious injury.
- Overreaching with a hedge trimmer, particularly from a ladder, is extremely dangerous. Do not work from anything wobbly or infirm.

**NOTICE:** Do not attempt to cut branches thicker than 10 mm in diameter with the tool. Cut branches to 10 cm lower than the cutting height using branch cutters before using the tool.

► Fig.6: (1) Cutting height (2) 10 cm

### ⚠ CAUTION:

- Do not cut off dead trees or similar hard objects. Failure to do so may damage the tool.

► Fig.7

Hold the trimmer with both hands and pull the switch trigger A or B and then move it in front of your body.

► Fig.8: 1. Trimming direction 2. Hedge surface to be trimmed 3. Tilt the blades

As a basic operation, tilt the blades towards the trimming direction and move it calmly and slowly at the speed rate of 3 - 4 seconds per meter.

► Fig.9: 1. String

To cut a hedge top evenly, it helps to tie a string at the desired hedge height and to trim along it, using it as a reference line.

► Fig.10

Attaching the chip receiver (optional accessory) on the tool when trimming the hedge straight can avoid cut off leaves' being thrown away.

► Fig.11

To cut a hedge side evenly, it helps to cut from the bottom upwards.

► Fig.12

Trim boxwood or rhododendron from the base toward the top for a nice appearance and good job.

## Installing or removing chip receiver (optional accessory)

### ⚠ CAUTION:

- Always be sure that the tool is switched off and unplugged before installing or removing chip receiver.

### NOTE:

- When replacing the chip receiver, always wear gloves so that hands and face does not directly contact the blade. Failure to do so may cause personal injury.
- Always be sure to remove the blade cover before installing the chip receiver.
- The chip receiver receives cut-off leaves and alleviates collecting thrown-away leaves. This can be installed on either side of the tool.

► Fig.13: 1. Press 2. Chip receiver 3. Nut 4. Shear blade

Press the chip receiver on the shear blades so that its slits overlap with the nuts on the shear blades.

► Fig.14: 1. Hooks 2. Fit the hooks into groove 3. Grooves

At this time, the chip receiver needs to be installed so that its hooks fit into grooves in the shear blade unit.

► **Fig.15:** 1. Press the levers on both sides 2. Unlock the hooks

To remove the chip receiver, press its lever on both sides so that the hooks are unlocked.

**CAUTION:**

- The blade cover (standard equipment) cannot be installed on the tool with the chip receiver being installed. Before carrying or storing, uninstall the chip receiver and then install the blade cover to avoid blade exposure.

**NOTE:**

- Check the chip receiver for secure installment before use.
- Never try to uninstall the chip receiver by an excessive force with its hooks locked in the blade unit grooves. Using the excessive force may damage it.

## MAINTENANCE

**CAUTION:**

- Always be sure that the tool is switched off and the battery cartridge is removed before attempting to perform inspection or maintenance.

### Cleaning the tool

Clean out the tool by wiping off dust with a dry or soap-dipped rag.

**CAUTION:**

- Never use gasoline, benzine, thinner, alcohol or the like. Discoloration, deformation or cracks may result.

### Blade maintenance

Smear the blade before and once per hour during operation using machine oil or the like.

**NOTE:**

- Before smearing the blade, remove the chip receiver.

After operation, remove dust from both sides of the blade with wired brush, wipe it off with a rag and then apply enough low-viscosity oil, such as machine oil etc. and spray-type lubricating oil.

**CAUTION:**

- Do not wash the blades in water. Failure to do so may cause rust or damage on the tool.

## Removing or installing shear blade

**CAUTION:**

- Before removing or installing shear blade, always be sure that the tool is switched off and the battery cartridge is removed.
- When replacing the shear blade, always wear gloves without removing blade cover so that hands and face does not directly contact the blade. Failure to do so may cause personal injury.

**NOTE:**

- Do not wipe off grease from the gear and crank. Failure to do so may cause damage to the tool.

## Removing the shear blades

► **Fig.16:** 1. Screws 2. Under cover

Reverse the tool and loosen four screws and remove the under cover.

**NOTE:**

- Be careful not to get your hands dirty as grease is applied in the shear blade driving area.

► **Fig.17:** 1. Screws 2. Sponge 3. Washer

Loosen four screws and remove the blades. Remove the washer and sponge from the shear blades and put them aside. They are required for the later installation.

► **Fig.18:** 1. Gear 2. Sleeves 3. Washer 4. Groove

If the sleeves are still left in the holes of the gear, remove the gear and push the sleeves out of it with a screwdriver or the like.

**NOTE:** The washer underneath the gear may come off by mistake when removing the gear. In this case, return it to the original position as it was installed.

## Installing the shear blade

► **Fig.19:** 1. Blade cover

Remove the blade cover from the old shear blades and fit it onto the new ones to avoid contact with blades.

► **Fig.20**

Adjust the hole positions by turning the gear as illustrated.

► **Fig.21:** 1. Grease

► **Fig.22:** 1. Grease

Apply some grease provided with the new shear blades as illustrated.

► **Fig.23:** 1. Blade 2. Sponge 3. Sleeves

Put the removed sponge in the same position as the old one. Make sure that the sleeves provided with the new shear blades are put on the pins of the blade. Place the new shear blades on the tool so that the pins fit in the holes of the gear. If the sleeves on the pins come off mistakenly, put them into the holes of the gear beforehand.

► **Fig.24:** 1. Screws 2. Washer

Install the blade and tighten the four screws and put the removed washer in the same position as the old one.

► **Fig.25:** 1. Screws

Install the under cover on the tool and tighten the four screws firmly.

## Storage

The hook hole in the tool bottom is convenient for hanging the tool from a nail or screw on the wall.

### ► Fig.26

Remove the battery cartridge and put the blade cover on the shear blades so that the blades are not exposed. Store the tool out of the reach of children carefully. Store the tool in the place not exposed to water and rain.

To maintain product SAFETY and RELIABILITY, repairs, any other maintenance or adjustment should be performed by Makita Authorized Service Centers, always using Makita replacement parts.

## OPTIONAL ACCESSORIES

### **▲ CAUTION:**

- These accessories or attachments are recommended for use with your Makita tool specified in this manual. The use of any other accessories or attachments might present a risk of injury to persons. Only use accessory or attachment for its stated purpose.

If you need any assistance for more details regarding these accessories, ask your local Makita Service Center.

- Blade cover
- Shear blade assembly
- Makita genuine battery and charger
- Chip receiver

### **NOTE:**

- Some items in the list may be included in the tool package as standard accessories. They may differ from country to country.

## 规格

型号	DUH483	DUH523
刀片长度	480 mm	520 mm
冲程速度 (/min)	1,350	
额定电压	D.C. 18 V	
长度 (因电池而异)	873 - 888 mm	923 - 938 mm
净重	3.0 - 3.3 kg	3.0 - 3.4 kg

- 生产者保留变更规格不另行通知之权利。
- 规格可能因销往国家之不同而异。
- 重量因附件（包括电池组）而异。根据EPTA-Procedure 01/2014，最重与最轻的组合见表格。

### 适用电池组和充电器

电池组	BL1815N / BL1820B / BL1830B / BL1840B / BL1850B / BL1860B
充电器	DC18RC / DC18RD / DC18RE / DC18SD / DC18SE / DC18SF / DC18SH

- 部分以上所列电池组和充电器是否适用视用户所在地区而异。

**⚠警告：** 请仅使用以上所列电池组和充电器。使用其他类型的电池组或充电器可能会导致人身伤害和 / 或失火。

### 推荐的电电源线连接的电源

便携电源装置	PDC01
--------	-------

- 以上所列的电电源线连接的电源是否适用取决于用户所在地区。
- 在使用电电源线连接的电源之前，请先阅读使用说明和了解相关警示标识。

## 符号

以下显示本设备可能会使用的符号。在使用工具之前，请务必理解其含义。



阅读使用说明书。



勿暴露于潮湿环境。



请佩戴安全眼镜。



危险 - 手应远离刀片。



仅限于欧盟国家  
由于本设备中包含有害成分，因此废弃的电气和电子设备、蓄电池和普通电池可能会对环境和人体健康产生负面影响。请勿将电气和电子工具或电池与家庭普通废弃物放在一起处置！

根据欧洲关于废弃电气电子设备、蓄电池和普通电池的指令及其国家层面的修订法案，废弃的电气设备、普通电池和蓄电池应当单独存放并递送至城市垃圾收集点，根据环保法规进行处置。

此规定由标有叉形标志的带轮垃圾桶符号表示。



保证声功率级别符合欧盟室外噪音指令。



声功率级别符合澳大利亚NSW噪音控制规定

## 用途

本工具用于修剪树篱。

## 电动工具通用安全警告

**警告：** 阅读随电动工具提供的所有安全警告、说明、图示和规定。不遵照以下所列说明会导致电击、着火和 / 或严重伤害。

## 保存所有警告和说明书以备查阅。

警告中的术语“电动工具”是指市电驱动（有线）电动工具或电池驱动（无线）电动工具。

## 工作场地的安全

1. 保持工作场地清洁和明亮。杂乱和黑暗的场地会引发事故。
2. 不要在易爆环境，如有易燃液体、气体或粉尘的环境下操作电动工具。电动工具产生的火花会点燃粉尘或气体。
3. 操作电动工具时，远离儿童和旁观者。注意力不集中会使你失去对工具的控制。

## 电气安全

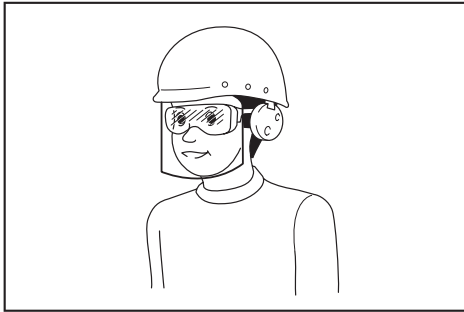
1. 电动工具插头必须与插座相配。绝不能以任何方式改装插头。需接地的电动工具不能使用任何转换插头。未经改装的插头和相配的插座将降低电击风险。
2. 避免人体接触接地表面，如管道、散热片和冰箱。如果你身体接触接地表面会增加电击风险。
3. 不得将电动工具暴露在雨中或潮湿环境中。水进入电动工具将增加电击风险。
4. 不得滥用软线。绝不能用软线搬运、拉动电动工具或拔出其插头。使软线远离热源、油、锐边或运动部件。受损或缠绕的软线会增加电击风险。
5. 当在户外使用电动工具时，使用适合户外使用的延长线。适合户外使用的电线将降低电击风险。
6. 如果无法避免在潮湿环境中操作电动工具，应使用带有剩余电流装置（RCD）保护的电源。RCD的使用可降低电击风险。
7. 电动工具会产生对用户无害的电磁场（EMF）。但是，起搏器和其他类似医疗设备的用户应在操作本电动工具前咨询其设备的制造商和 / 或医生寻求建议。

## 人身安全

1. 保持警觉，当操作电动工具时关注所从事的操作并保持清醒。当你感到疲倦，或在有药物、酒精或治疗反应时，不要操作电动工具。在操作电动工具时瞬间的疏忽会导致严重人身伤害。
2. 使用个人防护装置。始终佩戴护目镜。防护装置，诸如适当条件下使用防尘面具、防滑安全鞋、安全帽、听力防护等装置能减少人身伤害。
3. 防止意外起动。在连接电源和/或电池包、拿起或搬运工具前确保开关处于关断位置。手指放在开关上搬运工具或开关处于接通时通电会导致危险。
4. 在电动工具接通之前，拿掉所有调节钥匙或扳手。遗留在电动工具旋转零件上的扳手或钥匙会导致人身伤害。



5. 手不要过分伸展。时刻注意立足点和身体平衡。这样能在意外情况下能更好地控制住电动工具。
6. 着装适当。不要穿宽松衣服或佩戴饰品。让你的头发和衣服远离运动部件。宽松衣服、佩饰或长发可能会卷入运动部件。
7. 如果提供了与排屑、集尘设备连接用的装置，要确保其连接完好且使用得当。使用集尘装置可降低尘屑引起的危险。
8. 不要因为频繁使用工具而产生的熟悉感而掉以轻心，忽视工具的安全准则。某个粗心的动作可能在瞬间导致严重的伤害。
9. 使用电动工具时请始终佩戴护目镜以免伤害眼睛。护目镜须符合美国ANSI Z87.1、欧洲EN 166或者澳大利亚/新西兰的AS/NZS 1336的规定。在澳大利亚/新西兰，法律要求佩戴面罩保护脸部。
5. 维护电动工具及其附件。检查运动部件是否调整到位或卡住，检查零件破损情况和影响电动工具运行的其他状况。如有损坏，应在使用前修理好电动工具。许多事故是由维护不良的电动工具引发的。
6. 保持切削刀具锋利和清洁。维护良好地有锋利切削刃的刀具不易卡住而且容易控制。
7. 按照使用说明书，并考虑作业条件和要进行的作业来选择电动工具、附件和工具的刀头等。将电动工具用于那些与其用途不符的操作可能会导致危险情况。
8. 保持手柄和握持表面干燥、清洁，不得沾有油脂。在意外的情况下，湿滑的手柄不能保证握持的安全和对工具的控制。
9. 使用本工具时，请勿佩戴可能会缠绕的布质工作手套。布质工作手套卷入移动部件可能会造成人身伤害。



雇主有责任监督工具操作者和其他近工作区域人员佩戴合适的安全防护设备。

#### 电动工具使用和注意事项

1. 不要勉强使用电动工具，根据用途使用合适的电动工具。选用合适的按照额定值设计的电动工具会使你工作更有效、更安全。
2. 如果开关不能接通或关断电源，则不能使用该电动工具。不能通过开关来控制的电动工具是危险的且必须进行修理。
3. 在进行任何调节、更换附件或贮存电动工具之前，必须从电源上拔掉插头和/或卸下电池包（如可拆卸）。这种防护性的安全措施降低了电动工具意外起动的风险。
4. 将闲置不用的电动工具贮存在儿童所及范围之外，并且不允许不熟悉电动工具和不了解这些说明的人操作电动工具。电动工具在未经培训的使用者手中是危险的。

#### 电池式工具使用和注意事项

1. 仅使用生产者规定的充电器充电。将适用于某种电池包的充电器用到其他电池包时可能会发生着火危险。
2. 仅使用配有专用电池包的电动工具。使用其他电池包可能会产生伤害和着火危险。
3. 当电池包不用时，将它远离其他金属物体，例如回形针、硬币、钥匙、钉子、螺钉或其他小金属物体，以防电池包一端与另一端连接。电池组端部短路可能会引起燃烧或着火。
4. 在滥用条件下，液体可能会从电池组中溅出；应避免接触。如果意外碰到液体，用水冲洗。如果液体碰到了眼睛，还应寻求医疗帮助。从电池中溅出的液体可能会发生腐蚀或燃烧。
5. 不要使用损坏或改装过的电池包或工具。损坏或改装过的电池组可能呈现无法预测的结果，导致着火、爆炸或伤害。
6. 不要将电池包暴露于火或高温中。电池包暴露于火或高于130℃的高温中可能导致爆炸。
7. 遵循所有充电说明。不要在说明书中指定的温度范围之外给电池包或电动工具充电。不正确或在指定的温度范围外充电可能会损坏电池和增加着火的风险。

#### 维修

1. 让专业维修人员使用相同的备件维修电动工具。这将保证所维修的电动工具的安全。
2. 决不能维修损坏的电池包。电池包仅能由生产者或其授权的维修服务商进行维修。

3. 上润滑油及更换附件时请遵循本说明书指示。

## 充电式绿篱机使用安全警告

1. 使身体各部位与刀片保持一定距离。当刀片正在移动时，请勿移开切割材料或按住要切割的材料。关闭开关后刀片仍会继续旋转。在操作绿篱机期间，分心可能会导致严重的人身伤害。
2. 在刀片停止后握住把手搬运绿篱机，同时注意避免操作任何电源开关。正确搬运绿篱机可降低因机器意外启动以及由刀片造成人身伤害的风险。
3. 运输或存储绿篱机时，请务必盖上刀片罩。正确操作绿篱机可降低由刀片造成人身伤害的风险。
4. 在清除卡住的材料或维修机器前，请务必关闭所有电源开关，同时将电池组取出或断开其连接。在清除卡住的材料或维修机器时，绿篱机意外启动可能会造成严重的人身伤害。
5. 因为刀片可能会接触到隐藏的电线，操作绿篱机时仅可抓握绝缘把手。刀片接触到“带电”的电线时，绿篱机上曝露的金属部分可能也会“带电”，并使操作者触电。
6. 确保所有电源线和电缆远离切割区域。电源线或电缆可能会隐藏在绿篱和灌木中，因此操作时有可能被刀片意外割断。
7. 请勿在恶劣天气尤其是雷电天气条件下使用绿篱机。这可降低雷击风险。

## 附加安全说明

### 准备

1. 操作工具前，检查绿篱和灌木是否有铁丝网或隐藏电线等异物。
2. 儿童或不满18岁的少年不得使用本工具。超过16岁的少年如果在专业人士的监督下接受过培训，则不受该限制。
3. 用户首次使用时，应委托有经验的用户为其展示如何使用本工具。
4. 请仅在身体状态良好的情况下使用本工具。疲惫会导致使用者注意力下降。在一天的工作快结束时应特别注意这一点。应锁定、谨慎地完成所有工作。给第三方造成的所有损失由用户负责。
5. 在酒精、药物或接受治疗的情况下，切勿使用本工具。

6. 结实的皮革工作手套是本工具的基本装备之一，在操作本工具时必须始终佩戴。同时应穿戴具有防滑底的结实靴。
7. 开始工作之前，请检查确认本工具处于良好并且安全的工作状态。确保保护罩安装到位。在完全安装到位前不得使用本工具。

### 操作

1. 使用工具时，请双手将其握牢。
2. 本工具仅供操作人员在地面上使用。请勿在梯子或其他不稳定支撑物上使用本工具。
3. 危险：手应远离刀片。接触刀片将会造成严重的人身伤害。
4. 请勿在雨中、水中或十分潮湿的环境下使用本工具。电机不防水。
5. 开始操作前请确保立足稳固。
6. 如无必要，请勿在空载状态下操作工具。
7. 如果刀片接触到围栏或其他硬物，请立即关闭工具并取下电池组。检查刀片是否受损，如果受损请立即更换刀片。
8. 检查刀片、处理故障或取出卡在刀片上的材料之前，请务必关闭本工具并取下电池组。
9. 切勿将刀片对准自身或其他人员。
10. 倘若在操作时因刀片之间卡入异物导致刀片停止运转，应关闭工具并取下电池组，然后使用钳子等工具清除异物。用手清除异物可能会造成人身伤害，因在清除异物时刀片可能会移动。
11. 避免危险的环境。请勿在潮湿或淋雨环境下使用工具。工具受潮将增加触电的危险。

### 保养和存放

1. 进行保养工作之前请关闭本工具并取下电池组。
2. 将本工具移至另一个位置时（包括工作期间），请务必取下电池组并为刀片盖上刀片罩。切勿在刀片运转的情况下移动或搬运本工具。切勿用手去抓刀片。
3. 使用之后以及要长期储存本工具之前，请清洁本工具（特别是刀片）。在刀片上抹少量的油，然后盖上刀片罩。
4. 存放工具时，将刀片罩盖上，然后存放在干燥的房间内。将其存放在儿童无法触及的地方。切勿将工具存放于室外。
5. 请勿将电池弃于火中。否则会引起电池爆炸。请查阅当地法规了解适当的特殊处理说明。

6. 请勿打开或拆解电池。溢出的电解质具有腐蚀性，可能会对眼睛或皮肤造成损伤。吞服则有致毒危险。
7. 请勿在雨中或潮湿的地方充电。

## 请保留此说明书。

**警告：** 请勿为图方便或因对产品足够熟悉（由于重复使用而获得的经验）而不严格遵循相关产品安全规则。使用不当或不遵循使用说明书中的安全规则会导致严重的人身伤害。

### 电池组的重要安全注意事项

1. 在使用电池组之前，请仔细阅读所有的说明以及 (1) 电池充电器，(2) 电池，以及 (3) 使用电池的的产品上的警告标记。
2. 切勿拆卸或改装电池组。否则可能引起火灾、过热或爆炸。
3. 如果机器运行时间变得过短，请立即停止使用。否则可能会导致过热、起火甚至爆炸。
4. 如果电解液进入您的眼睛，用清水将其冲洗干净并立即就医。否则可能会导致视力受损。
5. 请勿使电池组短路：
  - (1) 请勿使任何导电材料碰触到端子。
  - (2) 避免将电池组与其他金属物品如钉子、硬币等放置在同一容器内。
  - (3) 请勿将电池组置于水中或使其淋雨。电池短路将产生大的电流，导致过热，并可能导致起火甚至击穿。
6. 请勿在温度可能达到或超过**50°C (122°F)**的场所存放以及使用工具和电池组。
7. 即使电池组已经严重损坏或完全磨损，也请勿焚烧电池组。电池组会在火中爆炸。
8. 请勿对电池组射钉，或者切削、挤压、抛掷、掉落电池组，又或者用硬物撞击电池组。否则可能引起火灾、过热或爆炸。
9. 请勿使用损坏的电池。
10. 本工具附带的锂离子电池需符合危险品法规要求。

第三方或转运营代理等进行商业运输时，应遵循包装和标识方面的特殊要求。有关运输项目的准备作业，咨询危险品方面的专业人士。同时，请遵守可能更为详尽的国家法规。  
请使用胶带保护且勿遮掩表面的联络信息，并牢固封装电池，使电池在包装内不可动。

11. 丢弃电池组时，需将其从工具上卸下并在安全地带进行处理。关于如何处理废弃的电池，请遵循当地法规。
12. 仅将电池用于Makita（牧田）指定的产品。将电池安装至不兼容的产品会导致起火、过热、爆炸或电解液泄漏。
13. 如长时间未使用工具，必须将电池从工具内取出。
14. 使用工具期间以及使用工具之后，电池组温度可能较高易引起灼伤或低温烫伤。处理高温电池组时请小心操作。
15. 在使用工具后请勿立即触碰工具的端子，否则可能引起灼伤。
16. 避免锯屑、灰尘或泥土卡入电池组的端子、孔口和凹槽内。否则可能导致工具或电池组性能下降或故障。
17. 除非工具支持在高压电源线路附近使用，否则请勿在高压电源线路附近使用电池组。否则可能导致工具或电池组故障或失常。
18. 确保电池远离儿童。

## 请保留此说明书。

**小心：** 请仅使用Makita（牧田）原装电池。使用非Makita（牧田）原装电池或经过改装的电池可能会导致电池爆炸，从而造成火灾、人身伤害或物品受损。同时也会导致牧田工具和充电器的牧田保修服务失效。

## 保持电池最大使用寿命的提示

1. 在电池组电量完全耗尽前及时充电。发现工具电量低时，请停止工具操作，并给电池组充电。
2. 请勿对已充满电的电池组重新充电。过度充电将缩短电池的使用寿命。
3. 请在**10 °C - 40 °C (50 °F - 104 °F)**的室温条件下给电池组充电。请在灼热的电池组冷却后再充电。
4. 不使用电池组时，请将其从工具或充电器上拆除。
5. 如果电池组长时间（超过六个月）未使用，请给其充电。

## 功能描述

### ⚠️小心：

- 调节或检查工具功能之前，请务必关闭工具的电源并取出电池组。

## 安装或拆卸电池组

► **图片1:** 1. 红色指示灯 2. 按钮 3. 电池组

### ⚠️小心：

- 安装或拆卸电池组之前，请务必关闭工具电源。
- **安装或拆卸电池组时请握紧工具和电池组。**否则它们可能从您的手中滑落，导致工具和电池组受损，甚至造成人身伤害。

拆卸电池组时，按下电池组前侧的按钮，同时将电池组从工具中抽出。

安装电池组时，要将电池组上的舌簧与外罩上的凹槽对齐，然后推滑到位。将其完全插入到位，直到电池组被锁定并发出卡嗒声为止。如果插入后仍能看到按钮上侧的红色指示灯，则说明电池组未完全锁紧。

### ⚠️小心：

- 务必完全装入电池组，直至看不见红色指示灯。否则它可能会意外从工具中脱落，从而造成自身或他人受伤。
- 请勿强行安装电池组。如果电池组难以插入，可能是插入方法不当。

## 电池保护系统（带星形标志的锂离子电池）

► **图片2:** 1. 星形标志

带星形标志的锂离子电池配有保护系统。该系统可自动切断工具电源以延长电池寿命。作业时，如果工具和 / 或电池处于以下情况时工具将会自动停止运转：

- **过载：**  
以导致异常高电流的方式操作工具。在这种情况下，请松开工具的开关扳机并停止导致工具过载的应用操作。然后重新扣动开关扳机。如果无法启动工具，则说明电池过热。在这种情况下，请待电池冷却后再扣动开关扳机。

- **电池电压低：**  
剩余电池电量过低且工具不运行。在这种情况下，请取下电池并予以充电。

## 显示电池的剩余电量

（仅限型号以字母“B”结尾的电池组）

► **图片3:** 1. 指示灯 2. CHECK（查看）按钮  
按电池组上的CHECK（查看）按钮可显示电池剩余电量。指示灯将亮起数秒。

指示灯			剩余的电池电量
■ 点亮	□ 熄灭	▣ 闪烁	
■ ■ ■ ■ ■			75%至100%
■ ■ ■ □			50%至75%
■ ■ □ □			25%至50%
■ □ □ □			0%至25%
▣ □ □ □			给电池充电。
■ ■ □ □	□ □ ■ ■	↑ ↓	电池可能出现故障。

### 注：

- 在不同的使用条件及环境温度下，指示灯所示电量可能与实际情况略有不同。

## 开关操作

### ⚠️小心：

- 在将电池组插入工具之前，请务必检查开关扳机是否能扣动自如，松开时能否退回至“OFF”（关闭）位置。

► **图片4:** 1. 开关扳机A 2. 开关扳机B 3. 锁止按钮

为了您的安全考虑，该工具配备了双开关系统。要开启工具时，请按锁止按钮和扳机A和B。释放被按下的两个扳机之一可关闭工具。由于工具仅在两个开关都被启动时才会开启，因此该开关序列并不重要。

## 指示灯

### ► 图片5: 1. 指示灯

运行工具时指示灯会显示电池组容量状态。操作期间工具过载并停止时，指示灯会呈红色亮起。有关指示灯的状态和需要采取的措施，请参阅下表。

指示灯	状态	采取的措施
指示灯呈红色闪烁。	表示电池电量不足，应更换电池组。	请尽快给电池组充电。
指示灯呈红色亮起。 (注1)	表示电池电量几乎耗尽。此时，工具会立即停止。	请给电池组充电。
指示灯呈红色亮起。 (注1)	由于过载而自动停止。	关闭工具。

注1: 指示灯亮起的时间会因工作区域周围的温度和电池组的状况而异。

## 操作

### ⚠ 小心:

- 修剪时请小心不要意外接触金属导板或其他硬物。否则刀片会断裂并可能造成严重的人身伤害。
- 拿着绿篱机够着去修剪难以触及的物体（特别是在梯子上的时候）会相当危险。请勿在摇晃或不稳的物体上工作。

**注意:** 请勿用工具剪切直径超过10 mm的树枝。使用树枝剪将枝干修剪至低于切割高度10 cm后，再使用本工具。

### ► 图片6: (1) 切割高度 (2) 10 cm

### ⚠ 小心:

- 请勿切割死树或类似的硬物。否则可能会导致工具受损。

### ► 图片7

用双手握住绿篱机，然后扣动开关扳机A或B，然后将其移至您身体的前方。

### ► 图片8: 1. 修剪方向 2. 要修剪的绿篱表面 3. 倾斜刀片

作为基本操作，将刀片倾斜至修剪方向，然后稳定、缓慢地以3至4秒每米的速度移动工具。

### ► 图片9: 1. 线绳

要均匀剪切绿篱顶部时，可在所需的绿篱高度上拉一根线绳，并将其作为参考线来沿着它进行修剪。

### ► 图片10

笔直修剪绿篱时在工具上安装碎屑接收器（选购附件）可避免剪下的叶子四散。

### ► 图片11

要均匀剪切绿篱侧面时，可从底部朝上剪切。

### ► 图片12

从底部朝顶部修剪黄杨或杜鹃花可获得较美观的外形和效果。

## 安装或拆卸碎屑接收器（选购附件）

### ⚠ 小心:

- 在安装或拆下碎屑接收器之前，请务必关闭工具电源开关并拔下电源插头。

### 注:

- 更换碎屑接收器时，请务必佩戴手套，以免手部和面部直接接触刀片。否则可能会导致人身伤害。
- 安装碎屑接收器之前，请务必拆下刀片罩。
- 碎屑接收器会接收剪下的树叶，便于收集散落的树叶。可安装在工具的任一侧。

### ► 图片13: 1. 按 2. 碎屑接收器 3. 螺母 4. 剪切刀片



将碎屑接收器压在刀片上，使其切口和刀片上的螺母重合。

- **图片14:** 1. 挂钩 2. 挂钩和凹槽啮合 3. 凹槽

此时，需要安装碎屑接收器，使其挂钩和刀片单元上的凹槽啮合。

- **图片15:** 1. 按下两侧的杆 2. 解开挂钩的锁定

要拆卸碎屑接收器时，请按下其两侧的杆，解开挂钩的锁定。

#### ⚠小心：

- 安装了碎屑接收器时，无法在工具上安装刀片罩（标配）。搬运或存放之前，请拆卸碎屑接收器，然后安装刀片罩以免刀片暴露在外面。

#### 注：

- 使用前请检查碎屑接收器是否已稳固安装。
- 在碎屑接收器的挂钩锁定在刀片单元凹槽中时，切勿强行拆卸碎屑接收器。强行拆卸可能会使其受损。

## 保养

#### ⚠小心：

- 检查或保养工具之前，请务必关闭工具电源并取出电池组。

## 清洁工具

用干布或浸有肥皂的布擦掉工具上的灰尘。

#### ⚠小心：

- 切勿使用汽油、苯、稀释剂、酒精或类似物品清洁工具。否则可能会导致工具变色、变形或出现裂缝。

## 刀片保养

操作之前和操作期间（一小时一次）在刀片上涂抹机油或类似产品。

#### 注：

- 在刀片上进行涂抹之前，请拆卸碎屑接收器。

操作后，请用钢丝刷清除刀片两侧的灰尘，用抹布进行擦拭，然后涂抹足够的低粘度油（例如机油等）和喷淋式润滑油。

#### ⚠小心：

- 请勿在水中清洗刀片。否则可能会导致工具生锈或受损。

## 拆卸或安装刀片

#### ⚠小心：

- 拆卸或者安装刀片之前，请务必关闭工具电源并拆下电池组。
- 更换刀片时，请勿拆下刀片罩并务必佩戴手套以免手部和面部直接接触刀片。否则可能会导致人身伤害。

#### 注：

- 请勿擦掉齿轮和曲柄上的油脂。否则可能会导致工具受损。

## 拆卸刀片

- **图片16:** 1. 螺丝 2. 下盖板  
翻转工具，然后拧松四枚螺丝并拆下下盖板。

#### 注：

- 在刀片驱动区域涂抹润滑油时请小心不要弄脏您的手。

- **图片17:** 1. 螺丝 2. 海绵 3. 垫圈

旋松四枚螺丝，拆下刀片。从刀片上拆下垫圈和海绵，然后将其放在一边。在之后的安装中需要用到它们。

- **图片18:** 1. 齿轮 2. 套筒 3. 垫圈 4. 凹槽  
如果套筒仍然留在齿轮孔中，请使用螺丝起子或类似工具拆下齿轮并将套筒推出。

**注：**在拆下齿轮时，位于齿轮下方的垫圈可能由于误操作而脱落。此时，请将其放回安装的原位。

## 安装刀片

- **图片19:** 1. 刀片罩  
从旧的刀片上拆下刀片罩，然后将其安装到新的刀片上，以免接触刀片。

► **图片20**  
如图所示旋转齿轮调节孔位置。

► **图片21:** 1. 润滑脂

► **图片22:** 1. 润滑脂

如图，涂抹一些新刀片附带的润滑脂。

► **图片23:** 1. 刀片 2. 海绵 3. 套筒

将拆下的海绵放在原有刀片的相同位置。确保将新刀片附带的套筒放在刀片的销钉上。将新刀片放在工具上，使销钉和齿轮的孔吻合。如果销钉上的套筒意外脱落，请将其预先放入齿轮的孔中。

► **图片24:** 1. 螺丝 2. 垫圈

安装刀片并拧紧四枚螺丝，将拆下的垫圈放在原有刀片的相同位置。

► **图片25:** 1. 螺丝

将下盖板安装在工具上，并拧紧四枚螺丝。

## 存放

工具底部的钩孔可便于将工具挂在墙壁的钉子或螺丝上。

► **图片26**

拆卸电池组，然后将刀片罩装在刀片上，以免刀片暴露在外。注意将工具存放在儿童无法触及的地方。

将工具存放于不会暴露在水或雨水中的地方。为了保证产品的安全与可靠性，维修、任何其他维修保养或调节需由Makita（牧田）授权的维修服务中心完成。务必使用Makita（牧田）的替换部件。

## 选购附件

### ⚠小心:

- 这些附件或装置专用于本说明书所列的Makita（牧田）电动工具。其他附件或装置的使用可能会有人身伤害风险。仅可将附件或装置用于规定目的。

如您需要了解更多关于这些选购附件的信息，请咨询当地的Makita（牧田）维修服务中心。

- 刀片罩
- 剪切刀片组件
- Makita（牧田）原装电池和充电器
- 碎屑接收器

### 注:

- 本列表中的一些部件可能作为标准附件包含于工具包装内。它们可能因销往国家之不同而异。

## SPEKIFIKASI

Model	DUH483	DUH523
Panjang mata pisau	480 mm	520 mm
Langkah per menit (min <sup>-1</sup> )	1.350	
Tegangan terukur	D.C. 18 V	
Panjang keseluruhan (Bergantung pada baterai)	873 - 888 mm	923 - 938 mm
Berat bersih	3,0 - 3,3 kg	3,0 - 3,4 kg

- Karena kesinambungan program penelitian dan pengembangan kami, spesifikasi yang disebutkan di sini dapat berubah tanpa pemberitahuan.
- Spesifikasi dapat berbeda dari satu negara ke negara lainnya.
- Berat alat mungkin berbeda tergantung perangkat tambahan yang dipasang, termasuk kartrid baterai. Kombinasi alat terberat dan teringan, sesuai Prosedur EPTA 01/2014, ditunjukkan pada tabel.

## Kartrid dan pengisi daya baterai yang dapat digunakan

Kartrid baterai	BL1815N / BL1820B / BL1830B / BL1840B / BL1850B / BL1860B
Pengisi daya	DC18RC / DC18RD / DC18RE / DC18SD / DC18SE / DC18SF / DC18SH

- Beberapa kartrid baterai dan pengisi daya yang tercantum di atas mungkin tidak tersedia, tergantung wilayah tempat tinggal Anda.

**⚠️ PERINGATAN:** Hanya gunakan kartrid dan pengisi daya baterai yang tercantum di atas. Penggunaan kartrid dan pengisi daya baterai lain dapat menimbulkan risiko cedera dan/atau kebakaran.

## Sumber daya terhubung kabel yang direkomendasikan

Paket daya portabel	PDC01
---------------------	-------

- Sumber daya terhubung kabel yang tercantum di atas mungkin tidak tersedia, bergantung pada wilayah tempat tinggal Anda.
- Sebelum menggunakan sumber daya terhubung kabel, baca petunjuk dan perhatian yang ditandai padanya.

## Simbol

Berikut ini adalah simbol-simbol yang dapat digunakan pada peralatan ini. Pastikan Anda memahami arti masing-masing simbol sebelum menggunakan peralatan.



Baca petunjuk penggunaan.



Jangan biarkan lembab.



Gunakan pelindung mata.



BAHAYA - Jauhkan tangan dari mata pisau.



Ni-MH  
Li-ion

Hanya untuk negara-negara UE  
Akibat adanya komponen berbahaya dalam peralatan, limbah peralatan listrik dan elektronik, aki dan baterai dapat memiliki dampak negatif pada lingkungan dan kesehatan manusia.

Jangan buang peralatan listrik dan elektronik atau baterai bersama limbah rumah tangga!  
Sesuai dengan Petunjuk Eropa tentang limbah peralatan listrik dan elektronik dan tentang aki dan baterai serta limbahnya dan baterai, serta penyesuaiannya terhadap undang-undang nasional, limbah peralatan listrik, baterai dan aki harus disimpan secara terpisah dan dikirim ke tempat pengumpulan terpisah untuk sampah kota, beroperasi sesuai dengan peraturan tentang perlindungan lingkungan.  
Hal ini ditunjukkan dengan simbol tempat sampah bersilang yang ditempatkan pada peralatan.



Level kekuatan suara terjamin sesuai dengan Petunjuk Kebisingan Di Luar Ruang Uni Eropa.



Level kekuatan suara sesuai dengan Peraturan Kontrol Kebisingan NSW Australia



## Penggunaan

Mesin ini digunakan untuk memotong tanaman pagar.

## Peringatan keselamatan umum mesin listrik

**⚠️ PERINGATAN:** Bacalah semua peringatan keselamatan, petunjuk, ilustrasi dan spesifikasi yang disertakan bersama mesin listrik ini. Kelalaian untuk mematuhi semua petunjuk yang tercantum di bawah ini dapat menyebabkan sengatan listrik, kebakaran dan/atau cedera serius.

## Simpanlah semua peringatan dan petunjuk untuk acuan di masa depan.

Istilah "mesin listrik" dalam semua peringatan mengacu pada mesin listrik yang dijalankan dengan sumber listrik jala-jala (berkabel) atau baterai (tanpa kabel).

### Keselamatan tempat kerja

1. **Jaga tempat kerja selalu bersih dan berpenerangan cukup.** Tempat kerja yang berantakan dan gelap mengundang kecelakaan.
2. **Jangan gunakan mesin listrik dalam lingkungan yang mudah meledak, misalnya jika ada cairan, gas, atau debu yang mudah menyala.** Mesin listrik menimbulkan bunga api yang dapat menyalakan debu atau uap tersebut.
3. **Jauhkan anak-anak dan orang lain saat menggunakan mesin listrik.** Bila perhatian terpecah, anda dapat kehilangan kendali.

### Keamanan Kelistrikan

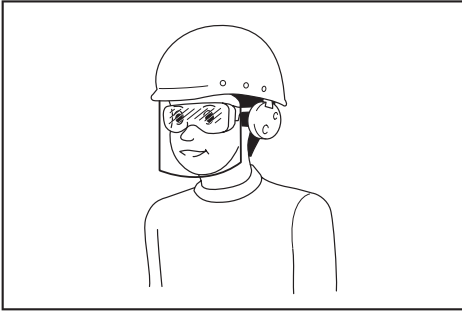
1. **Steker mesin listrik harus cocok dengan stopkontak. Jangan sekali-kali mengubah steker dengan cara apa pun. Jangan menggunakan steker adaptor dengan mesin listrik terbumi (dibumikan).** Steker yang tidak diubah dan stopkontak yang cocok akan mengurangi risiko sengatan listrik.
2. **Hindari sentuhan tubuh dengan permukaan terbumi atau yang dibumikan seperti pipa, radiator, kompor, dan kulkas.** Risiko sengatan listrik bertambah jika tubuh Anda terbumikan atau dibumikan.
3. **Jangan membiarkan mesin listrik kehujanan atau kebasahan.** Air yang masuk ke dalam mesin listrik akan meningkatkan risiko sengatan listrik.
4. **Jangan menyalahgunakan kabel. Jangan sekali-kali menggunakan kabel untuk membawa, menarik, atau mencabut mesin listrik dari stopkontak. Jauhkan kabel dari panas, minyak, tepian tajam, atau bagian yang bergerak.** Kabel yang rusak atau kusut memperbesar risiko sengatan listrik.
5. **Bila menggunakan mesin listrik di luar ruangan, gunakan kabel ekstensi yang sesuai untuk penggunaan di luar ruangan.** Penggunaan kabel yang sesuai untuk penggunaan luar ruangan mengurangi risiko sengatan listrik.

6. **Jika mengoperasikan mesin listrik di lokasi lembap tidak terhindarkan, gunakan pasokan daya yang dilindungi peranti imbasan arus (residual current device - RCD).** Penggunaan RCD mengurangi risiko sengatan listrik.
7. **Mesin listrik dapat menghasilkan medan magnet (EMF) yang tidak berbahaya bagi pengguna.** Namun, pengguna alat pacu jantung atau peralatan medis sejenisnya harus berkonsultasi dengan produsen peralatan tersebut dan/atau dokter mereka sebelum mengoperasikan mesin listrik ini.

### Keselamatan Diri

1. **Jaga kewaspadaan, perhatikan pekerjaan Anda dan gunakan akal sehat bila menggunakan mesin listrik. Jangan menggunakan mesin listrik saat Anda lelah atau di bawah pengaruh obat bius, alkohol, atau obat.** Sekejam saja lalai saat menggunakan mesin listrik dapat menyebabkan cedera badan serius.
2. **Gunakan alat pelindung diri. Selalu gunakan pelindung mata.** Peralatan pelindung seperti masker debu, sepatu pengaman anti-selip, helm pengaman, atau pelindung telinga yang digunakan untuk kondisi yang sesuai akan mengurangi risiko cedera badan.
3. **Cegah penyalaaan yang tidak disengaja. Pastikan bahwa sakelar berada dalam posisi mati (off) sebelum menghubungkan mesin ke sumber daya dan/atau paket baterai, atau mengangkat atau membawanya.** Membawa mesin listrik dengan jari Anda pada sakelarnya atau mengalirkan listrik pada mesin listrik yang sakelarnya hidup (on) akan mengundang kecelakaan.
4. **Lepaskan kunci-kunci penyetel sebelum menghidupkan mesin listrik.** Kunci-kunci yang masih terpasang pada bagian mesin listrik yang berputar dapat menyebabkan cedera.
5. **Jangan meraih terlalu jauh. Jagalah pijakan dan keseimbangan sepanjang waktu.** Hal ini memungkinkan kendali yang lebih baik atas mesin listrik dalam situasi yang tidak diharapkan.
6. **Kenakan pakaian yang memadai. Jangan memakai pakaian yang longgar atau perhiasan. Jaga jarak antara rambut dan pakaian Anda dengan komponen mesin yang bergerak.** Pakaian yang longgar, perhiasan, atau rambut yang panjang dapat tersangkut pada komponen yang bergerak.
7. **Jika tersedia fasilitas untuk menghisap dan mengumpulkan debu, pastikan fasilitas tersebut terhubung listrik dan digunakan dengan baik.** Penggunaan pembersih debu dapat mengurangi bahaya yang terkait dengan debu.
8. **Jangan sampai Anda lengah dan mengabaikan prinsip keselamatan mesin ini hanya karena sudah sering mengoperasikannya dan sudah merasa terbiasa.** Tindakan yang lalai dapat menyebabkan cedera berat dalam sepersekian detik saja.

9. **Selalu kenakan kacamata pelindung untuk melindungi mata dari cedera saat menggunakan mesin listrik. Kacamata harus sesuai dengan ANSI Z87.1 di Amerika Serikat, EN 166 di Eropa, atau AS/NZS 1336 di Australia/Selandia Baru. Di Australia/Selandia Baru, secara hukum Anda juga diwajibkan mengenakan pelindung wajah untuk melindungi wajah Anda.**



**Menjadi tanggung jawab atasan untuk menerapkan penggunaan alat pelindung keselamatan yang tepat bagi operator mesin dan orang lain yang berada di area kerja saat itu.**

#### **Penggunaan dan pemeliharaan mesin listrik**

1. **Jangan memaksa mesin listrik. Gunakan mesin listrik yang tepat untuk keperluan Anda.** Mesin listrik yang tepat akan menuntaskan pekerjaan dengan lebih baik dan aman pada kecepatan sesuai rancangannya.
2. **Jangan gunakan mesin listrik jika sakelar tidak dapat menyala dan memastikannya.** Mesin listrik yang tidak dapat dikendalikan dengan sakelarnya adalah berbahaya dan harus diperbaiki.
3. **Cabut steker dari sumber listrik dan/atau lepas paket baterai, jika dapat dilepas, dari mesin listrik sebelum melakukan penyetelan apa pun, mengganti aksesoris, atau menyimpan mesin listrik.** Langkah keselamatan preventif tersebut mengurangi risiko hidupnya mesin secara tak sengaja.
4. **Simpan mesin listrik jauh dari jangkauan anak-anak dan jangan biarkan orang yang tidak paham mengenai mesin listrik tersebut atau petunjuk ini menggunakan mesin listrik.** Mesin listrik sangat berbahaya di tangan pengguna yang tak terlatih.
5. **Rawatlah mesin listrik dan aksesoris. Periksa apakah ada komponen bergerak yang tidak lurus atau macet, komponen yang pecah, dan kondisi-kondisi lain yang dapat memengaruhi pengoperasian mesin listrik. Jika rusak, perbaiki mesin listrik terlebih dahulu sebelum digunakan.** Banyak kecelakaan disebabkan oleh kurangnya pemeliharaan mesin listrik.
6. **Jaga agar mesin pemotong tetap tajam dan bersih.** Mesin pemotong yang terawat baik dengan mata pemotong yang tajam tidak mudah macet dan lebih mudah dikendalikan.
7. **Gunakan mesin listrik, aksesoris, dan mata mesin, dll. sesuai dengan petunjuk ini, dengan memperhitungkan kondisi kerja dan jenis pekerjaan yang dilakukan.** Penggunaan mesin listrik untuk penggunaan yang lain dari peruntukan dapat menimbulkan situasi berbahaya.
8. **Jagalah agar gagang dan permukaan pegangan tetap kering, bersih, dan bebas dari minyak dan pelumas.** Gagang dan permukaan pegangan yang licin tidak mendukung keamanan penanganan dan pengendalian mesin dalam situasi-situasi tak terduga.
9. **Ketika menggunakan mesin, jangan menggunakan sarung tangan kain yang dapat tersangkut.** Sarung tangan kain yang tersangkut pada komponen bergerak dapat mengakibatkan cedera pada pengguna.

#### **Penggunaan dan pemeliharaan mesin bertenaga baterai**

1. **Isi ulang baterai hanya dengan pengisi daya yang ditentukan oleh pabrik.** Pengisi daya yang cocok untuk satu jenis paket baterai dapat menimbulkan risiko kebakaran ketika digunakan untuk paket baterai yang lain.
2. **Gunakan mesin listrik hanya dengan paket baterai yang telah ditentukan secara khusus.** Penggunaan paket baterai lain dapat menimbulkan risiko cedera dan kebakaran.
3. **Ketika paket baterai tidak digunakan, jauhkan dari benda logam lain, seperti penjepit kertas, uang logam, kunci, paku, sekrup atau benda logam kecil lainnya, yang dapat menghubungkan satu terminal ke terminal lain.** Hubungan singkat terminal baterai dapat menyebabkan luka bakar atau kebakaran.
4. **Pemakaian yang salah, dapat menyebabkan keluarnya cairan dari baterai; hindari kontak. Jika terjadi kontak secara tidak sengaja, bilas dengan air. Jika cairan mengenai mata, cari bantuan medis.** Cairan yang keluar dari baterai bisa menyebabkan iritasi atau luka bakar.
5. **Jangan menggunakan paket baterai atau mesin yang sudah rusak atau telah diubah.** Baterai yang rusak atau telah diubah dapat menyebabkan hal-hal yang tidak dapat diprediksi yang dapat menyebabkan kebakaran, ledakan atau risiko cedera.
6. **Jangan membiarkan paket baterai atau mesin dekat dengan api atau suhu yang berlebihan.** Paparan api atau suhu di atas 130 °C dapat menyebabkan ledakan.
7. **Ikuti semua petunjuk pengisian daya dan jangan mengisi daya paket baterai atau mesin di luar rentang suhu yang ditentukan di panduan.** Mengisi daya secara tidak tepat atau pada suhu di luar rentang yang ditentukan dapat merusak baterai dan meningkatkan risiko kebakaran.

#### **Servis**

1. **Berikan mesin listrik untuk diperbaiki hanya kepada oleh teknisi yang berkualifikasi dengan menggunakan hanya suku cadang pengganti yang serupa.** Hal ini akan menjamin terjaganya keamanan mesin listrik.

2. **Jangan pernah memperbaiki paket baterai yang sudah rusak.** Perbaikan paket baterai harus dilakukan hanya oleh produsen atau penyedia servis resmi.
3. **Patuhi petunjuk pelumasan dan penggantian aksesoris.**

## Peringatan Keselamatan Alat Pemotong Tanaman Tanpa Kabel

1. **Jauhkan bagian tubuh Anda dari bilah pisau. Jangan ambil material pemotongan atau penahan saat bilah pisau bergerak.** Bilah pisau masih tetap berputar setelah sakelar dimatikan. Cedera serius dapat terjadi meskipun sesaat saja Anda lalai ketika menggunakan alat pemotong tanaman.
2. **Bawa alat pemotong tanaman dengan gagangnya dengan kondisi bilah pisau berhenti dan hati-hatilah, jangan sampai Anda mengaktifkan sakelar daya apa pun.** Membawa alat pemotong tanaman dengan benar akan mengurangi risiko awal akibat kelalaian dan cedera pribadi yang diakibatkan oleh bilah pisau.
3. **Ketika membawa atau menyimpan alat pemotong tanaman, selalu pasang penutup bilah pisau.** Penanganan alat pemotong tanaman yang benar akan mengurangi risiko cedera pribadi yang diakibatkan oleh bilah pisau.
4. **Saat membersihkan bahan yang macet atau memperbaiki unit, pastikan semua sakelar daya mati dan baterai dilepas atau tidak tersambung.** Aktuasi tak terduga dari alat pemotong tanaman saat pengguna membersihkan material yang macet atau melakukan servis dapat mengakibatkan cedera pribadi yang serius.
5. **Pegang alat pemotong tanaman hanya pada permukaan genggam yang terisolasi, karena bilah pisau mungkin bersentuhan dengan kawat atau kabel tersembunyi.** Bilah pisau yang menyentuh kawat "beraliran listrik" dapat menyebabkan bagian logam pada alat pemotong tanaman teraliri arus listrik dan menyengat pengguna.
6. **Jauhkan semua kabel daya dan kabel dari area pemotongan.** Kabel daya atau kabel bisa jadi tersembunyi di pagar atau semak-semak dan dapat terpotong secara tidak sengaja oleh bilah pisau.
7. **Jangan gunakan alat pemotong tanaman saat kondisi cuaca buruk, terutama jika terdapat risiko sambaran petir.** Hal ini akan mengurangi risiko disambar petir.

## Petunjuk Keselamatan Tambahan

### Persiapan

1. **Periksa tanaman pagar dan belukar apakah ada benda asing di dalamnya, seperti pagar kawat atau kawat yang tersembunyi sebelum mengoperasikan alat.**
2. **Mesin ini tidak boleh digunakan oleh anak-anak atau usia di bawah 18 tahun.** Orang dengan usia di atas 16 tahun diperbolehkan menggunakan mesin ini hanya jika telah menjalani pelatihan dengan pengawasan ahli.

3. **Pengguna awam harus meminta bantuan orang yang berpengalaman untuk menunjukkan cara menggunakan mesin tersebut.**
4. **Hanya gunakan mesin ketika kondisi fisik Anda baik.** Apabila Anda lelah, perhatian Anda mungkin dapat menurun. Berhati-hatilah ketika hari kerja hampir berakhir. Lakukan semua pekerjaan dengan tenang dan hati-hati. Pengguna bertanggung jawab atas semua kerusakan yang terjadi pada pihak ketiga.
5. **Jangan pernah menggunakan mesin jika Anda berada dalam pengaruh alkohol, obat-obatan, atau dalam masa pengobatan.**
6. **Sarung tangan kerja dengan bahan kulit merupakan perlengkapan standar untuk mesin tersebut dan harus selalu dikenakan ketika menggunakan pemotong.** Kenakan juga sepatu yang kuat dengan sol anti-selip.
7. **Sebelum memulai kerja, periksa dan pastikan mesin berada pada kondisi yang baik dan aman.** Pastikan seluruh pelindung terpasang dengan benar. Mesin ini tidak boleh digunakan kecuali telah terpasang dengan lengkap.

### Pengoperasian

1. **Pegang mesin kuat-kuat dengan kedua tangan saat menggunakannya.**
2. **Mesin ini dirancang untuk digunakan oleh operator di permukaan tanah.** Jangan gunakan mesin ini di tangga atau permukaan lain yang tidak stabil.
3. **BAHAYA: Jauhkan tangan Anda dari mata pisau.** Sentuhan dengan mata pisau dapat mengakibatkan cedera badan serius.
4. **Jangan menggunakan mesin ini saat hujan atau kondisi basah dan lembap.** Motor listrik tidak tahan air.
5. **Pastikan Anda memiliki pijakan yang aman sebelum mulai mengoperasikan mesin.**
6. **Jangan mengoperasikan mesin tanpa beban yang tidak diperlukan.**
7. **Segera matikan mesin dan lepas kartrid baterai apabila bilah pisau pemangkas menyentuh pagar atau benda keras lainnya.** Periksa kerusakan pada bilah pisau dan jika rusak segera ganti mata pisau.
8. **Sebelum memeriksa bilah pisau pemangkas, memperbaiki kerusakan, atau membersihkan material yang tersangkut pada bilah pisau pemangkas, selalu matikan mesin ini dan lepaskan kartrid baterai.**
9. **Jangan arahkan bilah pisau pemangkas ke diri sendiri atau orang lain.**
10. **Jika bilah pisau berhenti bergerak karena benda asing tersangkut di antara bilah pisau selama pengoperasian, matikan mesin dan lepaskan kartrid baterai, lalu keluarkan benda asing menggunakan alat seperti tang.** Mengeluarkan benda asing dengan tangan dapat menyebabkan cedera karena bilah pisau dapat bergerak sebagai akibat dari dikeluarkannya benda asing tersebut.

11. Hindari lingkungan berbahaya. Jangan gunakan mesin di lokasi yang lembap dan basah, atau membiarkannya terkena hujan. Air yang masuk ke dalam mesin akan meningkatkan risiko sengatan listrik.

#### Perawatan dan penyimpanan

1. Matikan mesin dan lepaskan kartrid baterai sebelum melakukan pekerjaan perawatan apa pun.
2. Ketika memindahkan mesin ke lokasi lain, termasuk selama melakukan pekerjaan, selalu lepaskan kartrid baterai dan pasang penutup bilah pisau pada bilah pisau pemangkas. Jangan pernah membawa atau memindahkan mesin saat bilah pisau masih beroperasi. Jangan pernah menggenggam bilah pisau pemangkas menggunakan tangan.
3. Bersihkan mesin dan terutama bilah pisau pemangkas setelah digunakan, dan sebelum memasukkan mesin tersebut ke penyimpanan untuk waktu yang lama. Sedikit lumasi bilah pisau pemangkas dan masukkan ke dalam penutupnya.
4. Simpan mesin tersebut dalam penutup bilah pisau, di ruangan yang kering. Jauhkan dari jangkauan anak-anak. Jangan pernah menyimpan mesin ini di luar ruangan.
5. Jangan buang baterai ke dalam api. Sel dapat meledak. Periksa ketentuan lokal untuk petunjuk pembuangan khusus.
6. Jangan membuka atau membongkar baterai. Elektrolit yang terlepas bersifat korosif dan dapat menyebabkan iritasi pada mata atau kulit. Elektrolit yang terlepas beracun jika tertelan.
7. Jangan mengisi daya baterai saat hujan, atau di lokasi yang basah.

### SIMPAN PETUNJUK INI.

**⚠️ PERINGATAN:** JANGAN biarkan kenyamanan atau terbiasanya Anda dengan produk (karena penggunaan berulang) mengurangi kepatuhan yang ketat terhadap aturan keselamatan untuk produk yang terkait. PENYALAHGUNAAN atau kelalaian mematuhi kaidah keselamatan yang tertera dalam petunjuk ini dapat menyebabkan cedera badan serius.

### Petunjuk keselamatan penting untuk kartrid baterai

1. Sebelum menggunakan kartrid baterai, bacalah semua petunjuk dan penandaan pada (1) pengisi daya baterai, (2) baterai, dan (3) produk yang menggunakan baterai.
2. Jangan membongkar atau memodifikasi kartrid baterai. Tindakan tersebut dapat menimbulkan api, panas berlebih, atau ledakan.
3. Jika waktu beroperasinya menjadi sangat singkat, segera hentikan penggunaan. Hal tersebut dapat menimbulkan risiko panas berlebih, kemungkinan mengalami luka bakar atau bahkan terjadi ledakan.
4. Jika elektrolit mengenai mata Anda, basuh dengan air bersih dan segera cari pertolongan medis. Hal tersebut dapat mengakibatkan hilangnya kemampuan penglihatan Anda.
5. Jangan menghubungkan terminal kartrid baterai:
  - (1) Jangan menyentuh terminal dengan bahan penghantar listrik apa pun.
  - (2) Hindari menyimpan kartrid baterai pada wadah yang berisi benda logam lain seperti paku, uang logam, dsb.
  - (3) Jangan membiarkan baterai terkena air atau kehujanan.
 Hubungan singkat baterai dapat menyebabkan aliran arus listrik yang besar, panas berlebih, kemungkinan mengalami luka bakar dan bahkan kerusakan pada baterai.
6. Jangan menyimpan dan menggunakan mesin dan kartrid baterai pada lokasi dengan suhu yang bisa mencapai atau melebihi 50 °C (122 °F).
7. Jangan membuang kartrid baterai di tempat pembakaran sampah walaupun benar-benar rusak atau tidak bisa digunakan sama sekali. Kartrid baterai bisa meledak jika terbakar.
8. Jangan memaku, memotong, menghancurkan, melempar, menjatuhkan kartrid baterai, atau memukulkan benda keras ke kartrid baterai. Tindakan tersebut dapat menimbulkan api, panas berlebih, atau ledakan.
9. Jangan menggunakan baterai yang rusak.
10. **Baterai litium-ion yang disertakan sesuai dengan persyaratan Perundangan Makanan Berbahaya.**  
Harus ada pengawasan untuk pengangkutan komersial misalnya oleh pihak ketiga, ekspediter, persyaratan khusus terhadap pengemasan dan pelabelan.  
Diperlukan adanya konsultasi dengan ahli mengenai material berbahaya untuk persiapan barang yang akan dikirimkan. Perhatikan pula peraturan nasional yang lebih terperinci yang mungkin ada.  
Beri perekat atau tutupi bagian yang terbuka dan kemasi baterai dengan cara yang tidak akan menimbulkan pergeseran dalam pengemasan.
11. **Ketika membuang kartrid baterai, lepaskan dari mesin dan buang ke tempat yang aman. Patuhi peraturan setempat yang berkaitan dengan pembuangan baterai.**
12. **Gunakan baterai hanya dengan produk yang ditentukan oleh Makita.** Memasang baterai pada produk yang tidak sesuai dapat menyebabkan kebakaran, kelebihan panas, ledakan, atau kebocoran elektrolit.
13. **Jika mesin tidak digunakan dalam jangka waktu yang lama, baterai harus dilepas dari mesin.**
14. **Selama dan setelah digunakan, kartrid baterai mungkin menyimpan panas yang dapat menyebabkan luka bakar atau luka bakar suhu rendah.** Perhatikan cara memegang kartrid baterai yang masih panas.

15. **Jangan langsung menyentuh terminal mesin setelah digunakan karena suhunya mungkin cukup panas untuk menyebabkan luka bakar.**
16. **Jangan biarkan serpihan, debu, atau tanah menempel di terminal, lubang, dan alur kartrid baterai.** Hal tersebut dapat mengakibatkan kinerja buruk atau kerusakan mesin maupun kartrid baterai.
17. **Kecuali jika mesin mendukung penggunaan di dekat saluran listrik bertegangan tinggi, jangan gunakan kartrid baterai di dekat saluran listrik bertegangan tinggi.** Hal tersebut dapat mengakibatkan kegagalan fungsi atau kerusakan mesin maupun kartrid baterai.
18. **Jauhkan baterai dari jangkauan anak-anak.**

## SIMPAN PETUNJUK INI.

**⚠PERHATIAN:** Gunakan baterai asli Makita. Penggunaan baterai Makita yang tidak asli, atau baterai yang sudah diubah, akan mengakibatkan baterai mudah terbakar, cedera dan kerusakan. Akan menghilangkan garansi Makita pada pengisi daya dan alat Makita.

## Tip untuk menjaga agar umur pemakaian baterai maksimum

1. **Isi ulang kartrid baterai sebelum habis sama sekali.** Selalu hentikan penggunaan mesin dan ganti kartrid baterai jika Anda melihat bahwa mesin kurang tenaga.
2. **Jangan pernah mengisi ulang kartrid baterai yang sudah diisi penuh.** Pengisian ulang yang berlebih memperpendek umur pemakaian baterai.
3. **Isi ulang kartrid baterai pada suhu ruangan 10 °C - 40 °C.** Biarkan kartrid baterai yang panas menjadi dingin terlebih dahulu sebelum diisi ulang.
4. **Saat kartrid baterai tidak digunakan, lepaskan dari mesin atau pengisi daya.**
5. **Isi ulang daya kartrid baterai jika Anda tidak menggunakannya untuk jangka waktu yang lama (lebih dari enam bulan).**

## DESKRIPSI FUNGSI

**⚠PERHATIAN:**

- Selalu pastikan bahwa mesin dimatikan dan kartrid baterai dilepas sebelum menyatel atau memeriksa kerja mesin.

## Memasang atau melepas kartrid baterai

- **Gbr.1:** 1. Indikator berwarna merah 2. Tombol 3. Kartrid baterai

### ⚠PERHATIAN:

- Selalu matikan mesin sebelum memasang atau melepas kartrid baterai.
- **Pegang mesin dan kartrid baterai kuat-kuat saat memasang atau melepas kartrid baterai.** Kelalaian untuk memegang mesin dan kartrid baterai kuat-kuat bisa menyebabkan keduanya tergelincir dari tangan Anda dan mengakibatkan kerusakan pada mesin dan kartrid baterai dan cedera diri.

Untuk melepas kartrid baterai, geser dari mesin sambil menggeser tombol pada bagian depan kartrid.

Untuk memasang kartrid baterai, sejajarkan lidah kartrid baterai dengan alur pada rumah dan masukkan ke dalam tempatnya. Masukkan seluruhnya sampai terkunci pada tempatnya dan terdengar bunyi klik kecil. Jika Anda bisa melihat indikator berwarna merah pada sisi atas tombol, berarti tidak terkunci sepenuhnya.

### ⚠PERHATIAN:

- Selalu pasang kartrid baterai sampai indikator berwarna merah tidak terlihat. Jika tidak, kartrid baterai mungkin saja terlepas dari mesin, dan dapat menyebabkan cedera pada diri Anda atau orang di sekitar Anda.
- Jangan memasang kartrid baterai secara paksa. Jika kartrid tidak dapat didorong masuk dengan mudah, berarti cara pemasangannya salah.

## Sistem perlindungan baterai (Baterai Litium-ion dengan tanda bintang)

### ► Gbr.2: 1. Tanda bintang

Baterai Litium-ion dengan tanda bintang dilengkapi dengan sistem perlindungan. Sistem ini memutus daya ke mesin secara otomatis untuk memperpanjang umur pemakaian baterai.

Mesin akan berhenti saat penggunaan saat mesin dan/ atau baterai berada dalam salah satu kondisi berikut ini:

- Kelebihan beban:
  - Mesin dijalankan dengan cara yang menyebabkannya menarik arus tinggi yang tidak normal.
  - Untuk situasi ini, lepas pelatuk sakelar pada mesin dan hentikan penggunaan yang menyebabkan mesin mengalami kelebihan beban. Kemudian tarik lagi pelatuk sakelarnya untuk mengoperasikannya kembali.
  - Jika mesin tidak menyala, baterai mengalami kelebihan panas. Untuk situasi ini, biarkan baterai menjadi dingin sebelum menarik pelatuk sakelarnya lagi.
- Tegangan baterai rendah:
  - Kapasitas baterai yang tersisa terlalu rendah dan mesin tidak akan beroperasi. Untuk situasi ini, lepas dan isi ulang baterai.

## Menunjukkan kapasitas baterai yang tersisa

(Hanya untuk kartrid baterai dengan huruf "B" pada akhir nomor model.)

► **Gbr.3:** 1. Lampu indikator 2. Tombol PEMERIKSAAN

Tekan tombol pemeriksaan pada kartrid baterai untuk melihat kapasitas baterai yang tersisa. Lampu indikator menyala selama beberapa detik.

Lampu indikator			Kapasitas yang tersisa
Menyala	Mati	Berkedip	
■	□	◐	75% hingga 100%
■	■	□	50% hingga 75%
■	□	□	25% hingga 50%
■	□	□	0% hingga 25%
◐	□	□	Isi ulang baterai.
■	□	□	Baterai mungkin sudah rusak.
□	□	■	

### CATATAN:

- Tergantung kondisi penggunaan dan suhu lingkungannya, indikasi ini mungkin saja sedikit berbeda dari kapasitas sebenarnya.

## Kerja sakelar

### ⚠ PERHATIAN:

- Sebelum memasukkan kartrid baterai pada mesin, pastikan pelatuk sakelar berfungsi dengan baik dan kembali ke posisi "OFF" saat dilepas.

► **Gbr.4:** 1. Pelatuk sakelar A 2. Pelatuk sakelar B 3. Tombol pengunci

Untuk keselamatan Anda, mesin ini dilengkapi dengan sistem sakelar dua langkah. Untuk menyalakan mesin, tekan tombol buka kunci dan pelatuk A dan B. Lepaskan salah satu dari pelatuk yang ditekan untuk mematikan. Urutan sakelar tidak penting karena mesin hanya akan menyala ketika dua sakelar diaktifkan.

## Lampu indikator

► **Gbr.5:** 1. Lampu indikator

Menjalankan alat memungkinkan lampu indikator untuk menunjukkan status kapasitas kartrid baterai. Ketika alat bermuatan penuh dan berhenti saat beroperasi, lampu menyala warna merah.

Merujuklah pada tabel berikut untuk status dan langkah-langkah yang diambil untuk lampu indikator.

Lampu indikator	Status	Langkah-langkah yang diambil
Lampu berkedip warna merah.	Hal ini menunjukkan waktu yang tepat untuk mengganti kartrid baterai ketika daya baterai lemah.	Isi ulang daya kartrid baterai sesegera mungkin.
Lampu menyala warna merah. (Catatan 1)	Fungsi ini bekerja ketika daya baterai hampir habis. Pada saat tersebut, mesin berhenti dengan segera.	Isi ulang daya kartrid baterai.
Lampu menyala warna merah. (Catatan 1)	Berhenti otomatis karena kelebihan muatan.	Matikan alat.

Catatan 1: Waktu lampu indikator mulai menyala berbeda-beda, bergantung pada suhu di sekitar area kerja dan kondisi kartrid baterai.

# PENGUNAAN

## ⚠️ PERHATIAN:

- Berhati-hatilah agar tidak menyentuh pagar besi atau benda keras lainnya selama pemotongan. Mata pisau dapat pecah dan dapat menimbulkan cedera serius.
- Berusaha menjangkau terlalu jauh terutama menggunakan tangga sangatlah berbahaya. Jangan lakukan pekerjaan dengan pijakan yang mudah goyah atau tidak kuat.

**PEMBERITAHUAN:** Jangan mencoba memotong ranting dengan diameter yang lebih tebal dari 10 mm dengan alat ini. Potong cabang besar hingga 10 cm lebih rendah dibanding ketinggian pemotongan menggunakan pemotong cabang sebelum menggunakan alat ini.

► **Gbr.6:** (1) Ketinggian pemotongan (2) 10 cm

## ⚠️ PERHATIAN:

- Jangan potong pohon yang mati atau benda keras lainnya. Kelalaian dalam melakukannya dapat mengakibatkan kerusakan mesin.

► **Gbr.7**

Tahan mesin profil dengan kedua tangan dan tarik pelatuk sakelar A atau B dan kemudian gerakkan di depan Anda.

► **Gbr.8:** 1. Arah pemotongan 2. Permukaan tanaman yang akan dipotong 3. Miringkan mata pisau

Untuk cara pengoperasian dasar, miringkan mata pisau sesuai arah pemotongan lalu gerakkan dengan tenang dan perlahan dengan kecepatan rata-rata 3 - 4 detik per meter.

► **Gbr.9:** 1. String

Agar pemotongan pada bagian atas rata, gunakan tali untuk mengikat tanaman pada ketinggian yang diinginkan, lalu potong menggunakan arah tali sebagai garis referensi.

► **Gbr.10**

Memasang pengumpul serpihan (aksesori opsional) pada mesin selama pemotongan lurus dapat mencegah daun yang terpotong berserakan.

► **Gbr.11**

Untuk memotong tanaman dari samping dengan rata, potonglah dari bawah ke atas.

► **Gbr.12**

Potong boxwood atau rhododendron dari bawah ke atas untuk mendapatkan hasil yang baik.

# Memasang atau melepaskan pengumpul serpihan (aksesori opsional)

## ⚠️ PERHATIAN:

- Pastikan mesin dalam keadaan mati dan steker telah dicabut, sebelum memasang atau melepas pengumpul serpihan.

## CATATAN:

- Ketika mengganti pengumpul serpihan, selalu kenakan sarung tangan sehingga tangan dan wajah tidak menyentuh mata pisau secara langsung. Kelalaian dalam melakukannya dapat menyebabkan cedera diri.
- Pastikan penutup mata pisau telah dilepaskan sebelum memasang pengumpul serpihan.
- Pengumpul serpihan berfungsi mengumpulkan daun yang terpotong. Kait ini dapat dipasang pada salah satu sisi mesin.

► **Gbr.13:** 1. Tekan 2. Pengumpul serpihan 3. Mur 4. Mata pisau gunting

Tekan pengumpul serpihan pada pisau gunting sehingga celahnya berada di atas mur pada pisau gunting.

► **Gbr.14:** 1. Kait 2. Pasang kait pada alur dengan tepat 3. Alur

Pada saat ini, pengumpul serpihan harus terpasang sedemikian rupa sehingga kaitnya terpasang tepat pada alur di pisau gunting.

► **Gbr.15:** 1. Tekan tuas di kedua sisi 2. Buka kait

Untuk melepas pengumpul serpihan, tekan tuas di kedua sisi sehingga kait terlepas.

## ⚠️ PERHATIAN:

- Penutup pisau (peralatan standar) tidak dapat dipasang pada mesin apabila pengumpul serpihan sedang terpasang. Sebelum membawa atau menyimpan, lepaskan pengumpul serpihan dan pasang penutup pisau untuk mencegah mata pisau terpacan.

## CATATAN:

- Periksa bahwa pengumpul serpihan terpasang dengan benar sebelum digunakan.
- Jangan pernah melepas pengumpul serpihan dengan paksa saat kaitnya masih terkunci pada alur mata pisau. Menggunakan tenaga yang berlebihan dapat merusaknya.



# PERAWATAN

## ⚠️ **PERHATIAN:**

- Selalu pastikan bahwa mesin dimatikan dan kartrid baterai dilepas sebelum melakukan pemeriksaan atau perawatan.

## Membersihkan mesin

Bersihkan mesin dari debu dengan kain kering atau dengan kain yang direndam sabun.

## ⚠️ **PERHATIAN:**

- Jangan sekali-kali menggunakan bensin, tiner, alkohol, atau bahan sejenisnya. Penggunaan bahan tersebut dapat menyebabkan perubahan warna, perubahan bentuk, atau timbulnya retakan.

## Perawatan mata pisau

Olesi mata pisau sebelum dipakai dan setiap satu jam menggunakan oli mesin atau semacamnya.

## **CATATAN:**

- Sebelum mengolesi mata pisau, lepaskan pengumpul serpihan.

Setelah pengoperasian, bersihkan debu dari kedua sisi mata pisau menggunakan sikat kawat, usap dengan kain dan kemudian olesi dengan oli yang encer seperti oli mesin dll. dan oli pelumas tipe semprot.

## ⚠️ **PERHATIAN:**

- Jangan cuci mata pisau dengan air. Kelalaian dalam melakukannya dapat mengakibatkan karat atau kerusakan mesin.

## Melepas atau memasang mata pisau gunting

## ⚠️ **PERHATIAN:**

- Sebelum melepas atau memasang mata pisau gunting, selalu pastikan mesin dalam keadaan mati dan kartrid baterai dicabut.
- Ketika mengganti mata pisau gunting, selalu kenakan sarung tangan tanpa melepaskan penutup mata pisau sehingga tangan dan wajah tidak menyentuh mata pisau secara langsung. Kelalaian dalam melakukannya dapat menyebabkan cedera diri.

## **CATATAN:**

- Jangan bersihkan gemuk pada gir dan engkol. Kelalaian dalam melakukannya dapat mengakibatkan kerusakan mesin.

## Melepas bilah pisau pemangkas

- **Gbr.16:** 1. Sekrup 2. Penutup bawah

Balikkan mesin dan kendurkan keempat sekrup dan lepaskan penutup bawah.

## **CATATAN:**

- Berhati-hatilah agar tidak mengotori tangan karena gemuk yang ada pada area gerakan mata pisau gunting.

- **Gbr.17:** 1. Sekrup 2. Spons 3. Cincin penutup

Kendurkan keempat sekrup dan lepaskan mata pisau. Lepaskan ring dan spons dari mata pisau pemangkas dan letakkan di tempat lain. Ring dan spons diperlukan untuk pemasangan selanjutnya.

- **Gbr.18:** 1. Gir 2. Selongsong 3. Cincin penutup 4. Alur

Jika selongsong masih tertinggal di lubang gir, lepaskan gir dan tekan selongsong keluar dengan obeng atau semacamnya.

**CATATAN:** Ring di bawah gir mungkin terlepas secara tidak sengaja saat melepas gir. Dalam kasus ini, kembalikan ke posisi semula seperti saat dipasang.

## Memasang mata pisau gunting

- **Gbr.19:** 1. Penutup mata pisau

Lepaskan penutup mata pisau dari mata pisau gunting yang lama dan pasang ke mata pisau baru untuk menghindari kontak dengan mata pisau.

- **Gbr.20**

Sesuaikan posisi lubang dengan memutar roda gir sebagaimana diilustrasikan.

- **Gbr.21:** 1. Gemuk

- **Gbr.22:** 1. Gemuk

Oleskan sedikit gemuk yang disediakan dengan mata pisau gunting baru sebagaimana diilustrasikan.

- **Gbr.23:** 1. Mata pisau 2. Spons 3. Selongsong

Letakkan spons yang sudah dilepas pada posisi yang sama dengan yang lama. Pastikan selongsong yang disediakan dengan mata pisau gunting baru dipasang pada pin mata pisau. Pasang mata pisau gunting baru pada mesin sedemikian rupa sehingga pin terpasang tepat pada lubang gir. Jika selongsong pada pin lepas secara tidak sengaja, masukkan ke dalam lubang gir terlebih dahulu.

- **Gbr.24:** 1. Sekrup 2. Cincin penutup

Pasang mata pisau dan kencangkan keempat sekrup dan letakkan ring yang dilepas pada posisi yang sama seperti yang lama.

- **Gbr.25:** 1. Sekrup

Pasang penutup bawah pada mesin dan kencangkan keempat sekrup dengan kuat.



## Penyimpanan

Lubang kait di bagian bawah alat dapat digunakan untuk menggantung mesin di dinding menggunakan paku atau sekrup.

### ► Gbr.26

Lepaskan kartrid baterai dan letakkan penutup mata pisau pada mata pisau gunting agar mata pisau tidak terbuka. Simpan mesin jauh dari jangkauan anak-anak. Simpan mesin di tempat yang tidak terpajan air dan hujan.

Untuk menjaga KEAMANAN dan KEANDALAN produk, perbaikan, perawatan lain, atau penyetelan harus dilakukan oleh Pusat Layanan Resmi Makita dan selalu gunakan suku cadang pengganti buatan Makita.

## AKSESORI PILIHAN

### PERHATIAN:

- Dianjurkan untuk menggunakan aksesoris atau perangkat tambahan ini dengan mesin Makita Anda yang ditentukan dalam petunjuk ini. Penggunaan aksesoris atau perangkat tambahan lain bisa menyebabkan risiko cedera pada manusia. Hanya gunakan aksesoris atau perangkat tambahan sesuai dengan peruntukannya.

Jika Anda memerlukan bantuan lebih terperinci berkenaan dengan aksesoris ini, tanyakan pada Pusat Layanan Makita terdekat.

- Penutup mata pisau
- Rakitan bilah pisau pemangkas
- Baterai dan pengisi daya asli buatan Makita
- Pengumpul serpihan

### CATATAN:

- Beberapa item dalam daftar tersebut mungkin sudah termasuk dalam paket mesin sebagai aksesoris standar. Hal tersebut dapat berbeda dari satu negara ke negara lainnya.

## SPEKIFIKASI

Model	DUH483	DUH523
Panjang bilah	480 mm	520 mm
Ayunan per minit (min <sup>-1</sup> )	1,350	
Voltan terkadar	D.C. 18 V	
Panjang keseluruhan (Bergantung pada bateri)	873 - 888 mm	923 - 938 mm
Berat bersih	3.0 - 3.3 kg	3.0 - 3.4 kg

- Disebabkan program penyelidikan dan pembangunan kami yang berterusan, spesifikasi yang terkandung di dalam ini adalah tertakluk kepada perubahan tanpa notis.
- Spesifikasi mungkin berbeza mengikut negara.
- Berat mungkin berbeza bergantung kepada pemasangan, termasuk kartrij bateri. Kombinasi paling ringan dan paling berat, mengikut Prosedur EPTA 01/2014, ditunjukkan di dalam jadual.

### Kartrij bateri dan pengecas yang boleh digunakan

Kartrij bateri	BL1815N / BL1820B / BL1830B / BL1840B / BL1850B / BL1860B
Pengecas	DC18RC / DC18RD / DC18RE / DC18SD / DC18SE / DC18SF / DC18SH

- Sesetengah kartrij bateri dan pengecas yang disenaraikan di atas mungkin tidak tersedia bergantung pada kawasan kediaman anda.

**⚠️ AMARAN:** Hanya menggunakan kartrij bateri dan pengecas yang disenaraikan di atas. Penggunaan mana-mana kartrij bateri dan pengecas lain boleh menyebabkan kecederaan dan/atau kebakaran.

### Sumber kuasa bersambung kord yang disyorkan

Pek kuasa mudah alih	PDC01
----------------------	-------

- Sumber kuasa bersambung kord yang disenaraikan di atas mungkin tidak tersedia bergantung pada kawasan kediaman anda.
- Sebelum menggunakan sumber kuasa bersambung kord, baca arahan dan tanda peringatan.

### Simbol

Berikut menunjukkan simbol-simbol yang boleh digunakan untuk alat ini. Pastikan anda memahami maksudnya sebelum menggunakan.



Baca manual arahan.



Jangan dedahkan kepada kelembapan.



Pakai pelindung mata.



BAHAYA - Jauhkan tangan daripada bilah.



Ni-MH  
Li-ion

Hanya untuk negara-negara EU  
Disebabkan kehadiran komponen berbahaya dalam peralatan, sisa peralatan elektrik dan elektronik, akumulator dan bateri boleh memberi kesan negatif terhadap persekitaran dan kesihatan manusia.

Jangan buang alat elektrik dan elektronik atau bateri bersama dengan bahan buangan isi rumah!

Mengikut Arahan Eropah mengenai sisa peralatan elektrik dan elektronik dan mengenai akumulator dan bateri dan sisa akumulator dan bateri serta penyesuaian dengan undang-undang negara, sisa peralatan elektrik, bateri dan akumulator hendaklah disimpan secara berasingan dan dihantar ke tempat pengumpulan berasingan untuk sisa perbandaran, beroperasi mengikut peraturan perlindungan persekitaran.

Ini ditunjukkan oleh simbol tong sampah beroda yang bersilang pada peralatan.



Aras kuasa bunyi terjamin menurut Arahan Redam Di Luar Kesatuan Eropah.



Aras kuasa bunyi menurut Peraturan Kawalan Redam NSW, Australia

## Tujuan penggunaan

Alat ini bertujuan untuk memangkas tanaman pagar.

## Amaran keselamatan umum alat kuasa

**⚠️AMARAN:** Baca semua amaran keselamatan, arahan, ilustrasi dan spesifikasi yang disediakan dengan alat kuasa ini. Kegagalan mengikut amaran dan arahan boleh menyebabkan kejutan elektrik, kebakaran dan/atau kecederaan serius.

## Simpan semua amaran dan arahan untuk rujukan masa depan.

Istilah "alat kuasa" dalam amaran merujuk kepada alat kuasa yang menggunakan tenaga elektrik (kabel) atau alat kuasa yang menggunakan bateri (tanpa kord).

### Keselamatan kawasan kerja

1. **Pastikan kawasan kerja bersih dan terang.** Kawasan berselerak atau gelap mengundang kemalangan.
2. **Jangan kendalikan alat kuasa dalam keadaan yang mudah meletup, seperti dalam kehadiran cecair, gas atau habuk yang mudah terbakar.** Alat kuasa menghasilkan percikan api yang boleh menyalaikan debu atau wasap.
3. **Jauhkan kanak-kanak dan orang ramai semasa mengendalikan alat kuasa.** Gangguan boleh menyebabkan anda hilang kawalan.

### Keselamatan elektrik

1. **Palam alat kuasa mesti sepadan dengan soket.** Jangan ubah suai palam dalam apa cara sekalipun. Jangan gunakan sebarang palam penyesuaian dengan alat kuasa terbumi. Palam yang tidak diubah suai dan soket yang sepadan akan mengurangkan risiko kejutan elektrik.
2. **Elakkan sentuhan badan dengan permukaan terbumi, seperti paip, radiator, dapur dan peti sejuk.** Terdapat peningkatan risiko kejutan elektrik jika elektrik terbumi terkena badan anda.
3. **Jangan biarkan alat kuasa terkena hujan atau basah.** Air yang memasuki alat kuasa akan meningkatkan risiko kejutan elektrik.
4. **Jangan salah gunakan kord.** Jangan gunakan kord untuk membawa, menarik atau mencabut palam alat kuasa. Jauhkan kord dari haba, minyak, bucu tajam atau bahagian yang bergerak. Kord yang rosak atau tersimpul meningkatkan risiko kejutan elektrik.
5. **Semasa mengendalikan alat kuasa di luar, gunakan kord sambungan yang bersesuaian untuk kegunaan luar.** Penggunaan kord yang sesuai untuk kegunaan luar mengurangkan risiko kejutan elektrik.
6. **Sekiranya pengendalian alat kuasa di lokasi lembap tidak dapat dielakkan, gunakan bekalan peranti arus sisa (RCD) yang dilindungi.** Penggunaan RCD mengurangkan risiko kejutan elektrik.

7. **Alat kuasa boleh menghasilkan medan elektromagnetik (EMF) yang tidak berbahaya kepada pengguna.** Walau bagaimanapun, pengguna perentak jantung atau peranti perubatan yang serupa harus menghubungi pembuat peranti mereka dan/atau doktor untuk nasihat sebelum mengendalikan alat kuasa ini.

### Keselamatan diri

1. **Sentiasa berwaspada, perhatikan apa yang anda lakukan dan guna akal budi semasa mengendalikan alat kuasa.** Jangan gunakan alat kuasa semasa anda letih atau di bawah pengaruh dadah, alkohol atau ubat. Kelekaan seketika semasa mengendalikan alat kuasa boleh menyebabkan kecederaan diri yang serius.
2. **Gunakan peralatan pelindungan diri.** Sentiasa pakai pelindungan mata. Peralatan pelindungan seperti topeng debu, kasut keselamatan tak mudah tergelincir, topi keselamatan atau pelindungan pendengaran yang digunakan untuk keadaan yang sesuai akan mengurangkan kecederaan diri.
3. **Elakkan permulaan yang tidak disengajakan.** Pastikan suis ditutup sebelum menyambung kepada sumber kuasa dan/atau pek bateri, semasa mengangkat atau membawa alat. Membawa alat kuasa dengan jari anda pada suis atau menahan alat kuasa dengan suis pada kedudukan hidup mengundang kemalangan.
4. **Alihkan sebarang kunci atau sepana pelaras sebelum menghidupkan alat kuasa.** Sepana atau kunci yang ditinggalkan pada bahagian berputar alat kuasa boleh menyebabkan kecederaan diri.
5. **Jangan lampau jangkau.** Jaga pijakan dan keseimbangan yang betul pada setiap masa. Ini membolehkan kawalan alat kuasa yang lebih baik dalam situasi yang tidak dijangka.
6. **Berpakaian dengan betul.** Jangan pakai pakaian yang longgar atau barang kemas. Jauhkan rambut dan pakaian anda dari bahagian yang bergerak. Pakaian longgar, barang kemas atau rambut yang panjang boleh terperangkap dalam bahagian yang bergerak.
7. **Jika peranti disediakan untuk sambungan kemudahan pengestrakan dan pengumpulan habuk, pastikan ia disambung dan digunakan dengan betul.** Penggunaan pengumpulan habuk boleh mengurangkan bahaya berkaitan habuk.
8. **Jangan biarkan kebiasaan daripada kekerapan penggunaan alat membuat anda berpuas hati dan mengabaikan prinsip keselamatan alat.** Kecuaian boleh menyebabkan kecederaan serius dalam sekelip mata.
9. **Sentiasa pakai gogal pelindung untuk melindungi mata anda daripada kecederaan apabila menggunakan alat kuasa.** Gogal mestilah mematuhi ANSI Z87.1 di AS, EN 166 di Eropah, atau AS/NZS 1336 di Australia/New Zealand. Di Australia/New Zealand, undang-undang mengarahkan untuk memakai pelindung muka bagi melindungi muka anda, juga.



**Menjadi tanggungjawab majikan untuk menguatkuasa penggunaan peralatan perlindungan keselamatan yang bersesuaian oleh pengendali alat dan oleh orang lain dalam kawasan bekerja semasa.**

#### **Penggunaan dan penjagaan alat kuasa**

1. **Jangan gunakan alat kuasa dengan kasar. Gunakan alat kuasa yang betul untuk penggunaan anda.** Alat kuasa yang betul akan melakukan tugas dengan lebih baik dan lebih selamat pada kadar mana ia direka cipta.
2. **Jangan gunakan alat kuasa jika suis tidak berfungsi untuk menghidupkan dan mematikannya.** Alat kuasa yang tidak dapat dikawal dengan suis adalah berbahaya dan mesti dibaiki.
3. **Cabut palam dari sumber kuasa dan/atau keluarkan pek bateri, jika boleh ditanggalkan, dari alat kuasa sebelum membuat sebarang pelarasan, menukar aksesori, atau menyimpan alat kuasa.** Langkah-langkah keselamatan pencegahan sedemikian mengurangkan risiko memulakan alat kuasa secara tidak sengaja.
4. **Simpan alat kuasa yang tidak digunakan jauh dari jangkauan kanak-kanak dan jangan biarkan orang yang tidak biasa dengan alat kuasa atau arahan ini untuk mengendalikan alat kuasa.** Alat kuasa adalah berbahaya di tangan pengguna yang tidak terlatih.
5. **Menyelenggara alat kuasa dan aksesori. Periksa salah jajaran atau ikatan pada bahagian yang bergerak, bahagian yang pecah dan apa-apa keadaan lain yang boleh menjejaskan operasi alat kuasa. Jika rosak,baiki alat kuasa sebelum digunakan.** Kebanyakan kemalangan adalah disebabkan oleh alat kuasa yang tidak dijaga dengan baik.
6. **Pastikan alat pemotong tajam dan bersih.** Alat pemotong yang dijaga dengan betul dengan hujung pemotong yang tajam mempunyai kemungkinan yang rendah untuk terikat dan lebih mudah dikendalikan.
7. **Gunakan alat kuasa, aksesori dan alat bit dan sebagainya mengikut arahan ini dengan mengambil kira keadaan kerja dan kerja yang perlu dilakukan.** Penggunaan alat kuasa untuk operasi yang berbeza dari yang dimaksudkan boleh menyebabkan keadaan berbahaya.

8. **Pastikan pemegang dan permukaan pegangan kering, bersih dan bebas dari minyak dan gris.** Pemegang dan permukaan pegangan yang licin tidak membolehkan pengendalian dan kawalan selamat bagi alat dalam situasi yang tidak dijangka.
9. **Apabila menggunakan alat, jangan pakai sarung tangan kerja kain yang mungkin boleh kusut.** Kekusutan sarung tangan kerja kain pada bahagian yang bergerak boleh menyebabkan kecederaan diri.

#### **Penggunaan dan penjagaan alat bateri**

1. **Cas semula dengan pengecas yang ditentukan oleh pengeluar sahaja.** Pengecas yang sesuai untuk satu jenis pek bateri mungkin menimbulkan risiko kebakaran apabila digunakan dengan pek bateri lain.
2. **Gunakan alat kuasa dengan pek bateri yang ditentukan secara khusus sahaja.** Penggunaan mana-mana pek bateri lain mungkin menimbulkan risiko kecederaan dan kebakaran.
3. **Apabila pek bateri tidak digunakan, jauhkannya daripada objek besi lain, seperti klip kertas, duit syiling, paku, skru atau objek besi kecil lain, yang boleh membuat sambungan dari satu terminal ke yang lain.** Memintas terminal bateri bersama-sama mungkin menyebabkan lecuran atau kebakaran.
4. **Di bawah keadaan kasar, cecair mungkin dikeluarkan daripada bateri; elakkan sentuhan. Jika tersentuh secara tidak sengaja, siram dengan air. Jika cecair terkena mata, dapatkan bantuan perubatan di samping siraman air.** Cecair yang dikeluarkan dari bateri mungkin menyebabkan kegatalan atau lecuran.
5. **Jangan gunakan pek bateri atau alat yang rosak atau diubah suai.** Bateri yang rosak atau diubah suai mungkin menunjukkan perilaku yang tidak dijangka menyebabkan kebakaran, letupan atau risiko kecederaan.
6. **Jangan dedahkan pek bateri atau alat kepada api atau suhu yang berlebihan.** Pendedahan kepada api atau suhu melebihi 130 °C mungkin menyebabkan letupan.
7. **Ikut semua arahan pengecasan dan jangan cas pek bateri atau alat di luar julat suhu yang ditetapkan dalam arahan.** Mengecas dengan tidak betul atau pada suhu di luar julat yang dinyatakan mungkin merosakkan bateri dan meningkatkan risiko kebakaran.

#### **Servis**

1. **Pastikan alat kuasa anda diservis oleh orang yang berkelayakan dengan hanya menggunakan alat ganti yang sama.** Ini akan memastikan keselamatan alat kuasa dapat dikekalkan.
2. **Jangan servis pek bateri yang telah rosak.** Servis pek bateri hanya boleh dilakukan oleh pengeluar atau penyedia servis yang sah.
3. **Ikut arahan untuk melincir dan menukar aksesori.**

## Amaran Keselamatan Pemangkas Tanaman Pagar Tanpa Kord

1. **Jauhkan semua anggota tubuh badan daripada bilah. Jangan keluarkan bahan yang dipotong atau pegang bahan yang hendak dipotong semasa bilah sedang bergerak.** Bilah terus berputar selepas suis dimatikan. Kelekaan seketika semasa mengendalikan pemangkas tanaman pagar boleh menyebabkan kecederaan diri yang serius.
2. **Bawa pemangkas tanaman pagar dengan memegang pemegang dan bilah dihentikan dan berhati-hati agar tidak mengoperasikan sebarang suis kuasa.** Membawa pemangkas tanaman pagar dengan betul akan mengurangkan risiko permulaan yang tidak disengajakan dan kecederaan diri yang diakibatkan oleh bilah.
3. **Apabila memulakan atau menyimpan pemangkas tanaman pagar, sentiasa pasang penutup bilah.** Pengendalian pemangkas tanaman pagar yang betul akan mengurangkan kecederaan diri yang diakibatkan oleh bilah.
4. **Semasa membersihkan bahan yang tersangkut atau melakukan servis pada unit, pastikan semua suis kuasa dimatikan dan pek bateri dikeluarkan atau diputuskan sambungan.** Penggerakan pemangkas tanaman pagar yang tidak dijangka semasa membersihkan bahan yang tersangkut atau melakukan servis boleh mengakibatkan kecederaan diri yang serius.
5. **Pegang pemangkas tanaman pagar dengan permukaan mencengkam tertebat sahaja, kerana bilah boleh tersentuh wayar tersembunyi.** Bilah bersentuh wayar "hidup" mungkin menyebabkan bahagian logam terdedah pemangkas tanaman pagar "hidup" dan boleh memberi kejutan elektrik kepada pengendali.
6. **Jauhkan semua kord dan kabel kuasa dari kawasan pemotongan.** Kord dan kabel kuasa mungkin tersembunyi dalam tanaman pagar dan semak dan boleh terpotong secara tidak sengaja.
7. **Jangan gunakan pemangkas tanaman pagar ini dalam keadaan cuaca yang buruk terutamanya apabila terdapat risiko kilat.** Ini mengurangkan risiko disambar petir.
4. **Gunakan alat hanya jika anda berada dalam keadaan fizikal yang baik.** Jika anda penat, tumpuan anda akan berkurangan. Lebih berhati-hati pada penghujung hari bekerja. Lakukan semua kerja dengan tenang dan berhati-hati. Pengguna bertanggungjawab bagi semua kerosakan kepada pihak ketiga.
5. **Jangan sekali-kali gunakan alat semasa di bawah pengaruh alkohol, dadah atau ubat.**
6. **Sarung tangan kulit yang kukuh adalah sebahagian daripada peralatan asas alat dan mestilah sentiasa dipakai apabila bekerja dengannya.** Pakai juga kasut yang tegap dengan tapak anti gelincir.
7. **Sebelum memulakan kerja, periksa untuk memastikan alat berfungsi dengan baik dan selamat.** Pastikan pelindung dipasang dengan betul. Alat mestilah tidak digunakan melainkan telah dipasang sepenuhnya.

### Operasi

1. **Pegang alat dengan kukuh menggunakan kedua-dua belah tangan apabila menggunakan alat.**
2. **Alat ini ditujukan untuk digunakan oleh pengendali di permukaan tanah. Jangan gunakan alat di atas tangga atau sokongan lain yang tidak stabil.**
3. **BAHAYA - Jauhkan tangan daripada bilah.** Sentuhan dengan bilah akan menyebabkan kecederaan diri yang serius.
4. **Jangan gunakan alat dalam hujan atau dalam keadaan basah atau sangat lembap.** Motor elektrik tidak kalis air.
5. **Pastikan anda berpijak dengan kukuh sebelum memulakan operasi.**
6. **Jangan kendalikan alat tanpa beban tanpa keperluan.**
7. **Matikan alat dengan segera dan keluarkan kartrij bateri jika bilah ricih bersentuhan dengan pagar atau objek keras yang lain.** Periksa bilah untuk melihat kerosakan, dan gantikan bilah dengan segera jika rosak.
8. **Sebelum memeriksa bilah ricih, uruskan kerosakan atau keluarkan bahan yang tersekat pada bilah ricih, sentiasa matikan alat dan keluarkan kartrij bateri.**
9. **Jangan sekali-kali halakan bilah ricih pada diri anda atau orang lain.**
10. **Jika bilah berhenti bergerak akibat objek asing yang tersangkut di antara bilah semasa operasi, matikan alat dan keluarkan kartrij bateri, dan kemudian keluarkan objek asing menggunakan alat seperti playar.** Mengeluarkan objek asing menggunakan tangan boleh menyebabkan kecederaan oleh sebab bilah mungkin bergerak sebagai tindak balas mengeluarkan objek asing.
11. **Elakkan persekitaran yang bahaya. Jangan gunakan alat dalam lokasi lembap atau basah atau mendedharkannya kepada hujan.** Air yang memasuki alat akan meningkatkan risiko kejutan elektrik.

## Arahan Keselamatan Tambahan

### Penyediaan

1. **Periksa tanaman pagar atau semak untuk objek asing, seperti pagar wayar atau wayar tersembunyi sebelum mengendalikan alat.**
2. **Alat mestilah tidak digunakan oleh kanak-kanak atau individu muda yang di bawah umur 18 tahun.** Orang muda yang melebihi umur 16 tahun mungkin boleh dikecualikan daripada sekatan ini jika mereka telah melalui latihan di bawah penyeliaan pakar.
3. **Pengguna kali pertama perlu mendapatkan pengguna yang berpengalaman untuk menunjukkan mereka cara menggunakan alat.**

## Penyelenggaraan dan penyimpanan

1. Matikan alat dan keluarkan kartrij bateri sebelum melakukan sebarang kerja penyelenggaraan.
2. Apabila memindahkan alat ke lokasi lain, termasuklah ketika bekerja, sentiasa keluarkan kartrij bateri dan pasang penutup bilah pada bilah ricih. Jangan sekali-kali membawa atau mengangkut alat semasa bilah berjalan. Jangan sekali-kali pegang bilah dengan tangan anda.
3. Bersihkan alat dan terutamanya bilah ricih selepas digunakan, dan sebelum meletakkan alat ke dalam tempat simpanan untuk masa yang lama. Letakkan sedikit minyak pada bilah dan pasang penutup bilah.
4. Simpan alat dengan penutup bilah terpasang, dalam bilik yang kering. Jauhkan daripada kanak-kanak. Jangan sekali-kali simpan alat di luar.
5. Jangan lupuskan bateri dengan membakar bateri tersebut. Sel mungkin meletup. Periksa dengan kod tempatan untuk kemungkinan arahan pelupusan khas.
6. Jangan buka atau merosakkan bateri. Elektrolit yang dibebaskan adalah mengakis dan boleh menyebabkan kerosakan kepada mata atau kulit. Ia mungkin toksik jika tertelan.
7. Jangan cas bateri dalam hujan, atau di lokasi yang basah.

## SIMPAN ARAHAN INI.

**⚠️ AMARAN:** JANGAN biarkan keselesaan atau kebiasaan dengan produk (diperoleh dari kegunaan berulang) menggantikan pematuhan ketat terhadap peraturan keselamatan untuk produk yang ditetapkan. SALAH GUNA atau kegagalan mematuhi peraturan-peraturan keselamatan yang dinyatakan dalam manual arahan ini boleh menyebabkan kecederaan diri yang serius.

## Arahan keselamatan penting untuk kartrij bateri

1. Sebelum menggunakan kartrij bateri, baca semua arahan dan tanda amaran pada (1) pengecas bateri, (2) bateri, dan (3) produk menggunakan bateri.
2. Jangan buka atau cabut kartrij bateri. Ia boleh mengakibatkan kebakaran, haba berlebihan, atau letupan.
3. Jika masa operasi menjadi sangat pendek, berhenti operasi serta merta. Ia mungkin menyebabkan risiko pemanasan lampau, melecur bahkan letupan.
4. Jika elektrolit masuk ke dalam mata anda, bilas mata dengan air jernih dan dapatkan rawatan perubatan serta merta. Ia mungkin menyebabkan kehilangan penglihatan.
5. Jangan pintaskan kartrij bateri:
  - (1) Jangan sentuh terminal dengan bahan berkonduksi.
  - (2) Elakkan menyimpan kartrij bateri dalam bekas bersama-sama objek besi lain seperti paku, duit syiling, dll.
  - (3) Jangan dedahkan kartrij bateri kepada air atau hujan.  
Pintasan bateri boleh menyebabkan aliran kuasa yang besar, pemanasan lampau, melecur dan juga kerosakan.
6. Jangan simpan dan gunakan alat dan kartrij bateri di lokasi yang suhunya mungkin mencapai atau melebihi 50 °C (122 °F).
7. Jangan bakar kartrij bateri walaupun jika ia rosak teruk atau haus sepenuhnya. Kartrij bateri boleh meletup dalam kebakaran.
8. Jangan paku, potong, pecahkan, buang, jatuhkan kartrij bateri, atau tekan objek keras pada kartrij bateri. Perbuatan sedemikian boleh mengakibatkan kebakaran, haba berlebihan, atau letupan.
9. Jangan gunakan bateri yang rosak.
10. **Bateri litium ion yang terkandung adalah tertakluk kepada keperluan Perundangan Barangan Berbahaya.**  
Bagi pengangkutan komersil cth. oleh pihak ketiga, ejen penghantar, keperluan khas pada pembungkusan dan pelabelan mestilah diperhatikan.  
Bagi persediaan item yang dihantar, berunding dengan pakar bahan berbahaya adalah diperlukan. Sila juga perhatikan sebolehnya peraturan kebangsaan yang lebih terperinci. Lekatkan atau balut bahagian terbuka dan pek bateri supaya ia tidak bergerak dalam pembungkusan.
11. Apabila melupuskan kartrij bateri, keluarkan ia daripada alat dan lupuskan ia di tempat selamat. Ikut peraturan tempatan anda mengenai pelupusan bateri.
12. Gunakan bateri hanya dengan produk yang ditentukan oleh Makita. Memasang bateri kepada produk yang tidak patuh mungkin menyebabkan kebakaran, pemanasan lampau, atau kebocoran elektrolit.
13. Jika alat tidak digunakan untuk tempoh masa yang lama, bateri mesti dikeluarkan daripada alat.
14. Semasa dan selepas penggunaan, kartrij bateri mungkin ada haba yang boleh menyebabkan terbakar atau suhu rendah terbakar. Beri perhatian kepada pengendalian kartrij bateri yang panas.
15. Jangan sentuh terminal alat itu selepas digunakan kerana ia mungkin panas menyebabkan terbakar.
16. Jangan biarkan cip, habuk, atau tanah terperangkap ke dalam terminal, lubang, dan alur kartrij bateri. Ia mungkin menyebabkan prestasi atau pecahan yang buruk dari alat atau kartrij bateri.
17. Melainkan alat ini menyokong penggunaan yang hampir dari talian kuasa elektrik voltan tinggi, jangan gunakan kartrij bateri berhampiran talian kuasa elektrik voltan tinggi. Ia mungkin menyebabkan kerosakan atau pecah pada alat atau kartrij bateri.

18. Jauhkan bateri daripada kanak-kanak.

## SIMPAN ARAHAN INI.

**⚠️PERHATIAN:** Hanya gunakan bateri asli Makita. Penggunaan bateri tidak asli Makita, atau bateri yang telah diubah suai, mungkin menyebabkan bateri meletup menyebabkan kebakaran, kecederaan diri dan kerosakan. Ia juga membatalkan jaminan Makita untuk alat Makita dan pengecas.

## Tip untuk mengekalkan hayat bateri maksimum

1. **Cas kartrij bateri sebelum ternyahcas sepenuhnya. Sentiasa hentikan operasi alat dan cas kartrij bateri apabila anda menyedari kurang kuasa alat.**
2. **Jangan cas semula kartrij bateri yang dicas sepenuhnya. Terlebih cas memendekkan hayat servis bateri.**
3. **Cas kartrij bateri dengan suhu bilik pada 10 °C - 40 °C (50 °F - 104 °F). Biarkan kartrij bateri yang panas menyejuk sebelum mengecasnya.**
4. **Apabila tidak menggunakan kartrij bateri, tanggalkannya dari alat atau pengecas.**
5. **Cas kartrij bateri jika anda tidak gunakannya untuk tempoh yang lama (lebih daripada enam bulan).**

## KETERANGAN FUNGSI

### ⚠️PERHATIAN:

- Sentiasa pastikan alat dimatikan dan kartrij bateri dikeluarkan sebelum menyelaras atau menyemak fungsi pada alat.

## Memasang atau mengeluarkan kartrij bateri

- **Rajah1:** 1. Penunjuk merah 2. Butang 3. Kartrij bateri

### ⚠️PERHATIAN:

- Sentiasa matikan alat sebelum memasang atau mengeluarkan kartrij bateri.
- **Pegang alat dan kartrij bateri dengan kukuh apabila memasang atau mengeluarkan kartrij bateri.** Gagal untuk memegang alat dan kartrij bateri dengan kukuh mungkin menyebabkan mereka terlepas daripada tangan anda dan mengakibatkan kerosakan kepada alat dan kartrij bateri dan kecederaan peribadi.

Untuk mengeluarkan kartrij bateri, luncurkan ia daripada alat apabila meluncurkan butang di hadapan kartrij.

Untuk memasang kartrij bateri, selaraskan lidah pada kartrij bateri dengan alur pada perumahan dan gelincirkan ia ke tempatnya. Masukkan ia sepenuhnya sehingga ia terkunci di tempatnya dengan klik kecil. Jika anda boleh melihat penunjuk merah di sisi atas butang, ia tidak dikunci sepenuhnya.

### ⚠️PERHATIAN:

- Sentiasa pasang kartrij bateri sepenuhnya sehingga penunjuk merah tidak boleh dilihat. Jika tidak, ia mungkin jatuh daripada alat, menyebabkan kecederaan kepada anda atau seseorang di sekeliling anda.
- Jangan pasang kartrij bateri secara paksa. Jika kartrij tidak meluncur dengan mudah, ia tidak dimasukkan dengan betul.

## Sistem perlindungan bateri (Bateri ion-litium dengan menandakan bintang)

- **Rajah2:** 1. Tanda bintang

Bateri ion-litium dengan penanda bintang dilengkapi dengan sistem perlindungan. Sistem ini secara automatik memutuskan kuasa alat untuk memanjangkan hayat bateri.

Alat akan berhenti secara automatik ketika operasi jika alat dan/atau bateri diletakkan di bawah salah satu keadaan yang berikut:

- **Terlebih beban:**  
Alat dikendalikan dalam keadaan yang menyebabkannya menarik arus tinggi yang tidak normal. Dalam situasi ini, lepaskan alat pencetus suis dan hentikan penggunaan yang menyebabkan alat menjadi terlebih beban. Kemudian, tarik suis pemicu sekali lagi untuk memulakan semula. Jika alat tidak bermula, bateri terlampau panas. Dalam situasi ini, biarkan bateri sejuk sebelum menarik suis pemicu alat semula.
- **Volten bateri rendah:**  
Kapasiti bateri yang tinggal terlalu rendah dan alat akan tidak beroperasi. Dalam situasi ini, keluarkan dan cas semula bateri.

## Menunjukkan kapasiti bateri yang tinggal

(Hanya untuk kartrij bateri dengan huruf "B" terletak di hujung nombor model.)

► **Rajah3:** 1. Lampu penunjuk 2. Butang SEMAK

Tekan butang semak pada kartrij bateri untuk menunjukkan kapasiti bateri yang tinggal. Lampu penunjuk menyala untuk beberapa saat.

Lampu penunjuk			Kapasiti yang tinggal
Dinyalakan	Mati	Berkelip	
			75% hingga 100%
			50% hingga 75%
			25% hingga 50%
			0% hingga 25%
			Cas bateri.
			Bateri mungkin telah rosak.

### NOTA:

- Bergantung kepada keadaan penggunaan dan suhu persekitaran, penunjuk mungkin berbeza sedikit daripada kapasiti sebenar.

## Tindakan suis

### ⚠ PERHATIAN:

- Sebelum memasukkan kartrij bateri ke dalam alat, sentiasa periksa untuk melihat pemacu suis bergerak dengan betul dan kembali ke posisi "OFF" apabila dilepaskan.

► **Rajah4:** 1. Pemacu suis A 2. Pemacu suis B  
3. Butang buka kunci

Untuk keselamatan anda, alat ini dilengkapi dengan sistem pensuisan dua kali ganda. Untuk menghidupkan alat, tekan butang buka kunci dan pemacu A dan B. Lepaskan salah satu daripada dua yang menekan pemacu untuk mematikan. Jujukan pensuisan adalah tidak penting kerana alat hanya mula apabila kedua-dua suis diaktifkan.

## Lampu penunjuk

► **Rajah5:** 1. Lampu penunjuk

Menjalankan alat membolehkan lampu penunjuk menunjukkan status kapasiti kartrij bateri. Apabila alat juga terlebih beban dan telah berhenti semasa operasi, lampu menyala merah. Rujuk jadual berikut untuk mengetahui status dan tindakan yang perlu diambil untuk lampu penunjuk.

Lampu penunjuk	Status	Tindakan yang perlu diambil
Lampu berkelip merah.	Ini menunjukkan masa yang sesuai untuk menggantikan kartrij bateri apabila kuasa bateri menjadi rendah.	Cas semula kartrij bateri secepat mungkin.
Lampu menyala merah. (Nota 1)	Fungsi ini berfungsi apabila kuasa bateri hampir habis digunakan. Pada masa ini, alat berhenti dengan serta-merta.	Cas semula kartrij bateri.
Lampu menyala merah. (Nota 1)	Auto henti kerana terlebih beban.	Matikan alat.

Nota 1: Masa lampu penunjuk menyala berbeza bergantung pada suhu sekeliling kawasan kerja dan keadaan kartrij bateri.



# OPERASI

## ⚠️ PERHATIAN:

- Berhati-hati agar tidak tersentuh pagar logam atau objek keras lain semasa pemangkasan. Bilah akan pecah dan boleh menyebabkan kecederaan yang serius.
- Melampau jangka dengan pemangkas tanaman pagar, terutamanya dari tangga, adalah amat berbahaya. Jangan kendalikkannya dari tempat yang bergoyang-goyang atau tidak kukuh.

## NOTIS: Jangan cuba memotong dahan yang lebih tebal daripada 10 mm diameter dengan alat.

Potong dahan kepada 10 cm lebih rendah daripada ketinggian pemotongan menggunakan pemotong dahan sebelum menggunakan alat.

- **Rajah6:** (1) Ketinggian pemotongan (2) 10 cm

## ⚠️ PERHATIAN:

- Jangan potong pokok mati atau objek keras seumpamanya. Gagal berbuat demikian boleh merosakkan alat.

### ► Rajah7

Pegang pemangkas dengan kedua-dua tangan dan tarik pemacu suis A atau B, kemudian gerakkan ia ke depan badan anda.

- **Rajah8:** 1. Arah pemangkasan 2. Permukaan tanaman pagar yang mahu dipangkas 3. Sengetkan bilah

Seperti operasi asas, sengetkan bilah menghadap ke arah pemangkasan dan gerakannya dengan tenang dan perlahan pada kadar kelajuan 3 - 4 saat per meter.

- **Rajah9:** 1. Tali

Untuk memotong bahagian atas tanaman pagar secara sama rata, ia membantu dengan mengikat tali pada ketinggian tanaman pagar yang diinginkan dan untuk memangkas di sepanjang tali itu, menggunakannya sebagai garis rujukan.

- **Rajah10**

Menyambungkan penerima cip (aksesori pilihan) pada alat ketika pemangkasan lurus tanaman pagar boleh mengelakkan daun yang dipotong tersebut dibuang.

- **Rajah11**

Untuk memotong tepi tanaman pagar secara sama rata, ia membantu dengan memotong dari bahagian bawah ke atas.

- **Rajah12**

Pangkas kayu pak atau pokok renek dari tapak ke arah atas untuk penampilan yang cantik dan kerja yang baik.

# Memasang atau mengeluarkan penerima cip (aksesori pilihan)

## ⚠️ PERHATIAN:

- Sentiasa pastikan alat dimatikan dan palamnya dicabut sebelum memasang atau mengeluarkan penerima cip.

## NOTA:

- Ketika menggantikan penerima cip, sentiasa memakai sarung tangan agar tangan dan muka tidak terkena bila secara langsung. Kegagalan berbuat demikian boleh menyebabkan kecederaan diri.
- Sentiasa pastikan mengeluarkan sarung bilah sebelum memasang penerima cip.
- Penerima cip menerima daun yang dipotong dan mengurangkan daun yang dibuang. Ini boleh dipasang pada mana-mana sisi alat.

- **Rajah13:** 1. Tekan 2. Penadah serpihan 3. Nat 4. Bilah ricih

Tekan penerima cip pada bilah ricih agar lubangnyanya bertindih dengan nat pada bilah ricih.

- **Rajah14:** 1. Cangkuk 2. Muatkan cangkuk ke dalam alur 3. Alur

Pada masa ini, penerima cip perlu dipasang agar cangkuknya muat ke dalam alur dalam unit bilah ricih.

- **Rajah15:** 1. Tekan tuil pada kedua-dua sisi 2. Buka cangkuk

Untuk mengeluarkan penerima cip, tekan tuilnya pada kedua-dua sisi agar cangkuk terbuka.

## ⚠️ PERHATIAN:

- Sarung bilah (kelengkapan standard) tidak boleh dipasang pada alat ketika penerima cip sedang dipasang. Sebelum membawa atau menyimpan, nyahpasang penerima cip dan kemudian pasang sarung bilah bagi mengelakkan bilah terdedah.

## NOTA:

- Periksa penerima cip untuk pemasangan yang selamat sebelum digunakan.
- Jangan sesekali cuba menyahpasang penerima cip secara paksaan yang keterlaluan ketika cangkuknya terkunci di dalam alur unit bilah. Menggunakan paksaan yang keterlaluan boleh merosakkannya.

# PENYELENGGARAAN

## ⚠️ PERHATIAN:

- Sentiasa pastikan alat dimatikan dan kartrij bateri dikeluarkan sebelum cuba menjalankan pemeriksaan atau penyelenggaraan.

## Membersihkan alat

Bersihkan alat dengan mengelap habuk menggunakan kain kering atau dicelup sabun.

## ⚠️ PERHATIAN:

- Jangan gunakan gasolin, benzin, pencair, alkohol atau bahan yang serupa. Ia boleh menyebabkan perubahan warna, bentuk atau keretakan.

## Penyelenggaraan bilah

Sapu minyak mesin atau seumpamanya pada bilah sebelum dan sekali setiap jam semasa operasi.

### NOTA:

- Sebelum menyapu bilah, tanggalkan penerima cip.

Selepas operasi, buang habuk dari kedua-dua sisi bilah menggunakan berus wayar, lap dengan kain dan kemudian sapu minyak likat rendah secukupnya, seperti minyak mesin, dll. dan minyak pelincir jenis sembur.

## ⚠️ PERHATIAN:

- Jangan basuh bilah menggunakan air. Gagal berbuat demikian boleh merosakkan alat atau menjadi berkarat.

## Mengeluarkan atau memasang bilah ricih

## ⚠️ PERHATIAN:

- Sebelum mengeluarkan atau memasang bilah ricih, sentiasa pastikan alat dimatikan dan kartrij bateri ditanggalkan.
- Ketika menggantikan bilah ricih, sentiasa memakai sarung tangan tanpa mengeluarkan sarung bilah agar tangan dan muka tidak terkena bilah secara langsung. Kegagalan berbuat demikian boleh menyebabkan kecederaan diri.

### NOTA:

- Jangan lap minyak gris dari gear dan engkol. Kegagalan berbuat demikian boleh menyebabkan kerosakan kepada alat.

## Mengeluarkan bilah ricih

► **Rajah16:** 1. Skru 2. Sarung bawah

Balikkan alat dan longgarkan empat skru dan tanggalkan sarung bawah.

### NOTA:

- Berhati-hati agar tidak mengotorkan tangan anda kerana minyak gris disapu di kawasan pacuan bilah ricih.

► **Rajah17:** 1. Skru 2. Span 3. Sesendal

Longgarkan empat skru dan keluarkan bilah. Tanggalkan sesendal dan span daripada bilah ricih dan letak di tepi. Ia diperlukan untuk pemasangan kemudian.

► **Rajah18:** 1. Gear 2. Sarung 3. Sesendal 4. Alur

Jika sarung masih tertinggal dalam lubang gear, tanggalkan gear dan tekan keluar sarung menggunakan pemutar skru atau seumpamanya.

**NOTA:** Sesendal di bawah gear mungkin tertanggal secara tidak sengaja ketika menanggalkan gear. Jika ini berlaku, kembalikan ia ke tempat asal sebagaimana dipasang.

## Memasang bilah ricih

► **Rajah19:** 1. Penutup bilah

Keluarkan sarung bilah daripada bilah ricih lama dan muatkan ke dalam yang baharu untuk mengelakkan menyentuh bilah.

► **Rajah20**

Laraskan kedudukan lubang dengan memutar gear seperti yang digambarkan.

► **Rajah21:** 1. Gris

► **Rajah22:** 1. Gris

Gunakan gris yang disediakan dengan bilah ricih baharu seperti yang digambarkan.

► **Rajah23:** 1. Bilah 2. Span 3. Sarung

Letakkan span yang ditanggalkan dalam kedudukan yang sama seperti yang lama. Pastikan sarung yang disediakan bersama bilah ricih baharu diletakkan pada pin bilah. Letakkan bilah ricih baharu pada alat agar pin muat di dalam lubang gear. Jika sarung pada pin tertanggal secara tidak sengaja, letakkan ia ke dalam lubang gear terlebih dahulu.

► **Rajah24:** 1. Skru 2. Sesendal

Pasang bilah dan ketatkan empat skru dan letakkan sesendal yang ditanggalkan dalam kedudukan yang sama seperti yang lama.

► **Rajah25:** 1. Skru

Pasang sarung bawah pada alat dan ketatkan empat skru dengan kukuh.

## Penyimpanan

Lubang cangkuk pada bawah alatan memudahkan untuk menggantung alat pada paku atau skru di dinding.

### ► Rajah26

Keluarkan kartrij bateri dan pakaikan sarung pada bilah ricih agar bilah tidak terdedah. Simpan alat jauh daripada kanak-kanak dengan berhati-hati.

Simpan alat di tempat yang tidak terdedah kepada air dan hujan.

Untuk mengekalkan KESELAMATAN dan KEBOLEHPERCAYAAN produk, pembaikan, sebarang penyelenggaraan atau pelarasan lain perlu dilakukan oleh Pusat Servis Makita yang Diiktiraf, sentiasa gunakan alat ganti Makita.

## AKSESORI PILIHAN

### PERHATIAN:

- Aksesori-aksesori atau lampiran-lampiran ini adalah disyorkan untuk digunakan dengan alat Makita anda yang ditentukan dalam manual ini. Penggunaan mana-mana aksesori-aksesori atau lampiran-lampiran lain mungkin mengakibatkan risiko kecederaan kepada orang. Hanya gunakan aksesori atau lampiran untuk tujuan yang dinyatakannya.

Jika anda perlukan bantuan untuk mengetahui lebih lanjut tentang aksesori ini, tanya Pusat Servis Makita tempatan anda.

- Penutup bilah
- Pemasangan bilah ricih
- Bateri dan pengecas asli Makita
- Penadah serpihan

### NOTA:

- Beberapa item dalam senarai mungkin disertakan dalam pakej alat sebagai aksesori standard. Item mungkin berbeza mengikut negara.

## THÔNG SỐ KỸ THUẬT

Kiểu	DUH483	DUH523
Chiều dài lưỡi cắt	480 mm	520 mm
Số nhát mỗi phút (min <sup>-1</sup> )	1.350	
Điện áp định mức	D.C. 18 V	
Tổng chiều dài (Tùy vào pin)	873 - 888 mm	923 - 938 mm
Khối lượng tịnh	3,0 - 3,3 kg	3,0 - 3,4 kg

- Do chương trình nghiên cứu và phát triển liên tục của chúng tôi nên các thông số kỹ thuật trong đây có thể thay đổi mà không cần thông báo trước.
- Các thông số kỹ thuật có thể thay đổi tùy theo từng quốc gia.
- Khối lượng có thể khác nhau tùy thuộc vào (các) phụ kiện, bao gồm cả hộp pin. Tổ hợp nhẹ nhất và nặng nhất, theo Quy trình EPTA 01/2014, được trình bày trong bảng.

### Hộp pin và sạc pin có thể áp dụng

Hộp pin	BL1815N / BL1820B / BL1830B / BL1840B / BL1850B / BL1860B
Bộ sạc	DC18RC / DC18RD / DC18RE / DC18SD / DC18SE / DC18SF / DC18SH

- Một số hộp pin và sạc pin được nêu trong danh sách ở trên có thể không khả dụng tùy thuộc vào khu vực cư trú của bạn.

**⚠ CẢNH BÁO:** Chỉ sử dụng hộp pin và sạc pin được nêu trong danh sách ở trên. Việc sử dụng bất cứ hộp pin và sạc pin nào khác có thể gây ra thương tích và/hoặc hỏa hoạn.





### Nguồn điện kết nối bằng dây được khuyến dùng

Bộ cấp nguồn di động đeo vai	PDC01
------------------------------	-------

- (Các) Nguồn điện kết nối bằng dây được nêu trong danh sách ở trên có thể không khả dụng tùy thuộc vào khu vực cư trú của bạn.
- Trước khi sử dụng nguồn điện kết nối bằng dây, hãy đọc hướng dẫn và nhãn cảnh báo có trên chúng.

### Ký hiệu

Phần dưới đây cho biết các ký hiệu có thể được dùng cho thiết bị. Đảm bảo rằng bạn hiểu rõ ý nghĩa của các ký hiệu này trước khi sử dụng.

-  Đọc tài liệu hướng dẫn.
-  Không được tiếp xúc với hơi ẩm.
-  Đeo thiết bị bảo vệ mắt.
-  NGUY HIỂM - Giữ tay tránh xa lưỡi cắt.



Chỉ dành cho các quốc gia EU  
Do có các thành phần nguy hiểm bên trong thiết bị điện và điện tử, ắc quy và pin thải bỏ nên có thể có tác động không tốt đến môi trường và sức khỏe con người. Không vứt bỏ các thiết bị điện và điện tử hoặc pin với rác thải sinh hoạt!  
Theo Chỉ thị của Châu Âu về thiết bị điện và điện tử thải bỏ và về pin và ắc quy và pin và ắc quy thải bỏ, cũng như sự thích ứng của chúng với luật pháp quốc gia, các thiết bị điện, pin và ắc quy thải phải được cất giữ riêng biệt và chuyển đến một điểm thu gom rác thải đồ thị riêng, hoạt động theo các quy định về bảo vệ môi trường. Điều này được biểu thị bằng biểu tượng thùng rác có bánh xe gạch chéo được đặt trên thiết bị.



Mức công suất âm thanh được đảm bảo theo Chỉ thị về tiếng ồn ngoài trời của EU.



Mức công suất âm thanh theo Quy định kiểm soát tiếng ồn NSW của Úc

## Mục đích sử dụng

Dụng cụ này được dùng để tĩa hàng rào.

## Cảnh báo an toàn chung dành cho dụng cụ máy

**⚠ CẢNH BÁO:** Xin đọc tất cả các cảnh báo an toàn, hướng dẫn, minh họa và thông số kỹ thuật đi kèm với dụng cụ máy này. Việc không tuân theo các hướng dẫn được liệt kê dưới đây có thể dẫn đến điện giật, hỏa hoạn và/hoặc thương tích nghiêm trọng.

## Lưu giữ tất cả cảnh báo và hướng dẫn để tham khảo sau này.

Thuật ngữ “dụng cụ máy” trong các cảnh báo đề cập đến dụng cụ máy (có dây) được vận hành bằng nguồn điện chính hoặc dụng cụ máy (không dây) được vận hành bằng pin của bạn.

### An toàn tại nơi làm việc

- Giữ nơi làm việc sạch sẽ và có đủ ánh sáng.**  
Nơi làm việc bừa bộn hoặc tối thường dễ gây ra tai nạn.
- Không vận hành dụng cụ máy trong môi trường cháy nổ, ví dụ như môi trường có sự hiện diện của các chất lỏng, khí hoặc bụi dễ cháy.** Các dụng cụ máy tạo tia lửa điện có thể làm bụi hoặc khí bốc cháy.
- Giữ trẻ em và người ngoài tránh xa nơi làm việc khi đang vận hành dụng cụ máy.** Sự xao lãng có thể khiến bạn mất khả năng kiểm soát.

### An toàn về điện

- Phích cắm của dụng cụ máy phải khớp với ổ cắm. Không được sửa đổi phích cắm theo bất kỳ cách nào. Không sử dụng bất kỳ phích cắm chuyển đổi nào với các dụng cụ máy được nối đất (tiếp đất).** Các phích cắm còn nguyên vẹn và ổ cắm phù hợp sẽ giảm nguy cơ điện giật.
- Tránh để cơ thể tiếp xúc với các bề mặt nổi đất hoặc tiếp đất như đường ống, bộ tản nhiệt, bếp ga và tủ lạnh.** Nguy cơ bị điện giật sẽ tăng lên nếu cơ thể bạn được nối đất hoặc tiếp đất.
- Không để dụng cụ máy tiếp xúc với mưa hoặc trong điều kiện ẩm ướt.** Nước lọt vào dụng cụ máy sẽ làm tăng nguy cơ điện giật.
- Không lạm dụng dây điện. Không được phép sử dụng dây để mang, kéo hoặc tháo phích cắm dụng cụ máy. Giữ dây tránh xa nguồn nhiệt, dầu, các mép sắc hoặc các bộ phận chuyển động.** Dây bị hỏng hoặc bị rối sẽ làm tăng nguy cơ điện giật.
- Khi vận hành dụng cụ máy ngoài trời, hãy sử dụng dây kéo dài phù hợp cho việc sử dụng ngoài trời.** Việc dùng dây phù hợp cho việc sử dụng ngoài trời sẽ giảm nguy cơ điện giật.
- Nếu bắt buộc phải vận hành dụng cụ máy ở nơi ẩm ướt, hãy sử dụng nguồn cấp điện được bảo vệ bằng thiết bị ngắt dòng điện rò (RCD).** Việc sử dụng RCD sẽ làm giảm nguy cơ điện giật.

- Các dụng cụ máy có thể tạo ra từ trường điện (EMF) có hại cho người dùng.** Tuy nhiên, người dùng máy trợ tim và những thiết bị y tế tương tự khác nên liên hệ với nhà sản xuất thiết bị và/hoặc bác sỹ để được tư vấn trước khi vận hành dụng cụ này.

### An toàn Cá nhân

- Luôn tinh táo, quan sát những việc bạn đang làm và sử dụng những phán đoán theo kinh nghiệm khi vận hành dụng cụ máy. Không sử dụng dụng cụ máy khi bạn đang mệt mỏi hoặc chịu ảnh hưởng của ma túy, rượu hay thuốc.** Chỉ một khoảnh khắc không tập trung khi đang vận hành dụng cụ máy cũng có thể dẫn đến thương tích cá nhân nghiêm trọng.
- Sử dụng thiết bị bảo hộ cá nhân. Luôn đeo thiết bị bảo vệ mắt.** Các thiết bị bảo hộ như mặt nạ chống bụi, giày an toàn chống trượt, mũ bảo hộ hay thiết bị bảo vệ thính giác được sử dụng trong các điều kiện thích hợp sẽ giúp giảm thương tích cá nhân.
- Tránh vô tình khởi động dụng cụ máy. Đảm bảo công tắc ở vị trí off (tắt) trước khi nối nguồn điện và/hoặc bộ pin, cầm hoặc di chuyển dụng cụ máy.** Việc di chuyển dụng cụ máy khi đang đặt ngón tay ở vị trí công tắc hoặc cấp điện cho dụng cụ máy đang bật thường dễ gây ra tai nạn.
- Tháo tất cả các khóa hoặc cờ lê điều chỉnh trước khi bật dụng cụ máy.** Việc cờ lê hoặc khóa vẫn còn gắn vào bộ phận quay của dụng cụ máy có thể dẫn đến thương tích cá nhân.
- Không vịn quá cao. Luôn giữ thăng bằng tốt và có chỗ để chân phù hợp.** Điều này cho phép điều khiển dụng cụ máy tốt hơn trong những tình huống bất ngờ.
- Ăn mặc phù hợp. Không mặc quần áo rộng hay đeo đồ trang sức. Giữ tóc và quần áo tránh xa các bộ phận chuyển động.** Quần áo rộng, đồ trang sức hay tóc dài có thể mắc vào các bộ phận chuyển động.
- Nếu các thiết bị bị được cung cấp để kết nối các thiết bị thu gom và hút bụi, hãy đảm bảo chúng được kết nối và sử dụng hợp lý.** Việc sử dụng thiết bị thu gom bụi có thể làm giảm những mối nguy hiểm liên quan đến bụi.
- Không vì quen thuộc do thường xuyên sử dụng các dụng cụ mà cho phép bạn trở nên tự mãn và bỏ qua các nguyên tắc an toàn dụng cụ.** Một hành động bất cẩn có thể gây ra thương tích nghiêm trọng trong một phần của một giây.
- Luôn luôn mang kính bảo hộ để bảo vệ mắt khỏi bị thương khi đang sử dụng các dụng cụ máy. Kính bảo hộ phải tuân thủ ANSI Z87.1 ở Mỹ, EN 166 ở Châu Âu, hoặc AS/NZS 1336 ở Úc/New Zealand. Tại Úc/New Zealand, theo luật pháp, bạn cũng phải mang mặt nạ để bảo vệ mặt.**



Trách nhiệm của chủ lao động là bắt buộc người vận hành dụng cụ và những người khác trong khu vực làm việc cảnh đó phải sử dụng các thiết bị bảo hộ an toàn thích hợp.

### Sử dụng và bảo quản dụng cụ máy

1. **Không dùng lực đối với dụng cụ máy. Sử dụng đúng dụng cụ máy cho công việc của bạn.** Sử dụng đúng dụng cụ máy sẽ giúp thực hiện công việc tốt hơn và an toàn hơn theo giá trị định mức được thiết kế của dụng cụ máy đó.
2. **Không sử dụng dụng cụ máy nếu công tắc không bật và tắt được dụng cụ máy đó.** Mọi dụng cụ máy không thể điều khiển được bằng công tắc đều rất nguy hiểm và phải được sửa chữa.
3. **Rút phích cắm ra khỏi nguồn điện và/hoặc tháo kết nối bộ pin khỏi dụng cụ máy, nếu có thể tháo rời trước khi thực hiện bất kỳ công việc điều chỉnh, thay đổi phụ tùng hay cất giữ dụng cụ máy nào.** Những biện pháp an toàn phòng ngừa này sẽ giảm nguy cơ vô tình khởi động dụng cụ máy.
4. **Cất giữ các dụng cụ máy không sử dụng ngoài tầm với của trẻ em và không cho bất kỳ người nào không có hiểu biết về dụng cụ máy hoặc các hướng dẫn này vận hành dụng cụ máy.** Dụng cụ máy sẽ rất nguy hiểm nếu được sử dụng bởi những người dùng chưa qua đào tạo.
5. **Bảo dưỡng dụng cụ máy và các phụ kiện.** Kiểm tra tình trạng lệch trục hoặc bó kẹt của các bộ phận chuyên động, hiện tượng nứt vỡ của các bộ phận và mọi tình trạng khác mà có thể ảnh hưởng đến hoạt động của dụng cụ máy. Nếu có hỏng hóc, hãy sửa chữa dụng cụ máy trước khi sử dụng. Nhiều tai nạn xảy ra là do không bảo quản tốt dụng cụ máy.
6. **Luôn giữ cho dụng cụ cất được sắc bén và sạch sẽ.** Những dụng cụ cất được bảo quản tốt có mép cắt sắc sẽ ít bị kẹt hơn và dễ điều khiển hơn.
7. **Sử dụng dụng cụ máy, phụ tùng và đầu dụng cụ cắt, v.v... theo các hướng dẫn này, có tính đến điều kiện làm việc và công việc được thực hiện.** Việc sử dụng dụng cụ máy cho các công việc khác với công việc dự định có thể gây nguy hiểm.
8. **Giữ tay cầm và bề mặt tay cầm khô, sạch, không dính dầu và mỡ.** Tay cầm trơn trượt và bề mặt tay cầm không cho phép xử lý an toàn và kiểm soát dụng cụ trong các tình huống bất ngờ.

9. **Khí sử dụng dụng cụ, không được đi gang tay lao động bằng vải, có thể bị vướng.** Việc gang tay lao động bằng vải vướng vào các bộ phận chuyên động có thể gây ra thương tích cá nhân.

### Sử dụng và bảo quản dụng cụ dùng pin

1. **Chỉ sạc pin lại với bộ sạc do nhà sản xuất quy định.** Bộ sạc phù hợp với một loại bộ pin này có thể gây ra nguy cơ hỏa hoạn khi được dùng cho một bộ pin khác.
2. **Chỉ sử dụng các dụng cụ máy với các bộ pin được quy định cụ thể.** Việc sử dụng bất cứ bộ pin nào khác có thể gây ra thương tích và hỏa hoạn.
3. **Khí không sử dụng bộ pin, hãy giữ tránh xa các đồ vật khác bằng kim loại, chẳng hạn như kẹp giấy, tiền xu, chìa khóa, đinh, ốc vít hoặc các vật nhỏ bằng kim loại mà có thể làm nối tắt các đầu cực pin.** Các đầu cực pin bị đoản mạch có thể gây cháy hoặc hỏa hoạn.
4. **Trong điều kiện sử dụng quá mức, pin có thể bị cháy nước; hãy tránh tiếp xúc.** Nếu vô tình tiếp xúc với pin bị cháy nước, hãy rửa sạch bằng nước. Nếu dung dịch từ pin tiếp xúc với mắt, cần đi khám bác sĩ thêm. Dung dịch chảy ra từ pin có thể gây rát da hoặc bỏng.
5. **Không sử dụng bộ pin hoặc dụng cụ bị hư hỏng hoặc đã bị sửa đổi.** Pin đã bị hư hỏng hoặc đã bị sửa đổi có thể hành động theo cách không thể đoán trước dẫn đến cháy, nổ hoặc nguy cơ chấn thương.
6. **Không để bộ pin hoặc dụng cụ tiếp xúc với lửa hoặc nhiệt độ quá cao.** Tiếp xúc với lửa hoặc nhiệt độ trên 130 °C có thể gây ra cháy nổ.
7. **Làm theo tất cả các hướng dẫn sạc pin và không dùng sạc bộ pin hoặc dụng cụ vượt giới hạn nhiệt độ quy định trong hướng dẫn.** Sạc pin không đúng hoặc ở nhiệt độ vượt giới hạn nhiệt độ có thể gây hư hỏng cho pin và làm tăng nguy cơ cháy.

### Bảo dưỡng

1. **Đề nghị viên sửa chữa đủ trình độ bảo dưỡng dụng cụ máy của bạn và chỉ sử dụng các bộ phụ thay thế đồng nhất.** Việc này sẽ đảm bảo phụ tri được độ an toàn của dụng cụ máy.
2. **Không bao giờ sử dụng bộ pin đã hỏng.** Dịch vụ bảo hành bộ pin chỉ nên thực hiện bởi nhà sản xuất hoặc các nhà cung cấp dịch vụ được ủy quyền.
3. **Tuân theo hướng dẫn dành cho việc bôi trơn và thay phụ tùng.**

### Cảnh Báo An Toàn Đối Với Máy Tia Hàng Rào Chạy Pin

1. **Giữ tất cả các bộ phận cơ thể tránh xa lưỡi cắt. Không gỡ vật liệu bị cắt hoặc giữ vật liệu được cắt khi các lưỡi cắt đang chuyển động.** Lưỡi cắt sẽ tiếp tục chuyển động sau khi tắt công tắc. Chỉ một khoảnh khắc không tập trung khi đang vận hành máy tia hàng rào cũng có thể dẫn đến thương tích cá nhân nghiêm trọng.

2. **Cầm máy tia hàng rào bằng tay cầm với lưỡi cắt đã dừng và chú ý không vận hành bất kỳ công tắc nguồn nào.** Cầm máy tia hàng rào đúng cách sẽ làm giảm nguy cơ vô ý khởi động và thương tích cá nhân phát sinh từ lưỡi cắt.
3. **Khi vận chuyển hay cất giữ máy tia hàng rào, luôn lắp nắp đậy lưỡi cắt.** Xử lý máy tia hàng rào đúng cách sẽ làm giảm nguy cơ thương tích cá nhân từ lưỡi cắt.
4. **Khi loại bỏ vật liệu bị kẹt hoặc bảo dưỡng thiết bị, đảm bảo tắt cả công tắc nguồn đều tắt và tháo hoặc ngắt kết nối bộ pin.** Vận hành máy tia hàng rào bất ngờ trong khi loại bỏ vật liệu bị kẹt hoặc bảo dưỡng có thể dẫn đến thương tích cá nhân nghiêm trọng.
5. **Giữ máy tia hàng rào chỉ bằng các bề mặt kẹp cách điện, vì lưỡi cắt có thể tiếp xúc với dây dẫn điện.** Lưỡi cắt tiếp xúc với dây dẫn “có điện” có thể khiến các bộ phận kim loại bị hở của máy tia hàng rào “có điện” và khiến người vận hành bị điện giật.
6. **Giữ tắt cả dây nguồn và cáp cách xa khỏi khu vực cắt.** Dây nguồn hoặc cáp có thể bị khuấy trong hàng rào hoặc bụi cây và vô tình bị lưỡi dao cắt trúng.
7. **Không sử dụng máy tia hàng rào trong điều kiện thời tiết xấu, đặc biệt là khi có nguy cơ sấm sét.** Việc này sẽ làm giảm được nguy cơ bị sét đánh.

## Các hướng dẫn an toàn bổ sung

### Chuẩn bị

1. **Kiểm tra các vật lạ trên hàng rào và chổi, chẳng hạn như các hàng rào kim loại hoặc dây dẫn kín trước khi vận hành dụng cụ.**
2. **Trẻ em hoặc thanh thiếu niên dưới 18 tuổi không được sử dụng dụng cụ này.** Thanh thiếu niên trên 16 tuổi có thể được miễn hạn chế này nếu được đào tạo dưới sự giám sát của chuyên gia.
3. **Người mới sử dụng lần đầu nên có người biết sử dụng hướng dẫn họ cách sử dụng dụng cụ.**
4. **Chỉ sử dụng thiết bị khi bạn đang ở trong điều kiện thể chất tốt.** Nếu bạn đang mệt mỏi, khả năng chú ý của bạn sẽ bị giảm đi. Đặc biệt cần thận khi kết thúc một ngày làm việc. Thực hiện tất cả công việc một cách bình tĩnh và cẩn thận. Người sử dụng phải chịu trách nhiệm về mọi thiệt hại cho bên thứ ba.
5. **Không bao giờ sử dụng dụng cụ khi chịu ảnh hưởng của rượu, ma túy hay thuốc.**
6. **Găng tay làm việc bằng da dày là một phần của thiết bị cơ bản của dụng cụ và phải luôn mang theo khi làm việc với dụng cụ.** Cũng nên mang giày ủng cứng có đế chống trượt.
7. **Trước khi bắt đầu công việc, kiểm tra xem dụng cụ có trong tình trạng làm việc tốt và an toàn không.** Đảm bảo các phần bảo vệ được lắp đúng cách. Không được sử dụng dụng cụ trừ khi dụng cụ đã được lắp ráp hoàn chỉnh.

### Vận hành

1. **Cầm chắc dụng cụ bằng cả hai tay khi sử dụng.**
2. **Dụng cụ dành cho người vận hành ở mặt đất sử dụng.** Không sử dụng dụng cụ trên thang hoặc bất kỳ giá đỡ không ổn định nào khác.
3. **NGUY HIỂM: Giữ tay tránh xa lưỡi cắt.** Tiếp xúc với lưỡi cắt có thể dẫn tới thương tích cá nhân nghiêm trọng.
4. **Không sử dụng dụng cụ dưới trời mưa hoặc trong điều kiện ướt hoặc rất ẩm thấp.** Mỏ to điện không chống nước.
5. **Đảm bảo rằng bạn luôn có chỗ để chân cố định trước khi bắt đầu vận hành.**
6. **Không vận hành dụng cụ không tải một cách không cần thiết.**
7. **Tắt dụng cụ ngay lập tức và tháo hộp pin nếu lưỡi dao dụng cụ chạm hàng rào hoặc vật cứng khác.** Kiểm xem lưỡi cắt có bị hư hỏng gì không và nếu bị hỏng, hãy thay thế lưỡi cắt ngay lập tức.
8. **Trước khi kiểm tra lưỡi dao, hãy xem xét các lỗi hoặc loại bỏ vật liệu bị kẹt trong lưỡi dao, luôn tắt dụng cụ và tháo hộp pin.**
9. **Không bao giờ hướng lưỡi kéo vào người chính bạn hoặc người khác.**
10. **Nếu các lưỡi dao ngừng di chuyển do các vật lạ ở tác nghẽn giữa các lưỡi dao trong quá trình vận hành, hãy tắt dụng cụ và tháo hộp pin, rồi tháo các vật lạ bằng các dụng cụ như kim.** Dùng tay gỡ các vật lạ có thể gây ra thương tích, vì lý do mà các lưỡi dao có thể di chuyển khi gỡ các vật lạ.
11. **Tránh môi trường nguy hiểm.** Không được sử dụng dụng cụ tại những nơi ẩm thấp hoặc ẩm ướt, hoặc để chúng tiếp xúc với mưa. Nước lọt vào dụng cụ sẽ làm tăng nguy cơ điện giật.

### Bảo dưỡng và cất giữ

1. **Tắt dụng cụ và tháo hộp pin trước khi làm bất cứ công việc bảo dưỡng nào.**
2. **Khi di chuyển dụng cụ đến một vị trí khác, kể cả khi đang vận hành, phải luôn tháo hộp pin và gắn nắp đậy lưỡi cắt lên các lưỡi dao.** Tuyệt đối không mang hoặc vận chuyển dụng cụ có lưỡi cắt đang chạy. Tuyệt đối không ném các lưỡi dao bằng tay.
3. **Vệ sinh dụng cụ và đặc biệt là các lưỡi dao sau khi sử dụng và trước khi đưa dụng cụ vào kho cất giữ trong khoảng thời gian dài.** Tra một ít dầu lên các lưỡi cắt và đậy nắp đậy lưỡi cắt lại.
4. **Cất giữ dụng cụ có gắn nắp đậy lưỡi cắt, ở nơi khô ráo.** Tránh xa tầm với của trẻ em. Không để dụng cụ ngoài trời.
5. **Không bỏ pin (các pin) vào lửa.** Các viên pin có thể phát nổ. Kiểm tra mã vùng để được hướng dẫn xử lý đặc biệt khi có thể.
6. **Không mờ hoặc làm hư hỏng pin (các pin).** Chất điện phân thoát ra sẽ ăn mòn và có thể gây thiệt hại cho da hoặc mắt. Nó có thể độc hại nếu nuốt phải.



- Không sạc pin trong mưa, hoặc nơi ẩm ướt.

## LƯU GIỮ CÁC HƯỚNG DẪN NÀY.

**⚠CẢNH BÁO:** KHÔNG vì đã thoải mái hay quen thuộc với sản phẩm (có được do sử dụng nhiều lần) mà không tuân thủ nghiêm ngặt các quy định về an toàn dành cho sản phẩm này. VIỆC DÙNG SAI hoặc không tuân theo các quy định về an toàn được nêu trong tài liệu hướng dẫn này có thể dẫn đến thương tích cá nhân nghiêm trọng.

### Hướng dẫn quan trọng về an toàn dành cho hộp pin

- Trước khi sử dụng hộp pin, hãy đọc kỹ tất cả các hướng dẫn và dấu hiệu cảnh báo trên (1) bộ sạc pin, (2) pin và (3) sản phẩm sử dụng pin.
- Không tháo rời hoặc làm thay đổi hộp pin. Việc này có thể dẫn đến hỏa hoạn, quá nhiệt hoặc nổ.
- Nếu thời gian vận hành ngắn hơn quá mức, hãy ngừng vận hành ngay lập tức. Điều này có thể dẫn đến rủi ro quá nhiệt, có thể gây bỏng và thậm chí là nổ.
- Nếu chất điện phân rơi vào mắt, hãy rửa sạch bằng nước sạch và đến cơ sở y tế ngay lập tức. Chất này có thể khiến bạn giảm thị lực.
- Không để hộp pin ở tình trạng đoản mạch:
  - Không chạm vào cực pin bằng vật liệu dẫn điện.
  - Tránh cất giữ hộp pin trong hộp có các vật kim loại khác như đinh, tiền xu, v.v...
  - Không được để hộp pin tiếp xúc với nước hoặc mưa.Đoản mạch pin có thể gây ra dòng điện lớn, quá nhiệt, có thể gây bỏng và thậm chí là hỏng hóc.
- Không cất giữ cũng như sử dụng dụng cụ và hộp pin ở nơi nhiệt độ có thể lên tới hoặc vượt quá 50 °C (122 °F).
- Không đốt hộp pin ngay cả khi hộp pin đã bị hư hại nặng hoặc hư hỏng hoàn toàn. Hộp pin có thể nổ khi tiếp xúc với lửa.
- Không đóng đinh, cắt, nghiền nát, ném, làm rơi hộp pin hoặc va vật cứng vào hộp pin. Làm như thế có thể dẫn đến hỏa hoạn, quá nhiệt hoặc nổ.
- Không sử dụng pin đã hỏng.
- Pin nén lithium-ion là đối tượng có yêu cầu bắt buộc theo Luật Hàng hoá Nguy hiểm. Đối với vận tải thương mại, ví dụ như vận tải do bên thứ ba, đại lý giao nhận, thì yêu cầu đặc biệt về đóng gói và nhãn ghi phải được giám sát. Để chuẩn bị cho mặt hàng cần vận chuyển, cần phải tham khảo ý kiến chuyên gia về vật liệu nguy hiểm. Nếu được, vui lòng tuân thủ các quy định quốc gia chi tiết hơn. Buộc hoặc niêm phong các tiếp điểm mở và đóng gói pin theo cách đó để nó không thể di chuyển trong bao bì.

- Khí vút bỏ hộp pin, hãy tháo chúng khỏi dụng cụ và thả bỏ ở nơi an toàn. Phải tuân thủ theo các quy định của địa phương liên quan đến việc thải bỏ pin.
- Chỉ sử dụng pin cho các sản phẩm Makita chỉ định. Lắp pin vào sản phẩm không thích hợp có thể gây ra hỏa hoạn, quá nhiệt, nổ, hoặc rò chất điện phân.
- Nếu dụng cụ không được sử dụng trong một thời gian dài, cần phải tháo pin ra khỏi dụng cụ.
- Trong và sau khi sử dụng, hộp pin có thể bị nóng, có thể gây bỏng hoặc bỏng ở nhiệt độ thấp. Chú ý xử lý hộp pin nóng.
- Không chạm vào điện cực của dụng cụ ngay sau khi sử dụng vì điện cực đủ nóng để gây bỏng.
- Không để vận bào, bụi hoặc đất bám vào các điện cực, lỗ và rãnh của hộp pin. Việc này có thể dẫn đến hiệu suất kém hoặc hỏng hóc dụng cụ hay hộp pin.
- Trừ khi dụng cụ hỗ trợ sử dụng gần đường dây điện cao thế, không sử dụng hộp pin gần đường dây điện cao thế. Việc này có thể dẫn đến trực tiếp hoặc hỏng hóc dụng cụ hay hộp pin.
- Giữ pin tránh xa trẻ em.

## LƯU GIỮ CÁC HƯỚNG DẪN NÀY.

**⚠THẬN TRỌNG:** Chỉ sử dụng pin Makita chính hãng. Việc sử dụng pin không chính hãng Makita, hoặc pin đã được sửa đổi, có thể dẫn đến nổ pin gây ra cháy, thương tích và thiệt hại cá nhân. Nó cũng sẽ làm mất hiệu lực bảo hành của Makita dành cho dụng cụ của Makita và bộ sạc.

## Mẹo duy trì tuổi thọ tối đa cho pin

- Sạc hộp pin trước khi pin bị xả điện hoàn toàn. Luôn dừng việc vận hành dụng cụ và sạc pin khi bạn nhận thấy công suất dụng cụ bị giảm.
- Không được phép sạc lại một hộp pin đã được sạc đầy. Sạc quá mức sẽ làm giảm tuổi thọ của pin.
- Sạc pin ở nhiệt độ phòng 10°C - 40°C. Để cho hộp pin nóng nguội lại dần trước khi sạc pin.
- Khi không sử dụng hộp pin, hãy tháo hộp pin ra khỏi dụng cụ hoặc bộ sạc.
- Sạc pin sáu tháng một lần nếu bạn không sử dụng dụng cụ trong một thời gian dài (hơn sáu tháng).

# MÔ TẢ CHỨC NĂNG

## ⚠ THẬN TRỌNG:

- Luôn đảm bảo rằng đã tắt dụng cụ và tháo hộp pin ra trước khi thực hiện việc điều chỉnh hoặc kiểm tra chức năng trên dụng cụ.

## Lắp hoặc tháo hộp pin

▶ **Hình1:** 1. Chỉ báo màu đỏ 2. Nút 3. Hộp pin

## ⚠ THẬN TRỌNG:

- Luôn tắt dụng cụ trước khi lắp hoặc tháo hộp pin.
- **Giữ dụng cụ và hộp pin thật chắc khi lắp hoặc tháo hộp pin.** Không giữ chắc dụng cụ và hộp pin có thể làm trượt chúng khỏi tay và gây ra hư hỏng dụng cụ và hộp pin hoặc gây thương tích cá nhân.

Để tháo hộp pin, hãy trượt nó ra từ dụng cụ trong lúc trượt nút ở phía trước hộp pin.

Để lắp hộp pin, đặt thẳng hàng phần chốt nhô ra của hộp pin vào phần rãnh nằm trên vỏ và trượt hộp pin vào vị trí. Đưa hộp pin vào hết mức cho đến khi chốt khóa vào đúng vị trí với một tiếng cách nhẹ. Nếu bạn có thể nhìn thấy chỉ báo màu đỏ ở mặt trên của nút, điều đó có nghĩa là chốt vẫn chưa được khóa hoàn toàn.

## ⚠ THẬN TRỌNG:

- Luôn lắp hộp pin khớp hoàn toàn vào vị trí cho đến khi không thể nhìn thấy chỉ báo màu đỏ. Nếu không, hộp pin có thể vô tình rơi ra khỏi dụng cụ, gây thương tích cho bạn hoặc người khác xung quanh.
- Không được dùng sức lắp hộp pin. Nếu hộp pin không nhẹ nhàng trượt vào vị trí, có nghĩa là pin vẫn chưa được lắp đúng.

## Hệ thống bảo vệ pin (Hộp pin Lithium-ion có dấu sao)

▶ **Hình2:** 1. Dấu sao

Các pin Lithium-ion có dấu sao được trang bị hệ thống bảo vệ. Hệ thống này sẽ tự động ngắt nguồn điện đến dụng cụ để kéo dài tuổi thọ pin.

Dụng cụ sẽ tự động dừng vận hành khi dụng cụ và/hoặc pin ở một trong những tình huống sau đây:

- **Quá tải:**  
Dụng cụ được vận hành theo cách gây ra dòng điện cao bất thường.  
Trong trường hợp này, hãy nhả cần khởi động công tắc trên dụng cụ và ngừng việc sử dụng đã làm cho dụng cụ trở nên quá tải. Sau đó kéo cần khởi động công tắc một lần nữa để khởi động lại.  
Nếu dụng cụ không khởi động, pin đang bị quá nhiệt. Trong tình huống này, hãy để pin nguội trở lại trước khi kéo lại cần khởi động công tắc.
- **Điện thế pin thấp:**  
Dung lượng pin còn lại quá thấp và dụng cụ sẽ không hoạt động. Trong tình huống này, hãy tháo và sạc pin lại.

# Chỉ báo dung lượng pin còn lại

(Chỉ dành cho các hộp pin có “B” ở cuối số kiểu máy.)

▶ **Hình3:** 1. Các đèn chỉ báo 2. Nút CHECK (KIỂM TRA)

Ấn nút check (kiểm tra) trên hộp pin để chỉ báo dung lượng pin còn lại. Các đèn chỉ báo bật sáng lên trong vài giây.

Các đèn chỉ báo			Dung lượng còn lại
Bật sáng	Tắt	Nhấp nháy	
■ ■ ■ ■			75% đến 100%
■ ■ ■ □			50% đến 75%
■ ■ □ □			25% đến 50%
■ □ □ □			0% đến 25%
▣ □ □ □			Sạc pin.
■ ■ □ □	↑ ↓	■ ■ ■ ■	Pin có thể đã gặp trục trặc.

## LƯU Ý:

- Tùy thuộc vào các điều kiện sử dụng và nhiệt độ môi trường xung quanh, việc chỉ báo có thể khác biệt một chút so với dung lượng thực tế.

## Hoạt động công tắc

### ⚠ THẬN TRỌNG:

- Trước khi lắp hộp pin vào dụng cụ, luôn kiểm tra để đảm bảo cần khởi động công tắc hoạt động bình thường và trả về vị trí “TẮT” khi nhả ra.

▶ **Hình4:** 1. Cần khởi động công tắc A 2. Cần khởi động công tắc B 3. Nút nhả khóa

Vì sự an toàn của bạn, dụng cụ này được trang bị một hệ thống công tắc kép. Để bật dụng cụ, nhấn nút nhả khóa và các cần khởi động A và B. Nhả một trong hai cần khởi động đã nhấn để tắt. Trình tự của các công tắc không quan trọng bằng việc dụng cụ này chỉ bắt đầu khi đã kích hoạt cả hai công tắc.

## Đèn chỉ báo

### ► Hình5: 1. Đèn chỉ báo

Chạy dụng cụ sẽ cho phép đèn chỉ báo hiển thị tình trạng dung lượng hộp pin.

Khi dụng cụ cũng bị quá tải và ngừng trong quá trình vận hành, đèn sáng lên màu đỏ.

Tham khảo bảng dưới đây để biết tình trạng và các bước cần thực hiện cho đèn chỉ báo.

Đèn chỉ báo	Tình trạng	Các bước cần thực hiện
Đèn nhấp nháy màu đỏ.	Điều này cho biết thời gian thích hợp để thay thế hộp pin khi năng lượng pin trở nên thấp.	Sạc pin lại trong hộp pin càng sớm càng tốt.
Đèn sáng lên màu đỏ. (Lưu ý 1)	Chức năng này hoạt động khi năng lượng pin hầu như đã cạn kiệt. Vào lúc này, dụng cụ sẽ ngừng lại ngay lập tức.	Sạc pin lại cho hộp pin.
Đèn sáng lên màu đỏ. (Lưu ý 1)	Tự động dừng do quá tải.	Tắt dụng cụ.

Lưu ý 1: Thời gian mà tại đó các đèn chỉ báo sáng lên sẽ thay đổi tùy theo nhiệt độ xung quanh khu vực làm việc và tình trạng hộp pin.

## VẬN HÀNH

### ⚠ THẬN TRỌNG:

- Cần thận để không vô tình tiếp xúc với hàng rào sắt hoặc các vật cứng khác khi đang cắt tỉa. Lưỡi cắt sẽ bị vỡ và có thể gây ra thương tích nghiêm trọng.
- Leo lên cao với máy tỉa hàng rào, đặc biệt là từ thang, là rất nguy hiểm. Không được làm việc khi bất cứ thứ gì lung lay hoặc không chắc chắn.

**CHÚ Ý:** Không được cố cắt các cành cây lớn hơn đường kính 10 mm bằng dụng cụ này. Cắt các cành lớn thành 10 cm thấp hơn chiều cao cắt bằng cách sử dụng dụng cụ cắt cành trước khi dùng dụng cụ này.

► Hình6: (1) Chiều cao cắt (2) 10 cm

### ⚠ THẬN TRỌNG:

- Không được cắt cây chết khô hoặc các vật cứng tương tự. Nếu không, làm như vậy có thể làm hỏng dụng cụ.

► Hình7

Giữ máy đánh cành cầm tay hoạt động bằng động cơ điện bằng cả hai tay và kéo cần khởi động công tắc A hoặc B sau đó di chuyển máy ở trước cơ thể bạn.

► Hình8: 1. Hướng cắt tỉa 2. Mặt hàng rào cần cắt tỉa 3. Nghiêng lưỡi dao

Ở chế độ vận hành cơ bản, nghiêng lưỡi dao theo hướng cắt tỉa và di chuyển cẩn thận và từ từ với tốc độ 3 - 4 giây mỗi mét.

► Hình9: 1. Chuổi

Để tỉa phần đầu hàng rào được đều, buộc dây đai ở độ cao hàng rào mong muốn và cắt dọc theo nó, sử dụng nó làm đường tham chiếu.

► Hình10

Gắn bộ nhận vô bào (phụ kiện tùy chọn) vào dụng cụ khi tỉa hàng rào thẳng có thể tránh cắt phải lá đã bị văng ra.

► Hình11

Để cắt một bên hàng rào được đều, sẽ có ích nếu cắt từ dưới lên trên.

► Hình12

Cắt gỗ hoang dương hay đồ quyền từ để về phía đầu để có một vết cắt đẹp và mịn.

## Lắp hoặc tháo bộ nhận vô bào (phụ kiện tùy chọn)

### ⚠ THẬN TRỌNG:

- Luôn đảm bảo rằng dụng cụ này đã được tắt và rút phích cắm trước khi lắp hoặc tháo bộ nhận vô bào.

### LƯU Ý:

- Khi thay thế bộ nhận vô bào, luôn đeo găng tay để tay và mặt không tiếp xúc trực tiếp với lưỡi dao. Nếu không làm như vậy có thể gây ra thương tích cá nhân.
- Luôn đảm bảo rằng đã tháo nắp đậy lưỡi dao ra trước khi lắp bộ nhận vô bào.
- Bộ nhận vô bào sẽ thu lá đã được cắt và làm giảm bớt việc thu dọn lá bị văng ra. Móc treo có thể được lắp ở cả hai bên của dụng cụ.

► Hình13: 1. Nhấn 2. Bộ nhận vô bào 3. Đai ốc 4. Lưỡi dao

Nhấn bộ nhận vô bào trên các lưỡi dao sao cho khe hở của nó khớp với đai ốc trên lưỡi dao.

► **Hình14:** 1. Các móc treo 2. Khớp với các móc trong rãnh 3. Các rãnh

Lúc này, bộ nhận vô bào cần được lắp đặt sao cho móc treo của nó khớp với các rãnh trong bộ lưỡi dao.

► **Hình15:** 1. Nhấn cần ở cả hai phía 2. Tháo các móc treo

Để tháo bộ nhận vô bào, nhấn cần của nó ở cả hai phía để tháo móc treo ra.

#### **⚠ THẬN TRỌNG:**

- Nắp đẩy lưỡi dao (thiết bị chuẩn) không thể lắp đặt trên dụng cụ đang lắp bộ nhận vô bào. Trước khi mang đi hoặc cất giữ, tháo rời bộ nhận vô bào rồi gắn nắp đẩy lưỡi dao để tránh cho lưỡi dao lộ ra ngoài.

#### **LƯU Ý:**

- Kiểm tra bộ nhận vô bào đã được lắp chắc chắn chưa trước khi sử dụng.
- Không được thử tháo bộ nhận vô bào bằng cách dùng quá nhiều lực trên các móc treo đã được gắn cố định vào các rãnh của lưỡi dao. Dùng quá nhiều lực có thể gây hư hỏng bộ nhận.

## BẢO TRÌ

#### **⚠ THẬN TRỌNG:**

- Luôn đảm bảo rằng đã tắt dụng cụ và tháo hộp pin trước khi cố gắng thực hiện việc kiểm tra hay bảo dưỡng.

### Làm sạch dụng cụ

Làm sạch dụng cụ bằng cách lau bụi với miếng giẻ khô hoặc được nhúng xà bông.

#### **⚠ THẬN TRỌNG:**

- Không được phép dùng xăng, ét xăng, dung môi, cồn hoặc hóa chất tương tự. Có thể xảy ra hiện tượng mất màu, biến dạng hoặc nứt vỡ.

### Bảo dưỡng lưỡi dao

Bôi trơn lưỡi dao trước và một lần mỗi giờ trong khi vận hành bằng dầu máy hoặc chất tương tự.

#### **LƯU Ý:**

- Trước khi bôi trơn lưỡi dao, hãy tháo bộ nhận vô bào.

Sau khi sử dụng, loại bỏ bụi từ cả hai bên lưỡi dao bằng chổi kim loại, lau sạch lưỡi dao bằng một miếng giẻ sau đó bôi đủ dầu có độ nhớt thấp, chẳng hạn như dầu máy, v.v... và phun dầu bôi trơn loại phun.

#### **⚠ THẬN TRỌNG:**

- Không được rửa lưỡi dao với nước. Nếu không, làm như vậy có thể làm rỉ sét hoặc hư hỏng dụng cụ.

## Tháo hoặc lắp các lưỡi bào

#### **⚠ THẬN TRỌNG:**

- Trước khi tháo hoặc lắp lưỡi dao, luôn đảm bảo rằng đã tắt dụng cụ và tháo hộp pin.
- Khi thay thế lưỡi dao, luôn đeo găng tay mà không tháo nắp đẩy lưỡi dao để tay và mặt không tiếp xúc trực tiếp với lưỡi dao. Nếu không làm như vậy có thể gây ra thương tích cá nhân.

#### **LƯU Ý:**

- Không được lau dầu bôi trơn ở bánh răng và tay quay. Nếu không, làm như vậy có thể gây ra hư hỏng dụng cụ.

## Tháo các lưỡi dao

► **Hình16:** 1. Vít 2. Nắp dưới

Đào chiều dụng cụ và rời lỏng bốn vít rồi tháo nắp dưới.

#### **LƯU Ý:**

- Cần thận không để rơi tay khi tra dầu bôi trơn ở khu vực truyền động của lưỡi dao.

► **Hình17:** 1. Vít 2. Bọt xốp 3. Vòng đệm

Nới lỏng bốn vít và tháo các lưỡi dao. Tháo vòng đệm và bọt biển ra khỏi lưỡi dao rồi đặt chúng sang một bên. Những vật này sẽ cần thiết cho việc lắp đặt sau đó.

► **Hình18:** 1. Bánh răng 2. Trụ ngoài 3. Vòng đệm 4. Rãnh

Nếu trụ ngoài vẫn còn trong các lỗ của bánh răng, hãy tháo bánh răng và đặt trụ ngoài ra khỏi đó bằng tuốc-nơ-vít hoặc dụng cụ tương tự.

**LƯU Ý:** Vòng đệm bên dưới bánh răng có thể rơi ra do nhầm lẫn khi tháo bánh răng. Trong trường hợp này, hãy tra nó về vị trí ban đầu như nó được lắp đặt.

## Lắp các lưỡi dao

► **Hình19:** 1. Nắp đẩy lưỡi dao

Tháo nắp đẩy lưỡi dao ra khỏi lưỡi dao cũ và gắn vào lưỡi mới để tránh tiếp xúc với lưỡi dao.

► **Hình20**

Điều chỉnh vị trí lỗ bằng cách xoay bánh răng như minh họa.

► **Hình21:** 1. Dầu mỡ

► **Hình22:** 1. Dầu mỡ

Tra một ít dầu bôi trơn được cung cấp kèm theo lưỡi dao mới như minh họa.

► **Hình23:** 1. Lưỡi 2. Bọt xốp 3. Trụ ngoài

Đặt miếng bọt biển đã tháo vào cùng vị trí với cái cũ. Đảm bảo rằng các trụ ngoài được cung cấp kèm theo lưỡi dao mới được đặt trên chốt của lưỡi dao. Đặt lưỡi dao mới lên dụng cụ sao cho các chốt khớp với lỗ của bánh răng. Nếu trụ ngoài trên các chốt rơi ra do nhầm lẫn, hãy đặt chúng vào các lỗ của bánh răng trước.

► **Hình24:** 1. Vít 2. Vòng đệm

Lắp lưỡi dao và vận chặt bốn vít rồi đặt vòng đệm đã tháo vào cùng vị trí như cái cũ.

► **Hình25:** 1. Vít

Lắp nắp dưới lên dụng cụ và vận chặt bốn vít.

## Cất giữ

Lỗ để móc ở dưới đáy dụng cụ thuận tiện cho việc treo dụng cụ trên đinh hoặc vít trên tường.

### ► Hình 26

Tháo hộp pin và đặt nắp đậy lưới dao lên lưới dao sao cho lưới không lộ ra. Cất giữ dụng cụ cẩn thận để ngoài tầm với trẻ em.

Cất giữ dụng cụ ở địa điểm không tiếp xúc với nước và mưa.

Để đảm bảo AN TOÀN và TIN CẬY của sản phẩm, việc sửa chữa hoặc bất cứ thao tác bảo dưỡng hay điều chỉnh nào đều phải được thực hiện bởi các Trung tâm dịch vụ được ủy quyền của Makita, luôn sử dụng các phụ tùng thay thế của Makita.

## PHỤ KIỆN TỰY CHỌN

### **⚠ THẬN TRỌNG:**

- Các phụ kiện hoặc phụ tùng gắn thêm này được khuyến cáo sử dụng với dụng cụ Makita của bạn theo như quy định trong hướng dẫn này. Việc sử dụng bất cứ phụ kiện hoặc phụ tùng gắn thêm nào khác đều có thể gây ra rủi ro thương tích cho người. Chỉ sử dụng phụ kiện hoặc phụ tùng gắn thêm cho mục đích đã quy định sẵn của chúng.

Nếu bạn cần hỗ trợ để biết thêm chi tiết về những phụ kiện này, hãy liên hệ với trung tâm dịch vụ của Makita tại địa phương của bạn.

- Nắp đậy lưới dao
- Bộ lắp ráp lưới dao
- Pin và bộ sạc chính hãng của Makita
- Bộ nhận vỏ bảo

### **LƯU Ý:**

- Một số mục trong danh sách có thể được bao gồm trong gói dụng cụ làm phụ kiện tiêu chuẩn. Các mục này ở mỗi quốc gia có thể khác nhau.

## ข้อมูลจำเพาะ

รุ่น	DUH483	DUH523
ความยาวใบเลื่อย	480 mm	520 mm
อัตราการชักใบมีดต่อนาที (min <sup>-1</sup> )	1,350	
แรงดันไฟฟ้าที่กำหนด	D.C. 18 V	
ความยาวโดยรวม (ขึ้นอยู่กับแบตเตอรี่)	873 - 888 mm	923 - 938 mm
น้ำหนักสุทธิ	3.0 - 3.3 kg	3.0 - 3.4 kg

- เนื่องจากการค้นคว้าวิจัยและพัฒนาอย่างต่อเนื่อง ข้อมูลจำเพาะในเอกสารฉบับนี้อาจเปลี่ยนแปลงได้โดยไม่ต้องแจ้งให้ทราบล่วงหน้า
- ข้อมูลจำเพาะอาจแตกต่างกันไปในแต่ละประเทศ
- น้ำหนักอาจแตกต่างกันไปตามอุปกรณ์เสริม รวมถึงตลับแบตเตอรี่ การติดอุปกรณ์เสริมที่เบาที่สุดและหนักที่สุดตามข้อบังคับของ EPTA 01/2014 มีแสดงอยู่ในตาราง

### ตลับแบตเตอรี่และเครื่องชาร์จที่ใช้ได้

ตลับแบตเตอรี่	BL1815N / BL1820B / BL1830B / BL1840B / BL1850B / BL1860B
เครื่องชาร์จ	DC18RC / DC18RD / DC18RE / DC18SD / DC18SE / DC18SF / DC18SH

- ตลับแบตเตอรี่และเครื่องชาร์จบางรายการที่แสดงอยู่ด้านบนอาจไม่มีจำหน่ายขึ้นอยู่กับภูมิภาคที่คุณอาศัยอยู่

**คำเตือน:** ใช้ตลับแบตเตอรี่และเครื่องชาร์จที่ระบุไว้ข้างบนเท่านั้น การใช้ตลับแบตเตอรี่และเครื่องชาร์จประเภทอื่นอาจก่อให้เกิดความเสี่ยงที่จะได้รับบาดเจ็บและ/หรือเกิดไฟไหม้

### แหล่งจ่ายไฟแบบเชื่อมต่อสายไฟที่แนะนำ

ชุดต้นกำลังแบบพกพา	PDC01
--------------------	-------

- แหล่งจ่ายไฟแบบเชื่อมต่อสายไฟตามรายการด้านบนอาจไม่มีจำหน่ายขึ้นอยู่กับภูมิภาคที่คุณอยู่
- ก่อนใช้งานแหล่งจ่ายไฟแบบเชื่อมต่อสายไฟให้อ่านคำแนะนำและเครื่องหมายเตือนที่ติดอยู่

## สัญลักษณ์

ต่อไปนี้เป็นสัญลักษณ์ที่อาจใช้สำหรับอุปกรณ์ โปรดศึกษาความหมายของสัญลักษณ์ให้เข้าใจก่อนการใช้งาน



อ่านคู่มือการใช้งาน



อย่าให้โดนความชื้น



สวมอุปกรณ์ป้องกันดวงตา



อันตราย - ดูแลให้มืออยู่ห่างจากใบเลื่อย



สำหรับประเทศในสหภาพยุโรปเท่านั้น เนื่องจากในอุปกรณ์มีส่วนประกอบอันตราย ชยะจำพวกอุปกรณ์ไฟฟ้า และอิเล็กทรอนิกส์ แบตเตอรี่ และหม้อแบตเตอรี่จึงอาจส่งผลกระทบต่อสิ่งแวดล้อมและสุขภาพของมนุษย์ในเชิงลบ

อย่าทิ้งเครื่องใช้ไฟฟ้าและอิเล็กทรอนิกส์ หรือแบตเตอรี่ร่วมกับวัสดุเหลือทิ้งในครัวเรือน!

เพื่อให้เป็นไปตามกฎระเบียบของยุโรป ว่าด้วยชยะจำพวกอุปกรณ์ไฟฟ้าและอิเล็กทรอนิกส์ และหม้อสะสมไฟฟ้าและแบตเตอรี่ และชยะจำพวกหม้อสะสมไฟฟ้าและแบตเตอรี่ รวมถึงการบังคับใช้ตามกฎหมายภายในประเทศ ควรมีการจัดเก็บชยะจำพวกอุปกรณ์ไฟฟ้า แบตเตอรี่ และหม้อสะสมไฟฟ้าแยกต่างหากและส่งไปยังจุดรับชยะต่างหากในเขตเทศบาลซึ่งมีการดำเนินการตามระเบียบว่าด้วยการดูแลสิ่งแวดล้อม

โดยระบุด้วยสัญลักษณ์เส้นคาดขวางรูปถังชยะแบบมีล้อไว้บนอุปกรณ์



ผ่านการรับรองระดับพลังงานเสียงตามกฎระเบียบว่าด้วยเสียงรบกวนภายนอกของสหภาพยุโรป



ระดับพลังงานเสียงตามข้อบังคับการควบคุมเสียงรบกวนของรัฐนิวเซาท์เวลส์ ประเทศออสเตรเลีย

## จุดประสงค์การใช้งาน

เครื่องมือนี้ใช้สำหรับตัดแต่งพุ่มไม้

## คำเตือนด้านความปลอดภัยของเครื่องมือไฟฟ้าทั่วไป

**คำเตือน:** โปรดอ่านคำเตือนด้านความปลอดภัย คำแนะนำ ภาพประกอบ และข้อมูลจำเพาะต่างๆ ที่ให้มา กับเครื่องมือไฟฟ้านี้อย่างละเอียด การไม่ปฏิบัติตามคำแนะนำดังต่อไปนี้ อาจส่งผลให้เกิดไฟฟ้าช็อต ไฟไหม้ หรือได้รับบาดเจ็บอย่างร้ายแรงได้

## เก็บรักษาคำเตือนและคำแนะนำทั้งหมดไว้เป็นข้อมูลอ้างอิงในอนาคต

คำว่า “เครื่องมือไฟฟ้า” ในคำเตือนนี้หมายถึงเครื่องมือไฟฟ้า (มีสาย) ที่ทำงานโดยใช้กระแสไฟฟ้าหรือเครื่องมือไฟฟ้า (ไร้สาย) ที่ทำงานโดยใช้แบตเตอรี่

### ความปลอดภัยของพื้นที่ทำงาน

1. ดูแลพื้นที่ทำงานให้มีความสะอาดและมีแสงไฟสว่าง พื้นที่ที่กระเบื้องกระเบื้องหรือมัตที่บางอาจนำไปสู่การเกิดอุบัติเหตุได้
2. อย่าใช้งานเครื่องมือไฟฟ้าในสภาพที่อาจเกิดการระเบิด เช่น ในสถานที่ที่มีของเหลว ก๊าซ หรือฝุ่นผงที่มีคุณสมบัติไวไฟ เครื่องมือไฟฟ้าอาจสร้างประกายไฟและจุดชนวนฝุ่นผงหรือก๊าซดังกล่าว
3. ดูแลไม่ให้มีเด็กๆ หรือบุคคลอื่นอยู่ในบริเวณที่กำลังใช้เครื่องมือไฟฟ้า การมีสิ่งรบกวนสมาธิอาจทำให้คุณสูญเสียการควบคุม

### ความปลอดภัยด้านไฟฟ้า

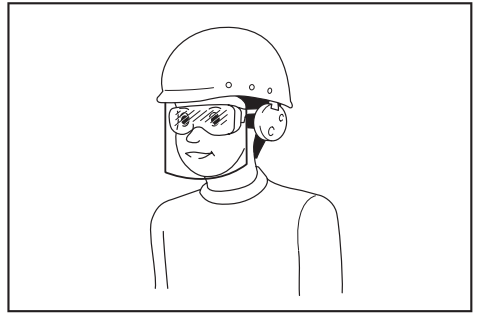
1. ปลั๊กของเครื่องมือไฟฟ้าต้องพอดีกับเต้ารับ อย่าดัดแปลงปลั๊กไม่ว่ากรณีใดๆ อย่าใช้ปลั๊กอะแดปเตอร์กับเครื่องมือไฟฟ้าที่ต่อสายดิน ปลั๊กที่ไม่ถูกดัดแปลงและเต้ารับที่เข้ากันพอดีจะช่วยลดความเสี่ยงของการเกิดไฟฟ้าช็อต
2. ระวังอย่าให้ร่างกายสัมผัสกับพื้นผิวที่ต่อสายดิน เช่น ท่อ เครื่องนำความร้อน เตาहुงต้ม และตู้เย็น มีความเสี่ยงที่จะเกิดไฟฟ้าช็อตสูงขึ้น หากร่างกายของคุณสัมผัสกับพื้น
3. อย่าให้เครื่องมือไฟฟ้าถูกน้ำหรืออยู่ในสภาพเปียกชื้น น้ำที่ไหลเข้าไปในเครื่องมือไฟฟ้าจะเพิ่มความเสี่ยงของการเกิดไฟฟ้าช็อต
4. อย่าใช้สายไฟอย่างไม่เหมาะสม อย่าใช้สายไฟเพื่อยก ดึง หรือถอดปลั๊กเครื่องมือไฟฟ้า เก็บสายไฟให้ห่างจากความร้อน น้ำมัน ของมีคม หรือชิ้นส่วนที่เคลื่อนที่ สายที่ชำรุดหรือพันกันจะเพิ่มความเสี่ยงของการเกิดไฟฟ้าช็อต



- ขณะที่ใช้งานเครื่องมือไฟฟ้านอกอาคาร ควรใช้สายต่อพ่วงที่เหมาะสมกับงานภายนอกอาคาร การใช้สายที่เหมาะสมกับงานภายนอกอาคารจะลดความเสี่ยงของการเกิดไฟฟ้าช็อต
- หากต้องใช้งานเครื่องมือไฟฟ้าในสถานที่เปียกชื้น ให้ใช้อุปกรณ์ป้องกันกระแสไฟรั่ว (RCD) การใช้ RCD จะลดความเสี่ยงของการเกิดไฟฟ้าช็อต
- เครื่องมือไฟฟ้าอาจสร้างสนามแม่เหล็ก (EMF) ที่ไม่เป็นอันตรายต่อผู้ใช้ อย่างไรก็ตาม ผู้ใช้ที่ใส่เครื่องกระตุ้นหัวใจและอุปกรณ์ทางการแพทย์ที่คล้ายกันนี้ ควรติดต่อผู้ผลิตอุปกรณ์และ/หรือแพทย์เพื่อรับคำแนะนำก่อนใช้งานเครื่องมือไฟฟ้านี้
- อย่าให้ความคุ้นเคยจากการใช้งานเครื่องมือเป็นประจำทำให้คุณทำตามตามสบายและละเลยหลักการเพื่อความปลอดภัยในการใช้เครื่องมือ การกระทำที่เผลอ翼翼อาจทำให้เกิดการบาดเจ็บร้ายแรงภายในเสี้ยววินาที
- สวมใส่แว่นครอบตานิรภัยเพื่อปกป้องดวงตาของคุณจากการบาดเจ็บเมื่อใช้เครื่องมือไฟฟ้า แว่นครอบตาจะต้องได้มาตรฐาน ANSI Z87.1 ในสหรัฐอเมริกา, EN 166 ในยุโรป หรือ AS/NZS 1336 ในออสเตรเลีย/นิวซีแลนด์ ในออสเตรเลีย/นิวซีแลนด์ จะต้องสวมเกราะป้องกันใบหน่าเพื่อปกป้องใบหน้าของคุณอย่างถูกต้องตามกฎหมายด้วย

#### ความปลอดภัยส่วนบุคคล

- ให้ระมัดระวังและมีสติอยู่เสมอขณะใช้งานเครื่องมือไฟฟ้า อย่าใช้งานเครื่องมือไฟฟ้าในขณะที่คุณกำลังเหนื่อย หรือในสภาพที่มึนเมาจากยาเสพติด เครื่องดื่ม แอลกอฮอล์ หรือการเข้ายา ชั่วขณะที่ขาดความระมัดระวังเมื่อกำลังใช้งานเครื่องมือไฟฟ้าอาจทำให้ได้รับบาดเจ็บร้ายแรง
- ใช้อุปกรณ์ป้องกันส่วนบุคคล สวมแว่นตาป้องกันเสมอ อุปกรณ์ป้องกัน เช่น หน้ากากกันฝุ่น รองเท้านิรภัยกันลื่น หมวกนิรภัย หรือเครื่องป้องกันการไถ้ยในที่ใช้ในสภาพที่เหมาะสมจะช่วยลดการบาดเจ็บ
- ป้องกันไม่ให้เกิดการเปิดใช้งานโดยไม่ตั้งใจ ตรวจสอบให้แน่ใจว่าสวิตช์ปิดอยู่ก่อนที่จะเชื่อมต่อกับแหล่งจ่ายไฟ และ/หรือชุดแบตเตอรี่ รวมทั้งตรวจสอบก่อนการยกหรือเคลื่อนย้ายเครื่องมือ การถอดหัวมีอบริเวณสวิตช์เพื่อถ่วงเครื่องมือไฟฟ้า หรือการชาร์จไฟเครื่องมือไฟฟ้าในขณะที่เปิดสวิตช์อยู่อาจนำไปสู่การเกิดอุบัติเหตุ
- นำกุญแจปรับตั้งหรือประแจออกก่อนที่จะเปิดเครื่องมือไฟฟ้า ประแจหรือกุญแจที่เสียบค้างอยู่ในชิ้นส่วนที่หมุนได้ของเครื่องมือไฟฟ้าอาจทำให้ได้รับบาดเจ็บ
- อย่าทำงานในระยะที่สุดอ้อม จัดท่าการยืนและการทรงตัวให้เหมาะสมตลอดเวลา เพราะจะทำให้ควบคุมเครื่องมือไฟฟ้าได้ดีขึ้นในสถานการณ์ที่ไม่คาดคิด
- แต่งกายให้เหมาะสม อย่าสวมเครื่องแต่งกายที่หลวมเกินไป หรือสวมเครื่องประดับ ดูแลไม่ให้เส้นผมและเสื้อผ้าอยู่ใกล้ชิ้นส่วนที่เคลื่อนที่ เสื้อผ้ารุ่มร่าม เครื่องประดับ หรือผมที่มีความยาวอาจเข้าไปติดในชิ้นส่วนที่เคลื่อนที่
- หากมีการจัดอุปกรณ์สำหรับตัดและจัดเก็บฝุ่นไว้ในสถานที่ ให้ตรวจสอบว่าได้เชื่อมต่อและใช้งานอุปกรณ์นั้นอย่างเหมาะสม การใช้เครื่องดูดและจัดเก็บฝุ่นจะช่วยลดอันตรายที่เกิดจากฝุ่นผงได้



ผู้ว่าจ้างมีหน้าที่รับผิดชอบในการบังคับผู้ใช้งานเครื่องมือและบุคคลอื่นๆ ที่อยู่ในบริเวณที่ปฏิบัติงานให้ใช้อุปกรณ์ป้องกันที่เหมาะสม

#### การใช้และดูแลเครื่องมือไฟฟ้า

- อย่าฝืนใช้เครื่องมือไฟฟ้า ใช้เครื่องมือไฟฟ้าที่เหมาะสมกับการใช้งานของคุณ เครื่องมือไฟฟ้าที่เหมาะสมจะทำให้ได้งานที่มีประสิทธิภาพและปลอดภัยกว่าตามขีดความสามารถของเครื่องที่ได้รับการออกแบบมา
- อย่าใช้เครื่องมือไฟฟ้า หากสวิตช์ไม่สามารถเปิดปิดได้ เครื่องมือไฟฟ้าที่ควบคุมด้วยสวิตช์ไม่ได้เป็นสิ่งอันตรายและต้องได้รับการซ่อมแซม
- ถอดปลั๊กจากแหล่งจ่ายไฟ และ/หรือชุดแบตเตอรี่ ออกจากเครื่องมือไฟฟ้าก่อนทำการปรับตั้ง เปลี่ยนอุปกรณ์เสริม หรือจัดเก็บเครื่องมือไฟฟ้า วิธีการป้องกันด้านความปลอดภัยดังกล่าวจะช่วยลดความเสี่ยงในการเปิดใช้งานเครื่องมือไฟฟ้าโดยไม่ตั้งใจ
- จัดเก็บเครื่องมือไฟฟ้าที่ไม่ได้ใช้งานให้ห่างจากมือเด็ก และอย่าอนุญาตให้บุคคลที่ไม่คุ้นเคยกับเครื่องมือไฟฟ้าหรือคำแนะนำเหล่านี้ใช้งานเครื่องมือไฟฟ้า เครื่องมือไฟฟ้าจะเป็นอันตรายเมื่ออยู่ในมือของผู้ที่ไม่ได้รับการฝึกอบรม

- บำรุงรักษาเครื่องมือไฟฟ้าและอุปกรณ์เสริม ตรวจสอบการประกอบที่ไม่ถูกต้องหรือการเชื่อมต่อของชิ้นส่วนที่เคลื่อนที่ การแตกหักของชิ้นส่วน หรือสภาพอื่น ๆ ที่อาจส่งผลกระทบต่อการทำงานของเครื่องมือไฟฟ้า หากมีความเสียหาย ให้นำเครื่องมือไฟฟ้าไปซ่อมแซมก่อนการใช้งาน อุบัติเหตุจำนวนมากเกิดจากการดูแลรักษาเครื่องมือไฟฟ้าอย่างไม่ถูกต้อง
- ทำความสะอาดเครื่องมือตัดและลับให้คมอยู่เสมอ เครื่องมือการตัดที่มีการดูแลอย่างถูกต้องและมีขอบการตัดคมมักจะมีปัญหาติดขัดน้อยและควบคุมได้ง่ายกว่า
- ใช้เครื่องมือไฟฟ้า อุปกรณ์เสริม และวัสดุสิ้นเปลือง ฯลฯ ตามคำแนะนำดังกล่าว พิจารณาสภาพการทำงานและงานที่จะลงมือทำ การใช้เครื่องมือไฟฟ้าเพื่อทำงานอื่นนอกเหนือจากที่กำหนดไว้อาจทำให้เกิดอันตราย
- ดูแลมือจับและบริเวณมือจับให้แห้ง สะอาด และไม่มีน้ำมันและจาระบีเปื้อน มือจับและบริเวณมือจับที่ลื่นจะทำให้ไม่สามารถจับและควบคุมเครื่องมือได้อย่างปลอดภัยในสถานการณ์ที่ไม่คาดคิด
- ขณะใช้งานเครื่องมือ อย่าสวมใส่ถุงมือผ้าที่อาจเข้าไปติดในเครื่องมือได้ หากถุงมือผ้าเข้าไปติดในชิ้นส่วนที่กำลังเคลื่อนที่อยู่อาจทำให้ได้รับบาดเจ็บ

#### การใช้งานและดูแลเครื่องมือที่ใช้แบตเตอรี่

- ชาร์จไฟใหม่ด้วยเครื่องชาร์จที่ระบุโดยผู้ผลิตเท่านั้น เครื่องชาร์จที่เหมาะสมสำหรับชุดแบตเตอรี่ประเภทหนึ่ง อาจเสี่ยงที่จะเกิดไฟไหม้หากนำไปใช้กับชุดแบตเตอรี่อีกประเภทหนึ่ง
- ใช้เครื่องมือไฟฟ้ากับชุดแบตเตอรี่ที่กำหนดมาโดยเฉพาะเท่านั้น การใช้ชุดแบตเตอรี่ประเภทอื่นอาจทำให้เสี่ยงที่จะได้รับบาดเจ็บและเกิดไฟไหม้
- เมื่อไม่ใช้งานชุดแบตเตอรี่ ให้เก็บห่างจากวัตถุที่เป็นโลหะอื่น ๆ เช่น คลิปหนีบกระดาษ เหรียญ กุญแจ กรรไกรตัดเล็บ สกรู หรือวัตถุที่เป็นโลหะขนาดเล็กอื่น ๆ ที่สามารถเชื่อมต่อกับขั้วหนึ่งกับอีกขั้วหนึ่งได้ การลัดวงจรขั้วแบตเตอรี่อาจทำให้อ่อนจัดหรือเกิดไฟไหม้
- ในกรณีที่ใช้งานไม่ถูกต้อง อาจมีของเหลวไหลออกจากแบตเตอรี่ ให้หลีกเลี่ยงการสัมผัส หากสัมผัส โดนของเหลวโดยไม่ตั้งใจ ให้ล้างออกด้วยน้ำ หากของเหลวกระเด็นเข้าตา ให้รีบไปพบแพทย์ ของเหลวที่ไหลออกจากแบตเตอรี่อาจทำให้ผิวหนังระคายเคืองหรือไหม้

- ห้ามใช้ชุดแบตเตอรี่หรือเครื่องมือที่ชาร์จหรือมีการแก้ไข แบตเตอรี่ที่เสียหายหรือมีการแก้ไขอาจทำให้เกิดสิ่งที่ไม่ดีได้ เช่น ไฟไหม้ ระเบิด หรือเสี่ยงต่อการบาดเจ็บ
- ห้ามให้ชุดแบตเตอรี่อยู่ใกล้ไฟ หรือบริเวณที่มีอุณหภูมิสูงเกิน หากโดนไฟ หรืออุณหภูมิสูงเกิน 130 °C อาจก่อให้เกิดการระเบิดได้
- กรุณาปฏิบัติตามคำแนะนำสำหรับชาร์จไฟ และห้ามชาร์จแบตเตอรี่หรือเครื่องมือในบริเวณที่มีอุณหภูมินอกเหนือไปจากที่ระบุในคำแนะนำ การชาร์จไฟที่ไม่เหมาะสม หรืออุณหภูมินอกเหนือไปจากช่วงอุณหภูมิที่ระบุในคำแนะนำอาจทำให้แบตเตอรี่เสียหายและเป็นการเพิ่มความเสี่ยงในการเกิดไฟไหม้

#### การซ่อมบำรุง

- นำเครื่องมือไฟฟ้าเข้ารับบริการจากช่างซ่อมที่ผ่านการรับรองโดยช่างมืออาชีพเท่านั้น เพราะจะทำให้การใช้เครื่องมือไฟฟ้ามีความปลอดภัย
- ห้ามใช้ชุดแบตเตอรี่ที่เสียหาย ชุดแบตเตอรี่ที่ใช้ควรเป็นชุดที่มาจากผู้ผลิต หรือผู้ให้บริการที่ได้รับอนุญาตเท่านั้น
- ปฏิบัติตามคำแนะนำในการหล่อลื่นและการเปลี่ยนอุปกรณ์เสริม

#### คำเตือนด้านความปลอดภัยของเครื่องตัดแต่งพุ่มไม้ไร้สาย

- ดูแลให้ทุกส่วนของร่างกายอยู่ห่างจากใบเลื่อย อย่างน้อยที่สุดที่ตัดแล้วออกหรือขั้ววัสดุเพื่อการตัดในขณะที่ใบเลื่อยกำลังทำงานอยู่ ใบเลื่อยจะยังคงเคลื่อนไหวต่อไปแม้ว่าจะปิดสวิตช์แล้วก็ตาม ช่วงเวลาที่ขาดความระมัดระวังในขณะที่ใช้งานเครื่องตัดแต่งพุ่มไม้อาจส่งผลให้ได้รับบาดเจ็บสาหัสได้
- ถือเครื่องตัดแต่งพุ่มไม้โดยจับที่มีมือจับ ใบเลื่อยหยุดนิ่งแล้ว และระวังอย่าใช้งานสวิตช์ไฟใดๆ การถือเครื่องตัดแต่งพุ่มไม้ไม่เหมาะสมจะช่วยลดความเสี่ยงในการสตรัทหรือเครื่องโดยไม่ได้ตั้งใจและการบาดเจ็บจากใบเลื่อยที่เกิดขึ้นหลังจากนั้นได้
- ขณะขนย้ายหรือเก็บเครื่องตัดแต่งพุ่มไม้ ให้ใส่ฝาคครอบใบเลื่อยเสมอ การจัดการเครื่องตัดแต่งพุ่มไม้ที่เหมาะสมจะช่วยลดความเสี่ยงในการบาดเจ็บจากใบเลื่อยได้

- เมื่อต้องการกำจัดสิ่งกีดขวางหรือทำการบำรุงรักษา เครื่องมือ ให้ตรวจสอบว่าได้ปิดสวิตช์ไฟทุกอันและ ถอดหรือตัดการเชื่อมต่อชุดแบตเตอรี่ออกแล้ว การที่ เครื่องตัดแต่งพุ่มไม้ทำงานขึ้นมาโดยไม่คาดคิดขณะที่ กำลังกำจัดสิ่งกีดขวางหรือทำการบำรุงรักษาเครื่องมือ อาจทำให้เกิดการบาดเจ็บร้ายแรงได้
- ถือเครื่องตัดแต่งพุ่มไม้โดยจับพื้นผิวส่วนที่ห่อหุ้ม ด้วยฉนวนไฟฟ้าเท่านั้น เนื่องจากใบเลื่อยอาจสัมผัส กับสายไฟที่ซ่อนอยู่ ใบเลื่อยที่สัมผัสกับสายไฟที่ “มี กระแสไฟฟ้าไหลผ่าน” อาจทำให้ส่วนที่เป็นโลหะของ เครื่องตัดแต่งพุ่มไม้ที่ไม่มีฉนวนหุ้ม “มีกระแสไฟฟ้า ไหลผ่าน” และทำให้ผู้ปฏิบัติงานถูกไฟฟ้าช็อตได้
- ให้สายไฟและสายเคเบิลทุกเส้นอยู่ห่างจากพื้นที่ตัด สายไฟและสายเคเบิลอาจซ่อนอยู่ในแนวดิ่งไม้เตี้ย หรือพุ่มไม้และอาจถูกใบมีดตัดขาดโดยไม่ตั้งใจได้
- อย่าใช้เครื่องตัดแต่งพุ่มไม้ในสภาพอากาศที่ไม่ดี โดยเฉพาะเมื่อมีความเสี่ยงที่จะเกิดฟ้าผ่า ซึ่งจะเพิ่มความ เสี่ยงในการถูกฟ้าผ่า

## คำแนะนำด้านความปลอดภัยเพิ่มเติม

### การเตรียมความพร้อม

- ตรวจสอบว่าแนวพุ่มไม้และพุ่มไม้มีวัตถุแปลกปลอม หรือไม่ เช่น รั้วลวด หรือการเดินสายไฟที่ซ่อนอยู่ ก่อนใช้งานเครื่องมือ
- ห้ามให้เด็กหรือเยาวชนอายุต่ำกว่า 18 ปีใช้งานเครื่องมือ โดยอาจยกเว้นข้อจำกัดนี้ให้แก่เยาวชนที่มีอายุ เกิน 16 ปี หากเยาวชนดังกล่าวได้ผ่านการฝึกอบรม ภายใต้อาการควบคุมดูแลของผู้เชี่ยวชาญแล้ว
- ผู้ที่ใช้งานอุปกรณ์เป็นครั้งแรกควรให้ผู้ใช้งานที่มี ประสบการณ์แสดงวิธีใช้งานเครื่องมือให้ดู
- ใช้เครื่องมือเมื่อมีสภาพร่างกายสมบูรณ์เท่านั้น หาก รู้สึกเหนื่อย สวมริชจะลดลง โปรดใช้ความระมัดระวัง เป็นพิเศษในช่วงท้ายของวันทำงาน ทำงานอย่าง ใจเย็นและใช้ความระมัดระวังทุกครั้ง ผู้ใช้ต้องรับผิดชอบ ต่อความเสียหายทั้งหมดที่เกิดขึ้นต่อบุคคลที่สาม
- ห้ามใช้เครื่องมือขณะอยู่ในสภาพที่มึนเมาจากยาเสพติด เครื่องดื่มแอลกอฮอล์ หรือการใช้ยา
- ถุงมือหนังอย่างหนาเป็นหนึ่งในอุปกรณ์พื้นฐานของ เครื่องมือและจะต้องใส่ทุกครั้งที่ใช้งานเครื่องตัด และ สวมรองเท้าหนังที่พื้นกันลื่น
- ก่อนเริ่มทำงาน ให้ตรวจสอบเพื่อให้แน่ใจว่าเครื่องมือ สามารถทำงานได้อย่างดีและปลอดภัย ตรวจสอบให้ แน่ใจว่าได้ติดตั้งที่ป้องกันแล้วอย่างเหมาะสม ห้ามใช้ งานเครื่องมือที่ไม่ได้ประกอบอย่างสมบูรณ์

### การใช้งาน

- ถือเครื่องมือไว้ให้มั่นคงด้วยมือทั้งสองข้างขณะใช้งาน
- เครื่องมือนี้จะต้องถูกใช้โดยผู้ใช้งานในระดับพื้นดิน อย่าใช้เครื่องมือนี้บนบันไดหรือบนฐานที่ไม่มั่นคงอื่นๆ
- อันตราย - ยอานำมือเข้าไปใกล้ใบเลื่อย การสัมผัสกับใบ เลื่อยอาจทำให้ได้รับบาดเจ็บสาหัสได้
- อย่าใช้เครื่องมือขณะฝนตกหรือในสภาพเปียกหรือมี ความชื้นมาก มอเตอร์ไฟฟ้าไม่สามารถกันน้ำได้
- ตรวจสอบให้แน่ใจว่ามีท่าการยืนที่มั่นคงก่อนเริ่ม ทำงาน
- อย่าใช้เครื่องมือโดยปิดเครื่องทิ้งไว้เฉยๆ โดยไม่ จำเป็น
- ปิดสวิตช์เครื่องมือและถอดสลับแบตเตอรี่ออกทันที หากใบเลื่อยตัดสัมผัสกับรั้วหรือของแข็งอื่นๆ ตรวจสอบ ความเสียหายของใบเลื่อย และหากเสียหาย ให้ เปลี่ยนใบเลื่อยทันที
- ก่อนตรวจสอบใบมีดตัด แก๊วไขความพร่อง หรือ นำวัสดุที่ติดอยู่ในใบมีดตัดออก ให้ปิดสวิตช์เครื่องมือ และถอดสลับแบตเตอรี่ออก
- ห้ามหันใบเลื่อยตัดเข้าหาตัวเองหรือผู้อื่น
- หากใบเลื่อยหยุดหมุนเนื่องจากมีวัตถุแปลกปลอมเข้า มาติดระหว่างการทำงาน ให้ปิดสวิตช์เครื่องมือและ ถอดสลับแบตเตอรี่ จากนั้นนำวัตถุแปลกปลอมออก โดยใช้เครื่องมือ เช่น คีม การนำวัตถุแปลกปลอม ออกด้วยมือเปล่าอาจทำให้ได้รับบาดเจ็บ เนื่องจากใบ เลื่อยอาจเคลื่อนที่ซึ่งเป็นปฏิกิริยาตอบกลับเพื่อนำวัตถุ แปลกปลอมออก
- หลีกเลี่ยงสภาพแวดล้อมที่อันตราย อย่าใช้เครื่องมือ ในสถานที่ที่เปียกหรือชื้น หรือให้เครื่องมือโดนน้ำฝน น้ำที่ไหลเข้าไปในเครื่องมือจะเพิ่มความเสี่ยงของการ เกิดไฟฟ้าช็อต

### การบำรุงรักษาและการเก็บรักษา

- ปิดสวิตช์เครื่องมือและถอดสลับแบตเตอรี่ออกก่อน ทำการบำรุงรักษาใดๆ
- ขณะย้ายเครื่องมือไปที่อื่น รวมถึงในระหว่างทำงาน ให้ถอดสลับแบตเตอรี่ออกและใส่ฝาครอบใบเลื่อยบน ใบมีดตัดเสมอ ห้ามถือหรือขนย้ายเครื่องมือโดยที่ใบ มีดกำลังทำงานอยู่ ห้ามจับใบมีดด้วยมือเด็ดขาด
- ทำความสะอาดเครื่องมือและโดยเฉพาะใบมีดหลังใช้ งาน และก่อนเก็บเครื่องมือเป็นระยะเวลานาน ทาน้ำมันบางๆ บนใบเลื่อยและใส่ฝาครอบใบเลื่อย
- เก็บเครื่องมือพร้อมใส่ฝาครอบใบเลื่อยในท้องที่แห้ง เก็บให้ห่างจากมือเด็ก ห้ามเก็บเครื่องมือไว้กลางแจ้ง

5. อย่าทิ้งแบตเตอรี่ในกองไฟ เซลล์แบตเตอรี่อาจจะระเบิดได้ ตรวจสอบหลักเกณฑ์ในห้องถิ่นเพื่อค้นหาคำแนะนำในการกำจัดที่อาจต้องทำเป็นพิเศษ
6. อย่าแกะหรือทำลายแบตเตอรี่ สารละลายอิเล็กโทรไลต์ที่รั่วออกมามีฤทธิ์กัดกร่อนและสามารถทำให้เกิดอันตรายต่อดวงตาหรือผิวหนัง อาจเป็นพิษได้หากกลืนลงไป
7. อย่าชาร์จแบตเตอรี่กลางฝนหรือในสถานที่ที่เปียก
8. ห้ามเผาตลับแบตเตอรี่ทิ้ง แม้ว่าแบตเตอรี่จะเสียหายจนใช้การไม่ได้หรือเสื่อมสภาพแล้ว ตลับแบตเตอรี่อาจจะระเบิดในกองไฟ
9. อย่าตอตะปู ตัด บด ข้าง หรือทำตลับแบตเตอรี่หล่นพื้น หรือกระแทกตลับแบตเตอรี่กับวัตถุของแข็ง การกระทำดังกล่าวอาจส่งผลให้เกิดไฟไหม้ ความร้อนที่สูงเกินไป หรือระเบิดได้
10. ห้ามใช้แบตเตอรี่ที่เสียหาย

## ปฏิบัติตามคำแนะนำเหล่านี้

**คำเตือน:** อย่าให้ความไม่ระมัดระวังหรือความคุ้นเคยกับผลิตภัณฑ์ (จากการใช้งานซ้ำหลายครั้ง) อยู่เหนือการปฏิบัติตามกฎเกณฑ์ด้านความปลอดภัยในการใช้งานผลิตภัณฑ์อย่างเคร่งครัด การใช้งานอย่างไม่เหมาะสมหรือการไม่ปฏิบัติตามกฎเกณฑ์ด้านความปลอดภัยในคู่มือการใช้งานนี้อาจทำให้ได้รับบาดเจ็บร้ายแรง

## คำแนะนำเพื่อความปลอดภัยที่สำคัญสำหรับตลับแบตเตอรี่

1. ก่อนใช้งานตลับแบตเตอรี่ให้อ่านคำแนะนำและเครื่องหมายเตือนทั้งหมดบน (1) เครื่องชาร์จแบตเตอรี่ (2) แบตเตอรี่ และ (3) ตัวผลิตภัณฑ์ที่ใช้แบตเตอรี่
2. อย่าถอดแยกชิ้นส่วนหรือทำการดัดแปลงตลับแบตเตอรี่ เนื่องจากอาจทำให้เกิดไฟไหม้ ความร้อนที่สูงเกินไป หรือระเบิดได้
3. หากระยะเวลาที่เครื่องทำงานสั้นเกินไป ให้หยุดใช้งานทันที เนื่องจากอาจมีความเสี่ยงที่จะร้อนจัดไหม้หรือระเบิดได้
4. หากสารละลายอิเล็กโทรไลต์กระเด็นเข้าตา ให้ล้างออกด้วยน้ำเปล่าและรีบไปพบแพทย์ทันที เนื่องจากอาจทำให้ตาบอด
5. ห้ามลัดวงจรตลับแบตเตอรี่:
  - (1) ห้ามแตะขั้วกับวัตถุที่เป็นสื่อนำไฟฟ้าใดๆ
  - (2) หลีกเลี่ยงการเก็บตลับแบตเตอรี่ไว้ในภาชนะร่วมกับวัตถุที่เป็นโลหะ เช่น กรรไกรตัดเล็บ เหรียญ ฯลฯ
  - (3) อย่าให้ตลับแบตเตอรี่ถูกน้ำหรือฝน แบตเตอรี่ลัดวงจรอาจทำให้เกิดการไหลของกระแสไฟฟ้า ร้อนจัดไหม้หรือเสียหายได้
6. ห้ามเก็บและใช้เครื่องมือและตลับแบตเตอรี่ไว้ในสถานที่ที่มีอุณหภูมิสูงถึงหรือเกิน 50 °C (122 °F)
7. ห้ามเผาตลับแบตเตอรี่ทิ้ง แม้ว่าแบตเตอรี่จะเสียหายจนใช้การไม่ได้หรือเสื่อมสภาพแล้ว ตลับแบตเตอรี่อาจจะระเบิดในกองไฟ
8. อย่าตอตะปู ตัด บด ข้าง หรือทำตลับแบตเตอรี่หล่นพื้น หรือกระแทกตลับแบตเตอรี่กับวัตถุของแข็ง การกระทำดังกล่าวอาจส่งผลให้เกิดไฟไหม้ ความร้อนที่สูงเกินไป หรือระเบิดได้
9. ห้ามใช้แบตเตอรี่ที่เสียหาย
10. แบตเตอรี่ลิเทียมไอออนที่มีมาให้ห็นเป็นไปตามข้อกำหนดของ Dangerous Goods Legislation สำหรับการขนส่งเพื่อการพาณิชย์ เช่น โดยบุคคลที่สาม ตัวแทนขนส่งสินค้า จะต้องตรวจสอบข้อกำหนดพิเศษในด้านการบรรจุหีบห่อหรือการติดป้ายสินค้าในการเตรียมสินค้าที่จะขนส่ง ให้ปรึกษาผู้เชี่ยวชาญด้านวัตถุอันตราย โปรดตรวจสอบข้อกำหนดในประเทศที่อาจมีรายละเอียดอื่น ๆ เพิ่มเติม ให้ติดเทปหรือปิดหน้าสัมผัสและห่อแบตเตอรี่ในลักษณะที่แบตเตอรี่จะไม่เคลื่อนที่ไปมาในหีบห่อ
11. เมื่อกำจัดตลับแบตเตอรี่ ให้ถอดตลับแบตเตอรี่ออกจากเครื่องมือและกำจัดในสถานที่ที่ปลอดภัย ปฏิบัติตามข้อบังคับในห้องถิ่นที่เกี่ยวกับกำจัดแบตเตอรี่
12. ใช้แบตเตอรี่กับผลิตภัณฑ์ที่ระบุโดย Makita เท่านั้น การติดตั้งแบตเตอรี่ในผลิตภัณฑ์ที่ไม่ใช่ตามที่ระบุอาจทำให้เกิดไฟไหม้ ความร้อนสูง ระเบิด หรืออิเล็กโทรไลต์รั่วไหลได้
13. หากไม่ใช่เครื่องมือเป็นระยะเวลานาน จะต้องถอดแบตเตอรี่ออกจากเครื่องมือ
14. ในระหว่างและหลังการใช้งาน ตลับแบตเตอรี่อาจร้อนซึ่งอาจลวกผิวหรือทำให้ผิวไหม้ที่อุณหภูมิต่ำได้ โปรดระมัดระวังในการจัดการกับแบตเตอรี่ที่ร้อน
15. อย่าสัมผัสขั้วของเครื่องมือทันทีหลังจากการใช้งาน เนื่องจากอาจมีความร้อนพอที่จะทำให้ผิวไหม้ได้
16. อย่าปล่อยให้เศษวัสดุ ฝุ่นผง หรือดินเข้าไปติดอยู่ในขั้ว รู และร่องของตลับแบตเตอรี่ เนื่องจากอาจทำให้เครื่องมือหรือตลับแบตเตอรี่มีประสิทธิภาพลดลงหรือเสียหายได้
17. หากเครื่องมือไม่รองรับสายไฟแรงดันสูง อย่าใช้ตลับแบตเตอรี่ใกล้กับสายไฟแรงดันสูง เนื่องจากเครื่องมือหรือตลับแบตเตอรี่อาจทำงานผิดปกติหรือเสียหายได้
18. เก็บแบตเตอรี่ให้ห่างจากเด็ก

## ปฏิบัติตามคำแนะนำเหล่านี้

**⚠ ข้อควรระวัง:** ใช้แบตเตอรี่ของแท้จาก Makita เท่านั้น การใช้แบตเตอรี่ Makita ที่ไม่แท้ หรือแบตเตอรี่ที่ถูกเปลี่ยน อาจทำให้แบตเตอรี่ระเบิด ก่อให้เกิดเพลิงลุกไหม้ การบาดเจ็บ และความเสียหายได้ และจะทำให้การรับประกันของ Makita สำหรับเครื่องมือและแท่นชาร์จของ Makita เป็นโมฆะด้วย

## เคล็ดลับในการรักษาอายุการใช้งานของแบตเตอรี่ให้ยาวนานที่สุด

1. ชาร์จตัวแบตเตอรี่ก่อนที่ไฟจะหมด หยุดการใช้งานแล้วชาร์จประจุไฟฟ้าใหม่ทุกครั้งเมื่อคุณรู้สึกว่าการปฏิบัติงานมีกำลังลดลง
2. อย่าชาร์จตัวแบตเตอรี่ที่มีไฟเต็มแล้ว การชาร์จประจุไฟฟ้ามากเกินไปอาจจะทำให้อายุการใช้งานของตัวแบตเตอรี่สั้นลง
3. ชาร์จประจุไฟฟ้าตัวแบตเตอรี่ในห้องที่มีอุณหภูมิระหว่าง 10 °C - 40 °C ปล่อยให้ตัวแบตเตอรี่เย็นลงก่อนที่จะชาร์จไฟ
4. เมื่อไม่ใช้ตัวแบตเตอรี่ ให้ถอดออกจากเครื่องมือหรือเครื่องชาร์จ
5. ชาร์จไฟตัวแบตเตอรี่หากคุณไม่ต้องการใช้เป็นเวลานาน (เกินกว่าหกเดือน)

## คำอธิบายการทำงาน

### ⚠ ข้อควรระวัง:

- ตรวจสอบให้แน่ใจว่าได้ปิดสวิตช์เครื่องมือและถอดตัวแบตเตอรี่ออกก่อนปรับตั้งหรือตรวจสอบการทำงานของเครื่องมือ

## การใส่หรือการถอดตัวแบตเตอรี่

- ▶ หมายเลข 1: 1. ชีลส์แดง 2. ปุ่ม 3. ตัวแบตเตอรี่

### ⚠ ข้อควรระวัง:

- ปิดสวิตช์เครื่องมือก่อนทำการติดตั้งหรือการถอดตัวแบตเตอรี่ทุกครั้ง
- จับเครื่องมือและตัวแบตเตอรี่ให้แน่นขณะติดตั้งหรือถอดตัวแบตเตอรี่ หากไม่ถือเครื่องมือและตัวแบตเตอรี่ให้แน่น อาจทำให้ตัวแบตเตอรี่และเครื่องมือลื่นหลุดมือ และทำให้เครื่องมือและตัวแบตเตอรี่เสียหายหรือได้รับบาดเจ็บได้

เมื่อต้องการถอดตัวแบตเตอรี่ให้เลื่อนปุ่มที่ด้านหน้าของตัวแบตเตอรี่ออกจากเครื่องมือ การติดตั้งตัวแบตเตอรี่ ให้จัดตำแหน่งลิ้นของตัวแบตเตอรี่ให้ตรงกับร่องของเครื่อง แล้วเลื่อนเข้าที่ ใส่ตัวแบตเตอรี่เข้าจนสุดจนกระทั่งได้ยินเสียงคลิกล็อคเข้าที่ หากยังเห็นชีลส์แดงที่ด้านบนของปุ่ม แสดงว่าตัวแบตเตอรี่ยังไม่ล็อคเข้าที่

### ⚠ ข้อควรระวัง:

- ติดตั้งตัวแบตเตอรี่เข้าไปจนสุดจนกระทั่งไม่เห็นชีลส์แดง ไม่เช่นนั้น ตัวแบตเตอรี่อาจหลุดออกจากเครื่องมือทำให้คุณหรือคนรอบข้างได้รับบาดเจ็บ
- อย่าฝืนติดตั้งตัวแบตเตอรี่โดยใช้แรงมากเกินไป หากตัวแบตเตอรี่ไม่เลื่อนเข้าไปโดยง่าย แสดงว่าใส่ไม่ถูกต้อง

## ระบบป้องกันแบตเตอรี่ (แบตเตอรี่ลิเทียม-ไอออนที่มีเครื่องหมายดาว)

- ▶ หมายเลข 2: 1. เครื่องหมายดาว

แบตเตอรี่ลิเทียม-ไอออนที่มีเครื่องหมายดาวจะมีระบบป้องกัน ระบบนี้จะตัดไฟที่ส่งไปยังเครื่องมือโดยอัตโนมัติเพื่อยืดอายุการใช้งานแบตเตอรี่ เครื่องมือจะหยุดทำงานโดยอัตโนมัติระหว่างการใช้งาน เมื่อเครื่องมือและ/หรือแบตเตอรี่อยู่ภายใต้สถานการณ์ต่อไปนี้:

- ทำงานหนักเกินไป:  
ใช้งานเครื่องมือในลักษณะที่อาจใช้กระแสไฟฟ้าสูงผิดปกติ  
ในสถานการณ์นี้ ให้ปล่อยสวิตช์สั่งงานของเครื่องมือและหยุดการใช้งานในรูปแบบที่อาจจะทำให้เครื่องมือทำงานหนักเกินไปได้ จากนั้นให้ดึงสวิตช์สั่งงานอีกครั้งเพื่อรีเซ็ต  
หากเครื่องมือไม่เริ่มทำงาน แสดงว่าแบตเตอรี่ร้อนเกินไป ในกรณีนี้ ให้ปล่อยแบตเตอรี่ให้เย็นลงก่อนแล้วดึงสวิตช์สั่งงานอีกครั้ง
- แรงดันไฟฟ้าแบตเตอรี่ต่ำ:  
ความจุแบตเตอรี่ที่เหลืออยู่น้อยเกินไปและเครื่องมือจะไม่ทำงาน ในกรณีนี้ ให้ถอดแบตเตอรี่ออกและชาร์จไฟใหม่

## การแสดงความจุแบตเตอรี่ที่เหลืออยู่

(เฉพาะดัลล์แบตเตอรี่ที่มีตัวอักษร "B" อยู่ท้ายหมายเลขรุ่น)

► **หมายเลข 3:** 1. ไฟแสดงสถานะ 2. ปุ่มตรวจสอบ

กดปุ่มตรวจสอบบนดัลล์แบตเตอรี่เพื่อดูความจุแบตเตอรี่ที่เหลือ ไฟแสดงสถานะจะสว่างขึ้นเป็นเวลาสองสามวินาที

ไฟแสดงสถานะ			ความจุแบตเตอรี่ที่เหลือ
ไฟสว่าง	ดับ	กะพริบ	
■	■ ■ ■ ■	■	75% ถึง 100%
■	■ ■ ■ □	■	50% ถึง 75%
■	■ ■ □ □	■	25% ถึง 50%
■	□ □ □ □	■	0% ถึง 25%
▣	□ □ □ □	■	ชาร์จแบตเตอรี่
■	□ □ □ □	■	แบตเตอรี่อาจทำงานผิดพลาด

หมายเหตุ:

- ขึ้นอยู่กับสภาพการใช้งานและอุณหภูมิโดยรอบ การแสดงสถานะอาจจะแตกต่างจากปริมาณแบตเตอรี่จริงเล็กน้อย

## การทำงานของสวิทช์

**⚠ ข้อควรระวัง:**

- ก่อนใส่ดัลล์แบตเตอรี่ลงในเครื่องมือ ให้ตรวจสอบว่าสวิทช์สั่งงานสามารถทำงานได้อย่างถูกต้อง และกลับไปยังตำแหน่ง "ปิด" เมื่อปล่อย

► **หมายเลข 4:** 1. สวิทช์สั่งงาน A 2. สวิทช์สั่งงาน B 3. ปุ่มปลดล็อก

เพื่อความปลอดภัยของคุณ อุปกรณ์นี้ไม่มีระบบสวิทช์คู่ติดตั้งมาด้วย สำหรับการเปิดเครื่อง ให้กดปุ่มปลดล็อกและกดสวิทช์สั่งงาน A และ B ปล่อยนิ้วออกจากสวิทช์ใดสวิทช์หนึ่งเพื่อปิดเครื่อง โดยจะกดสวิทช์ตามลำดับใดก็ได้เนื่องจากเครื่องมือนี้จะเริ่มทำงานเมื่อใช้งานสวิทช์สองอัน

## ไฟแสดงสถานะ

► **หมายเลข 5:** 1. ไฟแสดงสถานะ

การเปิดใช้งานเครื่องมือจะทำให้ไฟแสดงสถานะแสดงสถานะประจุไฟฟ้าในดัลล์แบตเตอรี่ เมื่อเครื่องมือทำงานหนักเกินไปและหยุดระหว่างการใช้งาน ไฟจะสว่างเป็นสีแดง โปรดอ้างอิงตารางไฟแสดงสถานะเกี่ยวกับสถานะและสิ่งที่ต้องดำเนินการดังต่อไปนี้

ไฟแสดงสถานะ	สถานะ	สิ่งที่ต้องดำเนินการ
ไฟกะพริบเป็นสีแดง	เป็นการเตือนให้เปลี่ยนดัลล์แบตเตอรี่ใหม่เมื่อพลังงานแบตเตอรี่เหลือน้อย	นำดัลล์แบตเตอรี่ไปชาร์จอีกครั้งทันทีที่ทำได้
ไฟสว่างเป็นสีแดง (หมายเหตุ 1)	ฟังก์ชันนี้จะทำงานเมื่อแบตเตอรี่ใช้ประจุจนเกือบหมด ในเวลาสั้น เครื่องมือจะหยุดทำงาน โดยทันที	นำดัลล์แบตเตอรี่ไปชาร์จอีกครั้ง
ไฟสว่างเป็นสีแดง (หมายเหตุ 1)	หยุดอัตโนมัติเมื่อทำงานหนักเกินไป	ปิดเครื่องมือ

หมายเหตุ 1: เวลาที่ไฟแสดงสถานะสว่างขึ้นจะขึ้นอยู่กับอุณหภูมิรอบๆ พื้นที่ทำงานและสถานะดัลล์แบตเตอรี่

## การใช้งาน

### ⚠️ ข้อควรระวัง:

- ระวังอย่าสัมผัสกับรื้อเหล็กหรือของแข็งอื่นๆ โดยบังเอิญขณะทำการตัดแต่ง ใบเลื่อยจะหักและอาจทำให้เกิดการบาดเจ็บร้ายแรงได้
- การเอื้อมตัดด้วยเครื่องตัดแต่งฟุ่มไม้ โดยเฉพาะการเอื้อมจากบันไดถือเป็นการกระทำที่อันตรายมาก อย่าทำงานโดยยืนอยู่บนสิ่งที่โยกเยกไปมาได้หรือไม่มั่นคง

**ข้อสังเกต:** อย่าพยายามตัดกิ่งไม้ที่มีความหนาของเส้นผ่านศูนย์กลางมากกว่า 10 mm โดยใช้เครื่องมือนี้ ตัดกิ่งไม้ให้มีความสูงในการตัดต่ำกว่า 10 cm โดยใช้เครื่องตัดกิ่งไม้ก่อนใช้เครื่องมือนี้

▶ **หมายเลข 6:** (1) ความสูงในการตัด (2) 10 cm

### ⚠️ ข้อควรระวัง:

- อย่าตัดต้นไม้ที่ตายแล้วหรือของแข็งอื่นๆ ที่คล้ายกัน มิฉะนั้น อาจทำให้เครื่องมือเสียหายได้

▶ **หมายเลข 7**

ใช้สองมือจับเครื่องตัดแต่งฟุ่มไม้และดึงสวิตช์สั่งงาน A หรือ B จากนั้นจึงขยับเครื่องไว้ด้านหน้าลำตัวของคุณ

▶ **หมายเลข 8:** 1. ทิศทางการตัดแต่ง 2. พื้นผิวฟุ่มไม้ที่ต้องการตัดแต่ง 3. เอียงใบเลื่อย

สำหรับการทำงานขั้นพื้นฐาน ให้เอียงใบเลื่อยไปในทิศทาง การตัดแต่งและค่อยๆ ขยับอย่างช้าๆ ด้วยอัตราความเร็วที่ 3-4 วินาทีต่อเมตร

▶ **หมายเลข 9:** 1. เชือก

หากต้องการตัดส่วนบนของฟุ่มไม้ให้เสมอกัน สามารถผูก เชือกไว้ในระดับความสูงของฟุ่มไม้ที่ต้องการแล้วตัดแต่ง ตามแนวเชือกโดยใช้เชือกเป็นแนวอ้างอิงได้

▶ **หมายเลข 10**

การติดตั้งที่รับเศษใบไม้ (อุปกรณ์เสริม) กับเครื่องมือเมื่อ ตัดแต่งฟุ่มไม้เป็นเส้นตรงจะช่วยป้องกันไม่ให้ใบไม้ที่ถูกตัด กระเด็นออก

▶ **หมายเลข 11**

หากต้องการตัดด้านข้างของฟุ่มไม้ให้เสมอกัน ควรวัดจาก ส่วนล่างขึ้นบน

▶ **หมายเลข 12**

ตัดแต่งต้นบ็อกซ์วูดหรือกุหลาบพันปีจากฐานขึ้นไปถึงยอด จะทำให้ต้นไม้ดูสวยงามและเรียบร้อย

## การติดตั้งหรือถอดที่รับเศษใบไม้ (อุปกรณ์เสริม)

### ⚠️ ข้อควรระวัง:

- ตรวจสอบให้แน่ใจว่าได้ปิดสวิตช์เครื่องมือและถอด ปลั๊กออก ก่อนทำการติดตั้งหรือถอดที่รับเศษใบไม้

### หมายเหตุ:

- เมื่อเปลี่ยนที่รับเศษใบไม้ ให้สวมถุงมือเสมอเพื่อไม่ให้มือและใบหน้าสัมผัสกับใบเลื่อยโดยตรง ไม่เช่นนั้นอาจทำให้ได้รับบาดเจ็บได้
- ตรวจสอบให้แน่ใจเสมอว่าได้ถอดฝาครอบใบเลื่อย ออกก่อนติดตั้งที่รับเศษใบไม้
- ที่รับเศษใบไม้จะเป็นตัวรับใบไม้ที่ถูกตัดออกมา และช่วยลดภาระในการตามเก็บใบไม้ที่กระเด็น ซึ่ง สามารถติดตั้งไว้ที่ด้านใดด้านหนึ่งของเครื่องมือ

▶ **หมายเลข 13:** 1. กด 2. ที่รับเศษใบไม้ 3. น็อต 4. ใบ มีดตัด

กดที่รับเศษใบไม้ลงใบมีดตัดเพื่อให้อียงซ้อนทับกับน็อตบน ใบมีดตัด

▶ **หมายเลข 14:** 1. ตะขอ 2. ยึดตะขอเข้าไปในร่อง 3. ร่อง

ในตอนนี้ ต้องติดตั้งที่รับเศษใบไม้โดยให้ตะขอลงล็อกในร่อง ของชุดใบมีดตัด

▶ **หมายเลข 15:** 1. กัดก้านทั้งสองด้าน 2. ปลดล็อก ตะขอ

หากต้องการถอดที่รับเศษใบไม้ ออก ให้กัดก้านทั้งสองด้าน เพื่อปลดล็อกตะขอ

### ⚠️ ข้อควรระวัง:

- ฝาครอบใบเลื่อย (อุปกรณ์มาตรฐาน) ไม่สามารถติดตั้งลงบนเครื่องมือที่ติดตั้งที่รับเศษใบไม้ได้ ก่อนถือหรือเก็บรักษาเครื่องมือ ให้ถอดที่รับเศษใบไม้แล้ว ใส่ฝาครอบใบเลื่อยเพื่อให้ใบเลื่อยมีสิ่งห่อหุ้ม

### หมายเหตุ:

- ตรวจสอบที่รับเศษใบไม้ว่าติดตั้งมั่นคงแล้วก่อนใช้งาน
- อย่าพยายามถอดที่รับเศษใบไม้ด้วยการฝืนใช้แรง โดยที่ตะขอยังล็อกอยู่กับร่องของชุดใบมีด การฝืนใช้แรงเกินควรอาจทำให้อุปกรณ์เสียหาย



## การบำรุงรักษา

### ⚠️ ข้อควรระวัง:

- ตรวจสอบให้แน่ใจอยู่เสมอว่าปิดสวิตช์เครื่องมือและถอดด้ามแบตเตอรี่ก่อนการตรวจสอบหรือบำรุงรักษา

## การทำความสะอาดเครื่องมือ

ทำความสะอาดเครื่องมือโดยเช็ดฝุ่นออกด้วยผ้าแห้งหรือผ้าชุบน้ำสบู่

### ⚠️ ข้อควรระวัง:

- อย่าใช้น้ำมันเชื้อเพลิง เบนซิน ทินเนอร์ แอลกอฮอล์ หรือวัสดุประเภทเดียวกัน เนื่องจากอาจทำให้สีซีดจาง เสียรูป หรือแตกร้าวได้

## การบำรุงรักษาใบเลื่อย

ทาน้ำมันเครื่องหรือน้ำมันที่คล้ายกันที่ใบเลื่อยก่อนใช้งานและทุกๆ ชั่วโมงระหว่างใช้งาน

### หมายเหตุ:

- ก่อนทาใบเลื่อย ให้ถอดที่รับเศษใบไม้ออก

หลังการใช้งาน ให้กำจัดฝุ่นที่ติดอยู่ทั้งสองด้านของใบเลื่อยด้วยแปรงลวด เช็ดด้วยผ้า จากนั้นจึงทาน้ำมันความหนืดต่ำ เช่น น้ำมันเครื่อง ยลช ให้ทั่ว แล้วจึงพ่นสเปรย์น้ำมันหล่อลื่น

### ⚠️ ข้อควรระวัง:

- อย่าล้างใบเลื่อยด้วยน้ำ มิฉะนั้น อาจทำให้เครื่องมือเกิดสนิมหรือเสียหายได้

## การถอดหรือติดตั้งใบมีดตัด

### ⚠️ ข้อควรระวัง:

- ก่อนถอดหรือติดตั้งใบมีดตัด ตรวจสอบให้แน่ใจว่าปิดเครื่องมือและถอดด้ามแบตเตอรี่แล้วอยู่เสมอ
- เมื่อเปลี่ยนใบมีดตัด ให้สวมถุงมือและอย่าถอดฝาครอบใบเลื่อย เพื่อไม่ให้มือและหน้าสัมผัสกับใบมีดโดยตรง ไม่เช่นนั้นอาจทำให้ได้รับบาดเจ็บได้

### หมายเหตุ:

- อย่าขีดจาระบืออกจากเฟืองและข้อเหวี่ยง มิฉะนั้น อาจทำให้เครื่องมือเกิดความเสียหายได้

## การถอดใบมีดตัด

- หมายเลข 16: 1. สกรู 2. ฝาปิด

กลับด้านเครื่องมือและคลายสกรูสี่ตัวแล้วจึงถอดฝาปิด

### หมายเหตุ:

- ระวังอย่าให้มือเปราะเปื้อนเนื่องจากมีการทาทาจาระบีในบริเวณที่ใบมีดตัดเคลื่อนที่

- หมายเลข 17: 1. สกรู 2. ฟองน้ำ 3. แหวนรอง

คลายสกรูสี่ตัวและถอดใบมีดตัด ถอดแหวนรองและฟองน้ำออกจากใบมีดตัดและวางไว้ข้างๆ เพราะจำเป็นต้องติดตั้งในภายหลัง

- หมายเลข 18: 1. เฟือง 2. ปลอก 3. แหวนรอง  
4. ร่อง

หากปลอกยังอยู่ในรูของเฟือง ให้ถอดเฟืองและดันปลอกออกด้วยไขควงหรืออุปกรณ์ที่ใกล้เคียง

หมายเหตุ: แหวนรองได้เฟืองอาจหลุดออกมาโดยไม่ตั้งใจขณะถอดเฟือง ในกรณีดังกล่าว ให้ติดตั้งเข้าตำแหน่งเดิม

## การติดตั้งใบมีดตัด

- หมายเลข 19: 1. ฝาครอบใบเลื่อย

ถอดฝาครอบใบเลื่อยจากใบมีดตัดตัวเก่าและใส่เข้ากับใบมีดตัดตัวใหม่เพื่อไม่ให้สัมผัสกับใบมีด

- หมายเลข 20

ปรับตำแหน่งโดยการหมุนเฟืองตามที่แสดงในรูปภาพ

- หมายเลข 21: 1. จาระบี

- หมายเลข 22: 1. จาระบี

ทาทาจาระบีที่หมักกับใบมีดตัดตัวใหม่ตามที่แสดงในรูปภาพ

- หมายเลข 23: 1. ใบมีด 2. ฟองน้ำ 3. ปลอก

ติดตั้งฟองน้ำที่ถอดออกมาเข้าในตำแหน่งเดิม ตรวจสอบให้แน่ใจว่าติดตั้งปลอกที่หมักกับใบมีดตัดตัวใหม่บนสลักของใบมีด ติดตั้งใบมีดตัดตัวใหม่กับเครื่องมือจนกระทั่งสลักใส่ลงในรูของเฟือง หากปลอกที่สลักหลุดออกมาโดยไม่ตั้งใจ ให้ใส่กลับเข้ารูของเฟืองไว้ก่อนติดตั้ง

- หมายเลข 24: 1. สกรู 2. แหวนรอง

ติดตั้งใบมีดและขันสกรูสี่ตัวแล้วจึงติดตั้งแหวนรองที่ถอดออกมาเข้าในตำแหน่งเดิม

- หมายเลข 25: 1. สกรู

ติดตั้งฝาปิดบนเครื่องมือและขันสกรูสี่ตัวให้แน่น

## การเก็บรักษา

รูขอยกี่ยวตรงส่วนล่างของเครื่องมือใช้สำหรับแขวนเครื่องมือกับตะปูหรือสกรูบนกำแพง

### ► หมายเลข 26

ถอดด้ามแบตเตอรี่และใส่ฝาครอบใบเลื่อยบนใบมีดตัดเพื่อไม่ให้ใบมีดโผล่ออกมา เก็บเครื่องมืออย่างระมัดระวังโดยให้ห่างจากมือเด็ก

เก็บเครื่องมือในที่ที่ไม่วงน้ำหรือฝน

เพื่อความปลอดภัยและนำเชื้อถือของผลิตภัณฑ์ ควรให้ศูนย์บริการที่ได้รับการรับรองจาก Makita เป็นผู้ดำเนินการซ่อมแซม บำรุงรักษาและทำการปรับตั้งอื่นๆ นอกจากนี้ให้ใช้อะไหล่ของแท้จาก Makita เสมอ

## อุปกรณ์เสริม

### ⚠ ข้อควรระวัง:

- ขอแนะนำให้ใช้เฉพาะอุปกรณ์เสริมหรืออุปกรณ์ต่อพ่วงเหล่านี้กับเครื่องมือ Makita ที่ระบุในคู่มือ การใช้อุปกรณ์เสริมหรืออุปกรณ์ต่อพ่วงอื่นๆ อาจมีความเสี่ยงที่จะได้รับบาดเจ็บ ใช้อุปกรณ์เสริมหรืออุปกรณ์ต่อพ่วงตามวัตถุประสงค์ที่ระบุไว้เท่านั้น

หากต้องการทราบรายละเอียดเพิ่มเติมเกี่ยวกับอุปกรณ์เสริมเหล่านี้ โปรดสอบถามศูนย์บริการ Makita ใกล้บ้านคุณ

- ฝาครอบใบเลื่อย
- ชุดใบเลื่อย
- แบตเตอรี่และเครื่องชาร์จ Makita ของแท้
- ที่รับเศษใบไม้

### หมายเหตุ:

- อุปกรณ์บางรายการอาจจะรวมอยู่ในชุดเครื่องมือเป็นอุปกรณ์มาตรฐาน ซึ่งอาจแตกต่างกันไปในแต่ละประเทศ

**Makita Corporation**  
3-11-8, Sumiyoshi-cho,  
Anjo, Aichi 446-8502 Japan  
[www.makita.com](http://www.makita.com)

8853121377  
EN, ZHCN, ID, MS,  
VI, TH  
20210325