



VN	VIETNAM
----	---------

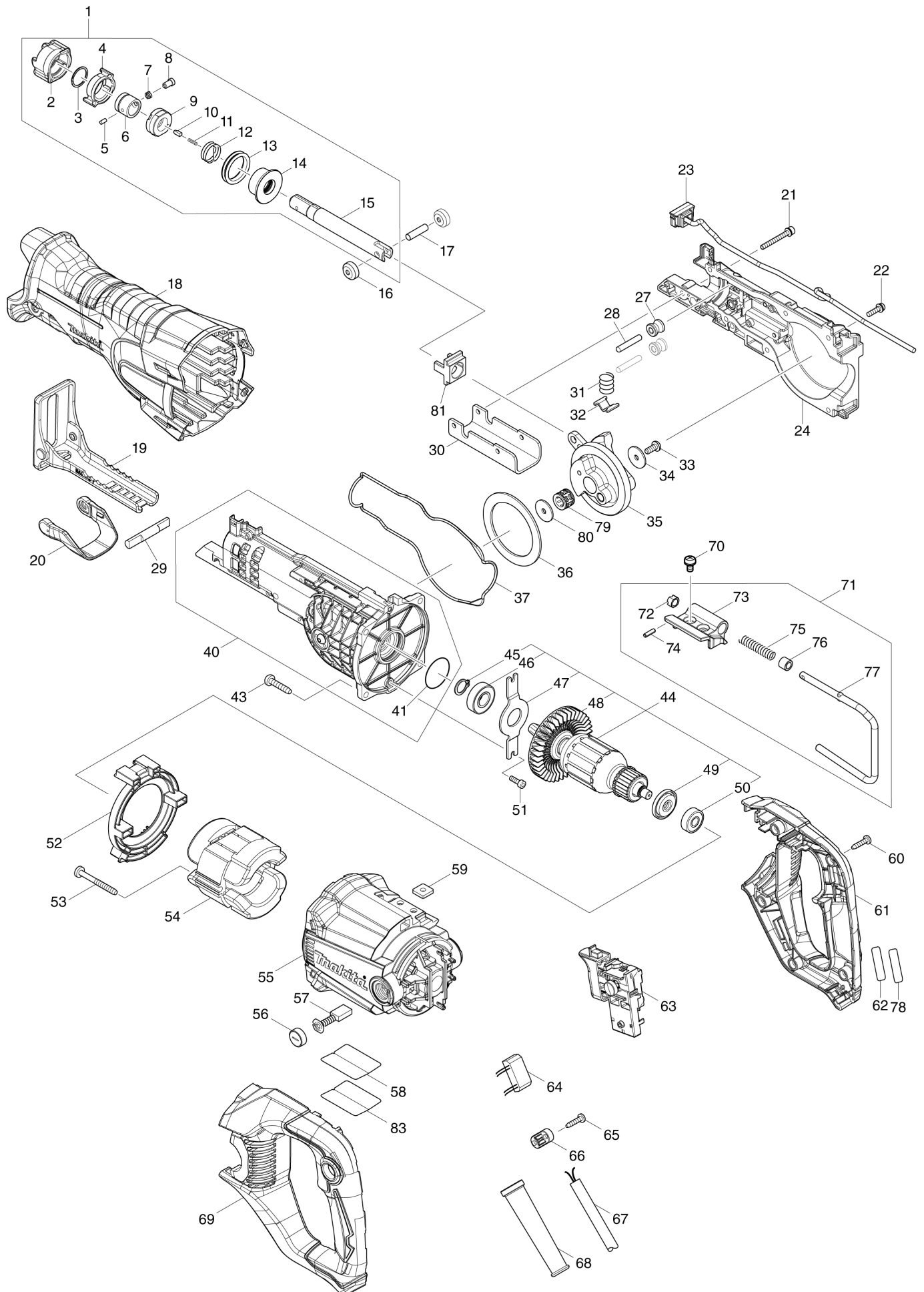
Diagram / Parts List

JR3061T

RECIPRO SAW



(VN) JR3061T / RECIPRO SAW



VN	VIETNAM
-----------	----------------

JR3061T / RECIPRO SAW

Item	Sub	Parts No.	Parts Description	Qty	I/C	E/C No.	Close No.	Remark
001		127683-2	SLIDER ASSEMBLY	1				
	D10		INC. 2-15					
002		422223-4	PROTECTOR	1				
003		257430-8	RETAINING RING(EXT)18	1				
004		310848-5	DRIVING SLEEVE	1				
005		268094-3	PIN 3	1				
006		327650-9	GUIDE SLEEVE	1				
007		234381-2	COMPRESSION SPRING 6	1				
008		256569-4	SHOULDER PIN 5	1				
009		458968-8	CONNECTING SLEEVE	1				
010		310912-2	PUSH PIN	1				
011		232472-3	COMPRESSION SPRING 2	1				
012		233594-2	TORSION SPRING 17	1				
013		422309-4	RUBBER RING 25	1				
014		140C81-1	SEAL HOLDER COMPLETE	1				
015		327652-5	SLDIER	1				
016		310663-7	ROLLER	2				
017		268341-2	PIN 6	1				
018		422308-6	INSULATION COVER	1				
019		161809-6	SHOE	1				
020		458644-4	LOCK LEVER	1				
021		266979-7	HEX.SOCKET HEAD BOLT M4X35 WR	2				
022		911526-6	P.H.SCREW M4X16 WITH WRM	5				
023		620965-6	LED CIRCUIT	1				
024		127139-5	GEAR HOUSING R ASSEMBLY	1				
	C10	422630-1	RUBBER PLATE	1				
027		327153-3	ROLLER F	2				
028		256579-1	PIN 5	2				
029		326599-0	LOCK PIN	1				
030		346937-0	SHOE GUIDE PLATE	1				
031		231231-2	COMPRESSION SPRING 12	1				
032		347415-3	SHOE LOCK PLATE	1				
033		265374-8	H.S. BUTTON HEAD SCREW M5X12	1				
034		253462-3	FLAT WASHER 5	1				
035		140C77-2	GEAR COMPLETE	1				
036		267490-2	FLAT WASHER 54	1				
037		422307-8	SEAL RING	1				
040		127140-0	GEAR HOUSING L ASSEMBLY	1				
	C10	422630-1	RUBBER PLATE	1				
	D10		INC. 41					
041		213437-4	O RING 28	1				
043		266459-3	TAPPING SCREW 5X25	4				
044		517978-5	ARMATURE ASS'Y 220V	1				
	D10		INC. 45-50					
045		961052-5	RETAINING RING S-12	1				
046		211131-2	BALL BEARING 6001DDW	1				
047		285033-8	BEARING RETAINER 81	1				
048		241863-7	FAN 70	1				
049		681644-1	INSULATION WASHER	1				
050		210029-0	BALL BEARING 608ZZ	1				
051		265353-6	HEX. SOCKET HEAD BOLT M4X12	2				
052		458643-6	BAFFLE PLATE	1				
053		266466-6	TAPPING SCREW 5X45	2				
054		521878-3	FIELD ASS'Y 220V	1				
	C10	654020-2	RING TERMINAL	2				
	C20	654501-6	CONNECTOR P-1.25	2				
055		140C78-0	MOTOR HOUSING COMPLETE	1				
056		643750-0	BRUSH HOLDER CAP 7-11	2				
057		B-80379	CARBON BRUSH SET CB-303A	1				
058		854V54-9	JR3061T NAME PLATE	1				
059		264002-2	SQUARE NUT M5	2				
060		266326-2	TAPPING SCREW 4X18	5				
061		183K39-5	HANDLE SET	1				
	D10		INC. 69					
062		854V59-9	JR3061T SERIAL NO. LABEL	1				

Interchange
O : Yes
X : No
< : the new part can be substituted for the current.
> : the current part can be substituted for the new.
S : Interchangeable as a set.

