



|    |         |
|----|---------|
| VN | VIETNAM |
|----|---------|

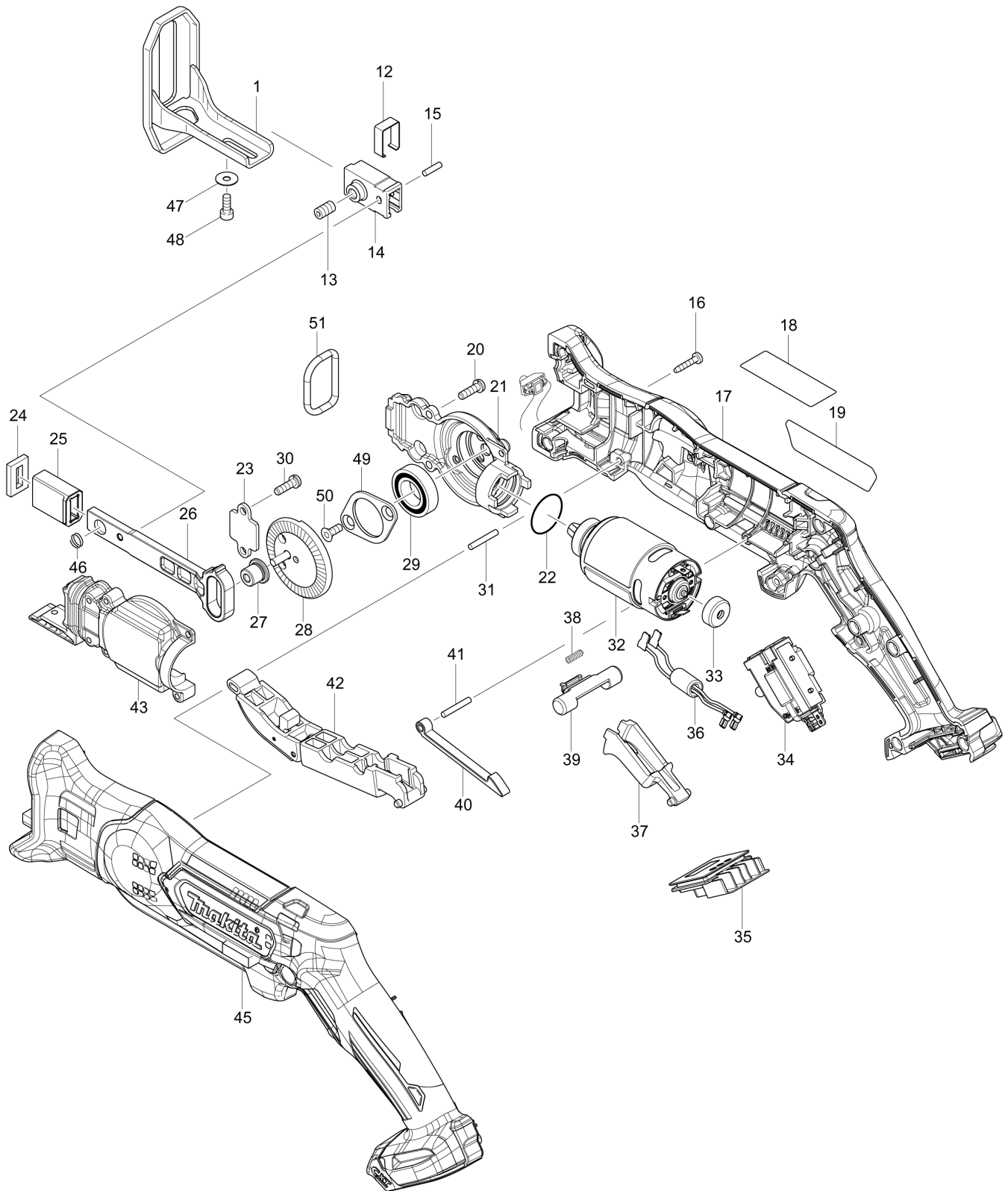
# Diagram / Parts List

JR105D

CORDLESS RECIPRO SAW



(VN) JR105D / CORDLESS RECIPRO SAW



|           |                |
|-----------|----------------|
| <b>VN</b> | <b>VIETNAM</b> |
|-----------|----------------|

**JR105D / CORDLESS RECIPRO SAW**

| Item   | Sub | Parts No. | Parts Description              | Qty | I/C | E/C No. | Close No. | Remark |
|--------|-----|-----------|--------------------------------|-----|-----|---------|-----------|--------|
| 001    |     | 165740-8  | SHOE                           | 1   |     |         |           |        |
| 012    |     | 346526-1  | CLAMPER                        | 1   |     |         |           |        |
| 013    |     | 251961-9  | H.S.SET SCREW(FLAT POINT)M6X10 | 1   |     |         |           |        |
| 014    |     | 310497-8  | BLADE CLAMP                    | 1   |     |         | C8265     |        |
| 014-1  |     | 310978-2  | BLADE CLAMP                    | 1   | <   | C8265   |           |        |
| 015    |     | 256157-7  | PIN 3                          | 1   |     |         |           |        |
| 016    |     | 266429-2  | TAPPING SCREW 3X16             | 10  |     |         |           |        |
| 017    |     | 183C31-3  | HOUSING SET                    | 1   |     |         |           |        |
|        | C10 | 263002-9  | RUBBER PIN 4                   | 3   |     |         |           |        |
|        | D10 |           | INC. 45                        |     |     |         |           |        |
| 019    |     | 851J07-7  | JR105D NAME PLATE              | 1   |     |         | Y07915    |        |
| 019-1  |     | 851J06-9  | JR105D NAME PLATE              | 1   | <   | Y07915  |           |        |
| 020    |     | 266747-8  | PAN HEAD SCREW M4X14 WITH WM   | 3   |     |         |           |        |
| 021    |     | 319060-4  | GEAR HOUSING                   | 1   |     |         |           |        |
| 022    |     | 213961-7  | O RING 22                      | 1   |     |         |           |        |
| 023    |     | 346525-3  | PLATE                          | 1   |     |         |           |        |
| 024    |     | 443185-3  | FELT SEAL                      | 1   |     |         |           |        |
| 025    |     | 313220-0  | SLIDER GUIDE                   | 1   |     |         |           |        |
| 026    |     | 313269-0  | SLIDER N                       | 1   |     |         |           |        |
| 027    |     | 313270-5  | COLLARED SLEEVE 4              | 1   |     |         |           |        |
| 028    |     | 142284-5  | GEAR COMPLETE                  | 1   |     |         |           |        |
| 029    |     | 211242-3  | BALL BEARING 6902ZZ            | 1   |     |         |           |        |
| 030    |     | 266747-8  | PAN HEAD SCREW M4X14 WITH WM   | 2   |     |         |           |        |
| 031    |     | 256158-5  | PIN 3                          | 1   |     |         |           |        |
| 032    |     | 629165-5  | DC MOTOR                       | 1   |     |         |           |        |
| 033    |     | 424467-2  | CAP                            | 1   |     |         |           |        |
| 034    |     | 632F47-8  | SWITCH UNIT                    | 1   |     |         |           |        |
|        | C10 | 620447-8  | LED CIRCUIT                    | 1   |     |         |           |        |
| 035    |     | 644813-5  | TERMINAL                       | 1   |     |         |           |        |
| 037    |     | 453072-8  | SWITCH LEVER R                 | 1   |     |         |           |        |
| 038    |     | 233438-6  | COMPRESSION SPRING 4           | 1   |     |         |           |        |
| 039    |     | 454661-2  | LOCK OFF LEVER R               | 1   |     |         |           |        |
| 040    |     | 313219-5  | LINK                           | 1   |     |         |           |        |
| 041    |     | 256158-5  | PIN 3                          | 1   |     |         |           |        |
| 042    |     | 141128-6  | SWITCH LEVER F COMPLETE        | 1   |     |         |           |        |
| 043    |     | 319061-2  | GEAR HOUSING COVER             | 1   |     |         |           |        |
| 045    |     | 183C31-3  | HOUSING SET                    | 1   |     |         |           |        |
|        | C10 | 263002-9  | RUBBER PIN 4                   | 3   |     |         |           |        |
|        | D10 |           | INC. 17                        |     |     |         |           |        |
| 046    |     | 234258-1  | COMPRESSION SPRING 7           | 1   |     |         |           |        |
| 047    |     | 253874-0  | FLAT WASHER 4                  | 1   |     |         |           |        |
| 048    |     | 922112-8  | HEX. SOCKET HEAD BOLT M4X10    | 1   |     |         |           |        |
| 049    |     | 285738-0  | BEARING RETAINER 36            | 1   |     |         |           |        |
| 050    |     | 265035-0  | COUNTERSUNK HEAD SCREW M4X10   | 2   |     |         |           |        |
| 051    |     | 424597-9  | RUBBER RING 23                 | 1   |     |         |           |        |
| A01    |     | 783201-2  | HEX. WRENCH 3                  | 1   |     |         |           |        |
| A02    |     | B-20432   | RECIPROSAW BLADE 100MM         | 1   |     |         |           |        |
| A03    |     | B-20404   | RECIPROSAW BLADE 100MM         | 1   |     |         |           |        |
| A04B   |     | 456128-6  | BATTERY COVER                  | 1   |     |         |           |        |
| A04C   |     | 456128-6  | BATTERY COVER                  | 1   |     |         |           |        |
| A05B   |     | ***DC10SB | DC10SB BATTERY CHARGER         | 1   |     |         |           |        |
|        | D10 |           | COMPO-PARTS                    |     |     |         |           |        |
| A05C   |     | ***DC10SB | DC10SB BATTERY CHARGER         | 1   |     |         |           |        |
|        | D10 |           | COMPO-PARTS                    |     |     |         |           |        |
| A06B   |     | 197393-5  | BATTERY BL1016 SET             | 2   |     |         |           |        |
| A06C   |     | 197396-9  | BATTERY BL1021B SET            | 2   |     |         | C5226     |        |
| A06-1C |     | 197396-9  | BATTERY BL1021B SET            | 2   | O   | C5226   |           |        |
| A07B   |     | 821662-9  | PLASTIC CARRYING CASE          | 1   |     |         |           |        |
|        | C10 | 162315-4  | LATCH                          | 2   |     |         |           |        |
| A07C   |     | 821662-9  | PLASTIC CARRYING CASE          | 1   |     |         |           |        |
|        | C10 | 162315-4  | LATCH                          | 2   |     |         |           |        |

B:JR105DSYE(H)  
C:JR105DSAE(H)

Interchange  
O : Yes  
X : No  
< : the new part can be substituted for the current.  
> : the current part can be substituted for the new.  
S : Interchangeable as a set.