



VN	VIETNAM
----	---------

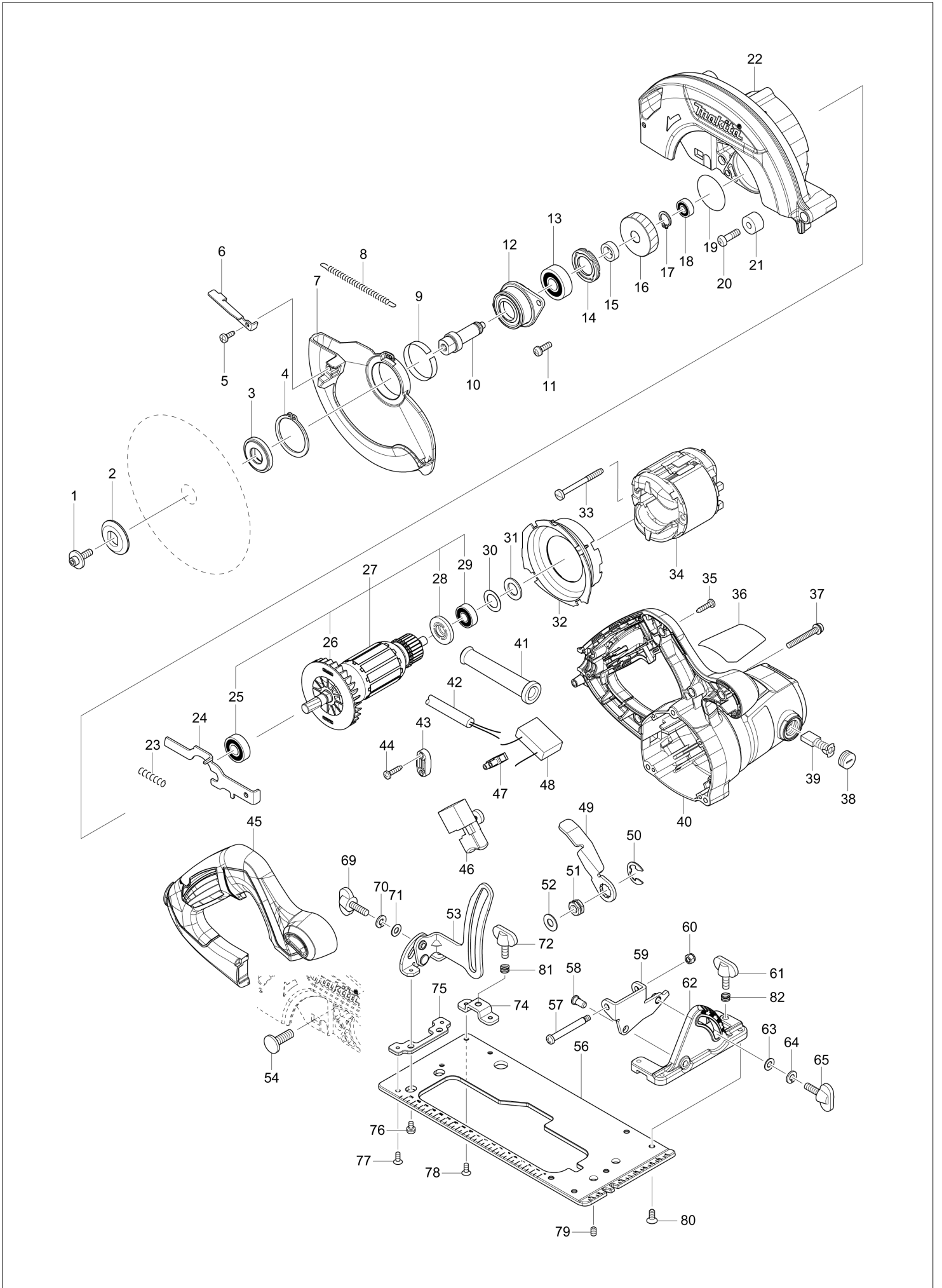
Diagram / Parts List

HS6600

165MM CIRCULAR SAW



(VN) HS6600 / 165MM CIRCULAR SAW



VN	VIETNAM
-----------	----------------

HS6600 / 165MM CIRCULAR SAW

Item	Sub	Parts No.	Parts Description	Qty	I/C	E/C No.	Close No.	Remark
001		266024-8	HEX. SOCKET HEAD BOLT M6X20	1				
002		224409-4	OUTER FLANGE 35	1				
003		224473-5	INNER FLANGE 35	1			B7950	
003-1		224593-5	INNER FLANGE 35	1	<	B7950		
004		961155-5	RETAINING RING S-38	1				
005		266034-5	TAPPING SCREW CT 4X16	1				
006		345931-9	LEVER PLATE	1				
007		319307-6	SAFETY COVER	1				
008		231893-6	TENSION SPRING 4	1				
009		345391-5	THICKNESS RING	1				
010		326444-9	SPINDLE	1				
011		911226-8	PAN HEAD SCREW M5X18	2				
012		319088-2	BEARING BOX	1				
013		211129-9	BALL BEARING 6201DDW	1				
014		285852-2	BEARING RETAINER 19-33	1				
015		257173-2	RING 12	1				
016		227793-6	HELICAL GEAR 38	1				
017		961052-5	RETAINING RING S-12	1				
018		210028-2	BALL BEARING 606ZZ	1				
019		213512-6	O RING 39	1				
020		265117-8	+PAN HEAD SCREW M6X20	1				
021		262502-6	RUBBER SLEEVE 6	1				
022		143224-6	BLADE CASE COMPLETE	1				
	C10	213821-3	O-RING 26	1				
023		233117-6	COMPRESSION SPRING 6	1				
024		345317-7	SHAFT LOCK	1				
025		210059-1	BALL BEARING 6000DDW	1				
026		240064-4	FAN 70	1				
027		513458-9	ARMATURE ASS'Y 220V	1				
	D10		INC. 25,26,28,29					
028		681644-1	INSULATION WASHER	1				
029		210005-4	BALL BEARING 608DDW	1				
030		253192-6	FLAT WASHER 14	1				
031		261109-5	RUBBER WASHER 13	1				
032		455354-4	BAFFLE PLATE	1				
033		266418-7	TAPPING SCREW 5X55	2				
034		593888-0	FIELD ASSEMBLY 220V	1				
	C10	654020-2	RING TERMINAL	2				
	C20	654501-6	CONNECTOR P-1.25	2				
035		266326-2	TAPPING SCREW 4X18	5				
036		851N59-2	HS6600 NAME PLATE	1				
037		265104-7	PAN HEAD SCREW M5X40	3				
038		643750-0	BRUSH HOLDER CAP 7-11	2				
039		B-80379	CARBON BRUSH SET CB-303A	1				
040		142872-8	MOTOR HOUSING COMPLETE	1				
	C10	643708-9	BRUSH HOLDER 5-11	2				
041		682574-9	CORD GUARD 10-90	1				
042		691015-4	POWER SUPPLY CORD 0.75-2-2.5	1				
043		687140-7	STRAIN RELIEF	1				
044		266326-2	TAPPING SCREW 4X18	2				
045		455353-6	HANDLE COVER	1				
046		651284-9	SWITCH SGEL115CDY-6	1				
049		346311-2	LEVER PLATE	1				
050		257953-6	BOW STOP RING E-12	1				
051		252199-9	HEX. NUT M8-13	1				
052		941201-0	FLAT WASHER 8	1				
053		161337-1	DEPTH GUIDE COMPLETE	1				
054		266396-1	FLATHEAD SQUARENECKBOLT M8X24	1				
056		346894-2	BASE	1				
057		265118-6	+ PAN HEAD SCREW M5	1				
058		256480-0	SHOULDER PIN 6-7	1				
059		346827-7	ANGULAR GUIDE	1				
060		252103-8	HEX. LOCK NUT M5-8	1				
061		265701-9	THUMB SCREW M6X14	1				
062		319308-4	ANGULAR PLATE	1				

Interchange
O : Yes
X : No
< : the new part can be substituted for the current.
> : the current part can be substituted for the new.
S : Interchangeable as a set.

VN VIETNAM

HS6600 / 165MM CIRCULAR SAW

Table with columns: Item, Sub, Parts No., Parts Description, Qty, I/C, E/C No., Close No., Remark. Contains 37 rows of parts including washers, screws, springs, and wrenches.

Interchange
O : Yes
X : No
< : the new part can be substituted for the current.
> : the current part can be substituted for the new.
S : Interchangeable as a set.