



VN	VIETNAM
----	---------

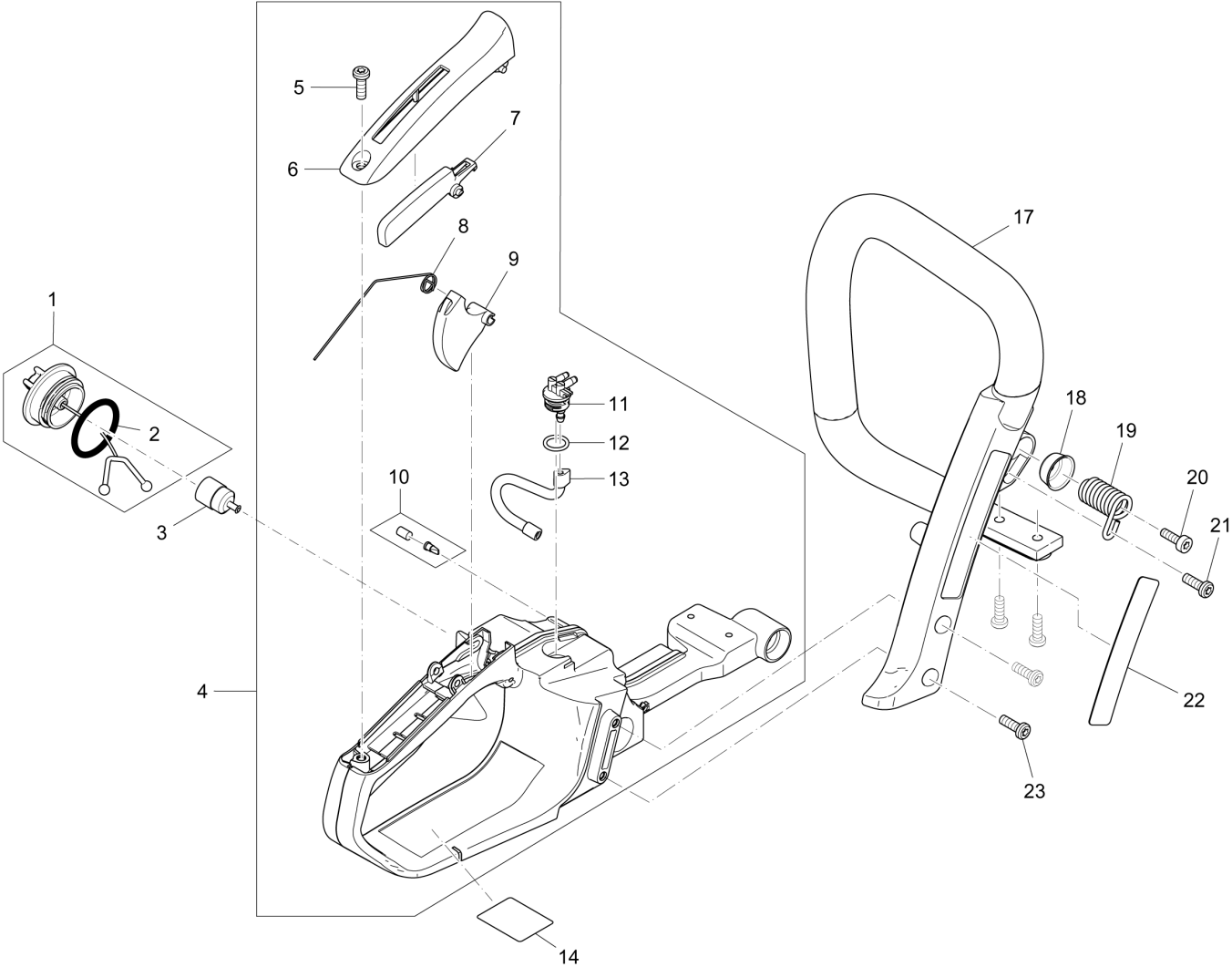
# Diagram / Parts List

**EA3503S**

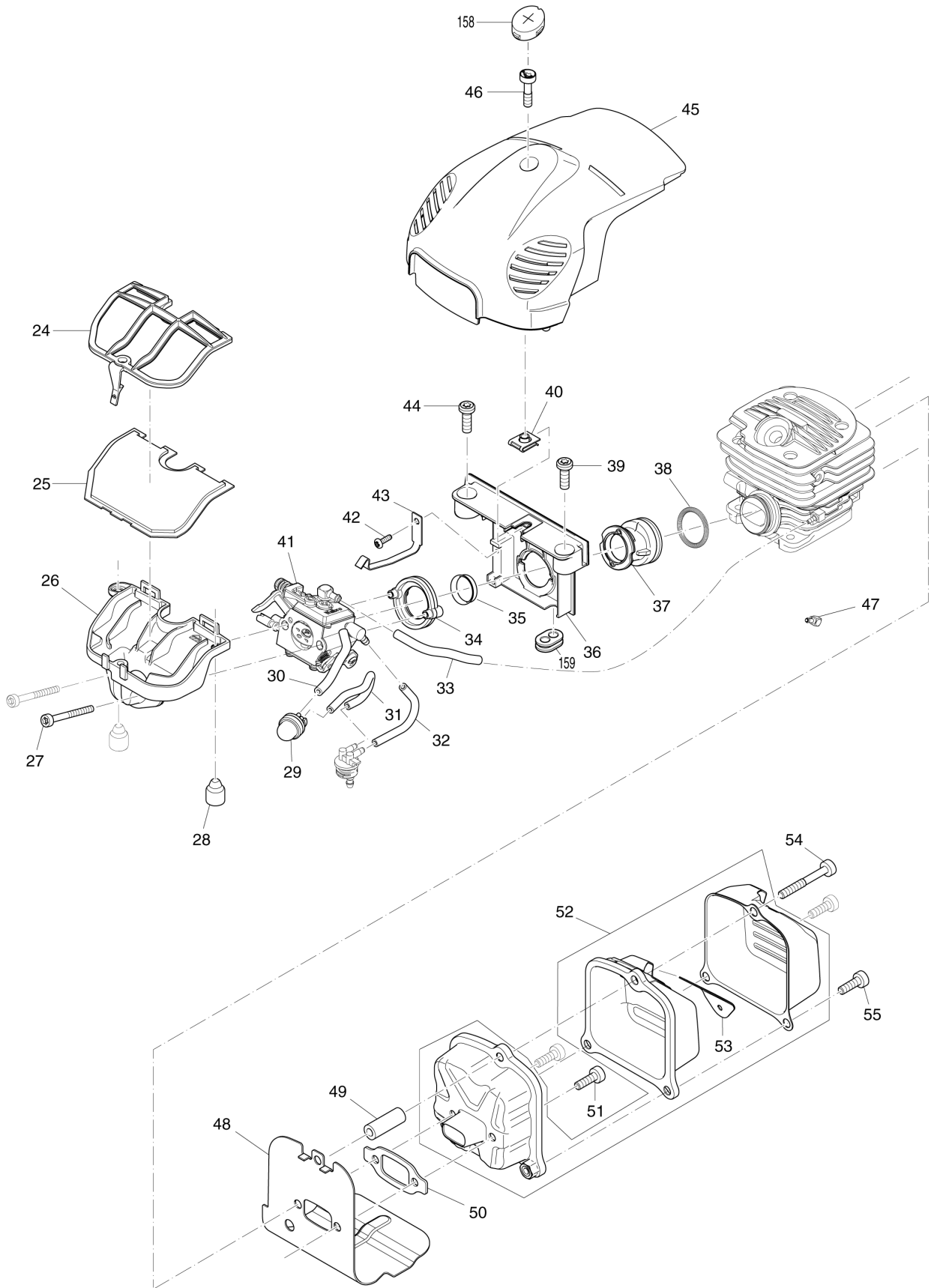
**PETROL CHAIN SAW**



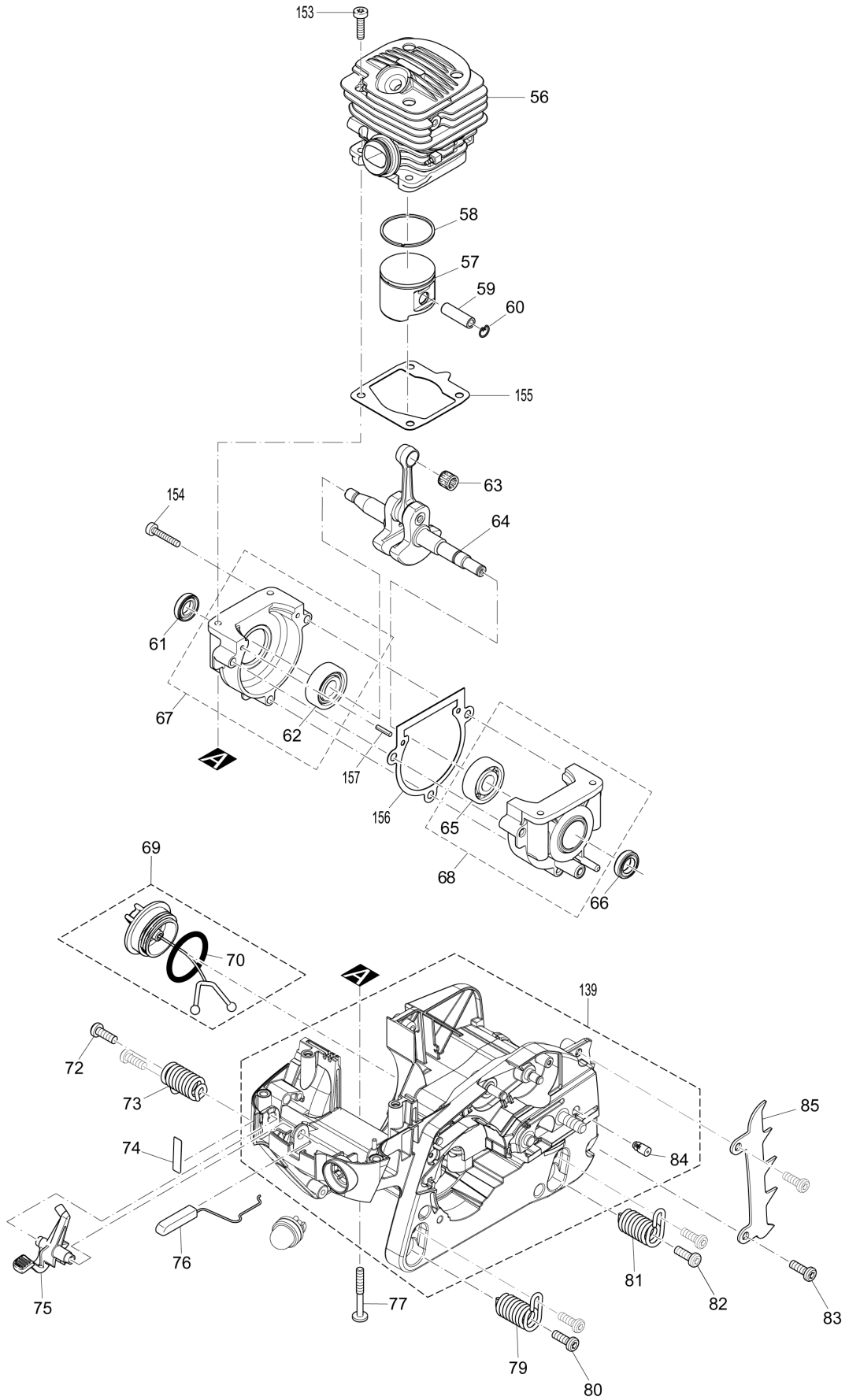
(VN) EA3503S / PETROL CHAIN SAW



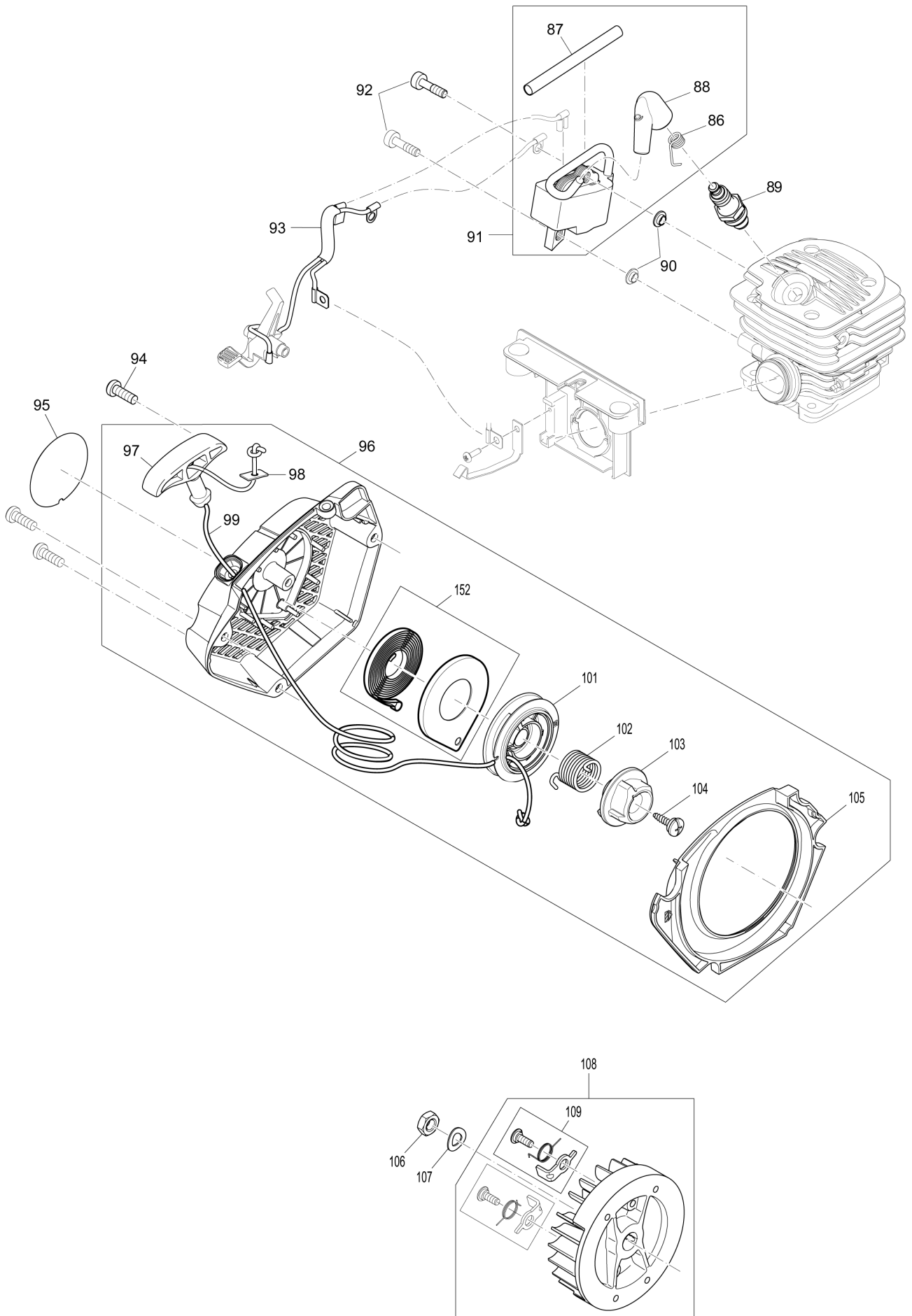
(VN) EA3503S / PETROL CHAIN SAW



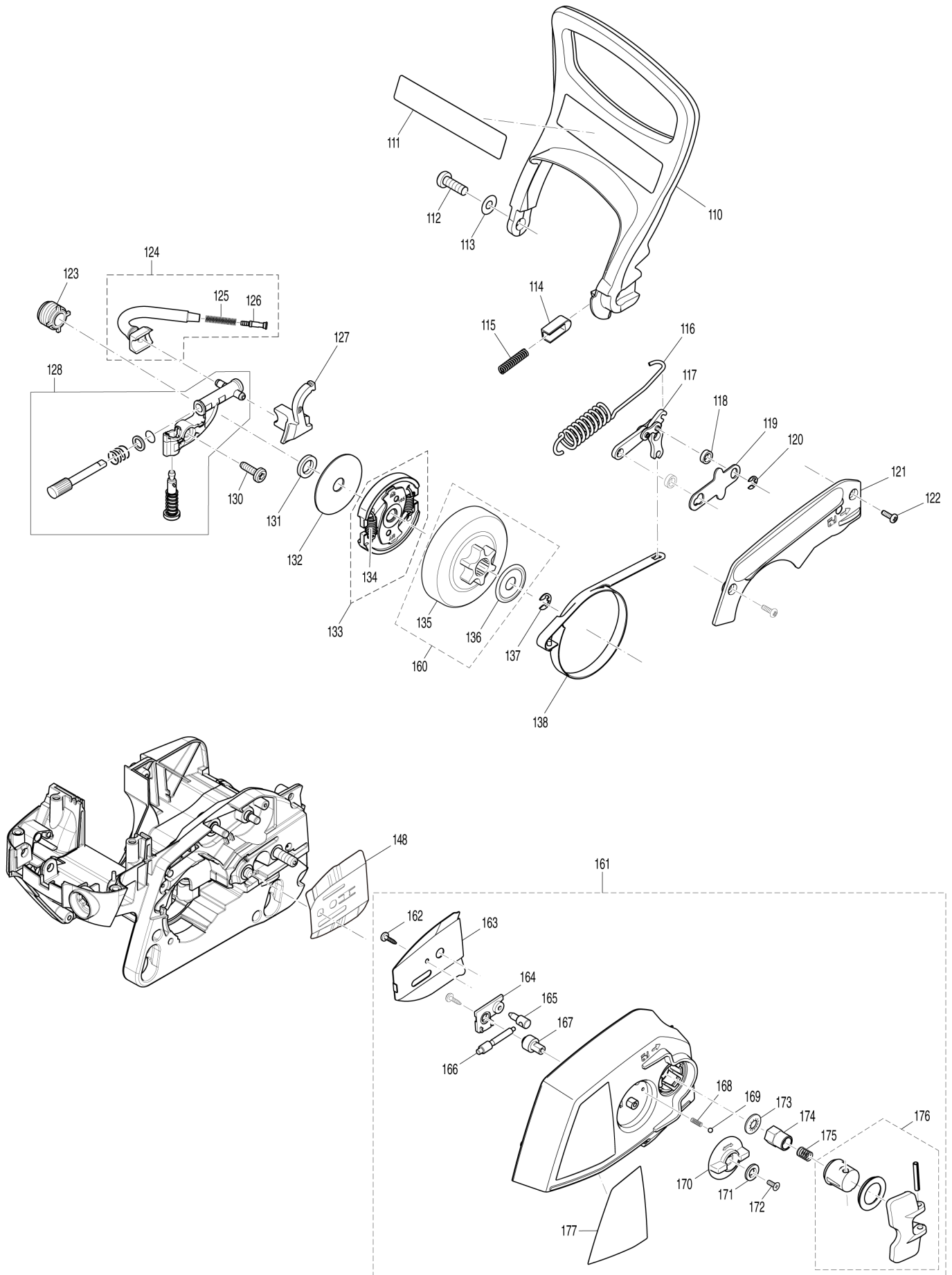
(VN) EA3503S / PETROL CHAIN SAW



(VN) EA3503S / PETROL CHAIN SAW



(VN) EA3503S / PETROL CHAIN SAW



<b>VN</b>	<b>VIETNAM</b>
-----------	----------------

### EA3503S / PETROL CHAIN SAW

Item	Sub	Parts No.	Parts Description	Qty	I/C	E/C No.	Close No.	Remark
001		168823-3	TANK CAP COMPLETE	1				
	D10		INC. 2					
002		213080-9	O RING 29.5	1				
003		163447-0	FUEL FILTER	1			B3537	
003-1		163447-0	FUEL FILTER	1	O	B3537		
004		195758-5	TANK ASSEMBLY A BLUE	1				
	D10		INC. 5-13					
005		266651-1	H.L. TAPPING SCREW 5.5X16	1				
006		452021-2	GRIP SHELL	1				
007		452020-4	CATCH LEVER	1				
008		231866-9	TORSION SPRING 10	1				
009		452019-9	THROTTLE LEVER	1				
010		195762-4	AIR VALVE SET	1				
011		452018-1	FUEL NIPPLE	1				
012		213586-7	O RING 11.5	1				
013		424456-7	FUEL LINE	1				
014		851R08-3	EA3503S NAME PLATE	1				
017		452036-9	TUBULAR HANDLE	1				
018		346517-2	CUP WASHER 6	1				
019		234189-4	COMPRESSION SPRING 12	1				
020		266605-8	H.L. SOCKET HEAD BOLT M5X16	1				
021		266651-1	H.L. TAPPING SCREW 5.5X16	1				
022		891898-4	MAKITA LOGO LABEL	1				
023		266651-1	H.L. TAPPING SCREW 5.5X16	4				
024		452031-9	AIR FILTER COVER	1				
025		423414-0	AIR FILTER	1				
026		452030-1	INTAKE MANIFOLD	1				
027		266604-0	H.L. SOCKET HEAD BOLT M4X40	2				
028		424173-9	DAMPING PLUG	2				
029		168398-2	PRIMER PUMP	1				
030		422067-2	TUBE 2.5-55	1				
031		422065-6	TUBE 2.5-112	1				
032		422068-0	TUBE 3-70	1				
033		422066-4	TUBE 2.5-72	1				
034		318634-8	FLANGE RING	1				
035		346413-4	BUSH 17	1				
036		454874-5	INTERMEDIATE FLANGE	1				
037		424617-9	INTAKE HOSE	1				
038		233971-8	RING SPRING	1				
039		266651-1	H.L. TAPPING SCREW 5.5X16	1				
040		264044-6	SNAP NUT M5	1				
041		168828-3	CARBURETOR	1			Y07119	
041-1		168828-3	CARBURETOR	1	O	Y07119		
	C02	ZJ00000077	NOZZLE ASSEMBLY	1		Y07119		
	C04	ZJ00000003	STRAINER	1		Y07119		
	C06	ZJ00000008	PIN	1		Y07119		
	C08	ZJ00000078	SPRING, METERING LEVER	1		Y07119		
	C10	ZJ00000006	LEVER	1		Y07119		
	C12	ZJ00000007	VALVE, INLET NEEDLE	1		Y07119		
	C14	ZJ00000009	SCREW (METERING LEVER PIN)	1		Y07119		
	C16	ZJ00000079	METERING CHAMBER GASKET	1		Y07119		
	C18	ZJ00000013	DIAPHRAGM ASS'Y,METERING	1		Y07119		
	C20	ZJ00000029	DIAPHRAGM, PUMP	1		Y07119		
	C22	ZJ00000016	GASKET, PUMP	1		Y07119		
	C24	ZJ00000004	COVER KIT,PUMP	1		Y07119		
	C26	ZJ00000020	SCREW (PUMP COVER)	1		Y07119		
	C28	ZJ00000026	SCREW,IDLE MIXTURE	1		Y07119		
	C30	ZJ00000039	SCREW,MAIN MIXTURE	1		Y07119		
	C32	ZJ00000035	RETAINER	2		Y07119		
	C34	ZJ00000037	STRAINER	1		Y07119		
	C36	ZJ00000073	SPRING	1		Y07119		
	C38	ZJ00000015	THROTTLE SHAFT ASSY	1		Y07119		
	C40	ZJ00000012	SHAFT ASSY,CHOKE	1		Y07119		
	C42	ZJ00000080	THROTTLE VALVE	1		Y07119		
	C44	ZJ00000001	SCREW	2		Y07119		

Interchange  
O : Yes  
X : No  
< : the new part can be substituted for the current.  
> : the current part can be substituted for the new.  
S : Interchangeable as a set.

<b>VN</b>	<b>VIETNAM</b>
-----------	----------------

### EA3503S / PETROL CHAIN SAW

Item	Sub	Parts No.	Parts Description	Qty	I/C	E/C No.	Close No.	Remark
	C46	ZJ00000036	PLUG,ACC POCKET	1		Y07119		
	C48	ZJ00000034	SPRING,THROTTLE RETURN	1		Y07119		
	C50	ZJ00000022	LEVER,THROTTLE	1		Y07119		
	C52	ZJ00000023	SCREW	2		Y07119		
	C54	ZJ00000021	COLLAR	1		Y07119		
	C56	ZJ00000028	COVER,METERING	1		Y07119		
	C58	ZJ00000014	SCREW (WITH SERRATION)	2		Y07119		
	C60	ZJ00000033	WASHER	1		Y07119		
	C62	ZJ00000031	LEVER,CHOKE	1		Y07119		
	C64	ZJ00000025	LEVER,CHOKE	1		Y07119		
	C66	ZJ00000040	SPRING,THROTTLE RETURN	1		Y07119		
	C68	ZJ00000017	E-RING	1		Y07119		
	C70	ZJ00000024	VALVE,CHOKE	1		Y07119		
	C72	ZJ00000005	PLUNGER KIT	1		Y07119		
	C74	ZJ00000032	SPRING,CHOKE RETURN	1		Y07119		
	C76	ZJ00000081	REBUILT KIT	1		Y07119		
	C78	ZJ00000082	GASKET&DIAPHRAGM KIT	1		Y07119		
	C80	ZJ00000083	THROTTLE KIT	1		Y07119	Y07185	
	C82	ZJ00000084	CHOKE KIT	1		Y07119	Y07185	
042		266421-8	TAPPING SCREW 3X10	1				
043		346290-4	CONTACT SPRING	1				
044		266651-1	H.L. TAPPING SCREW 5.5X16	1				
045		454875-3	HOOD	1				
046		266607-4	H.L. SOCKET HEAD BOLT M5X20	1				
047		325938-1	ANGULAR NIPPLE	1			A9803	
048		346764-5	COOLING PLATE	1				
049		326390-6	CONNECTING LINK	1				
050		346304-9	GASKET	1				
051		266605-8	H.L. SOCKET HEAD BOLT M5X16	2				
052		168831-4	MUFFLER COMPLETE	1				
	D10		INC. 53					
053		346823-5	SPARK ARRESTER	1				
054		266480-2	H.L. SOCKET HEAD BOLT M5X55	1				
055		266605-8	H.L. SOCKET HEAD BOLT M5X16	2				
056		319073-5	CYLINDER 38	1			A9803	
056-1		143323-4	CYLINDER COMPLETE	1	<	A9803		
057		319108-2	PISTON 38	1				
058		257366-1	PISTON RING 38	1				
059		326395-6	PISTON PIN	1				
060		234323-6	RING SPRING 9	2				
061		213141-5	OIL SEAL 12	1				
062		211494-6	BALL BEARING 6201	1			C3091	
062-1		211341-1	BALL BEARING 6201	1	O	C3091		
063		212093-7	NEEDLE CAGE 912	1				
064		142417-2	CRANKSHAFT COMPLETE	1			A9803	
064-1		123530-5	CRANKCASE ASSEMBLY	1	<	A9803	C3091	
	C10	142417-2	CRANKSHAFT COMPLETE	1		A9803	C3091	
	D10		INC. 61,66-68,154,156,157			A9803	C3091	
064-2		127075-5	CRANKCASE ASSEMBLY	1	O	C3091		
	C10	142417-2	CRANKSHAFT COMPLETE	1		C3091		
	D10		INC. 61,66-68,154,156,157			C3091		
065		211494-6	BALL BEARING 6201	1			C3091	
065-1		211341-1	BALL BEARING 6201	1	O	C3091		
066		213141-5	OIL SEAL 12	1				
067		126380-7	CRANKCASE MS ASSEMBLY	1			C3091	
	D10		INC. 62				C3091	
067-1		144357-0	CRANKCASE MS ASSEMBLY	1	S	C3091		
	D10		INC. 62			C3091		
068		126381-5	CRANKCASE KS ASSEMBLY	1			C3091	
	D10		INC. 65				C3091	
068-1		144356-2	CRANKCASE KS ASSEMBLY	1	S	C3091		
	D10		INC. 65			C3091		
069		168823-3	TANK CAP COMPLETE	1				
	D10		INC. 70					
070		213080-9	O RING 29.5	1				

Interchange  
O : Yes  
X : No  
< : the new part can be substituted for the current.  
> : the current part can be substituted for the new.  
S : Interchangeable as a set.



<b>VN</b>	<b>VIETNAM</b>
-----------	----------------

### EA3503S / PETROL CHAIN SAW

Item	Sub	Parts No.	Parts Description	Qty	I/C	E/C No.	Close No.	Remark
072		266651-1	H.L. TAPPING SCREW 5.5X16	2				
073		234189-4	COMPRESSION SPRING 12	1				
074		816917-5	INDICATION LABEL	1				
075		452025-4	CHOKE LEVER	1				
076		452022-0	THROTTLE LINKAGE	1				
077		266608-2	H.L.TAPPING SCREW 5X40	4				
078		326402-5	BUSH 6	4				
079		234189-4	COMPRESSION SPRING 12	1				
080		266651-1	H.L. TAPPING SCREW 5.5X16	2				
081		234189-4	COMPRESSION SPRING 12	1				
082		266651-1	H.L. TAPPING SCREW 5.5X16	2				
083		266651-1	H.L. TAPPING SCREW 5.5X16	2				
084		168504-9	VENT VALVE	1				
085		346301-5	SPIKE BAR	1				
086		326210-4	TERMINAL SPRING	1				
087		444042-8	ISOLATING TUBE 6-80	1				
088		424522-0	PLUG CAP	1				
089		168401-9	SPARK PLUG	1				
090		452670-5	ISOLATING WASHER	2				
091		126270-4	IGNITION COIL ASSEMBLY	1			DB428	
	D10		INC. 86-88				DB428	
091-1		126270-4	IGNITION COIL ASSEMBLY	1	O	DB428		
	D10		INC. 86-88			DB428		
092		266631-7	H.L. SOCKET HEAD BOLT M5X20	2				
093		168601-1	CABLE HARNESS	1				
094		266651-1	H.L. TAPPING SCREW 5.5X16	3				
095		806Y49-6	EA3503S MODEL NO. LABEL	1				
096		168608-7	STARTER COMPLETE BLUE	1			A6201	
	D10		INC. 97-99,101-105,152				A6201	
096-1		161328-2	STARTER COMPLETE BLUE	1	O	A6201		
	D10		INC. 97-99,101-105,152			A6201		
097		453783-5	STARTER GRIP	1				
098		267847-7	SQUARE WASHER 4	1				
099		444038-9	STARTER ROPE	1				
101		453785-1	REEL	1			A6201	
101-1		455919-2	REEL	1	X	A6201		
102		234253-1	TORSION SPRING 20	1				
103		453786-9	CAM PLATE	1				
104		266777-9	TAPPING SCREW 5X12	1				
105		452026-2	AIR GUIDE PLATE	1				
106		264053-5	HEX. NUT M8X1	1				
107		267822-3	SPRING WASHER 8	1				
108		140480-9	FLYWHEEL COMPLETE	1				
	D10		INC. 109					
109		195761-6	RATCHET SET	2				
110		452032-7	HAND GUARD	1				
111		810449-4	CAUTION LABEL	1			C5811	
111-1		818L12-9	CAUTION LABEL	1	<	C5811		
112		266651-1	H.L. TAPPING SCREW 5.5X16	1				
113		253715-0	FLAT WASHER 6	1				
114		313212-9	HAND GUARD GUIDE	1				
115		234210-9	COMPRESSION SPRING 3	1				
116		231868-5	TENSION SPRING 10	1				
117		163500-2	LINK PLATE COMPLETE	1				
118		325947-0	BUSH 6	2				
119		346299-6	SPACER SHEET METAL	1				
120		961011-9	STOP RING E-4	1				
121		452033-5	BRAKE COVER	1			B9729	
121-1		458425-6	BRAKE COVER	1	S	B9729		
122		266421-8	TAPPING SCREW 3X10	2				
123		452035-1	PUMP DRIVE	1				
124		168645-1	OIL SUCTION LINE COMPLETE	1				
	D10		INC. 125,126					
125		234207-8	COMPRESSION SPRING 6	1				
126		452666-6	NIPPLE	1				

Interchange  
O : Yes  
X : No  
< : the new part can be substituted for the current.  
> : the current part can be substituted for the new.  
S : Interchangeable as a set.

