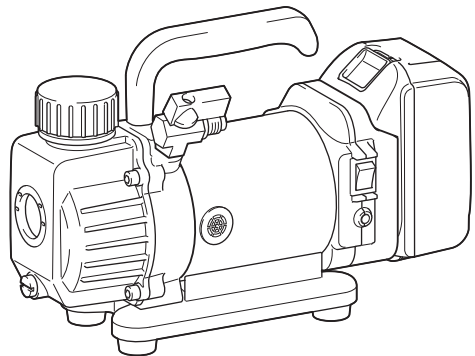




GB	Cordless Vacuum Pump	Instruction Manual	4
CS	充电式真空泵	使用说明书 (保留备用)	10
CT	充電式真空幫浦	使用說明書	16
KR	충전식 진공 펌프	사용 설명서	21
ID	Pompa Vakum Nirkabel	Buku Petunjuk	26
VI	Máy Bơm Chân Không Cầm Tay Hoạt Động Bằng Pin	Hướng dẫn sử dụng	32
TH	ปั๊มสุญญากาศแบบไร้สาย	คู่มือใช้งาน	38
ES	Bomba de Vacío Inalámbrica	Manual de instrucciones	43
BZ	Bomba de Vácuo a Bateria	Manual de instruções	50

DVP180



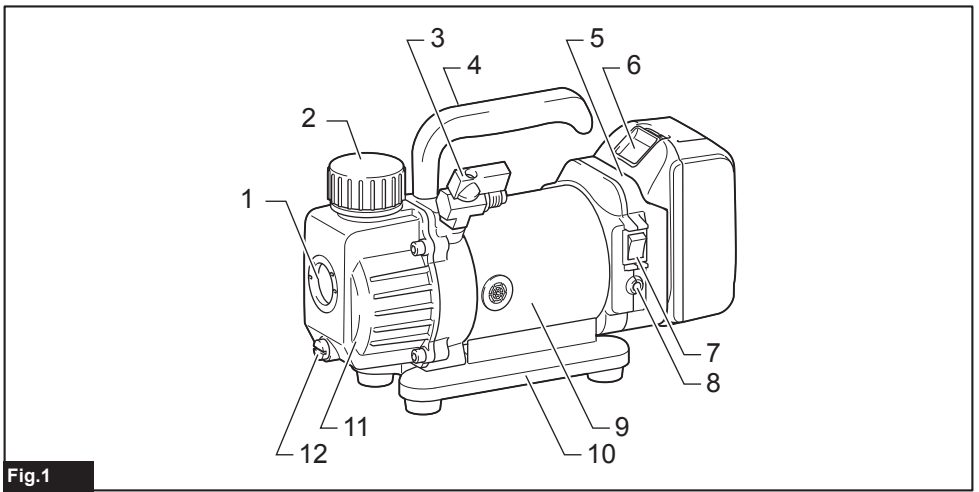


Fig.1

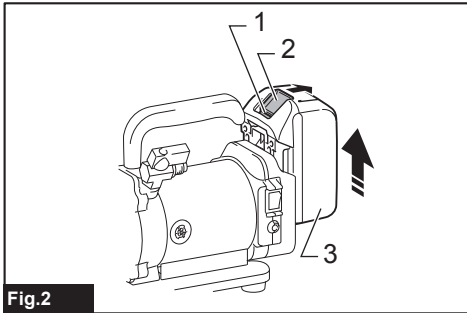


Fig.2

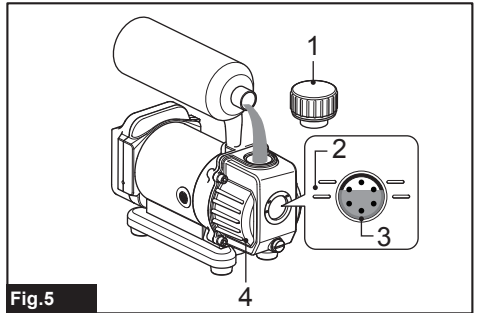


Fig.5

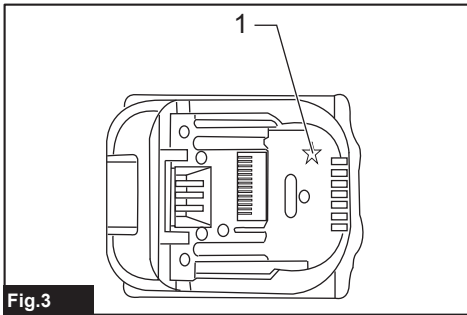


Fig.3

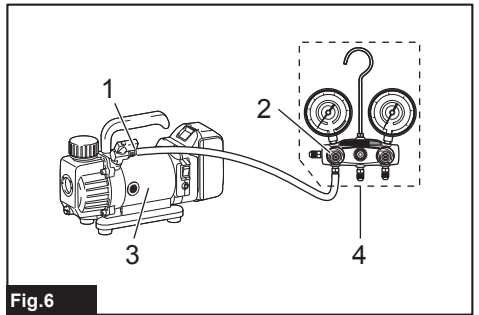


Fig.6

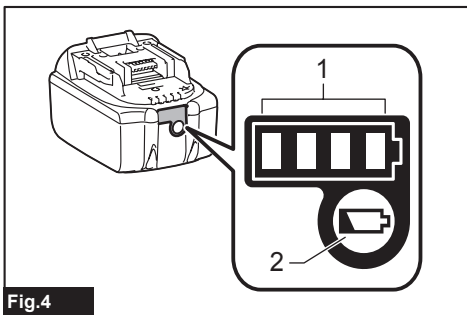


Fig.4

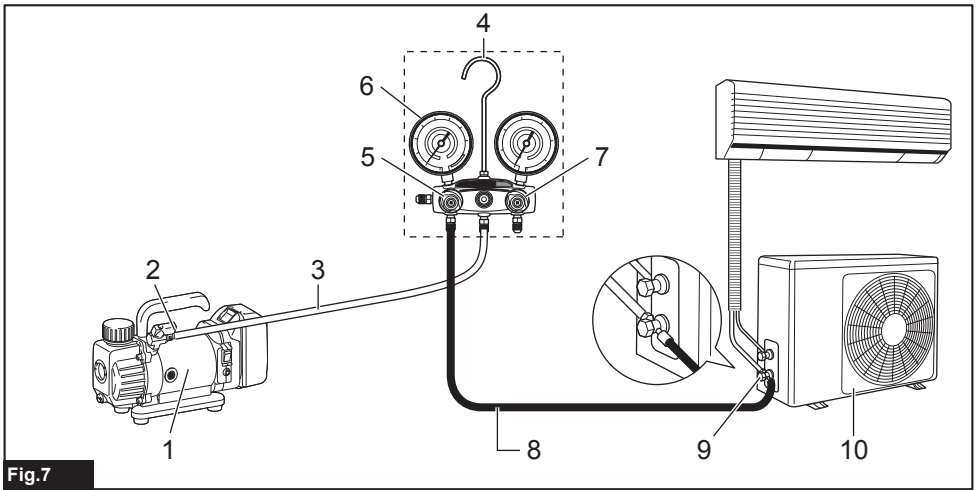


Fig.7

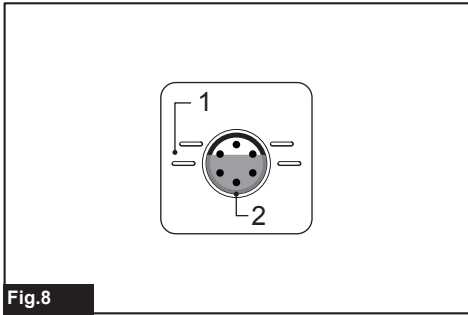


Fig.8

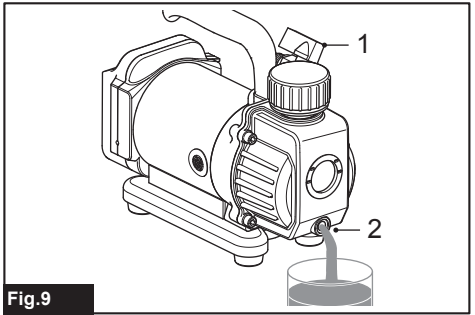


Fig.9

SPECIFICATIONS

Model:	DVP180
Battery cartridge (capacity)	BL1860B (6.0 Ah) BL1850 / BL1850B (5.0 Ah) BL1840 / BL1840B (4.0 Ah) BL1830 / BL1830B (3.0 Ah)
Rated voltage	D.C. 18 V
Pump	Single stage rotary pump
Free air displacement	50 L/min
Ultimate vacuum	20 Pa
Oil capacity	100 – 115 ml
Intake	5/16" flare male
Dimensions	263 mm (L) × 93 mm (W) × 172 mm (H)
Net weight (with the BL1850 battery)	3.5 kg

- Due to our continuing program of research and development, the specifications herein are subject to change without notice.
- Specifications and battery cartridge may differ from country to country.
- Weight, with battery cartridge, according to EPTA-Procedure 01/2003

Symbols

The following show the symbols used for the equipment. Be sure that you understand their meaning before use.



- Read instruction manual.



- **Warning: hot surface!**
Do not touch around this symbol.
Touching the surface may cause burns or injuries.



- Only for EU countries
Do not dispose of electric equipment or battery pack together with household waste material!
In observance of the European Directives, on Waste Electric and Electronic Equipment and Batteries and Accumulators and Waste Batteries and Accumulators and their implementation in accordance with national laws, electric equipment and batteries and battery pack(s) that have reached the end of their life must be collected separately and returned to an environmentally compatible recycling facility.

General power tool safety warnings

⚠ WARNING: Read all safety warnings and all instructions. Failure to follow the warnings and instructions may result in electric shock, fire and/or serious injury.

Save all warnings and instructions for future reference.

The term “power tool” in the warnings refers to your mains-operated (corded) power tool or battery-operated (cordless) power tool.

Work area safety

1. **Keep work area clean and well lit.** Cluttered or dark areas invite accidents.
2. **Do not operate power tools in explosive atmospheres, such as in the presence of flammable liquids, gases or dust.** Power tools create sparks which may ignite the dust or fumes.
3. **Keep children and bystanders away while operating a power tool.** Distractions can cause you to lose control.

Electrical safety

4. **Power tool plugs must match the outlet. Never modify the plug in any way. Do not use any adapter plugs with earthed (grounded) power tools.** Unmodified plugs and matching outlets will reduce risk of electric shock.
5. **Avoid body contact with earthed or grounded surfaces such as pipes, radiators, ranges and refrigerators.** There is an increased risk of electric shock if your body is earthed or grounded.
6. **Do not expose power tools to rain or wet conditions.** Water entering a power tool will increase the risk of electric shock.
7. **Do not abuse the cord. Never use the cord for carrying, pulling or unplugging the power tool. Keep cord away from heat, oil, sharp edges or moving parts.** Damaged or entangled cords increase the risk of electric shock.
8. **When operating a power tool outdoors, use an extension cord suitable for outdoor use.** Use of a cord suitable for outdoor use reduces the risk of electric shock.

9. **If operating a power tool in a damp location is unavoidable, use a ground fault circuit interrupter (GFCI) protected supply.** Use of an GFCI reduces the risk of electric shock.

Personal safety

10. **Stay alert, watch what you are doing and use common sense when operating a power tool. Do not use a power tool while you are tired or under the influence of drugs, alcohol or medication.** A moment of inattention while operating power tools may result in serious personal injury.
11. **Use personal protective equipment. Always wear eye protection.** Protective equipment such as dust mask, non-skid safety shoes, hard hat, or hearing protection used for appropriate conditions will reduce personal injuries.
12. **Prevent unintentional starting. Ensure the switch is in the off-position before connecting to power source and/or battery pack, picking up or carrying the tool.** Carrying power tools with your finger on the switch or energising power tools that have the switch on invites accidents.
13. **Remove any adjusting key or wrench before turning the power tool on.** A wrench or a key left attached to a rotating part of the power tool may result in personal injury.
14. **Do not overreach. Keep proper footing and balance at all times.** This enables better control of the power tool in unexpected situations.
15. **Dress properly. Do not wear loose clothing or jewellery. Keep your hair, clothing, and gloves away from moving parts.** Loose clothes, jewellery or long hair can be caught in moving parts.
16. **If devices are provided for the connection of dust extraction and collection facilities, ensure these are connected and properly used.** Use of dust collection can reduce dust-related hazards.

Power tool use and care

17. **Do not force the power tool. Use the correct power tool for your application.** The correct power tool will do the job better and safer at the rate for which it was designed.
18. **Do not use the power tool if the switch does not turn it on and off.** Any power tool that cannot be controlled with the switch is dangerous and must be repaired.
19. **Disconnect the plug from the power source and/or the battery pack from the power tool before making any adjustments, changing accessories, or storing power tools.** Such preventive safety measures reduce the risk of starting the power tool accidentally.
20. **Store idle power tools out of the reach of children and do not allow persons unfamiliar with the power tool or these instructions to operate the power tool.** Power tools are dangerous in the hands of untrained users.
21. **Maintain power tools. Check for misalignment or binding of moving parts, breakage of parts and any other condition that may affect the power tool's operation. If damaged, have the power tool repaired before use.** Many accidents are caused by poorly maintained power tools.

22. **Keep cutting tools sharp and clean.** Properly maintained cutting tools with sharp cutting edges are less likely to bind and are easier to control.
23. **Use the power tool, accessories and tool bits etc. in accordance with these instructions, taking into account the working conditions and the work to be performed.** Use of the power tool for operations different from those intended could result in a hazardous situation.

Battery tool use and care

24. **Recharge only with the charger specified by the manufacturer.** A charger that is suitable for one type of battery pack may create a risk of fire when used with another battery pack.
25. **Use power tools only with specifically designated battery packs.** Use of any other battery packs may create a risk of injury and fire.
26. **When battery pack is not in use, keep it away from other metal objects, like paper clips, coins, keys, nails, screws or other small metal objects, that can make a connection from one terminal to another.** Shorting the battery terminals together may cause burns or a fire.
27. **Under abusive conditions, liquid may be ejected from the battery; avoid contact. If contact accidentally occurs, flush with water. If liquid contacts eyes, additionally seek medical help.** Liquid ejected from the battery may cause irritation or burns.

Service

28. **Have your power tool serviced by a qualified repair person using only identical replacement parts.** This will ensure that the safety of the power tool is maintained.
29. **Follow instruction for lubricating and changing accessories.**
30. **Keep handles dry, clean and free from oil and grease.**

Cordless vacuum pump safety warnings

1. **The power tool is a machine used to evacuate refrigeration and air conditioning equipment and recovery vessels. Do not use it for other applications.** Doing so may result in accidents.
2. **Always inspect the power tool for oil leaks before use.** Failure to do so may result in fire.
3. **Check the oil level and condition (deterioration, etc.) to enable safe and efficient work.**
4. **Adequate performance may not be obtained in extremely hot or cold environments.**

SAVE THESE INSTRUCTIONS.

⚠WARNING: DO NOT let comfort or familiarity with product (gained from repeated use) replace strict adherence to safety rules for the subject product.

MISUSE or failure to follow the safety rules stated in this instruction manual may cause serious personal injury.

Important safety instructions for battery cartridge

1. Before using battery cartridge, read all instructions and cautionary markings on (1) battery charger, (2) battery, and (3) product using battery.
2. Do not disassemble battery cartridge.
3. If operating time has become excessively shorter, stop operating immediately. It may result in a risk of overheating, possible burns and even an explosion.
4. If electrolyte gets into your eyes, rinse them out with clear water and seek medical attention right away. It may result in loss of your eyesight.
5. Do not short the battery cartridge:
 - (1) Do not touch the terminals with any conductive material.
 - (2) Avoid storing battery cartridge in a container with other metal objects such as nails, coins, etc.
 - (3) Do not expose battery cartridge to water or rain.A battery short can cause a large current flow, overheating, possible burns and even a breakdown.
6. Do not store the tool and battery cartridge in locations where the temperature may reach or exceed 50°C (122°F).
7. Do not incinerate the battery cartridge even if it is severely damaged or is completely worn out. The battery cartridge can explode in a fire.
8. Be careful not to drop or strike battery.
9. Do not use a damaged battery.
10. Follow your local regulations relating to disposal of battery.

SAVE THESE INSTRUCTIONS.

CAUTION: Only use genuine Makita batteries. Use of non-genuine Makita batteries, or batteries that have been altered, may result in the battery bursting causing fires, personal injury and damage. It will also void the Makita warranty for the Makita tool and charger.

Tips for maintaining maximum battery life

1. Charge the battery cartridge before completely discharged. Always stop tool operation and charge the battery cartridge when you notice less tool power.
2. Never recharge a fully charged battery cartridge. Overcharging shortens the battery service life.
3. Charge the battery cartridge with room temperature at 10°C - 40°C (50°F - 104°F). Let a hot battery cartridge cool down before charging it.
4. Charge the battery cartridge if you do not use it for a long period (more than six months).

PARTS DESCRIPTION

► Fig.1:

- | | |
|--------------------------|-----------------|
| 1. Sight glass | 7. Power switch |
| 2. Oil fill/Exhaust cap | 8. LED lamp |
| 3. Intake shut-off valve | 9. Motor |
| 4. Handle | 10. Base |
| 5. Battery holder | 11. Oil tank |
| 6. Battery | 12. Drain plug |

FUNCTIONAL DESCRIPTION

CAUTION: Always be sure that the pump is switched off and the battery cartridge is removed before adjusting or checking function on the pump.

Installing or removing battery cartridge

CAUTION: Always switch off the pump before installing or removing of the battery cartridge.

CAUTION: Hold the pump and the battery cartridge firmly when installing or removing battery cartridge. Failure to hold the pump and the battery cartridge firmly may cause them to slip off your hands and result in damage to the pump and battery cartridge and a personal injury.

► Fig.2:

- | | |
|------------------|----------------------|
| 1. Red indicator | 3. Battery cartridge |
| 2. Button | |

To remove the battery cartridge, slide it from the pump while sliding the button on the front of the cartridge.

To install the battery cartridge, align the tongue on the battery cartridge with the groove in the housing and slip it into place. Insert it all the way until it locks in place with a little click. If you can see the red indicator on the upper side of the button, it is not locked completely.

CAUTION: Always install the battery cartridge fully until the red indicator cannot be seen. If not, it may accidentally fall out of the pump, causing injury to you or someone around you.

CAUTION: Do not install the battery cartridge forcibly. If the cartridge does not slide in easily, it is not being inserted correctly.

Battery protection system

► Fig.3:

1. Star marking

The pump is equipped with a battery protection system. This system automatically cuts off power to the motor to extend battery life.

The pump will automatically stop during operation if the pump and/or battery are placed under one of the following conditions:

Overloaded:

The pump is operated in a manner that causes it to draw an abnormally high current.

In this situation, turn the pump off and stop the application that caused the pump to become overloaded. Then turn the pump on to restart.

If the pump does not start, the battery is overheated.

In this situation, let the battery cool before turning the pump on again.

Low battery voltage:

The remaining battery capacity is too low and the pump will not operate. In this situation, remove and recharge the battery.

NOTE: The overheat protection works only with a battery cartridge with a star marking.

Indicating the remaining battery capacity

Only for battery cartridges with "B" at the end of the model number

► Fig.4:

1. Indicator lamps 2. Check button

Press the check button on the battery cartridge to indicate the remaining battery capacity. The indicator lamps light up for few seconds.

Indicator lamps			Remaining capacity
Lighted	Off	Blinking	
■ ■ ■ ■ ■			75% to 100%
■ ■ ■ ■ □			50% to 75%
■ ■ □ □			25% to 50%
■ □ □ □			0% to 25%
▬ □ □ □			Charge the battery.
■ ■ □ □	↑ ↓	■ ■	The battery may have malfunctioned.

NOTE: Depending on the conditions of use and the ambient temperature, the indication may differ slightly from the actual capacity.

OPERATION

The pump does not contain oil when newly purchased. Refer to "Adding oil" and add oil.

⚠ WARNING: Operating the pump in the condition without oil added will damage the pump. In addition, the oil tank will become hot and may result in burns or other accidents.

Adding oil

► Fig.5:

1. Oil fill/Exhaust cap
2. Level line
3. Sight glass
4. Oil tank

1. Remove the oil fill/exhaust cap and add the supplied oil via the filler port.

NOTICE: Always use Makita genuine oil in order to maintain pump performance.

2. Add oil until the oil level is between the upper and lower level lines of the sight glass.

NOTICE: The oil level is important. Operating the pump in the condition with the oil level not between the upper and lower level lines may result in malfunction.

Checking performance

► Fig.6:

1. Intake
2. Low side valve
3. Vacuum pump
4. Manifold

1. Connect the low side valve of the manifold and the intake port of the pump with a charging hose.
2. Close the low side valve of the manifold.
3. Open the intake shut-off valve.
4. Open the inlet valve.
5. Turn the pump on. If the pressure of the manifold indicates a vacuum of -0.09 to -0.1 MPa within 30 seconds, the pump is operating properly.
6. Turn the pump off.

Operation

► Fig.7:

1. Vacuum pump
2. Intake shut-off valve
3. Charging hose (yellow)
4. Manifold
5. Low side valve
6. Low pressure gauge
7. High side valve
8. Charging hose (blue)
9. Service port (Low pressure side)
10. Outdoor unit

1. Connect the pump, manifold and outdoor unit with hoses.

NOTE: When the size of the service port on the unit is 1/4", use the supplied different diameter adapter.

2. Check that the high side and low side valves of the manifold are closed.
3. Install the battery to the pump. (See "Installing or removing battery cartridge" for the installation method.)

- Turn the pump on. The LED lamp (green) lights up.
- Open the intake shut-off valve of the pump and the low side valve of the manifold.

⚠WARNING: The pump becomes hot during operation and immediately after stopping. Do not touch the pump while it is hot. Doing so may result in burns or other accidents.

NOTE: The motor may not operate when it is cold (5°C or less). In these cases, bring the pump indoors and allow it to warm up.

- When the specified vacuum (refer to the manual provided by the air conditioner manufacturer) is reached, close the low side valve of the manifold.
- Close the intake shut-off valve and turn the pump off.

Airtightness test

There are no leaks if the pressure of the manifold does not rise for 5 minutes or more after leaving the pump and manifold.

NOTE: When the battery remaining capacity becomes low, LED lamp goes out and at the same time a long alarm beep start sounding. About two minutes later the motor stops. And then alarm beep changes into a repeated short-time interval beeping which notifies the motor stop and 30 seconds later the beeping stops. However, do not wait until the motor stops (or alarm beep changes to a short-time beeping), and instead close the inlet valve of the tool and the low pressure side valve of manifold.

Check that the pump is turned off, remove the battery, and charge it or replace it with a spare battery.

- Refer to the following table for the battery operation times.

Operation times (guideline)

Battery	Operation times
BL1860B	75 min
BL1850 / BL1850B	50 min
BL1840 / BL1840B	40 min
BL1830 / BL1830B	30 min

- After finishing work, remove the battery and attach the supplied cover.

NOTICE: When transporting, operating and storing the tool, never place it on its side or upside down. This may cause oil leakage from the oil filler/vent cap.

MAINTENANCE

⚠CAUTION: Always be sure that the pump is switched off and the battery cartridge is removed before attempting to perform inspection or maintenance.

NOTICE: Never use gasoline, benzine, thinner, alcohol or the like. Discoloration, deformation or cracks may result.

To maintain product SAFETY and RELIABILITY, repairs, any other maintenance or adjustment should be performed by Makita Authorized or Factory Service Centers, always using Makita replacement parts.

Checking the oil

► Fig.8:

- Level line
 - Sight glass
- Always check the oil level and condition (deterioration, etc.) before using the pump.

NOTE: Add oil until the oil level is between the upper and lower level lines of the sight glass.

Replacing the oil

► Fig.9:

- Intake shut-off valve
 - Drain plug
- Open the intake shut-off valve.
 - Operate the pump for 1 or 2 minutes to warm up the oil.
 - Turn the pump off.
 - Remove the drain plug and drain the oil.
 - Refer to "Adding oil" and add new oil.
- Dispose of the old oil in accordance with local regulations.

NOTE: It is recommended to change the oil after 20 hours of usage to protect pump components from contaminants pulled into the pump.

When vacuuming on old refrigeration systems, change the oil after every usage.

Cleaning the pump

- When the oil is extremely dirty, replace the oil and then operate the pump for 3 to 5 minutes.
- Drain the oil and add new oil.
If the drained oil is still dirty, repeat this cleaning process two or three times.

OPTIONAL ACCESSORIES

⚠CAUTION: These accessories or attachments are recommended for use with your Makita tool specified in this manual. The use of any other accessories or attachments might present a risk of injury to persons. Only use accessory or attachment for its stated purpose.

If you need any assistance for more details regarding these accessories, ask your local Makita Service Center.

- Makita genuine batteries and chargers
- Vacuum pump oil 150 ml
- Vacuum pump aluminum case
- Vacuum pump hose
- Vacuum pump valve with gauge

NOTE: Some items in the list may be included in the tool package as standard accessories. They may differ from country to country.

目录	页码
规格.....	10
一般电动工具安全性警告.....	11
充电式真空泵安全警告.....	12
关于电池的重要安全说明.....	12
部件描述.....	12
功能描述.....	13
操作.....	14
维护.....	15
选购附件.....	15

规格

机型：	DVP180
电池（容量）	BL1860B (6.0 Ah) BL1850 / BL1850B (5.0 Ah) BL1840 / BL1840B (4.0 Ah) BL1830 / BL1830B (3.0 Ah)
额定电压	D.C. 18 V
泵	单阶段旋转泵
自由排气能力	50 L/min
最高真空压	20 Pa
油容量	100 - 115 ml
进气口	5/16" 扩口公
尺寸	263 mm (长) × 93 mm (宽) × 172 mm (高)
净重（带BL1850电池）	3.5 kg

- 由于我们的持续研发计划，这里的规格如有变更，恕不另行通知。
- 规格和电池可能因国家而异。
- 按EPTA-Procedure 01/2003，带电池的重量

符号

以下显示用于该装置的符号。
使用之前，确保您理解它们的含义。



- 阅读使用说明书。



- 警告：表面烫！
不要接触此符号周围。
接触表面可能造成烫伤或
受伤。



- 仅对于欧盟国家
请勿与家庭废弃物一起废弃电
气设备或电池！
根据欧洲关于废电气和电子设
备和电池、蓄电池、废电池及
废蓄电池及其按照国家法律实
施的指令，必须将达到使用寿
命的电气设备和电池和电池组
分开收集并返还到环保的回收
设施。

一般电动工具安全性警告

▲警告：请阅读所有安全性警告和所有指南。不遵从这些警告和指南可能导致触电、火灾和/或严重人身伤害。

请保管所有警告和指南以备日后参照。

警告中的术语“电动工具”是指使用市电（带电线）的电动工具或使用电池（不带电线）的电动工具。

作业区域安全

1. 保持作业区域干净明亮。零乱或黑暗区域易发生事故。
2. 不要在会引起爆炸的环境中使用电动工具，例如在有易燃液体、气体或粉尘的环境中。电动工具会产生火花，从而可能点燃粉尘或气体。
3. 使用电动工具中，不要让小孩和旁观者靠近。分散注意力会让您失去控制。

电气安全

4. 电动工具插头必须与插座匹配。切勿以任何方式修改插头。请勿使用任何适配器插头于接地的电动工具。未经改造的插头和匹配的插座可减少触电危险。
5. 避免身体接触接地的表面，例如管道、热交换器、电炉灶和电冰箱等。如果您的身体接地，会增加触电的危险。
6. 请勿让电动工具暴露于雨水或潮湿的环境下。电动工具进水会增加触电的危险。
7. 不要拉扯电线。切勿抓住电线携带、牵引或拔掉电动工具。不要让电线靠近发热、有油、有尖锐边缘或移动的部件。电线受损或缠绕会增加触电的危险。
8. 当在户外使用电动工具时，请使用适合户外使用的延长电线。使用适合户外使用的电线会减少触电的危险。
9. 如果不能避免在潮湿的地方使用电动工具，请使用有接地故障断路器（GFCI）保护的电源。使用GFCI可减少触电的危险。

人身安全

10. 使用电动工具时，请保持警觉，留意您的所做并使用常识。在您劳累或受药物、酒精影响之时，请勿使用电动工具。使用电动工具中一不留神就可能造成严重的人身伤害。

11. 请使用个人防护装备。始终戴上护目镜。适当地使用防尘罩、防滑安全靴、硬帽或护耳等保护装备可减少人身伤害。
12. 防止意外启动。在连接电源和/或电池、拿起或携带工具时，确保开关处在关的位置。将手指放在开关上携带电动工具或将开关开着的电动工具上电会引发事故。
13. 在启动电动工具之前，请移除任何调节钥匙或扳手。让扳手或钥匙留在电动工具旋转部件上可能导致人身伤害。
14. 不要过度伸出。任何时候都要保持站稳和平衡。这样可在意外的情况下更好地控制电动工具。
15. 合适着装。不要穿松大的衣服或戴首饰。不要让您的头发、衣服和手套接近活动部件。松大的衣服、首饰或长发会挂上活动部件。
16. 如果装置配有吸尘和收集设施，确保连接它们并正确使用。使用集尘器可减少与灰尘相关的危害。

电动工具的使用和保养

17. 不要对电动工具施压过度。使用适合您用途的正确电动工具。正确的电动工具可以按其设计的功率更好更安全地工作。
18. 如果开关不能开启和关闭，请勿使用电动工具。任何不能用开关控制的电动工具都很危险，必须修理。
19. 在进行任何调节、更换附件或存放电动工具之前，请拔下电动工具电源插头和/或取出电池。这种预防性安全措施可减少意外启动电动工具的危险。
20. 将不用的电动工具存放在小孩不能拿到的地方，并且不能让不熟悉电动工具或这些指南的人操作电动工具。未经训练的用户使用电动工具很危险。
21. 保养电动工具。检查活动部件是否对正或咬合，活动部件是否损坏或有任何其他情况，它们可能影响电动工具运转。如果损坏，使用之前请修理电动工具。许多事故是因电动工具保养不当而造成的。
22. 保持切割工具锋利和干净。正确保养的带锋利边缘的切割工具较少会粘合，并且较容易控制。
23. 请按照这些指南，考虑作业条件和要进行的作业来使用电动工具、附件和工具批头等。将电动工具用于意图之外的作业可能会构成隐患。

电池工具的使用和保养

24. 请务必用厂商规定的充电器充电。适用某种电池的充电器在用于另一种电池时可能会产生火灾的危险。
25. 电动工具要使用专用的电池。使用任何其他电池可能造成受伤和火灾危险。
26. 不使用电池时，将其远离会连接两个端子的其他金属物件，例如回形针、硬币、钥匙、铁钉、螺丝或其他小金属物件。电池端子短路可能造成烫伤或火灾。
27. 在滥用的情况下，电池可能会冒出液体；请避免接触。如果发生意外接触，请用水冲洗。如果液体接触眼睛，还需就医。从电池冒出的液体可能会造成过敏或烫伤。

维修

28. 请让有资格的维修人员仅使用相同的更换部件来维修您的电动工具。这可确保电动工具的安全性得到维护。
29. 请遵循指南进行润滑和更换附件。
30. 保持手柄干净、没有油脂。

充电式真空泵安全警告

1. 此电动工具是用于排空冰箱和空调及回收器的机器。请勿将其用于其他用途。这样做可能导致故障。
2. 使用之前务必检查电动工具是否漏油。否则可能造成火灾。
3. 检查油位和状况（变质等）以便安全有效地工作。
4. 在极端冷热的环境中可能无法获得充分性能。

保管好这些指南。

▲警告：不要让舒适或熟悉产品（重复使用中获得）代替严格遵守该产品的安全规定。

误用或不遵守本使用说明书中的安全规定可能会导致严重人身伤害。

关于电池的重要安全说明

1. 在使用电池之前，请阅读（1）电池充电器、（2）电池和（3）使用电池的产品上的所有指南和注意标记。
2. 不要拆解电池。

3. 如果使用时间变得过短，请立即停止使用。这可能产生过热、燃烧甚至爆炸的危险。
4. 如果电解液进入眼睛，用清水冲洗掉，并立即就医。这可能导致失明。
5. 不要使电池短路：
 - （1）不要用任何导电材料接触端子。
 - （2）避免将电池与铁钉、硬币等其他金属物件放在一个容器中。
 - （3）不要让电池暴露在雨水中。电池短路会产生大电流、过热、可能导致燃烧甚至毁坏。
6. 不要将工具和电池存放在温度会达到或超过50°C的地方。
7. 即使电池严重损坏或完全报废，也不要焚烧电池。电池在火中会爆炸。
8. 小心不要掉落或敲击电池。
9. 不要使用损坏的电池。
10. 遵循与电池废弃有关的本地规定。

保管好这些指南。

▲注意：请只使用正宗Makita电池。使用非正宗Makita电池或改造过的电池可能导致电池爆炸，造成火灾、人身伤害和损坏。它还将使Makita工具和充电器的保修失效。

保持最长电池寿命的要诀

1. 在电池完全放电之前充电。当您注意到工具电力不足时，务必停止工具运转并给电池充电。
2. 切勿给完全充电的电池再充电。充电过度会缩短电池使用寿命。
3. 在10°C - 40°C室温下给电池充电。在发烫的电池充电之前，先让其冷却。
4. 如果您长期不使用电池（超过六个月），请给电池充电。

部件描述

► 图1:

- | | |
|----------|---------|
| 1. 观察窗 | 7. 电源开关 |
| 2. 加/排油盖 | 8. LED灯 |
| 3. 进气关闭阀 | 9. 马达 |
| 4. 手柄 | 10. 底座 |
| 5. 电池架 | 11. 油箱 |
| 6. 电池 | 12. 排油塞 |

功能描述

▲注意：在调节或检查泵功能时，确保关闭泵并且卸下电池。

安装或卸载电池

▲注意：在安装或卸下电池之前，务必关闭泵。

▲注意：当安装或卸下电池时，请抓紧泵和电池。不抓紧泵和电池可能导致其从手中脱落，造成泵和电池损坏和人身伤害。

► 图2:

1. 红色指示
2. 按钮
3. 电池

要卸下电池，请在滑动电池前面按钮的同时从泵滑动电池。

要安装电池，将电池上的舌与壳体中的沟对齐并将其滑入到位。请将其插入到底，直至听到轻微咔嚓声。如果您可以看到按钮上方的红色指示，则没有完全锁定。

▲注意：务必完全装入电池直到红色指示看不到。否则，它可能意外从泵脱落，造成您或您周围的人受伤。

▲注意：不要用力安装电池。如果不能轻易地滑入电池，则插入方式不正确。

电池保护系统

► 图3:

1. 星号

泵配置了电池保护系统。此系统会自动切断到马达的电源以延长电池使用寿命。

如果泵和/或电池置于是以下情形之一，则泵在操作中将自动停止。

过负荷：

泵的运转方式导致其抽取异常大的电流。在此情形下，关闭泵并且停止造成泵过负荷的应用。然后开启泵以重启。

如果泵不能启动，则电池过热。

在此情况下，请先让电池冷却再重新开启泵。

电池电压低：

剩余电池容量太低，泵不能运转。在此情况下，请卸下电池并给其充电。

注解：过热保护仅对于有星号的电池起作用。

指示电池剩余电量

仅对于型号末尾带“B”的电池

► 图4:

1. 指示灯
2. 检查按钮

按下电池上的检查按钮以显示电池剩余容量。指示灯点亮几秒钟。

指示灯			剩余电量
■ 点亮	□ 熄灭	▣ 闪烁	
■	■	■	75% 至 100%
■	■	□	50% 至 75%
■	□	□	25% 至 50%
■	□	□	0% 至 25%
▣	□	□	给电池充电。
■	■	□	电池可能有故障。
□	□	■	

注解：取决于使用情况和环境温度，指示可能与实际电量稍有不同。

操作

新买时，泵不含油。
请参见“加油”并加油。

▲警告：在没有加油的情况下运转泵会损坏泵。此外，油箱也会变烫，可能导致烫伤或其他事故。

加油

► 图5：

1. 加/排油盖
2. 水平线
3. 观察窗
4. 油箱

1. 卸下加/排油盖并通过加油口加油。

注意：为保持泵的性能，请始终使用Makita正宗油。

2. 加油直到油位处在观察窗的上下水平线之间。

注意：油位很重要。油位不在上下水平线之间的情况下运转泵可能导致故障。

检查性能

► 图6：

1. 进气口
2. 低侧阀
3. 真空泵
4. 歧管

1. 用充气软管连接歧管的低侧阀与泵的进气口。
2. 关闭歧管的低侧阀。
3. 打开进气关闭阀。
4. 打开进气阀。
5. 开启泵。如果在30秒内歧管的压力指示-0.09至-0.1 MPa的空压，则泵运转正常。
6. 关闭泵。

操作

► 图7：

1. 真空泵
2. 进气关闭阀
3. 充气软管（黄色）
4. 歧管（低压侧）
5. 低侧阀
6. 低压量具
7. 高侧阀
8. 充气软管（蓝色）
9. 服务口
10. 室外机

1. 用软管连接泵、歧管和室外机。

注解：当室外机上服务口的尺寸是1/4"时，请使用附带的不同直径适配器。

2. 确认歧管的高侧和低侧阀已关闭。
3. 将电池装到泵上。（安装方法参见“安装或卸载电池”。）
4. 开启泵。LED灯（绿色）亮起。
5. 打开泵的进气关闭阀和歧管的低侧阀。

▲警告：运转中和在刚停止时泵会很烫。在泵烫时请不要接触它。否则可能造成烫伤或其他事故。

注解：在寒冷时（5°C以下）马达可能不运转。在此情况下，将泵带到室内让其变暖。

6. 当达到指定的空压时（参见空调厂商提供的手册），关闭歧管的低侧阀。
7. 关闭进气关闭阀并且关闭泵。

气密性检测

如果在留置泵和歧管之后歧管的压力在5分钟以上不会上升，则没有漏气。

注解：当电池剩余容量变低时，LED灯熄灭，同时开始发出长警报声音。大约2分钟之后，马达停止。然后警报声音变为重复的短间隔声音，它通知马达停止，30秒钟之后声音停止。但是，不要等到马达停止（或警报声音变为短声音），应即刻关闭工具的进气阀和歧管的低侧阀。

确认泵已关闭，卸下电池，并给其充电或换上备用电池。

- 有关电池工作时间，请参见下表。

工作时间（指导）

电池	工作时间
BL1860B	75 min
BL1850 / BL1850B	50 min
BL1840 / BL1840B	40 min
BL1830 / BL1830B	30 min

- 完成作业之后，请卸下电池并安上附带的盖子。

注意：在运输、操作和存储工具时，切勿侧着或倒着放置它。否则可能从加/排油盖漏油。

维护

▲注意：在尝试进行检查或维护之前，确保关闭泵并且卸下电池。

注意：切勿使用汽油、挥发油、稀释剂、酒精或类似品。否则可能导致变色、变形或开裂。

为维持产品安全和可靠性，维修、任何其他维护或调整都应由Makita授权或工厂维修中心进行，始终使用Makita更换部件。

检查油

► 图8：

1. 水平线
 2. 观察窗
- 在使用泵之前，始终检查油量和状况（变质等）。

注解：加油直到油位处在观察窗的上下水平线之间。

更换油

► 图9：

1. 进气关闭阀
 2. 排油塞
1. 打开进气关闭阀。
 2. 运转泵1或2分钟以使油变热。
 3. 关闭泵。
 4. 卸下排油塞并排掉油。
 5. 参见“加油”并添加新油。
- 请按照地方规定处置废油。

注解：在使用20小时之后建议换油，以保护泵组件免受吸入泵中污染物的危害。当抽空旧制冷系统时，每次使用之后换油。

清洁泵

1. 当油很脏时，请换油然后运转泵3至5分钟。
2. 排掉油并添加新油。
如果排掉的油仍然脏，请重复此清洁过程二或三次。

选购附件

▲注意：建议将这些配件或附件用于本说明书中指定的Makita工具。使用任何其他配件或附件可能会构成人身伤害危险。仅将配件或附件用于其规定的用途。

如果您对这些附件需要更多信息帮助，请咨询您本地Makita维修中心。

- Makita正宗电池和充电器
- 真空泵油 150 ml
- 真空泵铝壳
- 真空泵软管
- 带量具的真空泵阀

注解：清单中的某些东西可能作为标准配件包含在工具包中。它们可能因国家而异。

規格

型號：	DVP180
電池盒（容量）	BL1860B (6.0 Ah) BL1850 / BL1850B (5.0 Ah) BL1840 / BL1840B (4.0 Ah) BL1830 / BL1830B (3.0 Ah)
額定電壓	D.C. 18 V
幫浦	單級旋轉幫浦
自由排氣量	50 L/min
終極真空	20 Pa
機油容量	100 - 115 ml
進氣	5/16" 擴口外牙接頭
尺寸	263 mm（長）×93 mm（寬）×172 mm（高）
淨重（含BL1850電池）	3.5 kg

- 由於我們的持續研發計畫，此處的規格可能變更而不事先通知。
- 規格與電池盒可能會因國家而異。
- 根據01/2003 EPTA程序計算含電池盒的重量

符號

底下是設備所使用的符號。
使用前務必要瞭解其意義。



- 閱讀使用說明書。



- 警告：高溫！
請勿觸摸此符號周邊。
觸摸表面可能會造成燙傷或受傷。



- 僅適用於歐盟國家
請勿將電氣設備或電池組與家庭廢棄物一起處理！

根據歐洲法令關於廢棄電氣與電子設備、電池與蓄電池以及廢棄電池與蓄電池的規定及其在各國法律中的實際規定，使用壽命已經結束的電氣設備與電池以及電池組必須分別收集起來並轉送至環保回收機構。

通用的電動工具安全警告

警告：請閱讀所有安全警告與所有說明。不遵守警告與說明可能會造成觸電、火災和/或嚴重的傷害。

請保留所有警告與說明以便將來參考。

警告中的“電動工具”一詞是指以交流電操作（有電線）的電動工具或者以電池供電的（無電線）電動工具。

工作區域的安全

1. 工作區域要保持整潔與明亮。擁擠或陰暗的區域容易產生意外。
2. 請勿在有易燃液體、氣體或灰塵之類的爆炸性環境中操作電動工具。電動工具所產生的火花可能會點燃灰塵或氣體。
3. 操作電動工具時，要讓孩子與旁觀者保持距離。心不在焉可能會讓您失控。

電氣的安全

4. 電動工具插頭必須與電源插座相合。切勿以任何方式修改插頭。請勿將任何轉接插頭用於有接地的電動工具。不修改插頭並使用相合的電源插座可以減少觸電的風險。
5. 身體要避免接觸有接地的表面，例如管道、散熱器、爐灶以及冰箱。如果您的身體有接地，會增加觸電的風險。
6. 請勿讓電動工具暴露於雨中或潮濕的環境中。水進入電動工具中會增加觸電的風險。
7. 請不要濫用電纜線。切勿以拉扯電纜線的方式攜帶電動工具或者為其拔掉插頭。電纜線要遠離熱、油、尖銳的邊緣或移動中的零組件。受損或纏繞住的電纜線會增加觸電的危險。
8. 在戶外操作電動工具時，要使用適合用於戶外的延長線。使用適合用於戶外的延長線可以降低觸電的風險。
9. 如果無法避免在潮濕的場所操作電動工具，請使用接地故障電路斷路器（GFCI）保護電源。使用GFCI可以降低觸電的危險。

人員的安全

10. 操作電動工具時要保持警覺，注意您正在做的事情，並運用常識。不要在疲倦或在毒品、酒精或藥物的影響下使用電動工具。操作電動工具時的片刻疏忽可能會造成嚴重的人員傷害。
11. 使用個人防護設備。務必要配戴護眼設備。用於適當情況的防護設備如防塵面罩、防滑安全鞋、頭盔或聽力防護設備可以減少人員的傷害。
12. 防止意外的啟動。連接電源和/或電池之前、拿起或攜帶工具之前要確認開關是在關閉的位置。攜帶電動工具時手指放在開關上，或者為開關已經開啟的電動工具供電，可能會招來意外。
13. 打開電動工具的開關之前，要取下所有調整鍵或扳手。留在電力工具轉動零組件上的調整鍵或扳手可能會造成人員傷害。
14. 不要勉強接近構不著的地方。要隨時保持腳步的穩定與平衡。這樣可以在意外情況出現時更好地控制電動工具。
15. 衣著要適當。不要穿著寬鬆的衣物或珠寶。頭髮、衣物及手套都要遠離移動中的零組件。寬鬆的衣物、珠寶或長髮可能會捲入移動中的零組件中。
16. 如果有提供除塵與集塵的連接裝置，務必要連接與正確地使用這些裝置。使用集塵裝置可以減少與灰塵有關的風險。

電動工具的使用與保養

17. 不要勉強使用電動工具。請針對您的用途使用正確的電動工具。正確的電動工具能以其設計等級更好更安全地完成工作。
18. 如果開關無法開啟或關閉，請勿使用電動工具。任何無法以開關控制的電動工具都很危險，必須接受修理。
19. 進行任何調整、更換配件或存放電動工具之前，都要將插頭從電源拔掉與/或從電動工具取出電池。這種預防性的安全措施可以減少意外啟動電動工具的風險。
20. 暫時不用的電動工具不要讓孩童接觸到，而且不要讓不熟悉電動工具或這些使用說明的人操作電動工具。電動工具在未經訓練的使用者手中很危險。
21. 保養電動工具。檢查轉動的零組件是否有沒對齊或卡住的情形、零組件有沒有破損以及是否有任何其他可能會影響電動工具操作的情況。如果有損壞，要在使用之前修復電動工具。很多意外都是因為維修保養不良的電動工具造成的。
22. 切割工具要保持銳利與乾淨。保養良好有銳利切割邊緣的切割工具比較不會卡住，比較好控制。
23. 請按照這些使用說明使用電動工具、配件以及刀頭等等，同時也要考慮到工作條件以及要執行的工作。將電動工具用於指定用途以外的作業可能會造成危險情況。

電池工具的使用與保養

24. 只能用廠商指定的充電器充電。適合某種電池盒使用的充電器可能會在用於另一種電池盒時造成起火的風險。
25. 電動工具只能以專門指定的電池盒使用。使用任何其他電池盒都可能有受傷與起火的危險。
26. 電池盒沒在使用時，要遠離其他金屬物體，例如迴紋針、硬幣、鑰匙、釘子、螺絲釘或其他可能會接觸兩個端子的小型金屬物體。讓電池端子短路可能會造成燙傷或起火。

27. 在濫用的情況下，可能會有液體從電池噴出來，請避免接觸。如果發生意外接觸的情況，請用清水沖洗。如果液體接觸到眼睛，還要尋求醫療協助。從電池噴出的液體可能會造成搔癢或燙傷。

維修

28. 請讓合格的修護人員修理您的電動工具，而且只能使用一樣的可更換零組件。這樣可以確保電動工具的安全。
29. 請按照指示潤滑與更換配件。
30. 把手要保持乾燥、乾淨而且沒有油脂。

充電式真空幫浦安全警告

1. 此電動工具是一種用來排空冷藏與空調設備並恢復船舶的機器。請勿將其用於其他用途。這樣做可能會造成意外。
2. 使用之前務必檢查電動工具是否有漏油。否則可能會造成火災。
3. 請檢查機油液面與狀態（劣化等等），以便安全而且有效率的工作。
4. 在極端炎熱或寒冷的環境中，可能無法達到適當的效能。

請保存這些使用說明。

▲警告：切勿讓對於產品的運用自如與熟悉（得自重複的使用）取代對於該產品安全規則的嚴格遵守。誤用或未能遵守本使用說明書中陳述的安全規則可能會造成嚴重的人員傷害。

重要的電池盒安全警告

1. 使用電池盒之前，請閱讀關於（1）電池充電器（2）電池以及（3）使用電池的產品的所有說明與警告標示。
2. 請勿拆解電池盒。
3. 如果使用時間變短非常多，請立即停止使用。這種情況可能會造成過熱、燙傷甚至爆炸。
4. 如果電解液跑進眼睛裡，請用清水將其沖洗出來，並立即就醫。這種情況可能會造成失明。
5. 請勿讓電池盒短路：
 - （1）請勿以任何導電材料接觸端子。
 - （2）避免將電池盒存放在有其他金屬物體如釘子、硬幣等的容器中。
 - （3）請勿讓電池盒暴露於水中或雨中。電池短路可能會造成大電流、過熱、燙傷甚至故障。
6. 請勿將工具與電池盒存放在溫度可能達到或超過50°C的地方。
7. 即使電池盒已經嚴重損壞或者完全損耗了，也不要加以焚燒。電池盒可能會在火中爆炸。
8. 小心不要掉落或撞擊電池。
9. 請勿使用受損的電池。
10. 請遵守您當地關於廢棄電池的規定。

請保存這些使用說明。

▲注意：只能使用Makita的原廠電池。使用非Makita原廠電池或者經過修改的電池，可能會導致電池爆裂，造成起火、人員受傷以及損壞。也會使得Makita對於Makita工具與充電器的保固失效。

讓電池維持最長壽命的秘訣

1. 在完全放完電之前就為電池盒充電。注意到工具比較沒力時，一定要停止使用工具並為電池盒充電。
2. 切勿為已經充滿電的電池盒充電。過度充電會縮短電池的使用壽命。
3. 請在室溫為10°C—40°C時為電池盒充電。溫熱的電池盒要冷卻之後才可以充電。
4. 如果很長時間不使用電池盒（超過六個月），要為電池盒充電。

零件說明

► 圖1:

- | | |
|-----------|---------|
| 1. 觀看玻璃 | 7. 電源開關 |
| 2. 加油/排油蓋 | 8. LED燈 |
| 3. 進氣關閉閥 | 9. 馬達 |
| 4. 把手 | 10. 底座 |
| 5. 電池固定器 | 11. 油箱 |
| 6. 電池 | 12. 排油栓 |

功能說明

▲注意：調整或檢查幫浦的功能之前，務必確認幫浦的開關已經關閉，而且電池盒已經取下來。

安裝或卸除電池盒

▲注意：安裝或卸除電池盒之前，務必要關閉幫浦的開關。

▲注意：安裝或卸除電池盒時，要緊握住幫浦與電池盒。如果沒有緊握住幫浦與電池盒，可能會讓它們從您手中滑脫，而造成對幫浦與電池盒的損壞以及對個人的傷害。

► 圖2:

1. 紅色指示器
2. 按鈕
3. 電池盒

若要卸除電池盒，推動電池盒前方按鈕同時將其從幫浦上推出來。

若要安裝電池盒，請將電池盒上的舌片與電池槽中的溝槽對齊，然後將其推入定位。插入時一定要完全插到底，直到發出一聲微小的喀噠聲鎖入定位為止。如果可以看到按鈕上方的紅色指示器，就表示沒有完全鎖定。

▲注意：請將電池盒完全裝入到看不到紅色指示器為止。否則電池盒可能會從幫浦中意外掉出來，而對您或您旁邊的人造成傷害。

▲注意：請勿勉強安裝電池盒。如果電池盒不能輕鬆地推入，就表示插入方式不正確。

電池保護系統

► 圖3:

1. 星形標記

幫浦配備有電池保護系統。這個系統會自動切斷馬達的電源以延長電池壽命。

如果幫浦與/或電池處於下列一種情況下，操作中的幫浦會自動停止：

過載：

幫浦操作的方式令其抽取異常高的電流。

在這種情況下，請關閉幫浦，並停止令幫浦過載的使用方式。然後打開幫浦重新啟動。

如果幫浦不能啟動表示電池過熱。

在這種情況下，讓電池冷卻之後再打開幫浦。

電池電量低：

電池剩餘電量太低，幫浦無法操作。在這種情況下，取出電池來充電。

附註：過熱保護只能在有星形標記的電池盒上生效。

顯示電池剩餘電量

僅限於型號末端有“B”的電池盒

► 圖4:

1. 指示燈
2. 檢查按鈕

按電池盒上的檢查按鈕以顯示剩餘的電池電量。指示燈會點亮幾秒鐘。

指示燈			剩餘電量
點亮	熄滅	閃爍	
			75% 至 100%
			50% 至 75%
			25% 至 50%
			0% 至 25%
			為電池充電。
			電池可能故障了。

附註：指示可能會與實際的容量有些微差異，這點要視使用情況與周邊溫度而定。

操作

幫浦新購入時沒有油。
請參考“加油”並加油。

▲警告：在沒有加油的情況下操作幫浦會損壞幫浦。
此外，油箱會變熱而可能造成燙傷或其他意外。

加油

► 圖5：

1. 加油/排油蓋
2. 液面線
3. 觀看玻璃
4. 油箱

1. 取下加油/排油蓋，將隨附的油透過加油口加進去。

注意：務必使用Makita原廠機油以保持幫浦的效能。

2. 將油加入到液面介於觀看玻璃的上下液面線之間。

注意：機油液面很重要。在機油液面線不是介於上下液面線之間時操作幫浦可能會造成故障。

檢查效能

► 圖6：

1. 進氣
2. 低壓端閥門
3. 真空幫浦
4. 歧管壓力表

1. 用充氣軟管連接歧管壓力表的低壓端閥門與幫浦的進氣口。

2. 關閉歧管壓力表的低壓端閥門。

3. 打開進氣關閉閥。

4. 打開進氣閥。

5. 打開幫浦。如果歧管壓力表的壓力在30秒鐘內顯示的真空為-0.09至-0.1 MPa，表示幫浦運作正常。

6. 關閉幫浦。

操作

► 圖7：

1. 真空幫浦
2. 進氣關閉閥
3. 充氣軟管（黃色）
4. 歧管壓力表
5. 低壓端閥門
6. 低壓計
7. 高壓端閥門
8. 充氣軟管（藍色）
9. 維修口（低壓端）
10. 室外機

1. 用軟管連接幫浦、歧管壓力表與室外機。

附註：機組上的維修口尺寸為1/4"時，請使用隨附的不同直徑轉接器。

2. 確認歧管壓力表的高壓端與低壓端閥門都已經關閉。

3. 將電池裝入幫浦。（安裝方法請參閱“安裝或卸除電池盒”。）

4. 打開幫浦。LED燈（綠色）點亮。

5. 打開幫浦的進氣關閉閥和歧管壓力表的低壓端閥門。

▲警告：幫浦在操作中以及剛停止後會變得很燙。請勿在幫浦很熱時觸摸它。這樣做可能會造成燙傷或其他意外。

附註：馬達在寒冷（5°C或者更低）時可能無法操作。遇到這種情況時，請將幫浦帶入室內讓其變暖。

6. 達到指定的真空狀態（請參考空調廠商提供的手冊）時，關閉歧管壓力表的低壓端閥門。
7. 關閉進氣關閉閥並打開幫浦。

氣密測試

如果在離開幫浦與歧管壓力表5分鐘或更長時間之後，歧管壓力表的氣壓沒有上升，就表示沒有漏氣。

附註：電池剩餘電量變得很低時，LED指示燈會熄滅，同時會發出一長聲警告。大約兩分鐘之後，馬達會停止。然後警告聲會變成短促的嗶嗶聲，這表示馬達要停止了，嗶嗶聲會在30秒鐘之後停止。不過，請不要等到馬達停止（或者警告聲變成短促的嗶嗶聲），而是要關閉工具的進氣閥與歧管壓力表的低壓端閥門。

確認幫浦已經關閉，取出電池來充電，或者用備用電池替換。

- 關於電池的使用時間，請參考下表。

操作時間（原則上）

電池	操作時間
BL1860B	75 min
BL1850 / BL1850B	50 min
BL1840 / BL1840B	40 min
BL1830 / BL1830B	30 min

- 完成工作之後，取出電池並裝上隨附的蓋子。

注意：運送、操作或存放工具時，切勿將其側放或者上下顛倒。這樣可能會使得機油從加油口/通風口蓋洩漏出來。

保養

▲注意：進行檢查或保養之前，務必要確認幫浦已經關閉而且電池盒已經取出來。

注意：切勿使用汽油、揮發油、稀釋劑或者酒精之類的東西。可能會造成褪色、變形或破裂。

為了保持產品的安全與可靠，修理、任何其他維護或調整工作都應該由經過Makita授權的或原廠的服務中心進行，而且一定要使用Makita的零組件。

檢查機油

► 圖8:

1. 液面線
 2. 觀看玻璃
- 使用幫浦之前，務必要檢查機油的液面與狀態（劣化等等）。

附註：將機油加入到液面介於觀看玻璃的上下液面線之間。

更換機油

► 圖9:

1. 進氣關閉閥
2. 排油栓

1. 打開進氣關閉閥。
 2. 操作幫浦1或2分鐘，將機油加溫。
 3. 關閉幫浦。
 4. 取下排油栓並排乾機油。
 5. 請參考“加油”並加新油。
- 請按照當地法規處理舊油。

附註：建議使用20小時之後更換機油，以防止幫浦零組件受到進入幫浦的污染物污染。

為老舊的冷藏系統抽真空時，每次使用都要換油。

清潔幫浦

1. 機油非常骯髒時，請將油換掉並操作幫浦3至5分鐘。
2. 排光機油並加入新油。
如果排出來的機油還是很髒，重複這個步驟兩或三次。

選購附件

▲注意：建議將這些附件或配件用於本說明書中指定的Makita工具。使用任何其他附件或配件可能會對人員造成傷害。這些附件或配件只能按其表明的用途使用。

如果需要關於這些附件詳細資訊的任何協助，請向您當地的Makita服務中心查詢。

- Makita原廠的電池與充電器
- 真空幫浦機油150 ml
- 真空幫浦鋁盒
- 真空幫浦軟管
- 有氣壓計的真空幫浦閥門

附註：清單中的某些項目可能包含在套裝工具中作為標準附件。它們可能會因為國家而異。

사양

모델 :	DVP180
배터리 카트리지(용량)	BL1860B (6.0Ah) BL1850 / BL1850B(5.0Ah) BL1840 / BL1840B(4.0Ah) BL1830 / BL1830B (3.0Ah)
정격 전압	D.C. 18 V
펄프	단동 로타리 펄프
대기 변위	50 L/min
최종 진공	20 Pa
오일량	100 - 115 ml
유입	5/16" 플레어(수)
치수	263 mm(길이) × 93 mm(너비) × 172 mm(높이)
중량(BL1850 배터리 포함)	3.5 kg

- 지속적인 연구, 개발로 인해 여기에 기재된 사양은 예고 없이 변경될 수 있습니다.
- 사양과 배터리 카트리지는 국가별로 다를 수 있습니다.
- EPTA-절차 01/2003에 따른 배터리 카트리지 포함 무게입니다.

기호

다음은 본 공구에 사용된 기호를 나타냅니다. 사용하기 전에 그 의미를 숙지하여 주십시오.



- 사용 설명서 참조.



- 경고: 표면 뜨거움!
이 기호 주위에 손대지 마십시오.
표면에 닿으면 화상이나 부상을 입을 수 있습니다.



- EU 국가만 해당
전기 장비 또는 배터리 팩을 생활폐기물과 함께 배출하지 마십시오!
폐전기전자제품, 배터리 및 축전지, 폐배터리 및 폐축전지에 관한 유럽 지침과 해당 지침의 국내법 실행에 따라, 수명이 다한 전동 공구와 배터리 및 배터리 팩은 분리 수거하여 친환경 재활용 시설에 반환해야 합니다.

일반 안전 경고

⚠ 경고: 모든 안전 경고와 모든 지침을 숙지하여 주십시오. 경고와 지침을 따르지 않으면 감전, 화재 및/또는 심각한 부상으로 이어질 수 있습니다.

본 경고와 사용설명서를 잘 보관하여 주십시오.

아래의 모든 경고에서 “전동공구”란 전원선으로 작동하는 전동공구와 배터리로 작동하는 충전식 전동공구를 의미합니다.

작업장의 안전

1. **작업장을 충분히 밝고 깨끗하게 유지하여 주십시오.** 어질러지고 어두운 작업장은 사고의 원인이 됩니다.
2. **인화성 액체, 가스 또는 분진과 같이 폭발성 물질이 있는 환경에서 전동공구를 사용하지 마십시오.** 전동공구에서 튀는 불꽃으로 입자나 가스가 점화될 수 있습니다.
3. **전동공구가 작동 중일 때는 작업자 이외의 사람이나 어린이들의 접근을 막아 주십시오.** 주위가 산만하면 제어력을 상실할 수 있습니다.

전기 안전

4. **전동공구의 플러그는 콘센트에 맞아야 합니다.** 플러그를 절대로 개조하지 마십시오. 접지된 전동공구에 다른 플러그를 연결하여 사용하지 마십시오. 개조하지 않은 플러그와 규격의 콘센트는 감전의 위험을 줄여 줍니다.
5. **파이프, 난방기, 레인지, 냉장고와 같이 접지된 표면에 신체 접촉을 피하여 주십시오.** 작업자의 몸이 닿을 경우 감전의 위험이 증가합니다.
6. **전동공구를 비나 습기에 노출시키지 마십시오.** 물이 전동공구에 들어갈 경우 감전의 위험이 증가합니다.
7. **코드를 합부로 다루지 마십시오.** 코드를 당겨 전동공구를 이동하거나 플러그를 뽑지 마십시오. 열, 오일, 날카로운 모서리, 회전부로부터 코드를 멀리하여 주십시오. 코드가 손상되거나 영키면 감전의 위험이 증가합니다.
8. **전동공구를 실외에서 사용할 경우에는 실외용 연결 코드를 사용하여 주십시오.** 실외용 연결선은 감전의 위험을 줄여 줍니다.

- 습도가 높은 곳에서 작업할 경우 접지 회로 단속기(GFCI)를 사용하여 주십시오. GFCI의 사용은 갑작의 위험을 줄여 줍니다.

작업자 안전

- 전동공구를 사용할 때는 방심하지 말고 어떤 작업을 하고 있는지 항상 주목하며 상시적으로 생각하며 작업하여 주십시오. 피곤하거나, 약을 복용했거나, 술을 마신 다음에는 전동공구를 사용하지 마십시오. 전동공구를 사용하는 동안 잠깐이라도 방심하면 심각한 상태 사고가 일어날 수 있습니다.
- 안전 장비를 사용하여 주십시오. 항상 보안경을 착용하여 주십시오. 작업 환경에 적절하게 방진 마스크, 미끄럼방지 작업화, 작업모자, 귀마개와 같은 안전장비를 사용하면 상해를 줄일 수 있습니다.
- 실수로 공구가 기동되지 않도록 하십시오. 공구를 이동하거나 들어올리거나 배터리나 전원을 연결하기 전에 스위치가 꺼져 있는지를 먼저 확인하여 주십시오. 전동공구의 스위치에 손가락을 넣은 상태로 이동하거나 스위치가 켜진 상태에서 플러그를 연결하면 사고가 날 수 있습니다.
- 전동공구를 작동시키기 전에 먼저 조절기 또는 렌치를 제거하여 주십시오. 전동공구의 회전부에 렌치나 키가 꽂혀 있으면 상해의 원인이 됩니다.
- 무리한 자세로 작업하지 마십시오. 항상 양발을 고정시켜 균형을 유지하여 주십시오. 예기치 않은 상황이 발생해도 전동공구를 잘 제어할 수 있습니다.
- 적절한 복장으로 작업하여 주십시오. 헐렁한 옷이나 장신구를 착용하지 마십시오. 회전부에 머리카락, 의류, 장갑이 끼지 않도록 주의하여 주십시오. 헐렁한 의류나, 장신구, 긴 머리카락은 회전부에 빨려 들어갈 수 있습니다.
- 방진 및 집진 장비에 연결될 경우에는 제대로 연결하여 바르게 사용하여 주십시오. 집진 장비를 사용하면 먼지로 발생하는 위험을 줄일 수 있습니다.

전동공구의 사용 및 관리

- 전동공구를 무리하게 사용하지 마십시오. 용도에 맞는 전동공구를 사용하여 주십시오. 용도와 용량에 맞게 전동공구를 사용해야 능률적이고 안전하게 작업할 수 있습니다.
- 스위치가 켜지거나 꺼지지 않으면 전동공구의 사용을 중단하여 주십시오. 스위치가 제대로 작동하지 않는 전동공구는 위험하므로 반드시 수리하여 주십시오.
- 전동공구를 조정하거나, 부속품을 교환하거나, 전동공구를 보관하기 전에는 플러그를 뽑거나 배터리 팩을 빼 주십시오. 이러한 안전조치는 전동공구가 예기치 않게 작동하는 위험을 줄여 줍니다.
- 사용하지 않는 전동공구는 아이들의 손이 닿지 않는 곳에 보관하여 주시고, 전동공구나 본 설명서 내용에 익숙하지 않은 사람이 전동공구를 사용하지 않도록 하여 주십시오. 훈련받지 않은 작업자가 전동공구를 사용하는 것은 매우 위험합니다.
- 유지보수를 철저히 하여 주십시오. 회전부의 연결과 조정은 괜찮은지, 손상된 부분은 없는지 등 전동공구 작동에 영향을 줄 수 있는 모든 상태를 점검하여 주십시오. 손상된 경우 사용 전에 수리를 받아 주십시오. 많은 사고가 전동공구의 유지보수를 제대로 하지 않아서 발생합니다.

- 절삭용 공구는 날카롭고 깨끗하게 유지하여 주십시오. 제대로 유지보수된 전동공구에 날카로운 절삭날을 사용하면 작업 중에 날이 갈려 움직이지 않는 경우가 덜 하며 제어하기 쉬워집니다.

- 전동공구, 부속품, 공구 비트는 작업 조건과 작업 내용을 고려하여 선택하고, 이 설명서에 따라 사용하여 주십시오. 전동공구를 지정된 용도와 달리 사용하면 위험한 상황이 초래될 수 있습니다.

배터리 공구의 사용 및 관리

- 제조사에서 지정한 충전기만으로 충전하여 주십시오. 한 가지 종류의 배터리 팩에 적합한 충전기를 사용하면 다른 배터리와 함께 사용할 경우 화재가 발생할 수 있습니다.
- 지정된 배터리 팩으로만 전동공구를 사용하여 주십시오. 다른 배터리 팩을 사용할 경우 부상 및 화재의 위험이 있을 수 있습니다.
- 배터리 팩을 사용하지 않을 때는 양 전극이 통하도록 하는 종이 클립, 동전, 열쇠, 못, 나사 및 기타 소형 금속 물질을 주변에 두지 마십시오. 배터리 전극을 단락시켜 화상이나 화재가 일어날 수 있습니다.
- 험한 환경에서 사용할 경우 배터리에서 배터리 액이 누출될 수 있으므로 몸에 닿지 않도록 주의하십시오. 실수로 접촉한 경우에는 물로 씻어 주십시오. 액체가 눈에 들어간 경우에는 의사를 찾아가 주십시오. 배터리에서 흘러나온 액체는 염증이나 화상을 일으킬 수 있습니다.

서비스

- 자격을 갖춘 전문가가 순정부품을 사용하여 본 제품을 수리하도록 하여 주십시오. 그러면 전동공구를 안전하게 사용하는데 도움이 됩니다.
- 주유 및 부속품의 교환 시에는 설명서의 지시를 따라 주십시오.
- 손잡이 부분은 항상 건조하고 깨끗한 상태를 유지하고, 기름과 윤활유가 묻지 않도록 주의하여 주십시오.

충전식 진공 펌프 안전 경고

- 전동공구는 냉방 및 에어 컨디셔닝 장비와 회수 용기의 배출에 사용되는 기계입니다. 다른 용도로는 사용하지 마십시오. 다른 용도로 사용할 경우 사고가 발생할 수 있습니다.
- 전동공구를 사용하기 전에 항상 오일 누출 여부를 점검하십시오. 이렇게 하지 않으면 화재가 발생할 수 있습니다.
- 안전하고 효율적인 작업을 위해 오일 높이 및 상태(열화 등)를 검사하십시오.
- 너무 뜨겁거나 너무 차가운 환경에서는 적절한 성능이 발휘되지 않을 수 있습니다.

위의 지시 사항을 준수하여 주십시오

▲경고: 여러 번 사용해 익숙해졌다 하더라도 긴장을 늦추지 말고 항상 안전수칙을 지켜주시기 바랍니다. 본 사용 설명서의 안전 수칙을 따르지 않거나 잘못 사용하면 심각한 대인 상해가 일어날 수 있습니다.

배터리 카트리지에 대한 중요한 안전 규칙

1. 배터리 카트리지를 사용하기 전에 (1) 배터리 충전기 (2) 배터리 (3) 배터리를 사용하는 제품에 관한 모든 지시사항 및 주의 표시를 숙지하여 주십시오.
2. 배터리 카트리지를 분해하지 마십시오.
3. 작동 시간이 지나치게 짧아진 경우에는 작동을 즉시 멈춰 주십시오. 과열이나 화상 혹은 폭발할 위험이 있습니다.
4. 전해질이 눈에 들어간 경우에는 깨끗한 물로 씻어낸 다음 즉시 치료를 받으십시오. 시력을 잃을 수 있습니다.
5. 배터리 카트리지를 단락시키지 마십시오:
 - (1) 전도력이 있는 물질로 배터리 단자를 접촉하지 마십시오.
 - (2) 못, 동전 등과 같은 금속 물질이 들어 있는 용기에 배터리 카트리지를 보관하지 마십시오.
 - (3) 배터리 카트리지를 물이나 비에 노출시키지 마십시오.

배터리가 단락되어 과전류, 과열, 화상 및 고장이 일어날 수 있습니다.
6. 온도가 50℃ 이상 되는 곳에 공구와 배터리 카트리지를 보관하지 마십시오.
7. 심하게 손상되었거나 완전히 닳은 경우라도 배터리 카트리지를 태우지 마십시오. 배터리 카트리지가 폭발할 수 있습니다.
8. 배터리를 떨어뜨리거나 충격을 가하지 마십시오.
9. 손상된 배터리를 사용하지 마십시오.
10. 배터리 폐기에 관해서는 지역 규정에 따르십시오.

위의 지시 사항을 준수하여 주십시오

▲주의: 정품 Makita 배터리만 사용하십시오. 비정품 Makita 배터리 또는 개조된 배터리를 사용할 경우 배터리가 폭발하여 화재, 대인 상해 및 손상이 발생할 수 있습니다. 또한 Makita 공구와 충전기에 대한 Makita 보증이 무효화됩니다.

배터리 수명을 최대한으로 유지하는 방법

1. 완전히 방전되기 전에 배터리 카트리지를 충전합니다. 공구의 힘이 약해진 것을 감지했을 때 공구의 작동을 멈추고 배터리 카트리지를 충전합니다.
2. 완전히 충전된 배터리 카트리지를 재충전하지 마십시오. 과충전은 배터리의 수명을 단축시킵니다.
3. 실내 온도 10℃~40℃에서 배터리 카트리지를 충전합니다. 충전하기 전에 뜨거운 배터리 카트리지를 식힙니다.
4. 6개월 이상 장기간 배터리 카트리지를 사용하지 않을 때는 충전한 다음 보관해 주십시오.

각 부 설명

▶ 그림 1:

- | | |
|---------------|------------|
| 1. 확인창 | 7. 전원 스위치 |
| 2. 오일 급유/배출 캡 | 8. LED 램프 |
| 3. 유입 차단 밸브 | 9. 모터 |
| 4. 핸들 | 10. 베이스 |
| 5. 배터리 홀더 | 11. 오일 탱크 |
| 6. 배터리 | 12. 배출 플러그 |

기능 설명

▲주의: 펌프의 기능을 조정하거나 점검하기 전에는 항상 펌프의 스위치가 꺼져 있고 배터리 카트리지가 분리되어 있는지를 확인하여 주십시오.

배터리 카트리지 설치 및 제거

▲주의: 배터리 카트리지를 장착하거나 제거하기 전에는 반드시 펌프의 스위치를 끄십시오.

▲주의: 배터리 카트리지를 장착하거나 제거할 때 펌프와 배터리 카트리지를 단단히 잡아 주십시오. 펌프와 배터리 카트리지를 단단히 잡지 않으면 손에서 미끄러져 펌프와 배터리 카트리지에 손상이 생기고 대인 상해가 발생할 수 있습니다.

▶ 그림 2:

1. 적색 표시기
2. 버튼
3. 배터리 카트리지

배터리 카트리지를 분리하려면 카트리지 전면에 있는 버튼을 밀면서 펌프에서 빼냅니다.

배터리 카트리지를 장착하려면 구멍 홈에 배터리 카트리지의 끝부분을 맞추고 그대로 밀어 넣습니다. 딸각 소리가 나면서 제자리에 들어가 잠길 때까지 쪽 밀어 넣습니다. 버튼의 윗쪽에 적색 표시기가 보이면 완전히 잠긴 것이 아닙니다.

▲주의: 적색 표시기가 보이지 않을 때까지 배터리 카트리지를 완전히 장착합니다. 그렇지 않으면 펌프에서 분리되어 작업자나 주변 사람에게 상해를 입힐 수 있습니다.

▲주의: 배터리 카트리지를 힘으로 장착하지 마십시오. 카트리지가 쉽게 들어가지 않으면 정확하게 삽입한 것이 아닙니다.

배터리 보호 장치

▶ 그림 3:

1. 별 표시

펌프에는 배터리 보호 장치가 장착되어 있습니다. 이 장치는 자동으로 모터의 전원을 차단해 배터리 수명을 연장시킵니다. 다음과 같은 상황에서 펌프나 배터리를 사용하면 펌프가 자동으로 작동을 멈춥니다.

과부하:

펌프가 비정상적으로 높은 전류를 소모하는 방식으로 작동합니다.

이런 경우 펌프를 끄고 펌프 과부하를 초래하는 용도로의 사용을 중지합니다. 그런 다음 펌프를 켜고 다시 시작합니다.

펌프가 가동하지 않는다면 배터리가 과열된 것입니다. 이런 경우, 펌프를 다시 켜기 전에 배터리를 식힙니다.

낮은 배터리 전압:

남아 있는 배터리 용량이 너무 적어 펌프를 작동할 수 없습니다. 이런 경우, 배터리를 분리한 후 충전합니다.

주석: 과열 보호 장치는 별 표시가 있는 배터리 카트리지에만 적용됩니다.

남아 있는 배터리 용량 표시

모델 번호가 “B” 로 끝나는 배터리 카트리지만 해당

▶ 그림 4:

1. 표시기 램프 2. 확인 버튼

배터리 카트리지에 있는 확인 버튼을 눌러 배터리의 남은 용량을 표시합니다. 표시기 램프가 몇 초간 켜집니다.

표시기 램프			남은 용량
켜짐	꺼짐	깜빡임	
■ ■ ■ ■			75% - 100%
■ ■ ■ □			50% - 75%
■ ■ □ □			25% - 50%
■ □ □ □			0% - 25%
▣ □ □ □			배터리를 충전합니다.
■ ■ □ □	↑	↓	배터리가 고장일 수 있습니다.
□ □ ■ ■			

주석: 사용 조건과 주변 온도에 따라 실제 용량보다 조금 다르게 표시될 수 있습니다.

조작

새로 구입한 펌프에는 오일이 들어 있지 않습니다. “오일 넣기”를 참조하여 오일을 넣으십시오.

⚠경고: 오일을 넣지 않고 펌프를 작동하면 펌프가 손상됩니다. 또한 오일 탱크가 뜨거워져서 화상이나 기타 사고가 발생할 수 있습니다.

오일 넣기

▶ 그림 5:

1. 오일 급유/배출 캡
2. 높이 선
3. 확인창
4. 오일 탱크

1. 오일 급유/배출 캡을 분리하고 제공된 오일을 급유 포트를 통해 넣습니다.

유의사항: 펌프 성능을 유지하기 위해 항상 Makita 정품 오일을 사용하십시오.

2. 오일 높이가 확인창의 상한 및 하한 높이 선 사이에 오도록 넣습니다.

유의사항: 오일 높이는 매우 중요합니다. 오일 높이가 상한 및 하한 높이 선 사이에 있지 않은 조건에서 펌프를 작동하면 고장날 수 있습니다.

성능 확인

▶ 그림 6:

1. 유입
2. 하부 밸브
3. 진공 펌프
4. 매니폴드

1. 매니폴드의 하부 밸브와 펌프의 유입 포트를 충전 호스로 연결합니다.
2. 매니폴드의 하부 밸브를 닫습니다.
3. 유입 차단 밸브를 엽니다.
4. 유입 밸브를 엽니다.
5. 펌프를 켭니다. 매니폴드의 압력이 30초 내에 $-0.09 \sim -0.1$ MPa를 나타내면 펌프가 정상적으로 작동하는 것입니다.
6. 펌프를 끕니다.

작동

▶ 그림 7:

1. 진공 펌프
2. 유입 차단 밸브
3. 충전 호스(노란색)
4. 매니폴드
5. 하부 밸브
6. 저압 게이지
7. 상부 밸브
8. 충전 호스(파란색)
9. 서비스 포트(저압측)
10. 실외 장치

1. 펌프, 매니폴드 및 실외 장치를 호스로 연결합니다.

주석: 장치의 서비스 포트 크기가 1/4"인 경우, 제공된 다른 직경의 어댑터를 사용하십시오.

2. 매니폴드의 상단 및 하단 밸브가 닫혀 있는지 확인합니다.
3. 펌프에 배터리를 설치합니다. 설치 방법은 “배터리 카트리지 설치 및 제거”를 참조하십시오.

4. 펌프를 켭니다. LED 램프(녹색)가 켜집니다.
5. 펌프의 유입 차단 밸브와 매니폴드의 하부 밸브를 엽니다.

⚠경고: 작동 중 그리고 중지 직후에는 펌프가 뜨겁습니다. 뜨거울 때 펌프를 만지지 마십시오. 화상 또는 기타 사고가 발생할 수 있습니다.

주석: 모터가 차가울 때는(5°C 이하) 작동하지 않을 수 있습니다. 이 경우에는 펌프를 실내로 가져와서 온도를 올리십시오.

6. 지정된 진공(에어 컨디셔너 제조업체에서 제공한 설명서 참조)에 도달하면 매니폴드의 하부 밸브를 닫습니다.
7. 유입 차단 밸브를 닫고 펌프를 끕니다.

기밀성 테스트

펌프와 매니폴드를 방치한 후 5분 이상 매니폴드의 압력이 상승하지 않으면 누출이 없는 것입니다.

주석: 배터리 잔량이 낮아지면 LED 램프가 꺼지고 동시에 긴 알람 신호음이 울리기 시작합니다. 약 2분 후 모터가 중지합니다. 그런 다음 알람 신호음이 반복되는 간헐적 신호음으로 바뀌어 모터 중지를 알리고 30초 후 신호음이 멈춥니다. 하지만 모터가 중지될 때까지(또는 알람 신호음이 짧은 신호음으로 바뀔 때까지) 기다리지 말고 공구의 유입 밸브 및 매니폴드의 저압측 밸브를 닫으십시오.

펌프가 꺼졌는지 확인하고 배터리를 제거한 후 충전하거나 예비 배터리를 교환하십시오.

- 배터리 작동 시간은 다음 표를 참조하십시오.

작동 시간(지침)

배터리	작동 시간
BL1860B	75 분
BL1850 / BL1850B	50 분
BL1840 / BL1840B	40 분
BL1830 / BL1830B	30 분

- 작업 완료 후에는 배터리를 분리한 후 제공된 커버를 부착하십시오.

유의사항: 공구를 운반, 조작 및 보관할 때는 옆이나 위아래로 뒤집어두지 마십시오. 이 경우 오일 필러/통기구 캡에서 오일이 새 수 있습니다.

유지 보수

⚠주의: 점검 또는 유지 보수 작업을 하기 전에는 항상 펌프의 스위치가 꺼져 있고 배터리 카트리지가 분리되어 있는지 확인하여 주십시오.

유의사항: 휘발유, 벤진, 시너, 알코올 등은 사용하지 마십시오. 변색 또는 변형되거나 금이 갈 수 있습니다.

제품의 안정과 신뢰성을 유지하기 위해, 수리 및 기타 유지 보수 또는 조정 시에는 항상 Makita 순정 부품을 사용하는 Makita 공인 서비스 센터나 공장 서비스 센터를 이용하여 주십시오.

오일 점검

▶ 그림 8:

1. 높이 선
2. 확인창

- 펌프를 사용하기 전에 항상 오일 높이 및 상태(열화 등)를 검사하십시오.

주석: 오일 높이가 확인창의 상한 및 하한 높이 선 사이에 오도록 넣습니다.

오일 교체

▶ 그림 9:

1. 유입 차단 밸브
2. 배출 플러그

1. 유입 차단 밸브를 엽니다.
 2. 펌프를 1-2분 동안 작동하여 오일 온도를 높입니다.
 3. 펌프를 끕니다.
 4. 배출 플러그를 제거하여 오일을 배출시킵니다.
 5. “오일 넣기”를 참조하여 새 오일을 넣습니다.
- 폐기 오일은 현지 규정에 따라 폐기하십시오.

주석: 오염 물질이 펌프로 들어가는 것을 방지하기 위해 20시간 사용 후 오일을 교환할 것을 권장합니다.

오래된 냉장 시스템에서 진공을 실시할 때는 매 사용 후 오일을 교환하여 주십시오.

펌프 청소

1. 오일이 심하게 더러운 경우에는 오일을 교환한 다음 펌프를 3-5분 동안 작동하십시오.
 2. 오일을 배출하고 새 오일을 넣습니다.
- 배출된 오일이 그래도 더러운 경우에는 이 청소 과정을 2-3회 반복합니다.

별매품

⚠주의: 이는 본 사용 설명서에 명시된 Makita 공구를 사용할 때 권장되는 부속품입니다. 다른 부속품을 사용하게 되면 대인 상해를 야기할 수 있습니다. 지정된 용도로만 별매품을 사용하여 주십시오.

본 부속품에 관한 보다 상세한 도움이 필요하신 경우에는 각 지역 Makita 서비스 센터에 문의하여 주십시오.

- Makita 정품 배터리와 충전기
- 진공 펌프 오일 150 ml
- 진공 펌프 알루미늄 케이스
- 진공 펌프 호스
- 게이지 포함 진공 펌프 밸브

주석: 목록의 몇 가지 품목은 표준 부속품으로 공구 포장에 포함되어 있습니다. 포함된 품목은 국가별로 상이할 수 있습니다.

SPEKIFIKASI

Model:	DVP180
Kartrid baterai (kapasitas)	BL 1860B (6,0 Ah) BL 1850 / BL 1850B (5,0 Ah) BL 1840 / BL 1840B (4,0 Ah) BL 1830 / BL 1830B (3,0 Ah)
Rating tegangan	D.C. 18 V
Pompa	Pompa berputar satu tahap
Kapasitas udara bebas	50 L/menit
Vakum puncak	20 Pa
Kapasitas oli	100 – 115 ml
Intake	Jantan kembang 5/16"
Dimensi	263 mm (P) × 93 mm (L) × 172 mm (T)
Bobot bersih (dengan baterai BL 1850)	3,5 kg

- Dengan masih berjalannya program riset dan pengembangan kami, maka spesifikasi ini dapat berubah tanpa pemberitahuan sebelumnya.
- Spesifikasi dan kartrid baterai dapat berbeda untuk setiap negara.
- Berat, dengan kartrid baterai, berdasarkan Prosedur EPTA 01/2003

Simbol

Berikut adalah simbol yang digunakan untuk peralatan. Pastikan Anda telah memahami artinya sebelum menggunakan peralatan.



- Baca buku petunjuk.



- Peringatan: permukaan panas!
Jangan sentuh di sekitar simbol ini. Menyentuh permukaan dapat mengakibatkan luka bakar atau cedera.



- Hanya untuk negara UE
Jangan buang peralatan listrik atau unit baterai dengan limbah rumah tangga! Sesuai Petunjuk Eropa tentang Limbah Peralatan Listrik dan Elektronik, Baterai dan Pengisi Daya, serta Baterai dan Pengisi Daya Bekas serta penerapannya berdasarkan undang-undang setempat, peralatan listrik dan baterai serta unit baterai yang masa pakainya telah berakhir harus dikumpulkan secara terpisah dan dikembalikan ke fasilitas daur ulang ramah lingkungan.

Simpan semua peringatan dan petunjuk untuk referensi di masa mendatang.

Istilah "perkakas listrik" pada peringatan mengacu pada perkakas listrik yang dioperasikan menggunakan listrik (berkabel) atau perkakas listrik yang dioperasikan dengan baterai (nirkabel).

Keamanan area kerja

1. **Rapikan tempat kerja dan gunakan cahaya yang memadai.** Tempat yang berantakan atau gelap berisiko kecelakaan.
2. **Jangan operasikan perkakas listrik di lingkungan yang rentan akan ledakan, misalnya terdapat cairan yang mudah terbakar, gas, atau debu.** Perkakas listrik menimbulkan percikan api yang dapat menyambar debu atau menimbulkan asap.
3. **Operasikan perkakas listrik ini jauh dari anak-anak dan orang lain di sekitar.** Gangguan dapat mengakibatkan Anda kehilangan kontrol.

Keamanan listrik

4. **Konektor perkakas listrik harus sesuai dengan stopkontak. Jangan modifikasikan konektor dengan cara apa pun. Jangan gunakan konektor adaptor apa pun dengan perkakas listrik yang ditanahkan (diarde).** Konektor yang tidak dimodifikasi dan stopkontak yang cocok akan mengurangi risiko sengatan listrik.
5. **Hindari kontak badan dengan permukaan yang ditanahkan atau diarde, seperti pipa, radiator, pemanas, dan sistem pendingin.** Terdapat peningkatan risiko sengatan listrik jika badan Anda ditanahkan atau diarde.
6. **Pastikan perkakas listrik tidak terkena hujan atau tidak basah.** Perkakas listrik yang terkena air akan meningkatkan risiko sengatan listrik.

Peringatan keselamatan perkakas listrik umum

⚠️ PERINGATAN: Baca semua peringatan tentang keselamatan dan semua petunjuk. Mengabaikan peringatan dan petunjuk dapat mengakibatkan sengatan listrik, kebakaran, dan/atau cedera parah.

7. **Jangan menyalahgunakan kabel. Jangan gunakan kabel untuk membawa, menarik, atau melepas alat teknik. Jauhkan kabel dari panas, minyak, tepi tajam, atau komponen yang bergerak. Kabel rusak atau tersangkut dapat meningkatkan risiko sengatan listrik.**
8. **Saat mengoperasikan alat teknik di luar ruangan, gunakan kabel ekstensi yang sesuai untuk penggunaan di luar ruangan. Penggunaan kabel yang sesuai untuk di luar ruangan akan mengurangi risiko sengatan listrik.**
9. **Jika pengoperasian perkakas listrik di lokasi yang lembap tidak dapat dihindari, gunakan catu yang dilindungi GFCI (pemutus gangguan sirkuit arde). Penggunaan GFCI akan mengurangi risiko sengatan listrik.**
18. **Jangan gunakan perkakas listrik jika tombol hidup-mati tidak berfungsi. Setiap perkakas listrik yang tidak dapat dikontrol dengan tombol akan berbahaya dan harus diperbaiki.**
19. **Lepaskan konektor dari catu daya dan/atau unit baterai dari perkakas listrik sebelum melakukan penyetelan, mengganti aksesori, atau menyimpan perkakas listrik. Tindakan pencegahan demi keselamatan tersebut akan mengurangi risiko dihidupkannya perkakas listrik secara tidak disengaja.**
20. **Simpan perkakas listrik idle dari jangkauan anak-anak dan jangan biarkan siapa pun yang tidak mengetahui cara menggunakan perkakas listrik atau petunjuk ini mengoperasikan perkakas listrik. Perkakas listrik berbahaya jika digunakan oleh pengguna yang tidak terlatih.**

Keselamatan pribadi

10. **Tetap waspada, hati-hati saat melakukan apa pun dan gunakan akal sehat saat mengoperasikan perkakas listrik. Jangan gunakan perkakas listrik bila Anda lelah atau berada dalam pengaruh obat, alkohol, pengobatan. Sedikit lengah sewaktu mengoperasikan perkakas listrik dapat mengakibatkan cedera berat.**
11. **Gunakan peralatan perlindungan pribadi. Selalu kenakan alat pelindung mata. Peralatan pelindung seperti masker debu, sepatu pengaman anti-selip, helm pelindung, atau pelindung pendengaran yang digunakan untuk kondisi yang tepat akan mengurangi cedera pribadi.**
12. **Jangan sampai memulai tanpa sengaja. Pastikan tombol berada pada posisi mati sebelum menyambungkan ke catu daya dan/atau unit baterai, maupun saat mengambil atau membawa perkakas. Membawa perkakas listrik dengan jari Anda pada tombol daya atau mengalirkan daya ke perkakas listrik dengan tombol pada posisi hidup memiliki risiko kecelakaan.**
13. **Lepas kunci pengatur atau kunci pas sebelum menghidupkan perkakas listrik. Kunci pas atau kunci yang terpasang pada bagian yang berputar pada perkakas listrik dapat mengakibatkan cedera.**
14. **Jangan melampaui batas jangkauan. Selalu jaga pijakan dan keseimbangan yang baik. Hal ini memungkinkan kontrol perkakas listrik yang lebih baik dalam situasi yang tidak terduga.**
15. **Kenakan pakaian yang sesuai. Jangan kenakan pakaian longgar atau perhiasan. Jauhkan rambut, pakaian, dan sarung tangan dari komponen yang bergerak. Pakaian longgar, perhiasan, atau rambut panjang dapat tersangkut pada komponen yang bergerak.**
16. **Jika perangkat dilengkapi sambungan ekstrak debu dan tempat penampungan, pastikan perangkat tambahan tersebut disambungkan dan digunakan dengan sesuai. Penggunaan penampungan debu dapat mengurangi bahaya yang terkait dengan debu.**
21. **Rawat perkakas listrik. Periksa apakah ada komponen bergerak yang tidak sejajar atau macet karena kerusakan pada komponen dan kondisi lainnya dapat mempengaruhi pengoperasian perkakas listrik. Jika rusak, perbaiki perkakas listrik sebelum digunakan. Banyak kecelakaan disebabkan oleh perkakas listrik yang tidak terawat.**
22. **Pastikan alat pemotong tetap tajam dan bersih. Alat pemotong yang terawat dengan tepi pemotongan tajam tidak cenderung macet dan mudah dikontrol.**
23. **Gunakan perkakas listrik, aksesori serta alat tambahan, dll. sesuai dengan petunjuk ini, dengan memperhitungkan kondisi kerja dan pekerjaan yang akan dilakukan. Penggunaan perkakas listrik untuk pengoperasian yang berbeda dengan yang ditunjukkan dapat menimbulkan kondisi berbahaya.**
24. **Isi daya hanya dengan pengisi daya yang ditentukan oleh produsen. Pengisi daya yang sesuai untuk satu jenis unit baterai dapat menimbulkan risiko kebakaran bila digunakan dengan unit baterai lain.**
25. **Gunakan perkakas listrik hanya dengan unit baterai yang ditetapkan khusus. Penggunaan unit baterai lainnya dapat menimbulkan risiko cedera dan kebakaran.**
26. **Bila unit baterai tidak digunakan, jauhkan dari benda logam lainnya, seperti klip kertas, koin, kunci, paku, skrup, atau benda logam kecil lainnya yang dapat membuat sambungan dari satu terminal ke terminal lain. Membuat hubungan arus pendek pada terminal baterai secara bersamaan dapat mengakibatkan luka bakar atau kebakaran.**
27. **Jika mengalami gangguan parah, cairan dapat keluar dari baterai; hindari kontak. Jika terjadi kontak, bilas dengan air. Jika cairan mengenai mata, segera minta pertolongan medis. Cairan yang keluar dari baterai dapat menyebabkan iritasi atau luka bakar.**

Penggunaan dan pemeliharaan alat baterai

24. **Isi daya hanya dengan pengisi daya yang ditentukan oleh produsen. Pengisi daya yang sesuai untuk satu jenis unit baterai dapat menimbulkan risiko kebakaran bila digunakan dengan unit baterai lain.**
25. **Gunakan perkakas listrik hanya dengan unit baterai yang ditetapkan khusus. Penggunaan unit baterai lainnya dapat menimbulkan risiko cedera dan kebakaran.**
26. **Bila unit baterai tidak digunakan, jauhkan dari benda logam lainnya, seperti klip kertas, koin, kunci, paku, skrup, atau benda logam kecil lainnya yang dapat membuat sambungan dari satu terminal ke terminal lain. Membuat hubungan arus pendek pada terminal baterai secara bersamaan dapat mengakibatkan luka bakar atau kebakaran.**
27. **Jika mengalami gangguan parah, cairan dapat keluar dari baterai; hindari kontak. Jika terjadi kontak, bilas dengan air. Jika cairan mengenai mata, segera minta pertolongan medis. Cairan yang keluar dari baterai dapat menyebabkan iritasi atau luka bakar.**

Servis

28. **Bawa perkakas listrik untuk diservis oleh teknisi perbaikan berpengalaman yang hanya menggunakan komponen pengganti yang sama. Hal ini akan memastikan perkakas listrik tetap aman.**

Penggunaan dan pemeliharaan perkakas listrik

17. **Jangan gunakan perkakas listrik secara paksa. Gunakan perkakas listrik yang benar untuk aplikasi Anda. Perkakas listrik yang benar akan berfungsi lebih baik dan lebih aman pada kecepatan yang sesuai dengan kegunaannya.**

29. Ikuti petunjuk untuk memberi pelumas dan mengganti aksesoris.
30. Pastikan gagang tetap kering, bersih, dan bebas dari oli dan gemuk.

Peringatan keselamatan pompa vakum nirkabel

1. Perangkat listrik adalah mesin yang digunakan untuk evakuasi refrigerasi dan peralatan penyejuk udara dan vessel pemulihan. Jangan gunakan untuk aplikasi lain. Tindakan tersebut dapat mengakibatkan kecelakaan.
2. Periksa selalu perangkat listrik apakah ada oli bocor sebelum digunakan. Tidak melakukannya dapat mengakibatkan kebakaran.
3. Periksa tingkat oli dan kondisi (penurunan kualitas, dll.) untuk memastikan pekerjaan yang aman dan efisien.
4. Performa yang memadai mungkin tidak dapat diperoleh dalam lingkungan yang sangat panas atau dingin.

SIMPAN PETUNJUK INI

PERINGATAN: JANGAN abaikan kepatuhan ketat terhadap peraturan keselamatan untuk produk subjek karena kemudahan dan telah mengetahuinya (telah sering menggunakan produk).

PENYALAHGUNAAN atau tidak mematuhi aturan keamanan yang tercantum dalam buku petunjuk ini dapat menyebabkan cedera berat.

Petunjuk keselamatan penting untuk kartrid baterai

1. Sebelum menggunakan kartrid baterai, baca semua petunjuk dan tanda tindakan pencegahan pada (1) pengisi daya baterai, (2) baterai, dan (3) produk yang menggunakan baterai.
2. Jangan bongkar kartrid baterai.
3. Jika waktu pengoperasian menjadi jauh lebih singkat, segera hentikan pengoperasian. Hal ini dapat mengakibatkan risiko panas berlebih, kemungkinan luka bakar, dan bahkan ledakan.
4. Jika elektrolit masuk ke mata Anda, bilas dengan air bersih dan segera minta pertolongan medis. Hal ini dapat mengakibatkan kebutaan.
5. Jangan buat hubungan arus pendek pada kartrid baterai:
 - (1) Jangan sentuh terminal dengan materi penghantar apa pun.
 - (2) Jangan simpan kartrid baterai dalam wadah bersama benda logam lain, misalnya paku, koin, dll.
 - (3) Pastikan kartrid baterai tidak terkena air atau hujan.

Arus pendek pada baterai dapat menyebabkan aliran arus besar, panas berlebih, kemungkinan luka bakar, dan bahkan kerusakan.
6. Jangan simpan alat dan kartrid baterai di lokasi dengan suhu yang dapat mencapai atau melebihi 50°C.

7. Jangan bakar kartrid baterai meskipun telah rusak atau benar-benar usang. Kartrid baterai dapat meledak dalam api.
8. Hati-hati jangan sampai baterai jatuh atau terbentur.
9. Jangan gunakan baterai rusak.
10. Ikuti peraturan setempat mengenai pembuangan baterai.

SIMPAN PETUNJUK INI

PERHATIAN: Gunakan hanya baterai asli Makita. Penggunaan bukan baterai asli Makita, atau baterai yang telah dimodifikasi, dapat mengakibatkan baterai meledak dan menyebabkan kebakaran, cedera, dan kerusakan. Hal ini juga akan membatalkan jaminan Makita untuk alat dan pengisi daya Makita.

Tips untuk mempertahankan masa pakai baterai maksimum

1. Isi daya kartrid baterai sebelum benar-benar habis. Selalu hentikan pengoperasian alat dan isi daya kartrid baterai bila daya alat berkurang.
2. Jangan isi ulang daya kartrid baterai yang terisi penuh. Mengisi daya berlebihan akan mempersingkat usia baterai.
3. Isi daya kartrid baterai dengan suhu ruang antara 10°C - 40°C. Biarkan kartrid baterai panas mendingin sebelum diisi daya.
4. Isi daya kartrid baterai jika Anda tidak menggunakannya untuk jangka waktu lama (lebih dari enam bulan).

KETERANGAN KOMPONEN

► Gambar 1:

- | | |
|---------------------------------------|------------------|
| 1. Kaca pengamat | 6. Baterai |
| 2. Tutup pengisian/
pembuangan oli | 7. Tombol daya |
| 3. Katup penutupan
intake | 8. Lampu LED |
| 4. Gagang | 9. Motor |
| 5. Dudukan baterai | 10. Dudukan |
| | 11. Tangki oli |
| | 12. Sumbat kuras |

KETERANGAN FUNGSI

PERHATIAN: Pastikan selalu pompa telah dimatikan dan kartrid baterai telah dilepas sebelum menyatel atau memeriksa fungsi pada pompa.

Memasang atau melepas kartrid baterai

⚠️PERHATIAN: Selalu matikan pompa sebelum memasang atau melepas kartrid baterai.

⚠️PERHATIAN: Pegang pompa dan kartrid baterai dengan mantap saat memasang atau melepas kartrid baterai. Tidak memegang pompa dan kartrid baterai dengan mantap dapat menyebabkannya terlepas dari tangan dan mengakibatkan kerusakan pada pompa dan kartrid baterai serta cedera.

► Gambar 2:

1. Indikator merah
2. Tombol
3. Kartrid baterai

Untuk melepas kartrid baterai, geser dari pompa sambil menggeser tombol pada bagian depan kartrid.

Untuk memasang kartrid baterai, sejajarkan lidah pada kartrid baterai dengan alur pada casing, lalu masukkan ke tempatnya. Masukkan sepenuhnya hingga terkunci pada tempatnya dengan sedikit klik. Jika Anda dapat melihat indikator merah di bagian atas tombol, berarti belum terkunci sepenuhnya.

⚠️PERHATIAN: Selalu pasang kartrid baterai sepenuhnya hingga indikator merah tidak terlihat. Jika tidak, kartrid dapat terlepas dari pompa dan menyebabkan Anda atau orang di sekitar Anda cedera.

⚠️PERHATIAN: Jangan pasang kartrid baterai secara paksa. Jika tidak bergeser dengan mudah, berarti kartrid tidak dimasukkan dengan benar.

Sistem proteksi baterai

► Gambar 3:

1. Tanda bintang

Pompa ini dilengkapi sistem perlindungan baterai. Sistem ini akan secara otomatis memutus daya ke motor untuk memperpanjang masa pakai baterai.

Pompa akan berhenti secara otomatis selama pengoperasian jika pompa dan/atau baterai berada dalam salah satu kondisi berikut:

Kelebihan beban:

Pompa dioperasikan dengan cara yang menyebabkannya menarik arus tinggi secara abnormal.

Dalam situasi ini, matikan pompa dan hentikan aplikasi yang menyebabkan pompa kelebihan beban. Selanjutnya, hiduapkan pompa untuk memulai kembali. Jika pompa tidak berjalan, berarti baterai terlalu panas. Dalam situasi ini, biarkan baterai mendingin sebelum menghidupkan pompa kembali.

Tegangan baterai rendah:

Kapasitas baterai yang tersisa terlalu rendah dan pompa tidak akan bekerja. Dalam situasi ini, lepaskan baterai, lalu isi daya.

CATATAN: Pelindung panas berlebih hanya berfungsi dengan kartrid baterai bertanda bintang.
















Menunjukkan kapasitas baterai yang tersisa

Hanya untuk kartrid baterai dengan "B" pada bagian akhir nomor model

► Gambar 4:

1. Lampu indikator
2. Tombol periksa

Tekan tombol periksa pada kartrid baterai untuk menunjukkan kapasitas baterai yang tersisa. Lampu indikator akan menyala selama beberapa detik.

Lampu indikator			Kapasitas yang tersisa
 Nyala	 Mati	 Berkedip	
			75% hingga 100%
			50% hingga 75%
			25% hingga 50%
			0% hingga 25%
			Mengisi daya baterai.
			Baterai mungkin mengalami kegagalan fungsi.

CATATAN: Tergantung pada kondisi penggunaan dan suhu di sekitar, indikasi mungkin sedikit berbeda dari kapasitas yang sebenarnya.

PENGOPERASIAN

Pompa tidak berisi oli saat baru dibeli. Lihat "Menambah oli" dan tambahkan oli.

⚠️PERINGATAN: Mengoperasikan pompa dalam kondisi tanpa oli ditambahkan akan merusak pompa. Selain itu, tangki oli akan menjadi panas dan dapat mengakibatkan luka bakar atau kecelakaan lainnya.

Menambah oli

► Gambar 5:

1. Tutup pengisian/pembuangan oli
2. Garis tingkat
3. Kaca pengamat
4. Tangki oli

1. Lepas tutup pengisian/pembuangan oli dan tambahkan oli yang diberikan melalui port pengisian.

PEMBERITAHUAN: Selalu gunakan oli asli Makita untuk mempertahankan performa pompa.

2. Tambahkan oli hingga tingkat oli berada di antara garis tingkat atas dan bawah pada kaca pengamat.

PEMBERITAHUAN: Tingkat oli merupakan hal penting. Mengoperasikan pompa dalam kondisi dengan tingkat oli tidak berada di antara garis tingkat atas dan bawah dapat mengakibatkan kegagalan fungsi.

Memeriksa performa

► Gambar 6:

1. Intake
 2. Katup samping bawah
 3. Pompa vakum
 4. Manifold
1. Sambungkan katup samping bawah pada manifold dan port intake pompa dengan selang pengisian daya.
 2. Tutup katup samping bawah pada manifold.
 3. Buka katup penutupan intake.
 4. Buka katup inlet.
 5. Hidupkan pompa. Jika tekanan manifold menunjukkan vakum -0,09 hingga -0,1 MPa dalam 30 detik, berarti pompa beroperasi dengan benar.
 6. Matikan pompa.

Pengoperasian

► Gambar 7:

1. Pompa vakum
 2. Katup penutupan intake
 3. Selang pengisian daya (kuning)
 4. Manifold
 5. Katup samping bawah
 6. Pengukur tekanan rendah
 7. Katup samping atas
 8. Selang pengisian daya (biru)
 9. Port servis (Sisi tekanan rendah)
 10. Unit luar ruangan
1. Sambungkan pompa, manifold, dan unit luar ruangan dengan selang.

CATATAN: Bila ukuran port servis pada unit adalah 1/4", gunakan adapter dengan diameter berbeda yang tersedia.

2. Pastikan katup samping atas dan bawah pada manifold telah tertutup.
3. Pasang baterai pada pompa. (Lihat "Memasang atau melepas kartrid baterai" untuk metode pemasangan.)
4. Hidupkan pompa. Lampu LED (hijau) akan menyala.
5. Buka katup penutupan intake pada pompa dan katup samping bawah pada manifold.

⚠PERINGATAN: Pompa akan menjadi panas selama pengoperasian dan segera setelah dihentikan. Jangan sentuh pompa saat panas. Tindakan tersebut dapat mengakibatkan luka bakar atau kecelakaan lainnya.

CATATAN: Motor mungkin tidak beroperasi bila dingin (5°C atau kurang). Jika demikian, bawa pompa ke dalam ruangan dan biarkan menghangat.

6. Bila vakum yang ditentukan (lihat petunjuk yang diberikan oleh produsen penyejuk udara) telah tercapai, tutup katup samping bawah pada manifold.
7. Tutup katup penutupan intake dan matikan pompa.

Uji kedap udara

Tidak ada kebocoran jika tekanan manifold tidak meningkat selama 5 menit atau lebih setelah meninggalkan pompa dan manifold.

CATATAN: Bila kapasitas tersisa pada baterai rendah, lampu LED akan mati, lalu pada saat yang sama bunyi alarm panjang akan terdengar. Sekitar dua menit berikutnya mesin akan berhenti. Selanjutnya bunyi alarm berubah menjadi bunyi bip berulang dengan interval singkat untuk memberi tahu Anda bahwa mesin telah berhenti, lalu 30 detik berikutnya bunyi bip berulang akan berhenti. Namun, jangan tunggu hingga mesin berhenti (atau alarm berbunyi dengan interval singkat), melainkan tutup katup inlet alat bantu dan katup sisi bertekanan rendah pada manifold.

Pastikan pompa telah dimatikan, keluarkan baterai, dan isi daya atau ganti dengan baterai cadangan.

- Lihat tabel berikut untuk waktu pengoperasian baterai.

Waktu pengoperasian (pedoman)

Baterai	Waktu pengoperasian
BL1860B	75 min
BL1850 / BL1850B	50 min
BL1840 / BL1840B	40 min
BL1830 / BL1830B	30 min

- Setelah selesai bekerja, keluarkan baterai dan pasang penutup yang tersedia.

PEMBERITAHUAN: Saat memindahkan, mengoperasikan, dan menyimpan alat bantu, jangan letakkan secara miring atau terbalik karena dapat mengakibatkan kebocoran oli yang berasal dari pengisian oli/penyumbat ventilasi.

PEMELIHARAAN

⚠PERHATIAN: Pastikan selalu pompa telah dimatikan dan kartrid baterai telah dilepas sebelum mencoba melakukan pemeriksaan atau pemeliharaan.

PEMBERITAHUAN: Jangan gunakan bensin, benzine, pengencer, alkohol, atau sejenisnya. Semua dapat mengakibatkan perubahan warna, perubahan bentuk, atau keretakan.

Untuk mempertahankan KEAMANAN dan KEANDALAN produk, perbaikan, pemeliharaan, atau penyesuaian lain apa pun harus dilakukan di Pusat Servis Resmi atau Pabrik Makita yang selalu menggunakan komponen pengganti Makita.

Memeriksa oli

► Gambar 8:

1. Garis tingkat
 2. Kaca pengamat
- Selalu periksa tingkat oli dan kondisi (penurunan kualitas, dll.) sebelum menggunakan pompa.

CATATAN: Tambahkan oli hingga tingkat oli berada di antara garis tingkat atas dan bawah pada kaca pengamat.

Mengganti oli

► Gambar 9:

1. Katup penutupan intake
 2. Sumbat kuras
1. Buka katup penutupan intake.
 2. Operasikan pompa selama 1 atau 2 menit untuk memanaskan oli.
 3. Matikan pompa.
 4. Lepaskan sumbat kuras dan kuras oli.
 5. Lihat "Menambah oli" dan tambahkan oli baru.
- Buang oli lama sesuai dengan peraturan setempat.

CATATAN: Sebaiknya ganti oli setelah 20 jam penggunaan untuk melindungi komponen pompa dari kontaminan yang masuk ke pompa.

Bila memvakum sistem refrigerasi lama, ganti oli setelah setiap penggunaan.

Membersihkan pompa

1. Bila oli sangat kotor, ganti oli, lalu operasikan pompa selama 3 hingga 5 menit.
2. Kuras oli dan tambahkan oli baru.
Jika oli yang dikuras masih kotor, ulangi proses pembersihan ini dua atau tiga kali.

AKSESORI OPSIONAL

⚠PERHATIAN: Aksesori atau perangkat tambahan tersebut disarankan untuk digunakan dengan alat Makita yang dijelaskan dalam panduan ini. Penggunaan aksesori atau perangkat tambahan lainnya dapat menimbulkan risiko cedera. Gunakan hanya aksesori atau perangkat tambahan untuk tujuan yang telah dijelaskan.

Jika Anda memerlukan bantuan untuk informasi lebih rinci tentang aksesori tersebut, hubungi Makita Service Center setempat.

- Baterai dan pengisi daya asli Makita
- Oli pompa vakum 150 ml
- Casing aluminium pompa vakum
- Selang pompa vakum
- Katup pompa vakum dengan pengukur

CATATAN: Beberapa item dalam daftar mungkin tersedia dalam kemasan alat sebagai aksesori standar. Item tersebut dapat berbeda di setiap negara.

CÁC THÔNG SỐ KỸ THUẬT

Kiểu:	DVP180
Hộp pin (dung lượng)	BL 1860B (6,0 Ah) BL 1850 / BL 1850B (5,0 Ah) BL 1840 / BL 1840B (4,0 Ah) BL 1830 / BL 1830B (3,0 Ah)
Điện áp định mức	D. C. 18 V
Máy bơm	Máy bơm quay giai đoạn đơn
Thay thế không khí tự nhiên	50 L/phút
Chân không tối thiểu	20 Pa
Dung lượng dầu	100 – 115 ml
Đường nạp	5/16" đầu nổi ren ngoài
Kích thước	263 mm (D) × 93 mm (R) × 172 mm (C)
Trọng lượng tịnh (với pin BL1850)	3,5 kg

- Do chương trình nghiên cứu và phát triển không ngừng của chúng tôi, những thông số kỹ thuật trong tài liệu này có thể thay đổi mà không báo trước.
- Các thông số kỹ thuật và hộp pin có thể thay đổi trong từng quốc gia.
- Trọng lượng, bao gồm cả hộp pin, theo Quy trình EPTA tháng 01/2003

Các ký hiệu

Dưới đây là các ký hiệu được sử dụng cho thiết bị. Hãy đảm bảo chắc rằng bạn hiểu rõ ý nghĩa của chúng trước khi sử dụng.



- Đọc hướng dẫn sử dụng.



- Cảnh báo: bề mặt nóng!
Không được chạm vào xung quanh biểu tượng này.
Chạm vào bề mặt này có thể gây cháy nổ hoặc thương tích.



- Chỉ dành cho các quốc gia Châu Âu
Không được vứt bỏ thiết bị điện hoặc hộp pin cùng với vật liệu rác thải sinh hoạt!
Tuân thủ Chỉ thị Châu Âu về Rác thải từ Thiết bị Điện và Điện tử, Pin và Bình Ắc quy cũng như Rác thải Pin và Bình Ắc quy và việc thực hiện chúng phù hợp với luật pháp quốc gia, thiết bị điện và pin và hộp pin đã đạt tới giới hạn tuổi thọ của chúng phải được thu thập riêng và đưa trả lại nhà máy tái chế tương thích với môi trường.

Cảnh báo an toàn chung của dụng cụ máy

⚠ CẢNH BÁO: Đọc tất cả các cảnh báo và hướng dẫn an toàn. Không tuân thủ các hướng dẫn và cảnh báo này có thể dẫn đến điện giật, hỏa hoạn và/hoặc thương tích nghiêm trọng.

Lưu lại tất cả các cảnh báo và hướng dẫn để tham khảo sau này.

Thuật ngữ “power tool” (dụng cụ máy) trong các cảnh báo liên quan tới dụng cụ máy (có dây) được điều khiển bằng điện hoặc dụng cụ máy (không dây) được điều khiển bằng pin.

An toàn cho khu vực làm việc

1. **Giữ cho khu vực làm việc luôn sạch sẽ và sáng sủa.** Những khu vực tối hoặc bừa bộn sẽ xảy ra các tai nạn.
2. **Không được vận hành dụng cụ máy trong không khí dễ nổ, như có sự xuất hiện của chất lỏng dễ cháy, khí ga hoặc bụi bản.** Những dụng cụ máy tạo ra tia lửa có thể bắt lửa các bụi bản hoặc khói.
3. **Giữ cho trẻ em và những người ở xung quanh đứng cách xa trong khi đang vận hành một dụng cụ máy.** Sự sao lãng cũng khiến cho bạn mất kiểm soát.

An toàn về điện

4. **Các phích cắm dụng cụ máy phải phù hợp với ổ cắm. Không được thay đổi phích cắm bằng mọi cách. Không được sử dụng bất kỳ phích cắm chuyên đổi nào với các dụng cụ máy được nối đất (tiếp đất).** Các phích cắm không bị biến đổi và các ổ cắm phù hợp sẽ giảm nguy cơ điện giật.
5. **Tránh tiếp xúc cơ thể với các bề mặt nổi đất hoặc tiếp đất chẳng hạn như các đường ống, bộ tản nhiệt và tủ lạnh.** Có nguy cơ điện giật tăng nếu cơ thể bạn được nối đất hoặc tiếp đất.
6. **Không được phơi các dụng cụ máy ra ngoài trời mưa hoặc các điều kiện ẩm ướt.** Nước đi vào dụng cụ máy sẽ gia tăng nguy cơ điện giật.

7. **Không được lạm dụng dây điện. Không được sử dụng dây điện để mang, kéo hoặc tháo phích cắm dụng cụ máy. Giữ dây điện tránh xa khỏi nguồn nhiệt, dầu và các cạnh sắc hoặc các bộ phận di chuyển. Các dây điện bị hư hỏng hoặc bị rách sẽ gia tăng nguy cơ điện giật.**
8. **Khi vận hành một dụng cụ máy ở ngoài trời, hãy sử dụng một dây điện kéo dài phù hợp cho việc sử dụng ngoài trời. Việc sử dụng một dây điện phù hợp ở ngoài trời sẽ làm giảm nguy cơ điện giật.**
9. **Nếu vận hành một dụng cụ máy ở một nơi ẩm ướt là không thể tránh khỏi, hãy sử dụng một nguồn cấp được bảo vệ của thiết bị ngắt mạch khi hệ thống tiếp đất lỗi (GFCI). Việc sử dụng một GFCI sẽ làm giảm nguy cơ điện giật.**
19. **Ngắt phích cắm khỏi nguồn điện và/hoặc hộp pin khỏi dụng cụ máy trước khi tiến hành bất kỳ chỉnh sửa, thay thế phụ kiện hoặc cất trữ dụng cụ máy. Những biện pháp an toàn phòng ngừa như vậy sẽ làm giảm nguy cơ khởi động dụng cụ máy một cách ngẫu nhiên.**
20. **Cất trữ dụng cụ máy không hoạt động khỏi tầm tay của trẻ nhỏ và không cho phép những người không quen với dụng cụ máy hoặc những hướng dẫn này vận hành dụng cụ máy. Dụng cụ máy sẽ trở nên nguy hiểm trong tay những người sử dụng không có kinh nghiệm.**
21. **Bảo quản dụng cụ máy. Kiểm tra tình trạng lệch trục hoặc bộ kẹp của các bộ phận di chuyển, làm vỡ các bộ phận hoặc bất kỳ điều kiện nào khác có thể làm ảnh hưởng đến quy trình vận hành của dụng cụ máy. Nếu bị hư hỏng, hãy đem dụng cụ máy đi sửa chữa trước khi sử dụng. Rất nhiều tai nạn đã xảy ra do các dụng cụ máy được bảo trì kém.**

An toàn Cá nhân

10. **Đặt cảnh báo, xem bạn đang làm gì và sử dụng trí óc khi vận hành một dụng cụ máy. Không được sử dụng một dụng cụ máy khi bạn đang mệt mỏi hoặc đang chịu ảnh hưởng của chất gây nghiện, các chất có cồn hoặc được phẩm. Một khoảnh khắc không chú ý khi đang vận hành dụng cụ máy cũng có thể gây ra thương tích cá nhân nghiêm trọng.**
11. **Sử dụng thiết bị bảo vệ cá nhân. Luôn đeo kính bảo vệ mắt. Thiết bị bảo vệ như mặt nạ chống bụi, giày an toàn chống trượt, mũ bảo hộ lao động hoặc thiết bị bảo vệ tai được sử dụng cho những điều kiện phù hợp sẽ làm giảm thương tích cá nhân.**
12. **Tránh khởi động dụng cụ máy không chủ ý. Đảm bảo công tắc đặt ở vị trí tắt trước khi kết nối với nguồn điện và/hoặc hộp pin, cầm lên hoặc mang theo dụng cụ. Mang theo dụng cụ máy dùng ngón tay để bật công tắc hoặc vận hành dụng cụ máy có công tắc bật khi xảy ra tai nạn.**
13. **Tháo bất kỳ chìa vận điều chỉnh hoặc cờ lê nào trước khi bật dụng cụ máy. Một cờ lê hoặc một chìa vận còn sót lại được gắn vào một bộ phận xoay của dụng cụ máy có thể gây ra thương tích cá nhân.**
14. **Không được vượt quá. Giữ chỗ để chân ở vị trí phù hợp và cân bằng mọi lúc. Điều này cho phép điều khiển dụng cụ máy tốt hơn trong những tình huống không mong đợi.**
15. **Ăn mặc đúng quy cách. Không được mặc quần áo rộng hoặc đeo trang sức lỏng lẻo. Giữ cho tóc, quần áo và găng tay của bạn cách xa các vận đang di chuyển. Quần áo rộng, trang sức lỏng lẻo hoặc tóc để dài có thể sẽ bị mắc vào các vật đang di chuyển.**
16. **Nếu các thiết bị được cung cấp để kết nối việc hút bụi và thu gom bụi, hãy đảm bảo rằng những thiết bị này được kết nối và sử dụng đúng cách. Việc sử dụng thiết bị thu gom bụi có thể làm giảm nguy hiểm liên quan đến bụi.**
22. **Giữ cho các dụng cụ cắt luôn sắc và sạch sẽ. Các dụng cụ cắt được bảo trì đúng cách với các lưỡi cắt sắc có ít khả năng bị kẹt và dễ dàng điều khiển.**
23. **Sử dụng dụng cụ máy, các phụ kiện và đầu dụng cụ cắt v.v... theo những hướng dẫn này, xem xét các điều kiện làm việc và công việc sẽ được thực hiện. Việc sử dụng dụng cụ máy để vận hành khác với những quy trình vận hành dự kiến có thể gây ra tình huống nguy hiểm.**

Sử dụng và bảo quản pin

24. **Sạc lại chỉ với bộ sạc do nhà sản xuất quy định. Một bộ sạc phù hợp cho một loại hộp pin này có thể gây ra rủi ro hỏa hoạn khi được sử dụng với một hộp pin khác.**
25. **Sử dụng dụng cụ máy chỉ với hộp pin được chỉ định riêng. Sử dụng bất kỳ hộp pin nào khác đều có thể gây ra nguy cơ thương tích hoặc hỏa hoạn.**
26. **Khi không còn sử dụng đến hộp pin nữa, hãy giữ nó cách xa khỏi những vật kim loại khác, như kẹp giấy, đồng xu, chìa khóa, cắt móng tay, đinh vít hoặc những vật kim loại nhỏ khác, mà có thể tạo ra kết nối từ đầu cực này đến đầu cực khác. Ngắn mạch các đầu cực pin cùng nhau có thể gây nổ hoặc hỏa hoạn.**
27. **Dưới những điều kiện lạm dụng, chất lỏng có thể bị phóng ra khỏi pin; hãy tránh tiếp xúc. Nếu tình cờ bị tiếp xúc với những chất này, hãy rửa sạch bằng nước. Nếu chất lỏng tiếp xúc vào mắt, hãy đến các cơ sở y tế. Chất lỏng bắn ra khỏi pin có thể gây đánh lửa hoặc nổ.**

Bảo dưỡng

28. **Dụng cụ máy của bạn phải được bảo dưỡng bởi một người sửa chữa có trình độ chỉ sử dụng những bộ phận thay thế đồng nhất. Điều này sẽ luôn đảm bảo cho độ an toàn của dụng cụ máy.**
29. **Làm theo hướng dẫn cho việc bôi trơn và thay thế các phụ tùng.**
30. **Giữ tay khô, sạch sẽ và không dính dầu nhớt.**

Sử dụng và bảo quản dụng cụ máy

17. **Không được dùng lực mạnh với dụng cụ máy. Sử dụng dụng cụ máy chính xác cho ứng dụng của bạn. Dụng cụ máy chính xác sẽ khiến công việc được tiến hành tốt hơn và an toàn hơn theo giá trị định mức được thiết kế của nó.**
18. **Không được sử dụng dụng cụ máy nếu không thể dùng công tắc để bật hoặc tắt nó. Bất kỳ dụng cụ máy nào không thể điều khiển được bằng công tắc đều gây nguy hiểm và phải được sửa chữa.**

Cảnh báo an toàn máy bơm chân không dùng pin

1. Dụng cụ máy là một máy được sử dụng để hút chân không thiết bị làm lạnh, điều hòa không khí và các bình cứu hộ. Không được sử dụng nó cho những ứng dụng khác. Làm như vậy có thể sẽ gây ra tai nạn.
2. Luôn luôn kiểm tra dụng cụ máy xem có bị rò rỉ dầu không trước khi sử dụng. Không làm như vậy có thể sẽ gây hỏa hoạn.
3. Kiểm tra mức dầu và điều kiện (hư hỏng, v.v...) để khiến công việc trở nên an toàn và hiệu quả.
4. Dụng cụ máy này có thể không đạt được đầy đủ hiệu suất trong những môi trường cực nóng hoặc cực lạnh.

GIỮ GÌN CÁC HƯỚNG DẪN NÀY

⚠CẢNH BÁO: KHÔNG ĐƯỢC sử dụng thoải mái hoặc thói quen với sản phẩm (tăng dần thông qua nhiều lần sử dụng) làm giảm sự tuân thủ chặt chẽ các nguyên tắc an toàn đối với sản phẩm này.

SỬ DỤNG SAI hoặc không tuân thủ các quy tắc về an toàn được nêu trong hướng dẫn sử dụng có thể gây thương tích cá nhân nghiêm trọng.

Các hướng dẫn an toàn quan trọng cho hộp pin

1. Trước khi sử dụng hộp pin, hãy đọc toàn bộ hướng dẫn và các dấu hiệu cảnh báo trên (1) bộ sạc pin, (2) pin và (3) sản phẩm sử dụng pin.
2. Không được tháo rời hộp pin.
3. Nếu thời gian vận hành trở nên quá ngắn, hãy dừng vận hành ngay lập tức. Nó có thể gây ra nguy cơ quá nhiệt, có thể gây cháy và thậm chí là một vụ nổ lớn.
4. Nếu chất điện phân rơi vào trong mắt, hãy rửa sạch chúng bằng nước sạch và đến cơ sở y tế ngay. Nó có thể gây mất thị lực của bạn.
5. Không được ngắn mạch hộp pin:
 - (1) Không được chạm vào các đầu cực bằng bất kỳ vật liệu dẫn điện nào.
 - (2) Tránh cất trữ hộp pin trong một thùng đựng có chứa các vật bằng kim loại như cất móng tay, đồng xu, v.v...
 - (3) Không được phơi hộp pin ra ngoài nước hoặc trời mưa.Hiện tượng ngắn mạch pin có thể gây ra một dòng điện lớn, quá nhiệt, có thể gây cháy nổ và thậm chí bị hỏng máy.
6. Không được cất trữ dụng cụ máy và hộp pin ở những nơi có nhiệt độ có thể đạt tới hoặc vượt quá 50°C.
7. Không được đốt hộp pin ngay cả khi nó bị hư hỏng nặng hoặc hoàn toàn bị mòn và không còn sử dụng được. Hộp pin có thể phát nổ trong lửa.

8. Chú ý cẩn thận không được làm rơi hoặc đập mạnh vào pin.
9. Không được sử dụng một pin đã bị hư hỏng.
10. Làm theo những quy tắc tại địa phương của bạn có liên quan đến việc vứt bỏ pin.

GIỮ GÌN CÁC HƯỚNG DẪN NÀY

⚠CHÚ Ý: Chỉ sử dụng pin Makita chính hãng. Sử dụng pin Makita không chính hãng, hoặc pin đã bị biến đổi, có thể khiến pin phát nổ gây hỏa hoạn, thương tích cá nhân và hư hỏng. Việc bảo hành của Makita đối với dụng cụ và bộ sạc sẽ không có hiệu lực cho các trường hợp này.

Các mẹo duy trì tuổi thọ pin tối đa

1. Sạc hộp pin trước khi nó hoàn toàn cạn kiệt. Luôn dừng vận hành dụng cụ máy và sạc hộp pin khi bạn thấy nguồn điện của dụng cụ ít hơn.
2. Không được sạc lại một hộp pin đã được sạc đầy đủ. Sạc quá sẽ làm ngắn tuổi thọ của pin.
3. Sạc hộp pin trong nhiệt độ phòng từ 10°C - 40°C. Để cho nguội một hộp pin nóng trước khi sạc nó.
4. Sạc hộp pin nếu bạn không sử dụng nó trong một khoảng thời gian dài (nhiều hơn sáu tháng).

MÔ TẢ BỘ PHẬN

► Hình 1:

- | | |
|----------------------------|-------------------|
| 1. Kính kiểm soát | 7. Công tắc nguồn |
| 2. Nắp đậy miệng đổ/xả dầu | 8. Đèn LED |
| 3. Van đóng đường nạp | 9. Động cơ |
| 4. Tay quay | 10. Đế |
| 5. Giá đỡ pin | 11. Bình đựng Dầu |
| 6. Pin | 12. Núm xả |

MÔ TẢ CHỨC NĂNG

⚠CHÚ Ý: Luôn đảm bảo chắc rằng máy bơm được tắt và hộp pin được tháo rời trước khi điều chỉnh hoặc kiểm tra chức năng trên máy bơm.

Lắp đặt hoặc tháo rời hộp pin

⚠CHÚ Ý: Luôn tắt máy bơm trước khi lắp đặt hoặc tháo rời hộp pin.

⚠CHÚ Ý: Giữ chắc máy bơm và hộp pin khi lắp đặt hoặc tháo rời hộp pin. Không giữ chắc máy bơm và hộp pin có thể khiến chúng trượt khỏi tay bạn và gây hư hỏng cho máy bơm và hộp pin và gây ra thương tích cá nhân.

► Hình 2:

1. Đèn chỉ báo đỏ
2. Nút
3. Hộp pin

Đề tháo hộp pin, hãy trượt nó ra khỏi máy bơm trong khi trượt nút phía trước hộp đựng.

Đề lắp hộp pin, chỉnh thẳng lưỡi trên hộp pin với rãnh trong vỏ và trượt nó vào vị trí. Gắn nó vào hoàn toàn cho đến khi nó khóa vào vị trí với một tiếng tách nhỏ. Nếu bạn có thể nhìn thấy đèn chỉ báo màu đỏ trên mặt trên của nút, có nghĩa là nó chưa được khóa hoàn toàn.

⚠ CHÚ Ý: Luôn lắp hoàn toàn hộp pin cho đến khi không thể nhìn thấy đèn chỉ báo màu đỏ. Nếu không, nó có thể tình cờ rơi khỏi máy bơm, gây thương tích cho bạn hoặc ai đó xung quanh bạn.

⚠ CHÚ Ý: Không được lắp hộp pin quá mạnh. Nếu hộp pin không trượt dễ dàng, nó có thể đã được gắn không chính xác.

Hệ thống bảo vệ pin

► Hình 3:

1. Đánh dấu sao

Máy bơm được trang bị với một hệ thống bảo vệ pin. Hệ thống này tự động cắt điện cho động cơ để kéo dài tuổi thọ pin.

Máy bơm sẽ tự động dừng trong khi vận hành nếu máy bơm và/hoặc pin được đặt dưới một trong những điều kiện sau:

Quá tải:

Máy bơm được vận hành theo cách khiến nó sinh ra một dòng điện cao bất thường.

Trong trường hợp này, hãy tắt máy bơm và dừng công việc khiến máy bơm trở nên quá tải. Sau đó bật máy bơm lên để khởi động lại.

Nếu máy bơm không khởi động, pin sẽ bị quá nhiệt.

Trong trường hợp này, hãy để pin nguội trước khi bật lại máy bơm.

Điện áp pin thấp:

Dung lượng pin còn lại quá thấp và máy bơm sẽ không vận hành. Trong trường hợp này, hãy tháo và sạc lại pin.

GHI CHÚ: Bảo vệ quá nhiệt chỉ hoạt động khi hộp pin có một dấu sao.

Chỉ báo dung lượng pin còn lại

Chỉ dành cho những hộp pin có "B" tại phần cuối của số mô-đen

► Hình 4:

1. Đèn bộ chỉ báo
2. Nút kiểm tra

Nhấn vào nút kiểm tra trên hộp pin để chỉ báo dung lượng pin còn lại. Đèn bộ chỉ báo sáng lên trong vài giây.

Đèn bộ chỉ báo			Dung lượng còn lại
Đã bật đèn	Tắt	Nhấp nháy	
			75% đến 100%
			50% đến 75%
			25% đến 50%
			0% đến 25%
			Sạc pin.
			Pin có thể đã bị hư hỏng.

GHI CHÚ: Tùy thuộc vào các điều kiện sử dụng và nhiệt độ xung quanh, chỉ báo có thể thay đổi đôi chút với dung lượng thực tế.

QUÁ TRÌNH VẬN HÀNH

Máy bơm không chứa dầu khi mới mua. Tham khảo "Thêm dầu" và thêm dầu.

⚠ CẢNH BÁO: Vận hành máy bơm trong điều kiện không có dầu bổ sung sẽ làm hư hỏng máy bơm. Thêm vào đó, bình đựng dầu sẽ trở nên nóng và có thể gây cháy nổ hoặc các tai nạn khác.

Thêm dầu

► Hình 5:

1. Nắp đậy miệng đổ/xả dầu
2. Đường mức
3. Kính kiểm soát
4. Bình đựng Dầu

1. Tháo nắp đậy miệng đổ/xả dầu và thêm dầu được cấp qua cổng bộ lọc.

THÔNG BÁO: Luôn sử dụng dầu chính hãng Makita để duy trì hiệu suất của máy bơm.

2. Thêm dầu cho đến khi mức dầu ở giữa đường mức trên và đường mức dưới của kính kiểm soát.

THÔNG BÁO: Mức dầu là rất quan trọng. Vận hành máy bơm trong điều kiện với mức dầu không nằm trong khoảng giữa đường mức trên và đường mức dưới có thể dẫn đến hư hỏng.

Kiểm tra hiệu suất làm việc

► Hình 6:

1. Đường nạp
 2. Van hạ áp
 3. Bơm chân không
 4. Ống góp
1. Nối van hạ áp của ống góp và cổng nạp của máy bơm với một đường ống nạp.
 2. Đóng van hạ áp của ống góp lại.
 3. Mở van đóng đường nạp.
 4. Mở van nạp ra.
 5. Bật máy bơm lên. Nếu áp suất của ống góp cho thấy một chân không từ $-0,09$ đến $-0,1$ MPa trong vòng 30 giây, có nghĩa là máy bơm đang vận hành đúng.
 6. Tắt máy bơm.

Quy trình vận hành

► Hình 7:

1. Bơm chân không
 2. Van đóng đường nạp
 3. Đường ống nạp (màu vàng)
 4. Ống góp
 5. Van hạ áp
 6. Đồng hồ đo áp suất thấp
 7. Van cao áp
 8. Đường ống nạp (màu xanh)
 9. Cổng dịch vụ (bên hạ áp)
 10. Bộ phận bên ngoài
1. Nối máy bơm, ống góp và bộ phận bên ngoài bằng các đường ống.

GHI CHÚ: Khi kích cỡ của cổng kết nối trên máy bơm là 1/4", hãy sử dụng các đầu nối có đường kính khác nhau được cung cấp.

2. Kiểm tra xem các van cao áp và hạ áp của ống góp có được đóng không.
3. Lắp pin vào máy bơm. (Xem "Lắp đặt hoặc tháo rời hộp pin" để biết cách thức lắp đặt.)
4. Bật máy bơm lên. Đèn LED (màu xanh lục) bật sáng.
5. Mở van đóng đường nạp của máy bơm và van hạ áp của ống góp.

⚠ CẢNH BÁO: Máy bơm trở nên nóng trong suốt quá trình vận hành và ngay sau khi dừng. Không được chạm vào máy bơm khi nó đang nóng. Làm như vậy có thể dẫn đến cháy nổ hoặc các tai nạn khác.

GHI CHÚ: Động cơ có thể không vận hành khi nó bị lạnh (5°C hoặc ít hơn). Trong những trường hợp này, hãy mang máy bơm vào trong nhà và làm cho nó ấm lên.

6. Khi đã đạt tới chân không theo quy định (tham khảo sách hướng dẫn được cung cấp bởi nhà sản xuất điều hòa không khí), hãy đóng van hạ áp của ống góp.
7. Đóng van đóng đường nạp và tắt máy bơm.

Kiểm tra độ không lọt khí

Không có rò rỉ nếu áp suất của ống góp không tăng lên trong 5 phút hoặc nhiều hơn sau khi ngừng máy bơm và ống góp.

GHI CHÚ: Khi dung lượng còn lại của pin trở nên thấp, đèn LED sẽ bật sáng và cùng lúc đó tiếng bip cảnh báo dài bắt đầu kêu. Khoảng hai phút sau đó động cơ ngừng hoạt động. Và rồi tiếng bip báo động chuyển thành tiếng bip lặp lại ngắn để thông báo rằng động cơ đã ngừng hoạt động và 30 giây sau đó tiếng bip sẽ dừng kêu. Tuy nhiên, không được chờ cho đến khi động cơ dừng hẳn (hoặc tiếng bip cảnh báo chuyển thành tiếng bip ngắn), thay vì đó hãy đóng van nạp của dụng cụ và van hạ áp của ống góp.

Kiểm tra xem máy bơm đã tắt chưa, tháo rời pin và sạc nó hoặc thay nó bằng một pin dự phòng.

- Tham khảo bảng sau cho thời gian vận hành pin.

Thời gian vận hành (hướng dẫn)

Pin	Thời gian vận hành
BL1860B	75 phút
BL1850 / BL1850B	50 phút
BL1840 / BL1840B	40 phút
BL1830 / BL1830B	30 phút

- Sau khi hoàn thành công việc, hãy tháo pin ra và gắn nắp đậy được cung cấp.

THÔNG BÁO: Khi vận chuyển, vận hành và cất trữ dụng cụ, không bao giờ được đặt nó lên trên cạnh của nó hoặc đặt úp xuống. Điều này có thể gây ra hiện tượng rò rỉ dầu từ bộ lọc dầu/chụp thông hơi.

BẢO TRÌ

⚠ CHÚ Ý: Luôn đảm bảo chắc rằng máy bơm được tắt và hộp pin được tháo rời trước khi có gắng thực hiện kiểm tra hoặc bảo trì.

THÔNG BÁO: Không được sử dụng xăng, ét-xăng, dung môi, cồn hoặc các chất tương tự. Hiện tượng phai màu, biến dạng hoặc nứt vỡ có thể xảy ra.

Để bảo trì sản phẩm AN TOÀN và ĐÁNG TIN CẬY, việc sửa chữa, bất kỳ bảo trì hoặc điều chỉnh nào khác nên được thực hiện bởi các Trung tâm Dịch vụ Nhà máy hoặc Công ty được Ủy quyền bởi Makita, luôn sử dụng các bộ phận thay thế của Makita.

Kiểm tra dầu

► Hình 8:

1. Đường mức
2. Kính kiểm soát

- Luôn kiểm tra mức dầu và điều kiện (hư hỏng, v.v...) trước khi sử dụng máy bơm.

GHI CHÚ: Thêm dầu cho đến khi mức dầu ở giữa đường mức trên và đường mức dưới của kính kiểm soát.

Thay dầu

► Hình 9:

1. Van đóng đường nạp
 2. Nút xả
1. Mở van đóng đường nạp.
 2. Vận hành máy bơm trong 1 hoặc 2 phút để làm ấm dầu.
 3. Tắt máy bơm.
 4. Tháo nút xả và xả dầu.
 5. Tham khảo “Thêm dầu” và thêm dầu mới.
- Vứt bỏ dầu cũ theo các quy tắc của địa phương.

GHI CHÚ: Chúng tôi khuyến cáo bạn nên thay dầu sau 20 giờ sử dụng để bảo vệ các bộ phận của máy bơm không cho các chất bẩn rơi vào trong máy bơm.

Khi hút chân không trên hệ thống làm lạnh cũ, hãy thay dầu sau mỗi lần sử dụng.

Làm sạch máy bơm

1. Khi dầu trở nên cực bẩn, hãy thay dầu và sau đó vận hành máy bơm trong 3 đến 5 phút.
2. Xả dầu và thêm dầu mới.
Nếu dầu xả vẫn bị bẩn, hãy lặp lại quy trình làm sạch này hai đến ba lần.

CÁC PHỤ KIỆN TỰ CHỌN

⚠ CHÚ Ý: Những phụ kiện hoặc phụ tùng được khuyến cáo để sử dụng với dụng cụ Makita của bạn được quy định rõ trong sách hướng dẫn này. Sử dụng bất kỳ phụ kiện hoặc phụ tùng nào khác có thể gây ra nguy cơ thương tích cá nhân. Chỉ sử dụng phụ kiện hoặc phụ tùng cho mục đích đã nêu của nó.

Nếu bạn cần bất kỳ sự hỗ trợ nào với thông tin chi tiết thêm liên quan đến những phụ kiện này, hãy hỏi Trung tâm Dịch vụ của Makita tại địa phương của bạn.

- Pin và bộ sạc chính hãng Makita
- Dầu bơm chân không 150 ml
- Vỏ nhôm máy bơm chân không
- Đường ống máy bơm chân không
- Van kèm đồng hồ đo máy bơm chân không

GHI CHÚ: Một vài đề mục trong danh sách này có thể đã bao gồm trong gói dụng cụ như các phụ kiện tiêu chuẩn. Chúng có thể thay đổi trong từng quốc gia.

ข้อมูลจำเพาะ

รุ่น:	DVP180
แบตเตอรี่ (ความจุ)	BL1860B (6.0 แอมป์ชั่วโมง) BL1850 / BL1850B (5.0 แอมป์ชั่วโมง) BL1840 / BL1840B (4.0 แอมป์ชั่วโมง) BL1830 / BL1830B (3.0 แอมป์ชั่วโมง)
พิกัดแรงดันไฟฟ้า	D.C. 18 โวลต์
บีม	บีมโรตารีแบบอัดตัวจังหวะเดียว
ความสามารถดึงอากาศ	50 ลิตร/นาที
ความสามารถทำสูญญากาศ	20 Pa
ความจุน้ำมัน	100 – 115 มล.
ท่อตัด	ข้อต่อแบบหัวแฟลร์เกลียวนอกขนาด 5/16"
ขนาด	263 มม. (ยาว) × 93 มม. (กว้าง) × 172 มม. (สูง)
น้ำหนักสุทธิ (รวมแบตเตอรี่ BL1850)	3.5 กก.

- เนื่องจากเรามีโปรแกรมวิจัยและพัฒนาอย่างต่อเนื่อง ข้อมูลจำเพาะในนี้อาจมีการเปลี่ยนแปลงได้โดยไม่ต้องแจ้งให้ทราบ
- ข้อมูลจำเพาะและแบตเตอรี่อาจแตกต่างกันไปในแต่ละประเทศ
- นำหนักรวมแบตเตอรี่ตามขั้นตอนใน EPTA-Procedure 01/2003

สัญลักษณ์

ภาพต่อไปนี้จะแสดงสัญลักษณ์ที่ใช้สำหรับอุปกรณ์นี้ ความเข้าใจความหมายของสัญลักษณ์เหล่านี้ก่อนใช้งาน



- อ่านคู่มือใช้งาน



- คำเตือน: พื้นผิวร้อน!
ห้ามสัมผัสบริเวณรอบสัญลักษณ์นี้ การสัมผัสพื้นผิวดังกล่าวอาจก่อให้เกิดรอยไหมหรือการบาดเจ็บได้



- สำหรับประเทศในกลุ่ม EU เท่านั้น
อย่าทิ้งอุปกรณ์ไฟฟ้าหรือแบตเตอรี่ร่วมกับของเสียในครัวเรือน!
เพื่อให้เป็นไปตามข้อกำหนดของยุโรปว่าด้วยอุปกรณ์ไฟฟ้าและอิเล็กทรอนิกส์ที่เป็นของเสีย รวมถึงแบตเตอรี่และตัวสะสมประจุ แบตเตอรี่และตัวสะสมประจุที่เป็นของเสีย ตลอดจนการนำไปใช้ตามกฎหมายในประเทศ อุปกรณ์ไฟฟ้ารวมทั้งแบตเตอรี่และชุดแบตเตอรี่ที่ถึงอายุสิ้นสุดการใช้งานแล้ว ต้องนำมาเก็บแยกต่างหากและส่งถึงสถานที่แปรรูปวัสดุรีไซเคิลที่เข้ากันได้กับสิ่งแวดล้อม

คำเตือนด้านความปลอดภัยสำหรับการใช้เครื่องมือไฟฟ้าทั่วไป

คำเตือน: โปรดอ่านคำเตือนและคำแนะนำด้านความปลอดภัยทั้งหมด การไม่ปฏิบัติตามคำเตือนและคำแนะนำเหล่านี้ อาจทำให้ถูกไฟดูด เกิดอัคคีภัยและ/หรือบาดเจ็บสาหัสได้

เก็บคำเตือนและคำแนะนำทั้งหมดไว้เพื่อใช้อ้างอิงในอนาคต

คำว่า "เครื่องมือไฟฟ้า" ในคำเตือน หมายถึง เครื่องมือไฟฟ้าที่ทำงานผ่านสายเมน (มีสาย) หรือแบตเตอรี่ (ไม่มีสาย)

ความปลอดภัยในบริเวณที่ทำงาน

1. รักษาบริเวณที่ทำงานให้สะอาดและมีแสงสว่างเพียงพอ บริเวณที่ทรงพลังหรือมีอาจนำมาซึ่งอุบัติเหตุได้
2. ห้ามใช้เครื่องมือไฟฟ้าในบริเวณที่อาจเกิดการระเบิด เช่น ในบริเวณที่มีของเหลวไวไฟ แก๊ส หรือฝุ่นละออง เครื่องมือไฟฟ้าจะทำให้เกิดประกายไฟที่อาจทำให้เกิดลวองไฟหรือเปลวไฟขึ้นได้
3. กันเด็กและผู้ไม่เกี่ยวข้องให้ออกห่างออกไปในขณะที่ใช้เครื่องมือไฟฟ้า การไม่มีความระมัดระวังอาจทำให้สูญเสียการควบคุมเครื่องมือ

ความปลอดภัยทางไฟฟ้า

4. ปลั๊กไฟของเครื่องต้องเป็นชนิดเดียวกันกับตัวรับ ห้ามตัดแปลงปลั๊กไฟไม่ว่าด้วยวิธีใดๆ ห้ามใช้ตัวแปลงให้กับเครื่องมือไฟฟ้าที่ต่อสายดิน (ลงกราวด์) ปลั๊กที่ไม่มีการตัดแปลงและตัวรับชนิดเดียวกันจะช่วยลดความเสี่ยงจากการถูกไฟดูด
5. หลีกเลี่ยงการสัมผัสพื้นผิวที่ต่อสายดินหรือสายกราวด์ เช่น ท่อ หมอน้ำ เตาหม้อต้มและตู้เย็น มีความเสี่ยงเพิ่มขึ้นที่จะถูกไฟดูดหากร่างกายเป็นสื่อเชื่อมต่อลงดิน
6. อย่าให้เครื่องมือไฟฟ้าถูกฝนหรือเปียกน้ำ น้ำที่เข้าเครื่องมือไฟฟ้าจะทำให้มีความเสี่ยงในการถูกไฟดูดเพิ่มขึ้น
7. ห้ามใช้สายไฟผิดวัตถุประสงค์ ห้ามใช้สายไฟเพื่อหิ้ว ดึง หรือถอดปลั๊กเครื่องมือไฟฟ้า เก็บสายไฟให้ห่างจากความร้อน น้ำมัน ของมีคม หรือชิ้นส่วนที่เคลื่อนที่ สายไฟที่ชำรุดหรือพันกันจะเพิ่มความเสี่ยงจากการถูกไฟดูด
8. เมื่อใช้เครื่องมือไฟฟ้ากลางแจ้ง ให้ใช้สายต่อพ่วงที่เหมาะสมสำหรับการใช้งานกลางแจ้งเพื่อลดความเสี่ยงในการถูกไฟดูด

- หากไม่สามารถหลีกเลี่ยงการใช้เครื่องมือไฟฟ้าในบริเวณที่ชื้นและไอน้ำ ให้ใช้แหล่งจ่ายไฟที่มีการป้องกันด้วยเครื่องตัดกระแสไฟฟ้ารั่วลงดิน (GFCI) การใช้ GFCI จะช่วยลดความเสี่ยงจากการถูกไฟดูด

ความปลอดภัยส่วนบุคคล

- ต้นตัวและมีสมาธิกับสิ่งที่คุณกำลังทำ รวมทั้งใช้สามัญสำนึกเมื่อใช้เครื่องมือไฟฟ้า ห้ามใช้เครื่องมือไฟฟ้าในขณะที่คุณกำลังเหนื่อยล้าหรือได้รับอิทธิพลจากยา แอลกอฮอล์ หรือการกริบมาจนอย่าง การขาดความระมัดระวังในการใช้เครื่องมือไฟฟ้าแม้ชั่วขณะหนึ่งอาจทำให้บาดเจ็บสาหัสได้
- ใช้อุปกรณ์ป้องกันส่วนบุคคล สวมอุปกรณ์ป้องกันดวงตาเสมอ อุปกรณ์ป้องกัน เช่น หน้ากากกันฝุ่น รองเท้ากันกร๊ากกันลื่น หมวกกันรีกหรืออุปกรณ์ป้องกันเสียงดังที่ใช้สำหรับสภาพที่เหมาะสมจะช่วยลดการเกิดการบาดเจ็บได้
- ป้องกันเครื่องเปิดทำงานโดยไม่ตั้งใจ สวิตช์ต้องอยู่ที่ตำแหน่งปิดก่อนเชื่อมต่อกับแหล่งจ่ายไฟ และ/หรือชุดแบตเตอรี่ หรือก่อนการยกหรือถือเครื่องมือ การยกเครื่องมือไฟฟ้าในขณะที่นิ้วอยู่ที่สวิตช์ หรือเสียบปลั๊กเครื่องมือไฟฟ้าในขณะที่สวิตช์เปิดอยู่ อาจทำให้เกิดอุบัติเหตุได้
- ถอดกุญแจปรับแต่งหรือประแจออกก่อนเปิดสวิตช์เครื่องมือไฟฟ้า ประแจหรือกุญแจที่เสียบคาไว้กับชิ้นส่วนที่กำลังหมุนของเครื่องมือไฟฟ้าอาจทำให้ได้รับบาดเจ็บได้
- ห้ามยื่นแขนง่า ขนง่าใช้เครื่องมือ ควกรีนในท่าที่เหมาะสมและสมดุลตลอดเวลา เพื่อช่วยให้สามารถควบคุมเครื่องมือไฟฟ้าได้ดียิ่งขึ้นในสถานการณ์ที่ไม่คาดคิด
- แต่งกายให้เหมาะสม ห้ามสวมเสื้อผ้าหนาหรือใส่เครื่องประดับ รวมทั้งผม เก็บข่าเสื้อผ่า และถุงมือในท่างจากชิ้นส่วนที่กำลังหมุน เสื้อผ่าที่หลวมหรือยาว รุ่มร่าม เครื่องประดับ หรือเส้นผมที่ยาวอาจเข้าไปพันกับชิ้นส่วนที่กำลังหมุน
- หากมีอุปกรณ์ใส่หกร็บและรวบรวมเศษฝุ่นมา ให้เพื่อสวมต่อเข้ากับเครื่อง ต้องเชื่อมต่อกอุปกรณ์เหล่านั้นและนำมาใช้งนอย่างเหมาะสม การใช้ อุปกรณ์เก็บฝุ่นจะช่วยลดอันตรายที่เกิดจากฝุ่นละอองได้

การใช้และการดูแลรักษาเครื่องมือไฟฟ้า

- ห้ามฝืนใช้เครื่องมือไฟฟ้า เลือกใช้เครื่องมือไฟฟ้าที่ถูกต้องตรงกับลักษณะการใช้งานของท่าน เครื่องมือไฟฟ้าที่ถูกดองยอมนทำงานได้ดีกว่าและปลอดภัยกว่าในอัตราที่เครื่องมือได้รับการออกแบบมา
- ห้ามใช้เครื่องมือไฟฟ้าที่กำสวิตช์เปิดปิดเครื่องไม่ทำงาน เครื่องมือไฟฟ้าที่ไม่สามารถควบคุมผ่านสวิตช์ได้ ถือว่ามีความอันตรายและต้องได้รับการซ่อมแซม
- ถอดปลั๊กของเครื่องมือไฟฟ้าออกจากแหล่งจ่ายไฟ และ/หรือถอดแบตเตอรี่ออกจากเครื่องมือไฟฟ้า ก่อนทำการปรับ เปลี่ยนอุปกรณ์เสริมหรือจัดเก็บเครื่องมือ มาตรการเพื่อความปลอดภัยเชิงการป้องกันนี้จะช่วยลดความเสี่ยงในการเปิดเครื่องให้ทำงานโดยไม่ตั้งใจ
- เก็บเครื่องมือไฟฟ้าที่พร้อมใช้งานไว้ให้พ้นมือเด็ก และไมอนุญาตให้บุคคลที่ไม่คุ้นเคยกับเครื่องมือไฟฟ้าหรือคำแนะนำเหล่านี้เป็นผู้ใช้เครื่องมือ เครื่องมือไฟฟ้าจะเป็นอันตรายหากอยู่ในมือผู้ที่ไม่มีความชำนาญในการใช้
- บำรุงรักษาเครื่องมือไฟฟ้า ตรวจสอบการวางตำแหน่งหรือการติดตั้งของชิ้นส่วนที่เคลื่อนที่ ชิ้นส่วนที่ชำรุดและสภาพอื่นๆ ที่อาจส่งผลกระทบต่อการทำงานของเครื่องมือไฟฟ้า หากชำรุดเสียหาย ให้ส่งซ่อมก่อนนำมาใช้ อุบัติเหตุจำนวนมากเกิดจากการดูแลรักษาเครื่องมือไฟฟ้าไม่ตพ

- เครื่องมือตัดต่อคัมและสะอาดอยู่เสมอ เครื่องมือตัดที่ได้รับการดูแลรักษาที่เหมาะสมและมีขอบตัดที่คมจะมีโอกาสตัดขีดน้อยลง และควบคุมได้ง่ายขึ้น
 - ใช้เครื่องมือไฟฟ้า อุปกรณ์เสริมและชุดอุปกรณ์ต่างๆ ให้สอดคล้องกับคำแนะนำเหล่านี้ โดยพิจารณาถึงสภาพการทำงานและงานที่ท่านทำเป็นสำคัญ การใช้เครื่องมือไฟฟ้าทางานอื่นนอกเหนือจากที่กำหนดไว้อาจทำให้เกิดอันตรายได้
- การใช้และการดูแลรักษาเครื่องมือที่ใช้แบตเตอรี่**
- ชาร์จแบตเตอรี่ด้วยเครื่องชาร์จที่ผู้ผลิตแนะนำเท่านั้น เครื่องชาร์จที่เหมาะสมกับก่อนแบตเตอรี่แบบหนึ่งอาจเสี่ยงต่อการทำให้เกิดไฟไหม้ได้ หากนำมาใช้ร่วมกับก่อนแบตเตอรี่อีกแบบหนึ่ง
 - ใช้เครื่องมือไฟฟ้าเฉพาะกับก่อนแบตเตอรี่ที่ออกแบบมาเป็นพิเศษเท่านั้น การใช้ก่อนแบตเตอรี่แบบอื่นอาจทำให้เกิดการบาดเจ็บหรือเกิดเพลิงไหม้ได้
 - เมื่อไม่ใช้ก่อนแบตเตอรี่ ให้เก็บออกห่างจากรีดยอื่นๆ ที่เป็นโลหะ เช่น คลิปหนีบกระดาษ เหรียญ กุญแจ ตะปู สกรูหรือวัตถุขนาดเล็กอื่นๆ ที่ทำจากโลหะที่อาจทำให้เกิดการเชื่อมตอจากขั้วหนึ่งไปอีกรั้วหนึ่ง การลัดวงจรบริเวณขั้วแบตเตอรี่อาจทำให้เกิดรอยไหม้หรือเพลิงไหม้ได้
 - เมื่ออยู่ภายใต้สภาวะที่ไม่เหมาะสมอาจมีของเหลวไหลออกมาจากแบตเตอรี่ ให้หลีกเลี่ยงการสัมผัสกับส่วนของเหลวนี้ ให้ล้างออกด้วยน้ำสะอาดหากมีการสัมผัสกับของเหลวนี้ หากของเหลวกระเด็นเข้าตา ควรรีบไปพบแพทย์ ของเหลวที่ออกมาจากแบตเตอรี่อาจทำให้เกิดอาการระคายเคืองหรือรอยไหม้ได้

การบริการ

- ให้ช่างซ่อมที่มีความเชี่ยวชาญเป็นผู้ซ่อมเครื่องมือ และใช้เฉพาะอะไหล่เท่านั้น ซึ่งจะช่วยรับประกันได้ว่าเครื่องมือไฟฟ้ายังมีความปลอดภัยอยู่เสมอ
- ปฏิบัติตามคำแนะนำในการหลอสนและการเปลี่ยนอุปกรณ์เสริม
- มีถังจับตองแห้ง สะอาด และปราศจากน้ำมันและจาระบี

คำเตือนด้านความปลอดภัยสำหรับปืมสัญญาณคตแบบไร้สาย

- เครื่องมือไฟฟ้านี้เป็นเครื่องยนต์ที่ใช้ในการไลอากาศจากระบบทำความเย็นรวมทั้งเครื่องปรับอากาศและเรื่อเก็บกั ห้ามใช้เครื่องมือนี้ในลักษณะอื่น การกระทำดังกล่าวอาจส่งผลให้เกิดอุบัติเหตุได้
- หมั่นตรวจสอบการรั่วไหลของน้ำมันจากเครื่องมือไฟฟ้าก่อนการใช้งาน หากไม่เช่นนั้นอาจก่อให้เกิดเพลิงไหม้ได้
- ตรวจสอบสภาพและระดับของน้ำมัน (การส้อมสภาพ เป็นต้น) เพื่อให้ทำงานได้อย่างปลอดภัยและมีประสิทธิภาพ
- ในสภาพที่มีอากาศร้อนจัดหรือหนาวจัด เครื่องอาจมีประสิทธิภาพการทำงานไม่เพียงพอ

เก็บคู่มือแนะนำนี้ไว้

คำเตือน: อย่าปล่อยให้ความสะดกสบายหรือความคุ้นเคยกับผลิตภัณฑ์ (ที่มาจากการใช้งานซ้ำๆ) มาแทนที่การยัดมั่นในกฎเกณฑ์ด้านความปลอดภัยสำหรับผลิตภัณฑ์นี้

การใช้งานไม่ถูกวิธีหรือการไม่ปฏิบัติตามกฎเกณฑ์ด้านความปลอดภัยที่ตามระบุไว้ในคู่มือใช้งานนี้อาจทำให้ได้รับบาดเจ็บสาหัสได้

คำแนะนำสำคัญด้านความปลอดภัย สำหรับแบตเตอรี่

1. ก่อนใช้งานแบตเตอรี่ โปรดอ่านคำแนะนำและสัญลักษณ์เตือนทั้งหมดซึ่งปรากฏอยู่ที่ (1) เครื่องชาร์จแบตเตอรี่ (2) แบตเตอรี่ และ (3) ผลิตภัณฑ์ที่ใช้แบตเตอรี่
2. ห้ามถอดแยกชิ้นส่วนแบตเตอรี่
3. หากเวลาในการใช้งานลดลงเร็วผิดปกติ ให้หยุดใช้งานโดยทันที เนื่องจากอาจก่อให้เกิดอันตรายจากความร้อนสูงเกิน ropy ใหม่และการระเบิดได้
4. ในกรณีที่มีสารอิเล็กโทรไลต์กระเด็นเข้าดวงตา ให้ล้างออกด้วยน้ำสะอาดและรีบไปพบแพทย์ในทันที และอาจทำให้ตาบอดได้
5. ห้ามต่อวงจรลัดให้แบตเตอรี่:
 - (1) อย่าให้วัสดุนำไฟฟ้าสัมผัสกับขั้วแบตเตอรี่
 - (2) หลีกเลี่ยงการจัดเก็บแบตเตอรี่ในที่เก็บซึ่งมีวัตถุอื่นๆ ที่เป็นโลหะ เช่น ตะปู เหรียญ เป็นต้น
 - (3) อย่าให้แบตเตอรี่เปียกน้ำหรือถูกฝน การลัดวงจรแบตเตอรี่อาจทำให้เกิดการไหลของกระแสไฟฟ้าเป็นปริมาณมาก ความร้อนสูงเกิน ropy ใหม่และการชำรุดเสียหายได้
6. อย่าจัดเก็บเครื่องมือและแบตเตอรี่ไว้ในสถานที่ซึ่งอุณหภูมิอาจสูงถึงหรือเกินกว่า 50°C
7. ห้ามเผาแบตเตอรี่ แม้ว่าแบตเตอรี่นั้นจะได้รับความเสียหายอย่างร้ายแรงหรือชำรุดเต็มที่แล้วก็ตาม แบตเตอรี่สามารถระเบิดได้ในเปลวไฟ
8. ระวังอย่าให้แบตเตอรี่ตกพื้นหรือถูกกระแทก
9. ห้ามใช้แบตเตอรี่ที่ชำรุดเสียหาย
10. ปฏิบัติตามกฎระเบียบท้องถิ่นที่เกี่ยวข้องกับการกำจัดทั้งแบตเตอรี่

เก็บคู่มือแนะนำไว้

⚠️ ข้อควรระวัง: ใช้เฉพาะแบตเตอรี่แท้ของ Makita เท่านั้น การใช้แบตเตอรี่ Makita ที่ไม่ใช่ของแท้ หรือแบตเตอรี่ซึ่งได้ผ่านการดัดแปลงอาจส่งผลให้แบตเตอรี่ระเบิดได้ซึ่งจะก่อให้เกิดเพลิงไหม้ การบาดเจ็บและความเสียหายได้ นอกจากนี้ยังถือว่าเป็นการสิ้นสุดการรับประกันสำหรับเครื่องมือและเครื่องชาร์จของ Makita อีกด้วย

คำแนะนำสำหรับการยืดอายุการใช้งานแบตเตอรี่

1. ชาร์จแบตเตอรี่ก่อนที่จะหมด หยุดใช้งานเครื่องทุกครั้งและชาร์จแบตเตอรี่ เมื่อพบว่ามีกำลังไฟเหลือน้อย
2. ห้ามชาร์จแบตเตอรี่ที่ชาร์จไฟไว้เต็มแล้ว การชาร์จไฟมากเกินไปจะทำให้แบตเตอรี่มีอายุการใช้งานสั้นลง
3. ชาร์จแบตเตอรี่ที่อุณหภูมิห้องในช่วง 10°C - 40°C ปล่อยให้แบตเตอรี่เย็นลงก่อนที่จะชาร์จไฟ
4. ควรชาร์จไฟแบตเตอรี่ เมื่อไม่ได้ใช้งานเป็นเวลานาน (มากกว่าหกเดือน)

รายละเอียดเกี่ยวกับชิ้นส่วน

- รูป 1:
- | | |
|------------------------------------|--------------------|
| 1. กระจกมองระดับ | 7. สวิตช์เปิด/ปิด |
| 2. ฟาช่องเติมน้ำมัน/ช่องระบายอากาศ | 8. ไฟ LED |
| 3. วาล์วเปิดปิดอากาศเข้า | 9. มอเตอร์ |
| 4. มือจับ | 10. ฐานเครื่อง |
| 5. ตัวยึดแบตเตอรี่ | 11. ถังน้ำมัน |
| 6. แบตเตอรี่ | 12. จุกระบายน้ำมัน |

รายละเอียดเกี่ยวกับการทำงาน

⚠️ ข้อควรระวัง: ตรวจสอบให้แน่ใจทุกครั้งว่าได้ปิดสวิตช์ปัมและถอดแบตเตอรี่ออกก่อนทำการปรับหรือตรวจสอบการทำงานของปัม

การใส่หรือการถอดแบตเตอรี่

- ⚠️ ข้อควรระวัง:** ปิดสวิตช์ปัมก่อนใส่หรือถอดแบตเตอรี่ทุกครั้ง
- ⚠️ ข้อควรระวัง:** จับปัมและแบตเตอรี่ไว้ในมั่นคงในขณะใส่หรือถอดแบตเตอรี่ ปัมและแบตเตอรี่อาจเลื่อนหลุดจากมือหากถือไว้ไม่มั่นคง และทำให้ปัมและแบตเตอรี่เกิดความเสียหายรวมทั้งเกิดการบาดเจ็บได้

- รูป 2:
1. ใส แบตเตอรี่สถานะสีแดง
 2. ปุ่ม
 3. แบตเตอรี่

เมื่อต้องการถอดแบตเตอรี่ ให้ดันแบตเตอรี่ออกจากปัมพร้อมกับเลื่อนปัมทางด้านหน้าของแบตเตอรี่

เมื่อต้องการใส่แบตเตอรี่ ให้ปรับตำแหน่งสลักที่แบตเตอรี่ให้เข้ากับร่องที่ตัวเครื่องแล้วดันให้เข้าที่ ใส่แบตเตอรี่เข้าไปให้สุดจนล็อกเข้าที่โดยจะได้ยินเสียงคลิกเบาๆ หากไฟแสดงสถานะสีแดงบริเวณเหนือปุ่มติดสว่างขึ้น แสดงว่ายังล็อกแบตเตอรี่ไม่เรียบร้อย

⚠️ ข้อควรระวัง: ใส่แบตเตอรี่เข้าไปจนสุดทุกครั้ง จนกว่าจะไฟแสดงสถานะสีแดงจะดับ หากใส่แบตเตอรี่เข้าไปไม่สุด อาจเกิดอันตรายจากแบตเตอรี่หลุดออกจากปัม ทำให้ท่านหรือบุคคลรอบข้างเกิดการบาดเจ็บได้

⚠️ ข้อควรระวัง: ห้ามฝืนใส่แบตเตอรี่เข้าไปในเครื่อง หากดันแบตเตอรี่เข้าไปไม่สะดวก แสดงว่าใส่แบตเตอรี่ไม่ถูกต้อง

ระบบนิริภัยแบตเตอรี่

► รูป 3:

1. สัญลักษณ์รูปดาว

บีมได้ติดตั้งระบบนิริภัยแบตเตอรี่ไว้ ระบบนิริภัยนี้จะจัดการจ่ายกระแสไฟไปยังมอเตอร์โดยอัตโนมัติเพื่อตัดอายุการใช้งานแบตเตอรี่

บีมก็จะหยุดทำงานโดยอัตโนมัติ ในกรณีที่บีมและ/หรือแบตเตอรี่อยู่ในสภาพใดสภาพหนึ่งดังต่อไปนี้:

ใช้งานเกินกำลัง:

บีมทำงานในลักษณะที่ส่งผลให้เกิดการใช้กระแสไฟสูงผิดปกติในกรณีดังกล่าว ในปิดสวิตซ์การทำงานบีมแล้วเลิกใช้งานในลักษณะที่ส่งผลให้บีมทำงานเกินกำลัง จากนั้นเปิดสวิตซ์บีมเพื่อให้เครื่องเริ่มทำงานอีกครั้ง

หากบีมไม่ทำงาน แบตเตอรี่อาจร้อนเกินไป ในกรณีที่ดังกล่าว ควรปล่อยให้แบตเตอรี่เย็นลงก่อนเปิดสวิตซ์บีมอีกครั้ง

แบตเตอรี่มีแรงดันไฟฟ้าต่ำ:

แบตเตอรี่มีความจุเหลืออยู่น้อยเกินไป และบีมก็จะไม่ทำงาน ในกรณีที่ดังกล่าว ให้ถอดแบตเตอรี่ออกแล้วชาร์จแบตเตอรี่อีกครั้ง

หมายเหตุ: ระบบป้องกันความร้อนสูงเกินจะทำงานเฉพาะแบตเตอรี่ที่มีสัญลักษณ์รูปดาวเท่านั้น

การแสดงความจุแบตเตอรี่ที่เหลืออยู่

เฉพาะแบตเตอรี่ที่มี "B" อยู่ต่อท้ายหมายเลขรุ่นเท่านั้น

► รูป 4:

1. ไฟแสดงสถานะ 2. ปุ่มตรวจสอบ

กดปุ่มตรวจสอบที่แบตเตอรี่เพื่อดูความจุแบตเตอรี่ที่เหลืออยู่ ไฟแสดงสถานะจะติดสว่างอยู่สองสามวินาที

ไฟแสดงสถานะ			ความจุที่เหลืออยู่
ติดสว่าง	ดับ	กะพริบ	
■ ■ ■ ■ ■			75% ถึง 100%
■ ■ ■ ■ □			50% ถึง 75%
■ ■ ■ □ □			25% ถึง 50%
■ ■ □ □ □			0% ถึง 25%
■ □ □ □ □			ชาร์จแบตเตอรี่
■ □ □ □ □	↑	↓	แบตเตอรี่อาจทำงานผิดปกติ
□ □ ■ ■ ■			

หมายเหตุ: การแสดงสถานะอาจแตกต่างจากความจุแบตเตอรี่ที่แท้จริงไปบ้างเล็กน้อย ทั้งนี้ขึ้นกับสภาพการใช้งานและอุณหภูมิสภาพแวดล้อม

การใช้งาน

บีมที่ซื้อใหม่จะไม่มีน้ำมันอยู่ภายใน โปรดดู "การเติมน้ำมัน" แล้วจึงเติมน้ำมัน

คำเตือน: การใช้งานบีมในโดยไม่เติมน้ำมันจะทำให้บีมเสียหายได้ นอกจากนี้ ถังน้ำมันจะร้อนและอาจเกิดรอยไหมหรืออุบัติเหตุในลักษณะอื่นได้

การเติมน้ำมัน

► รูป 5:

1. ฝาช่องเติมน้ำมัน/ช่องระบายอากาศ
2. ซีลระดับน้ำมัน
3. กระจกมองระดับระบายอากาศ
4. ถังน้ำมัน

1. เปิดฝาช่องเติมน้ำมัน/ช่องระบายอากาศ แล้วเทน้ำมันที่เตรียมไว้ผ่านช่องเติมลงไป

ข้อควรสังเกต: ใช้เฉพาะน้ำมันของแท้ของ Makita ทุกครั้งเพื่อให้บีมยังคงมีประสิทธิภาพการทำงานที่ดีอยู่เสมอ

2. เติมน้ำมันจนระดับน้ำมันอยู่ระหว่างซีลระดับสูงสุดกับซีลระดับต่ำสุดของกระจกมองระดับ

ข้อควรสังเกต: ระดับน้ำมันมีความสำคัญ การใช้งานบีมโดยที่ระดับน้ำมันไม่อยู่ระหว่างซีลระดับสูงสุดกับซีลระดับต่ำสุดอาจทำให้บีมทำงานผิดปกติได้

การตรวจสอบประสิทธิภาพการทำงาน

► รูป 6:

1. ท่อดูด
2. วาล์วด้านต่ำ
3. บีมสูญญากาศ
4. ท่อร่วม

1. ต่อสายชาร์จเข้ากับวาล์วด้านต่ำของท่อร่วมและท่อดูดของบีม
2. ปิดวาล์วด้านต่ำของท่อร่วม
3. เปิดวาล์วเปิดปิดอากาศเข้า
4. เปิดวาล์วอากาศเข้า
5. เปิดสวิตซ์บีม หากความดันของท่อร่วมแสดงค่าความดันสูญญากาศในช่วง -0.09 ถึง -0.1 MPa ภายใน 30 วินาที บีมก็จะทำงานได้อย่างถูกต้อง
6. ปิดสวิตซ์บีม

การใช้งาน

► รูป 7:

1. บีมสูญญากาศ
2. วาล์วเปิดปิดอากาศเข้า
3. สายชาร์จ (สีเหลือง)
4. ท่อร่วม
5. วาล์วด้านต่ำ
6. เกจวัดความดันต่ำ
7. วาล์วด้านสูง
8. สายชาร์จ (สีน้ำเงิน)
9. ช่องเซอร์วิส (ด้านความดันต่ำ)
10. ตัวเครื่องภายนอก

1. ต่อสายเข้ากับบีม ท่อร่วมและตัวเครื่องภายนอก

หมายเหตุ: เมื่อช่องเซอร์วิสที่ตัวเครื่องภายนอกมีขนาด 1/4" จะต้องใช้อะแดปเตอร์ขนาดต่างๆ ที่มาพร้อมกับเครื่อง

2. ตรวจสอบว่าวาล์วด้านสูงและวาล์วด้านต่ำของท่อร่วมปิดอยู่
3. ใส่แบตเตอรี่เข้ากับบีม (ดู "การใส่หรือถอดแบตเตอรี่" สำหรับวิธีใส่แบตเตอรี่)

- เปิดสวิตช์ขี้น ไฟ LED (สีเขียว) จะติดสว่าง
- เปิดวาล์วเปิดปิดอากาศเข้าของบีมและวาล์วด้านต่ำของท่อรวม

คำเตือน: บีมจะร้อนในขณะที่ทำงานและทันทีที่เครื่องหยุดทำงาน ห้ามสัมผัสกับบีมในขณะที่ยังร้อนอยู่ เพราะอาจทำให้เกิดรอยไหม้หรืออุบัติเหตุในลักษณะอื่นได้

หมายเหตุ: เมื่อตรวจว่าไม่ทำงาน เมื่อมีอุณหภูมิต่ำ (5°C หรือต่ำกว่า) ในกรณีดังกล่าว ให้นำบีมเข้าภายในอาคารและปล่อยให้มีความร้อนสูงขึ้น

- เมื่อความดันระบบถึงระดับความดันสัญญาณตามที่กำหนด (โปรดดูจากคู่มือของผู้ผลิตเครื่องปรับอากาศ) ให้ปิดวาล์วด้านต่ำของท่อรวม
- ปิดวาล์วเปิดปิดอากาศเข้าแล้วเปิดสวิตช์ขี้น

การทดสอบสภาพสัญญาณภาค

ไม่มีการรั่วไหลหากความดันของท่อรวมไม่เพิ่มขึ้นตั้งแต่ 5 นาที เป็นต้นไป หลังจากปล่อยให้บีมและท่อรวมทำงาน

หมายเหตุ: เมื่อแบตเตอรี่มีความจุเหลืออยู่น้อย ไฟ LED จะดับ และในขณะที่เดียวกัน เสียงบีบเตือนยาวๆ จะเริ่มดังขึ้น ประมาณสองนาทีก่อนหน้านั้น เมื่อเครื่องจะหยุดทำงาน จากนั้นเสียงบีบเตือนจะเปลี่ยนเป็นเสียงบีบสั้นๆ ดังเข้าไปซ้ำๆ ซึ่งจะแจ้งให้ทราบว่ามีแบตเตอรี่หมดทำงานและอีก 30 วินาทีหลังจากนั้น เสียงบีบจะหยุดลง อย่างไรก็ตาม อย่ารอนจนกระทั่งแบตเตอรี่หมดทำงาน (หรืออาจให้เสียงบีบเปลี่ยนเป็นเสียงบีบสั้นๆ) แต่ควรปิดวาล์วอากาศเข้าของเครื่องมือและวาล์วด้านแรงดันต่ำของท่อรวม

ตรวจสอบว่าได้ปิดสวิตช์ขี้น ถอดแบตเตอรี่ออกจากบีมและชาร์จแบตเตอรี่หรือนำแบตเตอรี่สำรองมาเปลี่ยนแทนแล้ว

- โปรดดูตารางต่อไปนี หากต้องการทราบข้อมูลเวลาในการทำงานแบตเตอรี่

เวลาในการใช้งาน (แนวทางปฏิบัติ)

แบตเตอรี่	เวลาในการใช้งาน
BL1860B	75 นาที
BL1850 / BL1850B	50 นาที
BL1840 / BL1840B	40 นาที
BL1830 / BL1830B	30 นาที

- หลังจากใช้งานเสร็จ ให้ถอดแบตเตอรี่ออกแล้วใส่ฝาครอบบีมที่มาพร้อมกับเครื่อง

ข้อควรสังเกต: เมื่อขนย้าย ใช้งาน และจัดเก็บเครื่องมือ อย่างไรก็ตามเครื่องมีล้อกลับด้าน หรือวางโดยเอาด้านข้างลง เพราะอาจทำให้น้ำมันรั่วไหลออกจากช่องเติมน้ำมัน/ฟาส์ของระบบไฮดรอลิก

การบำรุงรักษา

ข้อควรระวัง: ตรวจสอบให้แน่ใจทุกครั้งว่าได้ปิดสวิตช์ขี้นและถอดแบตเตอรี่ออกแล้วทุกครั้งก่อนที่จะทำการตรวจสอบหรือบำรุงรักษา

ข้อควรสังเกต: อย่าใช้น้ำมันแกลโซลีน เบนซิน ทินเนอร์ แอลกอฮอล์ หรือสิ่งอื่นที่คล้ายกัน เพราะอาจเกิดการเปลี่ยนสี เปลี่ยนรูปร่างหรือรอยแตกได้

เพื่อให้ผลิตภัณฑ์ยังคงมีความปลอดภัยและเชื่อถือได้ การซ่อมแซม การบำรุงรักษาอื่นใด หรือการปรับแต่งใดๆ จะต้องทำโดยศูนย์บริการของโรงงานหรือศูนย์บริการที่ได้รับแต่งตั้งของ Makita และควรใช้ชิ้นส่วนอะไหล่ของ Makita เสมอ

การตรวจสอบน้ำมัน

- รูป 8:**
- ขีดระดับน้ำมัน
 - กระจกมองระดับ
- หมั่นตรวจสอบสภาพและระดับน้ำมัน (การเสื่อมสภาพเป็นต้น) อยู่เสมอ ก่อนใช้งานบีม

หมายเหตุ: เติมน้ำมันจนระดับน้ำมันอยู่ระหว่างขีดระดับสูงสุดกับขีดระดับต่ำสุดของกระจกมองระดับ

การเปลี่ยนถ่ายน้ำมัน

- รูป 9:**
- วาล์วเปิดปิดอากาศเข้า
 - จุกระบายน้ำมัน
- เปิดวาล์วเปิดปิดอากาศเข้า
 - ใช้งานบีม 1 หรือ 2 นาที เพื่อทำให้น้ำมันอุ่นขึ้น
 - ปิดสวิตช์ขี้น
 - ถอดจุกระบายน้ำมันแล้วถ่ายน้ำมันออกจากเครื่อง
 - โปรดดู "การเติมน้ำมัน" แล้วจึงเติมน้ำมันชุดใหม่
- ที่น้ำมันเก่าตามที่ถูกระเบียบท้องถิ่นกำหนด

หมายเหตุ: แนะนำให้เปลี่ยนน้ำมันหลังจากใช้งานไปแล้ว 20 ชั่วโมง เพื่อป้องกันไม่ให้อิฐแปลงปลอมเข้าสู่มอเตอร์และสร้างความเสียหายต่อชิ้นส่วนประกอบต่างๆ ของบีม

ขณะใช้งานเพื่อตัดอากาศให้ระบบทำความเย็นที่เก่าให้เปลี่ยนน้ำมันหลังการใช้งานทุกครั้ง

การทำความสะอาดบีม

- เมื่อน้ำมันสกปรกมาก ให้เปลี่ยนน้ำมันแล้วเปิดเครื่องให้บีมทำงาน 3 ถึง 5 นาที
 - ถ่ายน้ำมันเก่าออกแล้วเติมน้ำมันใหม่ลงไป
- หากน้ำมันที่ถ่ายออกมายังคงสกปรกอยู่ ให้ทำตามขั้นตอนทำความสะอาดนี้ซ้ำอีกสองหรือสามรอบ

อุปกรณ์เสริมที่เลือกได้

ข้อควรระวัง: แนะนำให้ใช้อุปกรณ์เสริมหรือส่วนต่อเพิ่มเติมเหล่านี้กับเครื่องมือ Makita ของท่านตามที่ระบุไว้ในคู่มือนี้ การใช้อุปกรณ์เสริมหรือส่วนต่อเพิ่มเติมอาจทำให้เสี่ยงต่อการบาดเจ็บได้ ใช้อุปกรณ์เสริมหรือส่วนต่อเพิ่มเติมเพื่อจุดประสงค์ตามที่ได้ระบุไว้เท่านั้น

หากท่านต้องการความช่วยเหลือใดๆ ในการขอทราบรายละเอียดเพิ่มเติมเกี่ยวกับอุปกรณ์เสริมเหล่านี้ โปรดสอบถามกับศูนย์บริการ Makita ใกล้บ้านคุณ

- แบตเตอรี่และเครื่องชาร์จของแท้ของ Makita
- น้ำมันบีมสัญญาณภาค 150 มล.
- ตัวเรือนอลูมิเนียมบีมสัญญาณภาค
- สายบีมสัญญาณภาค
- วาล์วพร้อมเกจวัดบีมสัญญาณภาค

หมายเหตุ: บางผลิตภัณฑ์ในรายการนี้อาจรวมอยู่ในบรรจุภัณฑ์ของเครื่องเป็นอุปกรณ์เสริมมาตรฐาน ทั้งนี้อาจแตกต่างกันในแต่ละประเทศ

ESPECIFICACIONES

Modelo:	DVP180
Cartucho de batería (capacidad)	BL 1860B (6,0 Ah) BL 1850 / BL 1850B (5,0 Ah) BL 1840 / BL 1840B (4,0 Ah) BL 1830 / BL 1830B (3,0 Ah)
Tensión nominal	18 V c.c.
Bomba	Bomba rotativa de una etapa
Desplazamiento de aire libre	50 L/min
Vacío final	20 Pa
Capacidad de aceite	100 – 115 ml
Entrada	Llamarada macho de 5/16"
Dimensiones	263 mm (La) × 93 mm (An) × 172 mm (Al)
Peso neto (con la batería BL 1850)	3,5 kg

- Debido a nuestro programa continuo de investigación y desarrollo, las especificaciones aquí contenidas están sujetas a cambio sin previo aviso.
- Las especificaciones y el cartucho de batería pueden variar de país a país.
- Peso, incluyendo el cartucho de batería, de acuerdo con el procedimiento EPTA 01/2003

Símbolos

A continuación se muestran los símbolos utilizados para el equipo.

Asegúrese de entender su significado antes de usarlo.



- Lea el manual de instrucciones.



- Advertencia: ¡superficie caliente!
No toque alrededor de este símbolo.
Tocar la superficie podría provocar quemaduras o lesiones.



- Únicamente para países de la UE
¡No deseche los equipos eléctricos ni paquetes de baterías junto con los residuos domésticos!
De conformidad con la Directiva Europea relativa a los residuos de equipos eléctricos y electrónicos, baterías y acumuladores y baterías y acumuladores de desecho y su empleo de acuerdo con la legislación nacional, el equipo eléctrico, las baterías y los paquetes de baterías cuya vida útil haya llegado a su fin deberán ser recolectados por separado y trasladados a una instalación de reciclaje que cumpla con las exigencias ambientales.

Advertencias generales de seguridad para las herramientas eléctricas

⚠ADVERTENCIA: Lea todas las advertencias de seguridad y todas las instrucciones. El no seguir las advertencias e instrucciones podría ocasionar una descarga eléctrica, incendio y/o lesiones graves.

Guarde todas las advertencias e instrucciones para referencia en el futuro.

El término "herramienta eléctrica" contenido en las advertencias se refiere a su herramienta eléctrica operada con corriente (con cable) o herramienta eléctrica operada con baterías (inalámbrica).

Seguridad en el área de trabajo

1. **Mantenga el área de trabajo limpia y bien iluminada.** Las áreas desordenadas y oscuras son propensas a accidentes.
2. **No opere las herramientas eléctricas en atmósferas explosivas, por ejemplo donde haya presencia de líquidos y gases inflamables o polvo.** Las herramientas eléctricas generan chispas que pueden encender el polvo o los vapores.
3. **Mantenga a los niños y personas alrededor alejados durante la operación de una herramienta eléctrica.** Las distracciones pueden ocasionarle la pérdida de control.

Seguridad eléctrica

4. **Las clavijas de las herramientas eléctricas deben encajar en la toma de corriente. Nunca modifique la clavija de ninguna forma. No utilice ninguna clavija adaptadora con herramientas eléctricas con conexión a tierra (puesta a tierra).** El uso de clavijas no modificadas que encajen en las tomas de corriente reducirá el riesgo de una descarga eléctrica.
5. **Evite el contacto del cuerpo con superficies conectadas a tierra o puestas a tierra tales como tubos, radiadores, estufas y refrigeradores.** Existe un mayor riesgo de descarga eléctrica si su cuerpo es conectado a tierra o puesto a tierra.
6. **No exponga las herramientas eléctricas a la lluvia ni a condiciones de humedad.** La entrada de agua en una herramienta eléctrica aumentará el riesgo de una descarga eléctrica.
7. **No maltrate el cable. Nunca utilice el cable para transportar, jalar o desconectar la herramienta eléctrica. Mantenga el cable alejado del calor, aceite, bordes filosos o partes móviles.** Los cables dañados o enredados aumentan el riesgo de una descarga eléctrica.
8. **Cuando opere una herramienta eléctrica en exteriores, utilice un cable de extensión adecuado para el uso en exteriores.** El uso de un cable adecuado para el uso en exteriores reduce el riesgo de una descarga eléctrica.
9. **Si el uso de una herramienta eléctrica en un lugar húmedo es inevitable, utilice un suministro protegido con un interruptor de circuito de falla de conexión a tierra (GFCI).** El uso de un GFCI reduce el riesgo de una descarga eléctrica.

Seguridad personal

10. **Manténgase alerta, ponga atención a lo que está haciendo y use el sentido común cuando opere una herramienta eléctrica. No utilice una herramienta eléctrica cuando esté cansado o bajo la influencia de drogas, alcohol o medicamentos.** Un momento de descuido mientras se opera una herramienta eléctrica puede provocar lesiones personales graves.
11. **Utilice equipo de protección personal. Siempre utilice protección para los ojos.** El uso de un equipo de protección tal como máscara contra polvo, calzado de seguridad antideslizante, casco o protección para los oídos en las condiciones apropiadas reducirá las lesiones personales.
12. **Evite la puesta en marcha accidental. Asegúrese de que el interruptor esté en la posición de apagado antes de conectar a la fuente de alimentación y/o colocar el paquete de baterías, así como al levantar o transportar la herramienta.** Transportar las herramientas eléctricas con el dedo en el interruptor o conectarlas con el interruptor activado puede provocar accidentes.
13. **Retire cualquier llave de ajuste o llave de apriete antes de encender la herramienta eléctrica.** Una llave de apriete o de ajuste que se haya dejado puesta en una parte giratoria de la herramienta eléctrica puede ocasionar lesiones personales.

14. **No utilice la herramienta donde no alcance. Pise sobre suelo firme y mantenga el equilibrio en todo momento.** Esto permitirá un mejor control de la herramienta eléctrica en situaciones inesperadas.
15. **Use vestimenta apropiada. No use ropa holgada ni alhajas. Mantenga su cabello, ropa y guantes alejados de las partes móviles.** La ropa holgada, las alhajas y el cabello largo pueden quedar atrapados en las partes móviles.
16. **Si dispone de dispositivos para la conexión de equipos de extracción y recolección de polvo, asegúrese de conectarlos y utilizarlos debidamente.** El uso de estos dispositivos reduce los riesgos relacionados con el polvo.

Mantenimiento y uso de la herramienta eléctrica

17. **No fuerce la herramienta eléctrica. Utilice la herramienta eléctrica correcta para su aplicación.** La herramienta eléctrica correcta hará un trabajo mejor y más seguro a la velocidad para la que fue diseñada.
18. **No utilice la herramienta eléctrica si el interruptor no la enciende y apaga.** Cualquier herramienta eléctrica que no pueda ser controlada con el interruptor es peligrosa y debe ser reemplazada.
19. **Desconecte la clavija de la fuente de energía y/o el paquete de baterías de la herramienta eléctrica antes de realizar ajustes, cambiar accesorios o almacenar las herramientas eléctricas.** Dichas medidas de seguridad preventivas reducen el riesgo de que la herramienta eléctrica pueda ser puesta en marcha accidentalmente.
20. **Guarde la herramienta eléctrica que no use fuera del alcance de los niños y no permita que las personas que no están familiarizadas con ella o con las instrucciones la operen.** Las herramientas eléctricas son peligrosas en manos de usuarios inexpertos.
21. **Realice el mantenimiento a las herramientas eléctricas. Compruebe que no haya partes móviles desalineadas o estancadas, piezas rotas y cualquier otra condición que pueda afectar al funcionamiento de la herramienta eléctrica. Si la herramienta eléctrica está dañada, haga que se la reparen antes de utilizarla.** Muchos accidentes son ocasionados por herramientas eléctricas con un mal mantenimiento.
22. **Mantenga las herramientas de corte afiladas y limpias.** Si las herramientas de corte reciben un mantenimiento adecuado y tienen los bordes de corte afilados, será menos probable que la herramienta se atasque y que resulte más fácil controlarla.
23. **Utilice la herramienta eléctrica, así como los accesorios y puntas de la herramienta, etc. de acuerdo con estas instrucciones, tomando en cuenta las condiciones laborales y el trabajo a realizar.** Si utiliza la herramienta eléctrica para realizar operaciones distintas a las indicadas, podría presentarse una situación peligrosa.

Uso y cuidado de la herramienta a batería

24. **Realice la recarga sólo con el cargador especificado por el fabricante.** Un cargador que es adecuado para un solo tipo de paquete de baterías puede generar riesgo de incendio al ser utilizado con otro paquete de baterías.

25. Utilice las herramientas eléctricas solamente con los paquetes de baterías designados específicamente para ellas. El uso de cualquier otro paquete de baterías puede ocasionar riesgo de lesiones o incendio.
26. Cuando no se esté usando el paquete de baterías, manténgalo alejado de otros objetos metálicos, como sujetapapeles (clips), monedas, llaves, clavos, tornillos u otros objetos pequeños de metal que puedan crear una conexión entre una terminal y otra. Causar un cortocircuito en las terminales de la batería puede provocar quemaduras o incendio.
27. En condiciones de mal uso, podría escapar líquido de la batería; evite el contacto. Si lo toca accidentalmente, enjuague con agua. Si hay contacto del líquido con los ojos, solicite atención médica. El líquido expulsado de la batería podrá causar irritación o quemaduras.

Servicio

28. Haga que un técnico en reparación calificado dé servicio a su herramienta eléctrica utilizando sólo partes de repuesto idénticas. Esto asegurará que se mantenga la seguridad de la herramienta eléctrica.
29. Siga las instrucciones para la lubricación y cambio de accesorios.
30. Mantenga los mangos secos, limpios y libres de aceite y grasa.

Advertencias de seguridad para la bomba de vacío inalámbrica

1. La herramienta eléctrica es una máquina usada para evacuar equipo de refrigeración y aire acondicionado y tanques de recuperación. No la utilice para ninguna otra aplicación. El hacerlo podría ocasionar accidentes.
2. Inspeccione siempre la herramienta antes de usarla para verificar que no haya fugas de aceite. El no hacerlo podría provocar un incendio.
3. Revise el nivel y el estado del aceite (deterioro, etc.) para permitir un trabajo seguro y eficiente.
4. En ambientes extremadamente calientes o fríos no podrá lograrse un desempeño adecuado.

GUARDE ESTAS INSTRUCCIONES.

⚠️ ADVERTENCIA: NO deje que la comodidad o familiaridad con el producto (a base de utilizarlo repetidamente) sustituya la estricta observancia de las normas de seguridad para dicho producto.

El MAL USO o el no seguir las normas de seguridad indicadas en este manual de instrucciones podría ocasionar lesiones personales graves.

Instrucciones importantes de seguridad para el cartucho de batería

1. Antes de utilizar el cartucho de batería, lea todas las instrucciones e indicaciones de precaución en (1) el cargador de batería, (2) la batería y (3) el producto con el que se utiliza la batería.
2. No desarme el cartucho de batería.
3. Si el tiempo de operación se ha acortado en exceso, detenga la operación de inmediato. Esto podría generar riesgo de sobrecalentamiento, posibles quemaduras e incluso una explosión.
4. En caso de ingresar electrolitos en sus ojos, enjuáguelos con agua limpia y solicite inmediatamente atención médica. Esto podría causarle la pérdida de visión.
5. No cortocircuite el cartucho de batería:
 - (1) No toque las terminales con ningún material conductor.
 - (2) Evite guardar el cartucho de batería en un contenedor junto con otros objetos metálicos, tales como clavos, monedas, etc.
 - (3) No exponga el cartucho de batería al agua o la lluvia.
 Un cortocircuito en la batería podría causar un flujo grande de corriente, sobrecalentamiento, posibles quemaduras e incluso una avería.
6. No almacene la herramienta ni el cartucho de batería en lugares donde la temperatura pueda alcanzar o exceder los 50°C.
7. No incinere el cartucho de batería aun cuando esté dañado severamente o se haya deteriorado por completo. El cartucho de batería podría explotar si se expone al fuego.
8. Tenga cuidado de no dejar caer ni golpear la batería.
9. No use una batería dañada.
10. Siga los reglamentos locales relativos al desecho de baterías.

GUARDE ESTAS INSTRUCCIONES.

⚠️ PRECAUCIÓN: Use únicamente baterías originales de Makita. El uso de baterías no originales de Makita, o de baterías alteradas, puede ocasionar que las baterías exploten causando un incendio, lesiones personales y daños. Asimismo, esto invalidará la garantía de Makita para la herramienta y el cargador Makita.

Consejos para alargar al máximo la vida útil de la batería

1. Cargue el cartucho de batería antes de que se descargue completamente. Detenga siempre la operación y cargue el cartucho de batería cuando note menos potencia en la herramienta eléctrica.
2. Nunca recargue un cartucho de batería que esté completamente cargado. La sobrecarga acortará la vida útil de la batería.

3. Cargue el cartucho de batería a una temperatura ambiente de 10°C - 40°C. Si un cartucho de batería está caliente, permita que se enfríe antes de cargarlo.
4. Cargue el cartucho de batería cuando no vaya a utilizarlo durante un período prolongado (más de seis meses).

DESCRIPCIÓN DE LAS PARTES

► Fig.1:

- | | |
|--------------------------------------|--------------------------------|
| 1. Mirilla | 7. Interruptor de alimentación |
| 2. Tapón de llenado/escape de aceite | 8. Luz LED |
| 3. Válvula de cierre de entrada | 9. Motor |
| 4. Mango | 10. Base |
| 5. Portabaterías | 11. Tanque de aceite |
| 6. Batería | 12. Tapón de drenaje |

DESCRIPCIÓN DEL FUNCIONAMIENTO

⚠PRECAUCIÓN: Asegúrese siempre de que la bomba esté apagada y que el cartucho de batería haya sido extraído antes de realizar cualquier función de ajuste o comprobación en la bomba.

Instalación o extracción del cartucho de batería

⚠PRECAUCIÓN: Apague siempre la bomba antes de instalar o extraer el cartucho de batería.

⚠PRECAUCIÓN: Sujete la bomba y el cartucho de batería con firmeza al instalar o extraer el cartucho de batería. El no sujetar con firmeza la bomba y el cartucho de batería podría ocasionar que éstos se le resbalaran de las manos, provocando daños a la bomba y al cartucho de batería, así como lesiones personales.

► Fig.2:

- | | |
|-------------------|------------------------|
| 1. Indicador rojo | 3. Cartucho de batería |
| 2. Botón | |

Para extraer el cartucho de batería, deslícelo fuera de la bomba mientras desliza el botón en la parte delantera del cartucho.

Para instalar el cartucho de batería, alinee la lengüeta sobre el cartucho de batería con la ranura en la carcasa y deslícelo para colocarlo en su lugar. Insértelo completamente hasta que encaje en su lugar con un pequeño clic. Si puede ver el indicador rojo del lado superior del botón, quiere decir que no ha encajado por completo.

⚠PRECAUCIÓN: Siempre introduzca completamente el cartucho de batería hasta que el indicador rojo no pueda verse. De lo contrario, éste podría salirse accidentalmente de la bomba, provocándole lesiones a usted o a las personas alrededor.

⚠PRECAUCIÓN: No instale el cartucho de batería a la fuerza. Si el cartucho no se desliza al interior con facilidad, quiere decir que no se está insertando correctamente.

Sistema de protección de batería

► Fig.3:

1. Marca de estrella

La bomba está equipada con un sistema de protección de batería. Este sistema corta en forma automática el suministro de energía al motor para prolongar la vida útil de la batería.

La bomba se detendrá automáticamente durante la operación si ésta y/o la batería se someten a una de las siguientes condiciones:

Sobrecarga:

La bomba es operada de tal forma que causa que consuma una cantidad de corriente inusualmente alta.

En este caso, apague la bomba y detenga la aplicación que causó que ésta se sobrecargara. Luego encienda la bomba para volver a arrancarla.

Si la bomba no arranca, significa que la batería se sobrecalentó.

En este caso, permita que la batería se enfríe antes de volver a encender la bomba.

Bajo voltaje de la batería:

La capacidad restante de la batería es demasiado baja y la bomba no funcionará. En este caso, extraiga la batería y vuelva a cargarla.

NOTA: La protección contra sobrecalentamiento funciona únicamente con un cartucho de batería con una marca de estrella.

Indicación de la capacidad restante de la batería

Únicamente para cartuchos de batería con una "B" al final del número de modelo

► Fig.4:

1. Luces indicadoras
2. Botón de verificación

Oprima el botón de verificación en el cartucho de batería para que se indique la capacidad restante de la batería. Las luces indicadoras se encenderán durante unos segundos.

Luces indicadoras			Capacidad restante
Encendida	Apagada	Parpadeando	
			75% a 100%
			50% a 75%
			25% a 50%
			0% a 25%
			Cargue la batería.
			La batería pudo no haber funcionado correctamente.

NOTA: Dependiendo de las condiciones de uso y la temperatura ambiente, la indicación puede diferir ligeramente de la capacidad real.

OPERACIÓN

La bomba no contiene aceite al momento de adquirirla. Consulte la sección "Adición de aceite" y agregue aceite.

⚠ADVERTENCIA: Operar la bomba sin haber agregado aceite causará daños a la misma. Además, el tanque de aceite se calentará y podrá provocar quemaduras u otro tipo de accidentes.

Adición de aceite

► Fig.5:

1. Tapón de llenado/escape de aceite
 2. Línea de nivel
 3. Mirilla
 4. Tanque de aceite
1. Retire el tapón de llenado/escape de aceite y agregue el aceite suministrado a través del puerto de llenado.

AVISO: Use siempre aceite original de Makita a fin de mantener el desempeño de la bomba.

2. Agregue aceite hasta que el nivel de aceite se encuentre entre las líneas de nivel superior e inferior de la mirilla.

AVISO: El nivel de aceite es importante. Operar la bomba en condiciones en las que el nivel de aceite no se encuentre entre las líneas de nivel superior e inferior podrá ocasionar un funcionamiento incorrecto.

Verificación de desempeño

► Fig.6:

1. Entrada
 2. Válvula del lado inferior
 3. Bomba de vacío
 4. Colector
1. Conecte la válvula del lado inferior del colector y el puerto de entrada de la bomba con una manguera de carga.
 2. Cierre la válvula del lado inferior del colector.
 3. Abra la válvula de cierre de entrada.
 4. Abra la válvula de admisión.
 5. Encienda la bomba. Si la presión del colector indica un vacío de $-0,09$ a $-0,1$ MPa en un lapso de 30 segundos, la bomba está funcionando correctamente.
 6. Apague la bomba.

Operación

► Fig.7:

1. Bomba de vacío
 2. Válvula de cierre de entrada
 3. Manguera de carga (amarilla)
 4. Colector
 5. Válvula del lado inferior
 6. Manómetro de baja presión
 7. Válvula del lado superior
 8. Manguera de carga (azul)
 9. Puerto de servicio (lado de baja presión)
 10. Unidad externa
1. Conecte la bomba, el colector y la unidad externa con las mangueras.

NOTA: Cuando el tamaño del puerto de servicio en la unidad sea de $1/4"$, utilice el adaptador de diámetro diferente suministrado.

2. Verifique que las válvulas del lado superior y el lado inferior del colector estén cerradas.
3. Instale la batería en la bomba. (Consulte la sección "Instalación o extracción del cartucho de batería" para ver el método de instalación.)
4. Encienda la bomba. La luz LED (verde) se encenderá.
5. Abra la válvula de cierre de entrada de la bomba y la válvula del lado inferior del colector.

⚠ADVERTENCIA: La bomba se calienta durante la operación e inmediatamente después de detenerse. No toque la bomba mientras esté caliente. El hacerlo podría provocar quemaduras u otro tipo de accidentes.

NOTA: El motor podrá no operar cuando esté frío (5°C o menos). En estos casos, lleve la bomba a interiores y permita que se caliente.

6. Cuando se alcance el vacío especificado (consulte el manual suministrado por el fabricante del aire acondicionado), cierre la válvula del lado inferior del colector.
7. Cierra la válvula de cierre de entrada y apague la bomba.

Prueba de estanqueidad

No habrá fugas si la presión del colector no se eleva durante 5 minutos o más después de dejar la bomba y el colector.

NOTA: Cuando la capacidad restante de la batería se reduce, la luz LED se apaga y al mismo tiempo comienza a sonar el bip de una alarma en forma prolongada. Aproximadamente dos minutos después, el motor se detiene. Y luego el bip de la alarma cambia a breves intervalos de tiempo repetidos que indica que el motor se ha detenido y 30 segundos después el bip se detiene. Sin embargo, no espere hasta que el motor se detenga (o que los bips de la alarma cambien a un bip de corto tiempo), en vez de esto, cierre la válvula de admisión de la herramienta y la válvula del lado de baja presión del colector.

Verifique que la bomba esté apagada, retire la batería y cárguela o reemplácela con una batería de repuesto.

- Consulte la siguiente tabla para ver los tiempos de operación de la batería.

Tiempos de operación (directrices)

Batería	Tiempos de operación
BL1860B	75 min
BL1850 / BL1850B	50 min
BL1840 / BL1840B	40 min
BL1830 / BL1830B	30 min

- Una vez finalizado el trabajo, extraiga la batería y colóque la cubierta suministrada.

AVISO: Cuando transporte, opere y almacene la herramienta, nunca la coloque de costado ni de cabeza. Esto podría causar una fuga de aceite del tapón de llenado de aceite/ventilación.

MANTENIMIENTO

PRECAUCIÓN: Asegúrese siempre de que la bomba esté apagada y que el cartucho de batería haya sido extraído antes de realizar una tarea de inspección o mantenimiento.

AVISO: Nunca use gasolina, bencina, diluyente, (tíner), alcohol o sustancias similares. Esto podría ocasionar decoloración, deformación o grietas.

Para mantener la SEGURIDAD y FIABILIDAD del producto, las reparaciones y cualquier otra tarea de mantenimiento o ajuste deberán ser realizadas en Centros de Servicio de Fábrica Autorizados por Makita, empleando siempre piezas de repuesto Makita.

Verificación del aceite

► Fig.8:

1. Línea de nivel
 2. Mirilla
- Revise siempre el nivel y el estado del aceite (deterioro, etc.) antes de utilizar la bomba.

NOTA: Agregue aceite hasta que el nivel de aceite se encuentre entre las líneas de nivel superior e inferior de la mirilla.

Reemplazo del aceite

► Fig.9:

1. Válvula de cierre de entrada
 2. Tapón de drenaje
1. Abra la válvula de cierre de entrada.
 2. Ponga a funcionar la bomba durante 1 ó 2 minutos para calentar el aceite.
 3. Apague la bomba.
 4. Retire el tapón de drenaje y drene el aceite.
 5. Consulte la sección "Adición de aceite" y agregue aceite nuevo.
- Deseche el aceite viejo de conformidad con los reglamentos locales.

NOTA: Es recomendable cambiar el aceite cada 20 horas de uso para proteger los componentes de la bomba de los contaminantes que pudieran ingresar en su interior.

Cuando aplique vacío en sistemas viejos de refrigeración, cambie el aceite después de cada uso.

Limpieza de la bomba

1. Cuando el aceite esté muy sucio, reemplácelo y luego ponga a funcionar la bomba de 3 a 5 minutos.
2. Drene el aceite y agregue aceite nuevo.
Si después de drenar el aceite éste sigue estando sucio, repita el proceso de limpieza dos o tres veces.

ACCESORIOS OPCIONALES

PRECAUCIÓN: Estos accesorios o aditamentos están recomendados para usarse con su herramienta Makita especificada en este manual. El uso de cualquier otro accesorio o aditamento podría representar riesgo de lesiones personales. Utilice únicamente los accesorios o aditamentos indicados para el propósito para el que fueron diseñados.

Si desea conocer más detalles respecto a estos accesorios, solicite asistencia al Centro de Servicio Makita de su localidad.

- Baterías y cargadores originales de Makita
- Aceite para bomba de vacío de 150 ml
- Caja de aluminio para bomba de vacío
- Manguera para bomba de vacío
- Válvula con manómetro para bomba de vacío

NOTA: Algunos de los artículos en la lista pueden estar incluidos en el paquete de la herramienta como accesorios estándar. Éstos pueden variar de país a país.

 PRECAUCIÓN:

Este aparato no se destina para utilizarse por personas (incluyendo niños) cuyas capacidades físicas, sensoriales o mentales sean diferentes o estén reducidas o carezcan de experiencia o de conocimiento, a menos que dichas personas reciban una supervisión o capacitación para el funcionamiento del aparato por una persona responsable de su seguridad.

Los niños deben supervisarse para asegurar que ellos no empleen los aparatos como juguete.

ESPECIFICAÇÕES

Modelo:	DVP180
Cartucho de bateria (capacidade)	BL 1860B (6,0 Ah) BL 1850 / BL 1850B (5,0 Ah) BL 1840 / BL 1840B (4,0 Ah) BL 1830 / BL 1830B (3,0 Ah)
Tensão nominal	C. C. 18 V
Bomba	Bomba rotativa de estágio único
Deslocamento de ar livre	50 l/min
Vácuo máximo	20 Pa
Capacidade de óleo	100 – 115 ml
Admissão	Macho alargador de 5/16"
Dimensões	263 mm (C) × 93 mm (L) × 172 mm (A)
Peso líquido (com a bateria BL 1850)	3,5 kg

- Em função de nosso programa contínuo de pesquisa e desenvolvimento, as especificações contidas neste documento estão sujeitas a alterações sem aviso prévio.
- As especificações e o cartucho de bateria podem variar de país para país.
- Peso, com o cartucho de bateria, de acordo com o procedimento EPTA 01/2003

Símbolos

A seguir são mostrados os símbolos usados para o equipamento.

Certifique-se de entender o significado deles antes do uso.



- Leia o manual de instruções.



- Aviso: superfície quente!
Não toque ao redor deste símbolo.
Tocar a superfície pode causar queimaduras ou lesões.



- Somente para países da União Europeia

Não descarte equipamentos elétricos ou conjuntos de baterias junto com o lixo doméstico!

Em conformidade com as diretivas europeias sobre resíduos de equipamentos elétricos e eletrônicos, baterias e acumuladores e resíduos de baterias e acumuladores e sua implementação de acordo com a legislação nacional, os equipamentos elétricos, baterias e conjuntos de baterias que tenham atingido o fim de sua vida útil devem ser coletados separadamente e encaminhados a uma instalação de reciclagem compatível com o meio ambiente.

Avisos gerais de segurança sobre ferramentas elétricas

AVISO: Leia todos os avisos de segurança e todas as instruções. O não cumprimento dos avisos e instruções pode resultar em choque elétrico, incêndio e/ou lesões graves.

Guarde todos os avisos e instruções para referência futura.

O termo “ferramenta elétrica” nos avisos refere-se à ferramenta elétrica (com fio) alimentada pela rede elétrica ou ferramenta elétrica (a bateria) alimentada por bateria.

Segurança na área de trabalho

1. **Mantenha a área de trabalho limpa e bem iluminada.** Áreas desorganizadas ou escuras propiciam acidentes.
2. **Não opere ferramentas elétricas em atmosferas explosivas, como na presença de líquidos inflamáveis, gases ou pó.** As ferramentas elétricas produzem faíscas que podem provocar a ignição do pó ou dos vapores.
3. **Mantenha crianças e outras pessoas afastadas ao operar uma ferramenta elétrica.** Distrações podem fazê-lo perder o controle.

Segurança elétrica

4. **Os plugues da ferramenta elétrica devem ser compatíveis com a tomada. Nunca modifique o plugue, de nenhuma maneira. Não use nenhum tipo de plugue adaptador com ferramentas elétricas conectadas à terra (aterradas).** Plugues não modificados e tomadas compatíveis reduzirão o risco de choque elétrico.

5. **Evite contato corporal com superfícies conectadas à terra ou aterradas, como tubulações, radiadores, fornos e refrigeradores.** Há maior risco de choque elétrico se o seu corpo estiver conectado à terra ou aterrado.
6. **Não exponha as ferramentas elétricas à chuva ou condições de umidade.** A entrada de água em uma ferramenta elétrica aumentará o risco de choque elétrico.
7. **Não faça uso indevido do cabo de alimentação. Nunca use o cabo de alimentação para transportar, puxar ou desconectar a ferramenta elétrica.** Mantenha o cabo de alimentação longe do calor, óleo, bordas cortantes ou peças móveis. Cabos de alimentação danificados ou emaranhados aumentam o risco de choque elétrico.
8. **Ao operar uma ferramenta elétrica em ambientes externos, use um cabo de extensão adequado para uso externo.** A utilização de um cabo adequado para uso externo reduz o risco de choque elétrico.
9. **Se a operação de uma ferramenta elétrica em local úmido for inevitável, use uma fonte de alimentação protegida com interruptor de circuito por falha de aterramento (GFCI).** O uso de um GFCI reduz o risco de choque elétrico.
16. **Se forem fornecidos dispositivos para a conexão de instrumentos de extração e coleta de pó, certifique-se de que estejam conectados e sejam usados adequadamente.** O uso de dispositivos de coleta de pó pode reduzir riscos relacionados ao pó.

Uso e cuidados com a ferramenta elétrica

17. **Não force a ferramenta elétrica. Use a ferramenta elétrica correta para sua aplicação.** A ferramenta elétrica correta realizará o trabalho de modo melhor e mais seguro, na capacidade para a qual foi concebida.
18. **Não use a ferramenta elétrica se o interruptor não ligá-la e desligá-la.** Qualquer ferramenta elétrica que não possa ser controlada com o interruptor é perigosa e deve ser reparada.
19. **Desconecte da ferramenta elétrica o plugue da fonte de alimentação e/ou do conjunto de baterias antes de fazer quaisquer ajustes, trocar acessórios ou guardar as ferramentas elétricas.** Tais medidas de segurança preventivas reduzem o risco de ligar a ferramenta elétrica acidentalmente.
20. **Guarde ferramentas elétricas ociosas fora do alcance das crianças e não permita que pessoas não familiarizadas com a ferramenta elétrica ou com estas instruções a operem.** As ferramentas elétricas são perigosas nas mãos de usuários não treinados.

Segurança pessoal

10. **Fique alerta, preste atenção ao que está fazendo e use o bom senso ao operar uma ferramenta elétrica.** Não use uma ferramenta elétrica quando estiver cansado ou sob a influência de drogas, álcool ou medicamentos. Um momento de desatenção ao operar ferramentas elétricas pode resultar em lesões corporais graves.
11. **Use equipamento de proteção pessoal. Use sempre óculos de proteção.** Equipamentos de proteção (como máscaras contra pó, calçados de segurança antiderrapantes, capacetes ou proteção auditiva) usados para condições adequadas reduzirão lesões corporais.
12. **Evite ligar a ferramenta acidentalmente. Certifique-se de que o interruptor está na posição desligado antes de conectar a ferramenta à fonte de alimentação e/ou conjunto de baterias, levanta-la ou transportá-la.** Transportar ferramentas elétricas com o dedo no interruptor ou energizar ferramentas elétricas que estejam com o interruptor na posição ligado propicia acidentes.
13. **Retire qualquer tipo de chave ou instrumento de ajuste antes de ligar a ferramenta elétrica.** Um instrumento ou chave deixado acoplado a uma peça rotativa da ferramenta elétrica pode resultar em lesões corporais.
14. **Não adote uma postura forçada. Mantenha sempre o apoio dos pés e equilíbrio adequados.** Isto proporciona melhor controle da ferramenta elétrica em situações inesperadas.
15. **Vista-se adequadamente. Não use roupas largas nem joias. Mantenha seu cabelo, roupas e luvas longe das peças móveis.** Roupas largas, joias ou cabelos longos podem se prender nas peças móveis.
21. **Faça a manutenção das ferramentas elétricas.** Verifique a existência de desalinhamentos ou emperramentos das peças móveis, rachadura das peças e qualquer outra condição que possa afetar a operação da ferramenta elétrica. Caso seja danificada, a ferramenta elétrica deverá ser reparada antes do uso. Muitos acidentes são causados pela manutenção inadequada das ferramentas elétricas.
22. **Mantenha as ferramentas de corte afiadas e limpas.** A manutenção adequada das ferramentas de corte com bordas cortantes afiadas reduz a probabilidade de emperramento e facilita seu controle.
23. **Use a ferramenta elétrica, acessórios e componentes etc. de acordo com estas instruções, levando em consideração as condições de trabalho e o trabalho a ser realizado.** O uso da ferramenta elétrica em operações diferentes das designadas pode resultar em situações de risco.

Uso e cuidados com a ferramenta com bateria

24. **Recarregue somente com o carregador especificado pelo fabricante.** Um carregador que é adequado para um tipo de conjunto de baterias pode criar risco de incêndio quando usado com outro conjunto de baterias.
25. **Use as ferramentas elétricas somente com conjuntos de baterias especificamente designados.** O uso de quaisquer outros conjuntos de baterias pode criar risco de lesões e de incêndio.

26. Quando o conjunto de baterias não estiver em uso, mantenha-o longe de outros objetos metálicos (como cliques de papel, moedas, chaves, pregos, parafusos ou outros objetos metálicos pequenos) que possam fazer a conexão de um terminal com outro. Colocar os terminais da bateria em curto-circuito pode causar queimaduras ou um incêndio.
27. Em condições abusivas, pode ser expelido líquido da bateria; evite contato. Se ocorrer contato acidentalmente, lave com água. Se o líquido entrar em contato com os olhos, procure também ajuda médica. O líquido expelido da bateria pode causar irritação ou queimaduras.

Manutenção

28. Faça a manutenção de sua ferramenta elétrica com um técnico de reparos qualificado usando apenas peças de reposição idênticas. Isso garantirá que a segurança da ferramenta elétrica seja mantida.
29. Siga as instruções de lubrificação e troca de acessórios.
30. Mantenha as alças secas, limpas e livres de óleo e graxa.

Avisos de segurança sobre a bomba de vácuo a bateria

1. A ferramenta elétrica é uma máquina usada para esvaziar equipamentos de refrigeração e de ar-condicionado e recipientes de recuperação. Não a utilize para outras aplicações. Fazer isto pode resultar em acidentes.
2. Antes de usar a ferramenta elétrica, sempre a inspecione quanto a vazamentos de óleo. O não cumprimento deste requisito pode resultar em incêndio.
3. Verifique o nível e a condição do óleo (deterioração, etc.) para permitir um trabalho seguro e eficiente.
4. Talvez não seja possível obter um desempenho adequado em ambientes extremamente quentes ou frios.

GUARDE ESTAS INSTRUÇÕES.

AVISO: NÃO deixe que a comodidade ou familiaridade com o produto (adquirida pelo uso repetido) substitua a estrita observância das normas de segurança para o produto em questão.

O USO INCORRETO ou o não cumprimento das normas de segurança indicadas neste manual de instruções pode causar lesões corporais graves.

Instruções de segurança importantes sobre o cartucho de bateria

1. Antes de usar o cartucho de bateria, leia todas as instruções e marcações de precaução (1) no carregador da bateria, (2) na bateria e (3) no produto que usa a bateria.
2. Não desmonte o cartucho de bateria.

3. Se o tempo de operação tornar-se excessivamente curto, pare a operação imediatamente. Pode ocorrer risco de superaquecimento, possíveis queimaduras e até mesmo uma explosão.
4. Se entrar eletrólito nos olhos, lave-os com água limpa e procure ajuda médica imediatamente. Pode ocorrer perda da visão.
5. Não coloque o cartucho de bateria em curto-circuito:
 - (1) Não toque nos terminais com nenhum material condutor.
 - (2) Evite guardar o cartucho de bateria em um recipiente com outros objetos metálicos, como pregos, moedas, etc.
 - (3) Não exponha o cartucho de bateria à água ou à chuva.

Um curto-circuito da bateria pode causar um grande fluxo de corrente, superaquecimento, possíveis queimaduras e até mesmo avarias.
6. Não guarde a ferramenta e o cartucho de bateria em locais onde a temperatura possa atingir ou exceder 50°C.
7. Não incinere o cartucho de bateria, mesmo que esteja bastante danificado ou totalmente esgotado. O cartucho de bateria pode explodir no fogo.
8. Tenha cuidado para não derrubar nem bater na bateria.
9. Não use uma bateria danificada.
10. Siga as regulamentações locais relacionadas ao descarte da bateria.

GUARDE ESTAS INSTRUÇÕES.

PRECAUÇÃO: Use somente baterias Makita originais. O uso de baterias Makita não originais, ou de baterias que tenham sido alteradas, pode resultar no estouro da bateria, causando incêndios, lesões corporais e danos. Isso anulará também a garantia Makita da ferramenta e do carregador Makita.

Sugestões para manter a máxima vida útil da bateria

1. Carregue o cartucho de bateria antes que fique totalmente descarregado. Pare a operação da ferramenta e carregue o cartucho de bateria sempre que detectar menos potência da ferramenta.
2. Nunca recarregue um cartucho de bateria totalmente carregado. A sobrecarga reduz a vida útil da bateria.
3. Carregue o cartucho de bateria em temperatura ambiente, entre 10°C - 40°C. Se o cartucho de bateria estiver quente, aguarde até que esfrie antes de carregá-lo.
4. Carregue o cartucho de bateria se não for usá-lo por um longo período (mais de seis meses).

DESCRIÇÃO DAS PEÇAS

► Fig. 1:

- | | |
|---|-------------------------------|
| 1. Visor | 6. Bateria |
| 2. Tampa de abastecimento/ escoamento de óleo | 7. Interruptor de alimentação |
| 3. Válvula de corte da admissão | 8. Luz LED |
| 4. Alça | 9. Motor |
| 5. Suporte da bateria | 10. Base |
| | 11. Tanque de óleo |
| | 12. Bujão de drenagem |

DESCRIÇÃO FUNCIONAL

⚠PRECAUÇÃO: Certifique-se sempre de que a bomba está desligada e que o cartucho de bateria foi retirado antes de ajustar ou verificar qualquer função da bomba.

Instalar ou retirar o cartucho de bateria

⚠PRECAUÇÃO: Sempre desligue a bomba antes de instalar ou retirar o cartucho de bateria.

⚠PRECAUÇÃO: Segure a bomba e o cartucho de bateria com firmeza ao instalar ou retirar o cartucho de bateria. Se a bomba e o cartucho de bateria não forem segurados com firmeza, eles poderão escorregar de suas mãos e resultar em danos para a bomba e o cartucho de bateria e em lesões corporais.

► Fig. 2:

- | | |
|-----------------------|------------------------|
| 1. Indicador vermelho | 3. Cartucho de bateria |
| 2. Botão | |

Para retirar o cartucho de bateria, puxe-o para fora da bomba ao mesmo tempo que pressiona o botão na frente do cartucho.

Para instalar o cartucho de bateria, alinhe a lingueta no cartucho de bateria com a ranhura na carcaça e deslize-o até a posição correta. Insira-o até o fim, até encaixá-lo na posição correta com um pequeno clique. Se puder ver o indicador vermelho no lado superior do botão, significa que não está totalmente encaixado.

⚠PRECAUÇÃO: Sempre instale o cartucho de bateria completamente, até que o indicador vermelho não possa ser visto. Caso contrário, ele poderá cair acidentalmente da bomba causando lesões em você ou em alguém perto de você.

⚠PRECAUÇÃO: Não instale o cartucho de bateria fazendo força. Se o cartucho não deslizar com facilidade, significa que não está sendo inserido corretamente.

Sistema de proteção da bateria

► Fig. 3:

1. Marcação de estrela

A bomba é equipada com um sistema de proteção da bateria. O sistema corta automaticamente a energia para o motor a fim de prolongar a duração da bateria.

A bomba para automaticamente durante a operação se ela e/ou a bateria estiverem sujeitas a uma das seguintes condições:

Sobrecarga:

A bomba é operada de modo a absorver uma corrente anormalmente elevada.

Nesta situação, desligue a bomba e pare a aplicação que fez a bomba ficar sobrecarregada. Em seguida, ligue a bomba para reiniciá-la.

Se a bomba não iniciar, a bateria está superaquecida.

Nesta situação, aguarde até que a bateria esfrie antes de ligar a bomba novamente.

Baixa tensão da bateria:

A capacidade restante da bateria está muito baixa e a bomba não funcionará. Nesta situação, retire e recarregue a bateria.

NOTA: A proteção contra o superaquecimento funciona somente com um cartucho de bateria com marcação de estrela.

Indicar a capacidade restante da bateria

Somente para cartuchos de bateria com "B" no final do número do modelo

► Fig. 4:

1. Luzes indicadoras
2. Botão de verificação

Pressione o botão de verificação no cartucho de bateria para indicar a capacidade restante da bateria. As luzes indicadoras se acendem por alguns segundos.

Luzes indicadoras			Capacidade restante
Acesa	Apagada	Intermitente	
■	□	◐	75% a 100%
■	■	□	50% a 75%
■	■	□	25% a 50%
■	□	□	0% a 25%
◐	□	□	Carregue a bateria.
■	■	□	A bateria pode apresentar mau funcionamento.

NOTA: Dependendo das condições de uso e da temperatura ambiente, a indicação pode diferir ligeiramente da capacidade real.

OPERAÇÃO

A bomba não contém óleo quando recém-comprada. Consulte “Adicionar óleo” e adicione óleo.

⚠️ AVISO: Operar a bomba na condição sem óleo adicionado danificará a bomba. Além disso, o tanque de óleo ficará quente e poderá resultar em queimaduras ou outros acidentes.

Adicionar óleo

► Fig. 5:

- | | |
|---|-------------------|
| 1. Tampa de abastecimento/ escoamento de óleo | 2. Linha de nível |
| | 3. Visor |
| | 4. Tanque de óleo |
-
1. Retire a tampa de abastecimento/escoamento de óleo e adicione o óleo fornecido pelo orifício de abastecimento.

OBSERVAÇÃO: Use sempre óleo original Makita para manter o desempenho da bomba.

2. Adicione óleo até que o nível de óleo fique entre as linhas de nível superior e inferior do visor.

OBSERVAÇÃO: O nível de óleo é importante. Operar a bomba na condição em que o nível de óleo não esteja entre as linhas de nível superior e inferior pode resultar em mau funcionamento.

Verificar o desempenho

► Fig. 6:

- | | |
|-----------------------------|-------------------|
| 1. Admissão | 3. Bomba de vácuo |
| 2. Válvula lateral inferior | 4. Distribuidor |
-
1. Conecte a válvula lateral inferior do distribuidor e o orifício de admissão da bomba com uma mangueira de carregamento.
 2. Feche a válvula lateral inferior do distribuidor.
 3. Abra a válvula de corte da admissão.
 4. Abra a válvula de entrada.
 5. Ligue a bomba. Se a pressão do distribuidor indicar um vácuo de -0,09 a -0,1 MPa em 30 segundos, significa que a bomba está funcionando corretamente.
 6. Desligue a bomba.

Operação

► Fig. 7:

- | | |
|--|--|
| 1. Bomba de vácuo | 7. Válvula lateral superior |
| 2. Válvula de corte da admissão | 8. Mangueira de carregamento (azul) |
| 3. Mangueira de carregamento (amarela) | 9. Orifício de serviço (Lado de pressão baixa) |
| 4. Distribuidor | 10. Unidade externa |
| 5. Válvula lateral inferior | |
| 6. Manômetro de pressão baixa | |

1. Conecte a bomba, o distribuidor e a unidade externa com mangueiras.

NOTA: Quando o tamanho do orifício de serviço da unidade for 1/4", use o adaptador de diâmetro diferente fornecido.

2. Verifique se as válvulas lateral superior e lateral inferior do distribuidor estão fechadas.
3. Instale a bateria na bomba. (Consulte “Instalar ou retirar o cartucho de bateria” para ver o método de instalação.)
4. Ligue a bomba. A luz LED (verde) se acende.
5. Abra a válvula de corte da admissão da bomba e a válvula lateral inferior do distribuidor.

⚠️ AVISO: A bomba fica quente durante a operação e logo após parar. Não toque na bomba enquanto ela estiver quente. Fazer isto pode resultar em queimaduras ou outros acidentes.

NOTA: O motor pode não funcionar quando estiver frio (5°C ou menos). Nestes casos, traga a bomba para o ambiente interno e aguarde que ela se aqueça.

6. Quando o vácuo especificado (consulte o manual fornecido pelo fabricante do ar-condicionado) for atingido, feche a válvula lateral inferior do distribuidor.
7. Feche a válvula de corte da admissão e desligue a bomba.

Teste de estanqueidade ao ar

Não há vazamentos se a pressão do distribuidor não subir por 5 minutos ou mais após sair da bomba e do distribuidor.

NOTA: Quando a capacidade restante da bateria ficar baixa, a luz LED se apagará e, ao mesmo tempo, um aviso sonoro de alarme longo começará a soar. Cerca de dois minutos depois, o motor para. Em seguida, o aviso sonoro de alarme muda para avisos sonoros em intervalos curtos repetidos que notificam a parada do motor e, 30 segundos depois, os avisos sonoros param. Entretanto, não aguarde até que o motor pare (ou que o aviso sonoro de alarme mude para avisos sonoros curtos). Em vez disso, feche a válvula de entrada da ferramenta e a válvula lateral de pressão baixa do distribuidor.

Verifique se a bomba está desligada, retire a bateria e carregue-a ou troque-a por uma bateria sobressalente.

- Consulte a tabela a seguir para ver os tempos de operação da bateria.

Tempos de operação (diretriz)

Bateria	Tempos de operação
BL1860B	75 min
BL1850 / BL1850B	50 min
BL1840 / BL1840B	40 min
BL1830 / BL1830B	30 min

- Após terminar o trabalho, retire a bateria e coloque a tampa fornecida.

OBSERVAÇÃO: Ao transportar, operar e guardar a ferramenta, nunca a coloque de lado nem de cabeça para baixo. Isto pode causar vazamento de óleo pela tampa de abastecimento/respiro de óleo.

MANUTENÇÃO

⚠PRECAUÇÃO: Certifique-se sempre de que a bomba está desligada e que o cartucho de bateria foi retirado antes de tentar fazer a inspeção ou manutenção.

OBSERVAÇÃO: Nunca use gasolina, benzina, tiner, álcool ou produtos semelhantes. Fazer isto pode resultar em descoloração, deformação ou rachaduras.

Para manter a SEGURANÇA e CONFIABILIDADE do produto, os reparos (e quaisquer outras manutenções ou ajustes) deverão ser realizados pelos Centros de Assistência Técnica Autorizada ou de Fábrica da Makita, sempre usando peças de reposição Makita.

Verificar o óleo

► Fig. 8:

1. Linha de nível
 2. Visor
- Verifique sempre o nível e a condição do óleo (deterioração, etc.) antes de usar a bomba.

NOTA: Adicione óleo até que o nível de óleo fique entre as linhas de nível superior e inferior do visor.

Trocar o óleo

► Fig. 9:

1. Válvula de corte da admissão
 2. Bujão de drenagem
1. Abra a válvula de corte da admissão.
 2. Opere a bomba por um ou dois minutos para aquecer o óleo.
 3. Desligue a bomba.
 4. Retire o bujão de drenagem e drene o óleo.
 5. Consulte "Adicionar óleo" e adicione óleo novo.
- Descarte o óleo velho de acordo com as regulamentações locais.

NOTA: É recomendável trocar o óleo após 20 horas de utilização para proteger os componentes da bomba de contaminantes levados para dentro da bomba.

Ao aplicar vácuo em sistemas de refrigeração antigos, troque o óleo após cada utilização.

Limpar a bomba

1. Quando o óleo estiver extremamente sujo, troque-o e, em seguida, opere a bomba por 3 a 5 minutos.
2. Drene o óleo e adicione óleo novo.
Se o óleo drenado ainda estiver sujo, repita este processo de limpeza duas ou três vezes.

ACESSÓRIOS OPCIONAIS

⚠PRECAUÇÃO: Estes acessórios ou conexões são recomendados para uso com a ferramenta Makita especificada neste manual. O uso de quaisquer outros acessórios ou conexões pode apresentar risco de lesões às pessoas. Use o acessório ou conexão somente para sua finalidade indicada.

Se precisar de ajuda para obter mais detalhes sobre estes acessórios, entre em contato com o Centro de Assistência Técnica da Makita local.

- Baterias e carregadores originais Makita
- Óleo da bomba de vácuo (150 ml)
- Caixa de alumínio da bomba de vácuo
- Mangueira da bomba de vácuo
- Válvula da bomba de vácuo com manômetro

NOTA: Alguns itens da lista podem ser incluídos na embalagem da ferramenta como acessórios padrão. Eles podem variar de país para país.

Makita Corporation
3-11-8, Sumiyoshi-cho,
Anjo, Aichi 446-8502 Japan
www.makita.com

DVP180-9L(non-CE)-2001
EN, CS, CT, KR, ID, VI, TH, ES, BZ
20150824