



VN	VIETNAM
----	---------

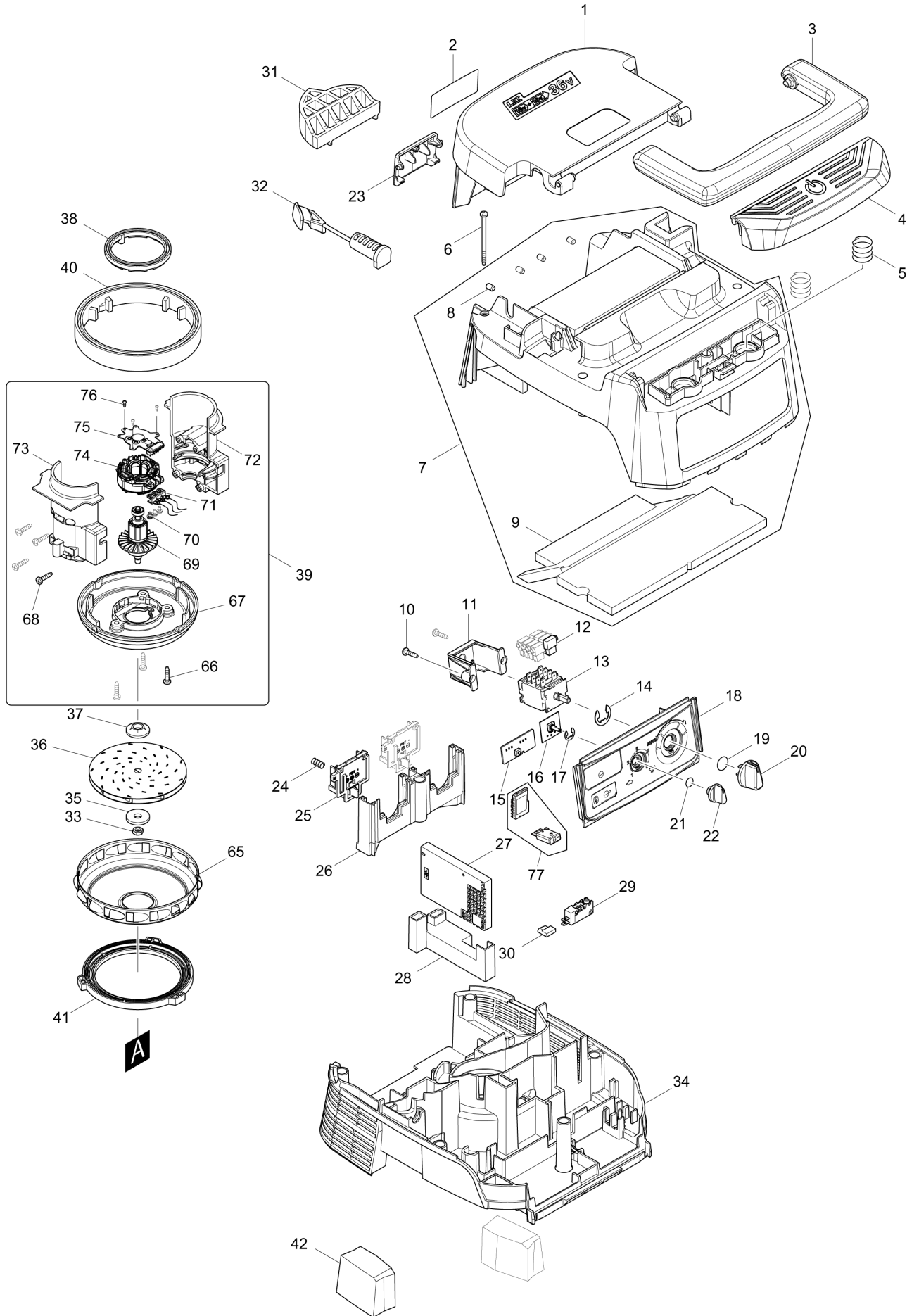
Diagram / Parts List

DVC864L

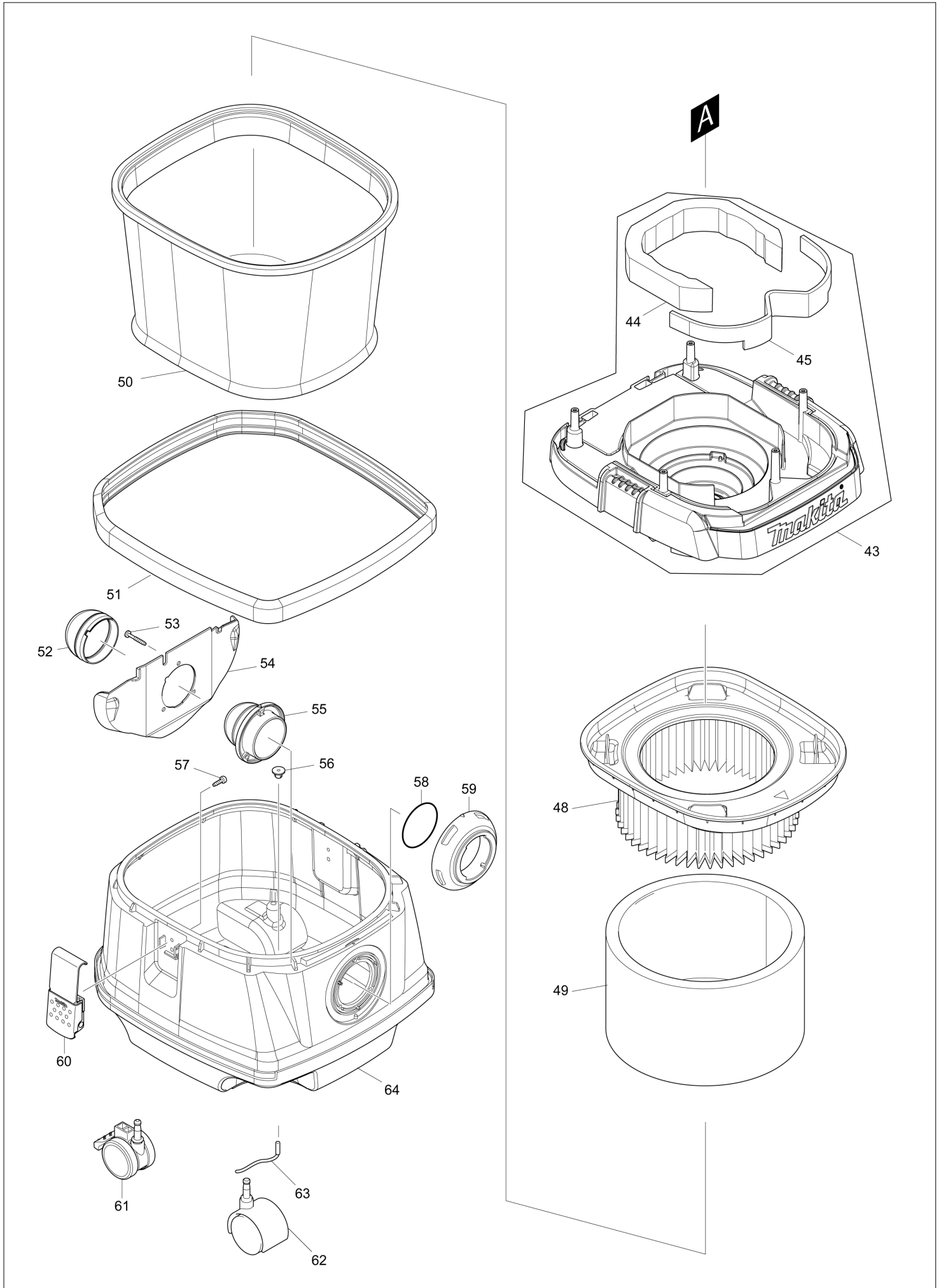
CORDLESS VACUUM CLEANER



(VN) DVC864L / CORDLESS VACUUM CLEANER



(VN) DVC864L / CORDLESS VACUUM CLEANER



VN	VIETNAM
-----------	----------------

DVC864L / CORDLESS VACUUM CLEANER

Item	Sub	Parts No.	Parts Description	Qty	I/C	E/C No.	Close No.	Remark
001		144486-9	BATTERY COVER COMPLETE	1				
	C10	891977-8	CAUTION LABEL	1				
002		853U58-2	DVC864L NAME PLATE	1				
003		455734-4	GRIP	1				
004		455730-2	SWITCH BUTTON	1			C6300	
004-1		459262-1	SWITCH BUTTON	1	<	C6300		
005		234273-5	COMPRESSION SPRING 20	2				
006		266340-8	TAPPING SCREW 4X65	6				
007		144973-8	COWLING COMPLETE	1				
	D10		INC. 8,9					
008		263005-3	RUBBER PIN 6	4				
009		424688-6	TOP DAMPER	1				
010		266326-2	TAPPING SCREW 4X18	2				
011		451343-7	SWITCH HOLDER	1				
012		686023-8	RECEPTACLE SLEEVE	8				
013		651098-6	SWITCH 1703.4801	1				
014		961062-2	STOP RING E-12	1				
015		620649-6	LED CIRCUIT	1				
016		631922-9	SUB CONTROLLER	1				
017		961013-5	STOP RING E-7	1				
018		144770-2	SWITCH BASE COMPLETE	1			C4774	
018-1		140H44-7	SWITCH BASE COMPLETE	1	<	C4774		
019		213176-6	O RING 14	1				
020		455733-6	SWITCH LEVER	1				
021		213054-0	O RING 9	1				
022		451344-5	SWITCH DIAL	1				
023		455728-9	BATTERY COVER HOOK	1				
024		231240-1	COMPRESSION SPRING 7	1				
025		644808-8	TERMINAL	2				
026		455729-7	TERMINAL BASE	1				
027		620726-4	CONTROLLER	1				
028		457609-3	CONTROLLER HOLDER	1				
029		651910-0	SWITCH D2VW-01-3HS	1				
030		686039-3	RECEPTACLE SLEEVE	1				
031		424981-8	SPACER	1				
032		424980-0	CAP	1				
033		931303-0	HEX. NUT M6	1			C4760	
033-1		252268-6	HEX. NUT M6	1	O	C4760		
034		455726-3	SEPARATER	1				
035		253752-4	FLAT WASHER 8	1				
036		240178-9	FAN 104	1				
037		313062-2	FLANGE	1				
038		424685-2	RUBBER RING 60	1				
039		123974-9	MOTOR ASSEMBLY	1				
	D10		INC. 66-76					
040		424686-0	RUBBER RING 120	1				
041		424687-8	SUPPORT RING	1				
042		424690-9	REAR BLOCK FILTER	2				
043		143175-3	TANK COVER COMPLETE	1				
	D10		INC. 44,45					
044		424691-7	BAND DAMPER	1				
045		424689-4	FRONT DAMPER	1				
048		197166-6	POWDER FILTER H SET	1				
049		423398-2	DAMPER	1				
050		140253-0	PRE-FILTER COMPLETE	1				
051		422148-2	BUMPER	1				
052		424382-0	RUBBER HOLDER	1				
053		266257-5	TAPPING SCREW 4X28	3				
054		419351-4	HOLDER PLATE	1				
055		419350-6	HOLDER	1				
056		421468-1	CORD SEAL	1				
057		266192-7	TAPPING SCREW 4X14	4				
058		213655-4	O RING 56	1				
059		451348-7	INLET	1				
060		168537-4	HOOK	2				

A:DVC864LZ(N)

Interchange
 O : Yes
 X : No
 < : the new part can be substituted for the current.
 > : the current part can be substituted for the new.
 S : Interchangeable as a set.

VN VIETNAM**DVC864L / CORDLESS VACUUM CLEANER**

Item	Sub	Parts No.	Parts Description	Qty	I/C	E/C No.	Close No.	Remark
061		168535-8	CASTER 50	2				
062		168434-4	CASTER 50	2				
063		649150-2	EARTH LINE 120	1				
064		457623-9	TANK	1				
065		347171-5	FAN COVER	1				
066		266326-2	TAPPING SCREW 4X18	3				
067		457486-3	FAN BASE	1				
068		266326-2	TAPPING SCREW 4X18	4				
069		619431-8	ROTOR	1			D0256	
069-1		619431-8	ROTOR	1	O	D0256		
070		652069-6	FLAT HEAD SCREW M3X6	3				
071		632J83-8	LEAD UNIT	1				
072		183F90-5	MOTOR HOUSING SET	1				
	D10		INC. 73					
073		183F90-5	MOTOR HOUSING SET	1				
	D10		INC. 72					
074		629256-2	STATOR	1				
075		620648-8	CONTROLLER B	1				
076		266490-9	TAPPING SCREW PT 2X6	3				
077		620755-7	WIRELESS UNIT COMPLETE	1			C0271	
077-1		620755-7	WIRELESS UNIT COMPLETE	1	O	C0271		
A01		195433-3	HOSE COMPLETE 28-3.5 SET	1				
	C10	417191-4	CUFF LOCK	1				
	C20	417586-1	STOPPER	1				
	C30	417662-1	SLEEVE	1				
	C40	417766-9	FRONT CUFF 38	1				
	D10		INC. A03,A04					
A02		195432-5	POLY BAG SET(650X650)	1				
A03		417765-1	FRONT CUFF 22	1				
A04		424379-9	FRONT CUFF 24	1				
A05		455732-8	TOOL BOX	1				
A06A		195434-1	HOSE COMPLETE 38-2.5 SET	1				
	C10	417191-4	CUFF LOCK	1				
	C20	417306-3	SLEEVE	2				
	C30	417307-1	FRONT CUFF	1				
	C40	417586-1	STOPPER	2				
A07A		122512-4	NOZZLE ASS'Y 38	1				
	C01	151449-8	ROLLER 40 COMPLETE	2				
	C06	415962-3	ROLLER 14	2				
	C11	256241-8	PIN 3	2				
	C16	265871-4	TAPPING SCREW BT 4X16	6				
	C21	154427-7	ELBOW JOINT COMPLETE	1				
	C26	415965-7	UPPER NOZZLE	1				
	C31	415964-9	JOINT HOLDER	1				
	C36	743328-0	BRUSH	1				
	C41	743327-2	WIPER	1				
A08A		192563-1	STRAIGHT PIPE SET 565-38	1				
A09A		192562-3	BENDING PIPE	1				
A10A		410306-2	CORNER NOZZLE	1				
A11A		451350-0	STOPPER	1				
A12A		911138-5	P.H.SCREW M4X20 WITH WR	1				

A:DVC864LZ(N)

Interchange

O : Yes

X : No

< : the new part can be substituted for the current.

> : the current part can be substituted for the new.

S : Interchangeable as a set.