



VN	VIETNAM
----	---------

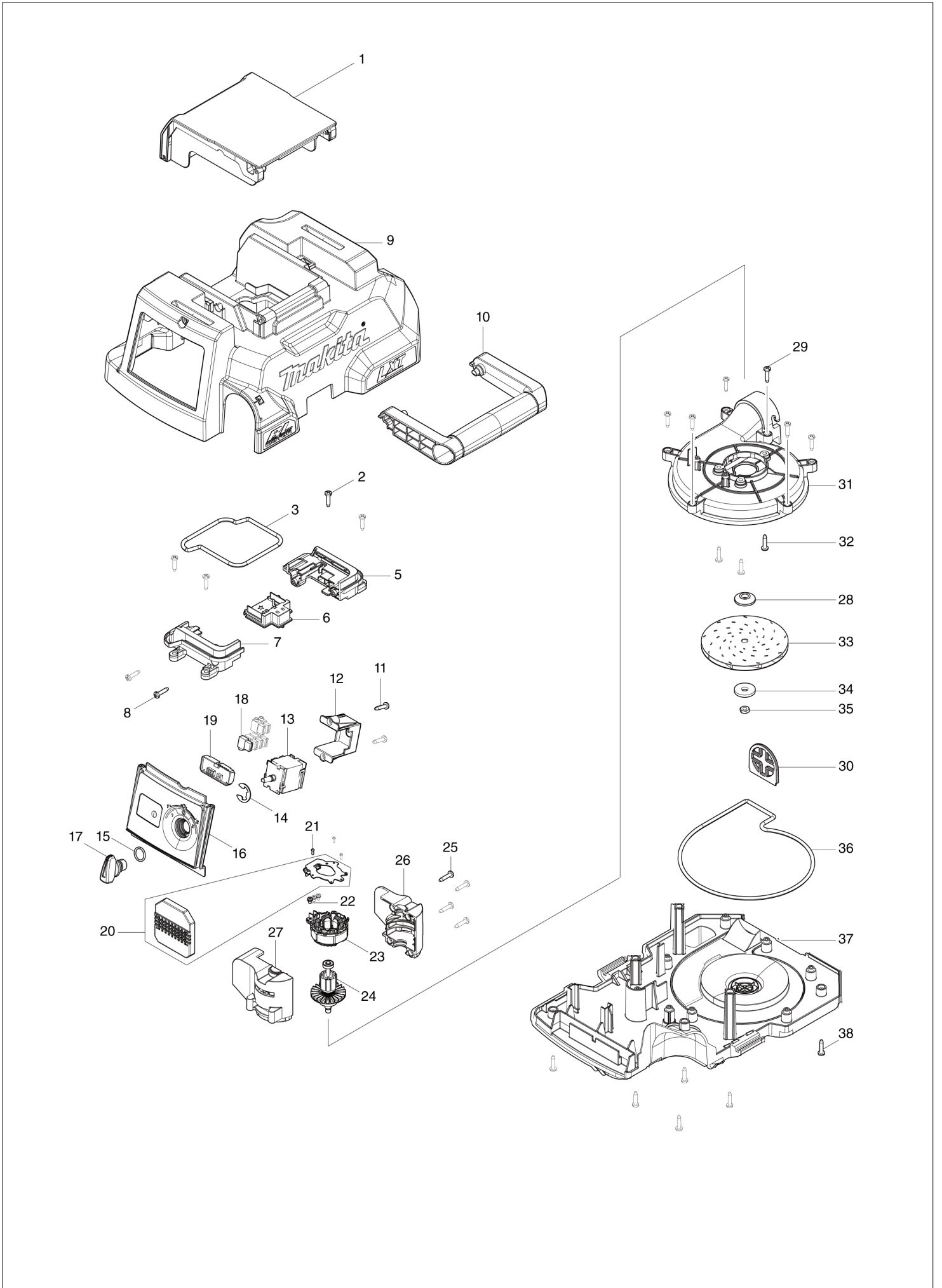
# Diagram / Parts List

**DVC750L**

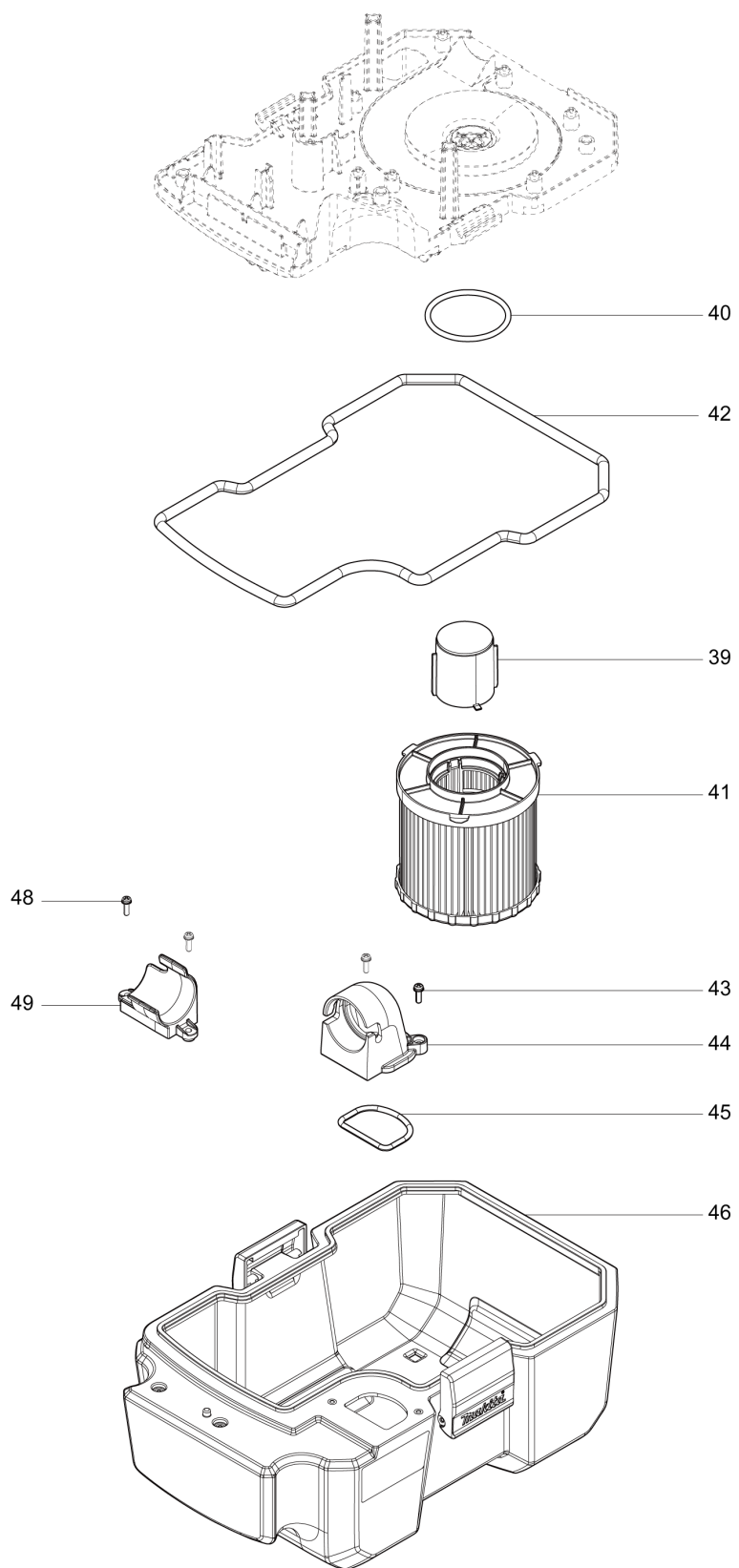
**DC PORTABLE VACUUM CLEANER**



(VN) DVC750L / DC PORTABLE VACUUM CLEANER



(VN) DVC750L / DC PORTABLE VACUUM CLEANER



<b>VN</b>	<b>VIETNAM</b>
-----------	----------------

### DVC750L / DC PORTABLE VACUUM CLEANER

Item	Sub	Parts No.	Parts Description	Qty	I/C	E/C No.	Close No.	Remark
001		458880-2	BATTERY COVER	1				
002		266326-2	TAPPING SCREW 4X18	4				
003		422368-8	SEAL RING E	1				
004		855A83-9	DVC750L SERIAL NO. LABEL	1				
005		183K69-6	TERMINAL CASE SET	1				
	D10		INC. 7					
006		644809-6	TERMINAL	1				
007		183K69-6	TERMINAL CASE SET	1				
	D10		INC. 5					
008		266326-2	TAPPING SCREW 4X18	2				
009		140G02-7	TOP COVER COMPLETE	1				
010		458886-0	HANDLE	1				
011		266326-2	TAPPING SCREW 4X18	2				
012		451343-7	SWITCH HOLDER	1				
013		651382-9	SWITCH 1703.4702	1				
014		961062-2	STOP RING E-12	1				
015		213176-6	O RING 14	1				
016		140G01-9	SWITCH BASE COMPLETE	1				
	C10	818F81-4	INDICATION LABEL	1				
017		457857-4	SWITCH LEVER	1				
018		686023-8	RECEPTACLE SLEEVE	6				
019		620A05-6	INDICATOR CIRCUIT	1				
020		620A06-4	CONTROLLER	1				
021		266490-9	TAPPING SCREW PT 2X6	3				
022		652069-6	FLAT HEAD SCREW M3X6	3				
023		629385-1	STATOR	1				
024		619540-3	ROTOR	1				
025		266326-2	TAPPING SCREW 4X18	4				
026		183K70-1	MOTOR HOUSING SET	1				
	D10		INC. 27					
027		183K70-1	MOTOR HOUSING SET	1				
	D10		INC. 26					
028		313062-2	FLANGE	1				
029		266326-2	TAPPING SCREW 4X18	6				
030		458973-5	FAN COVER GUARD	1				
031		458883-6	FAN COVER	1				
032		266326-2	TAPPING SCREW 4X18	3				
033		240178-9	FAN 104	1				
034		253752-4	FLAT WASHER 8	1				
035A		931303-0	HEX. NUT M6	1			C4760	
035-1A		252268-6	HEX. NUT M6	1	O	C4760		
035-1B		252268-6	HEX. NUT M6	1				
035-1C		252268-6	HEX. NUT M6	1				
036		422366-2	SEAL RING C	1				
037A		458881-0	TANK COVER	1			C5780	
037-1A		162641-1	TANK COVER COMPLETE	1	<	C5780		
	C10	422450-3	SPONGE SHEET	1		C5780		
037-1B		162641-1	TANK COVER COMPLETE	1				
	C10	422450-3	SPONGE SHEET	1				
037-1C		162641-1	TANK COVER COMPLETE	1				
	C10	422450-3	SPONGE SHEET	1				
038		266326-2	TAPPING SCREW 4X18	6				
039		140G00-1	FLOAT COMPLETE	1			D6119	
039-1		140G00-1	FLOAT COMPLETE	1	O	D6119		
040		422364-6	SEAL RING A	1				
041		162518-0	FILTER COMPLETE	1				
042		422367-0	SEAL RING D	1				
043		911123-8	PAN HEAD SCREW M4X14	2				
044		458888-6	INLET	1				
045		422365-4	SEAL RING B	1				
046		140G71-8	TANK COMPLETE	1				
	C10	162271-8	LATCH	2				
047		855A75-8	DVC750L NAME PLATE	1				
048		911123-8	PAN HEAD SCREW M4X14	2				
049		458887-8	HOSE HOOK	1				

A:DVC750LZ(N)  
 B:DVC750LZX1(N)  
 C:DVC750LZX3(N)

Interchange  
 O : Yes  
 X : No  
 < : the new part can be substituted for the current.  
 > : the current part can be substituted for the new.  
 S : Interchangeable as a set.

