



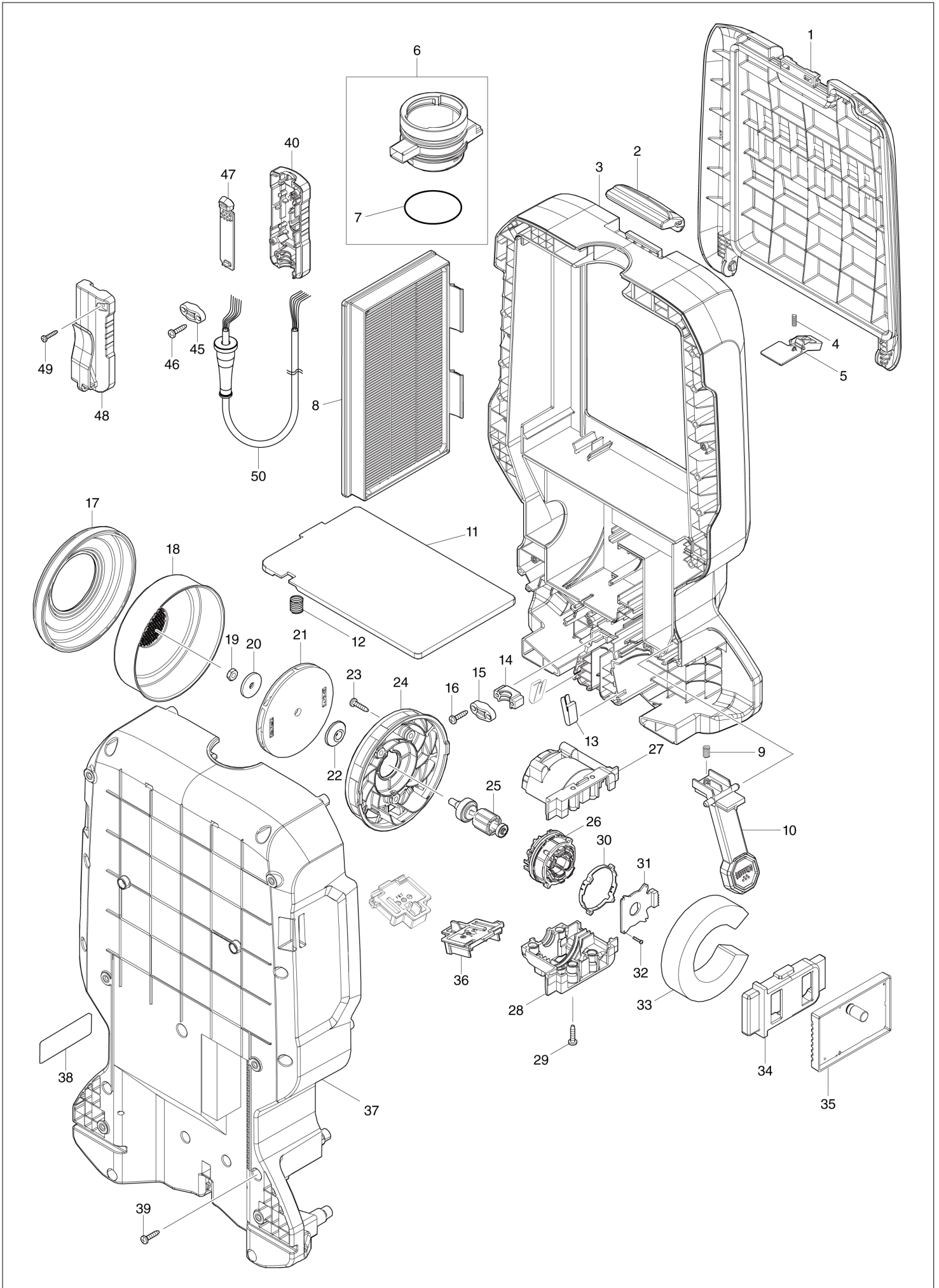
| | |
|----|---------|
| VN | VIETNAM |
|----|---------|

Diagram / Parts List

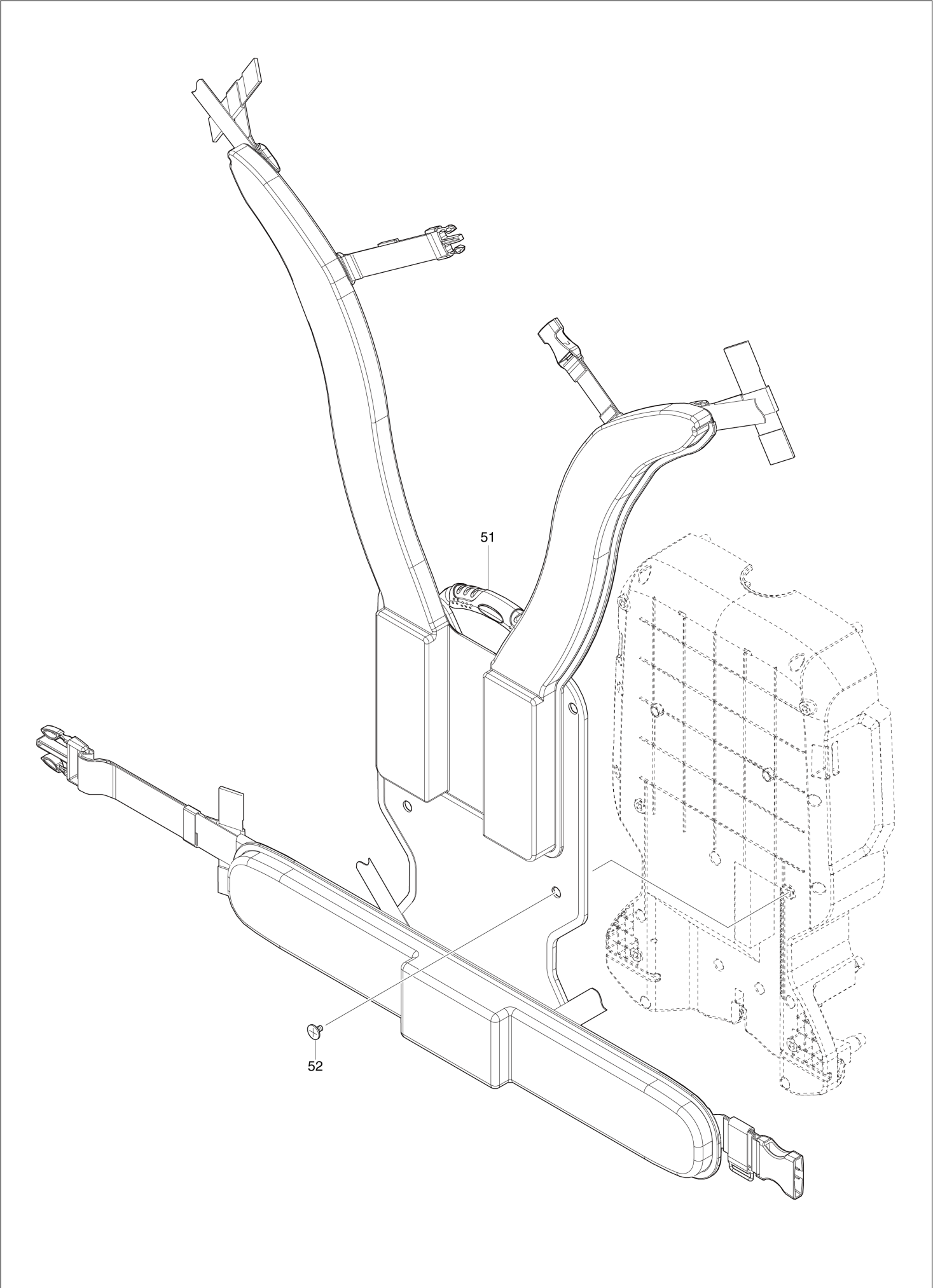
DVC660

DC BACKPACK VACUUM CLEANER

(VN) DVC660 / DC BACKPACK VACUUM CLEANER



(VN) DVC660 / DC BACKPACK VACUUM CLEANER



| | |
|-----------|----------------|
| VN | VIETNAM |
|-----------|----------------|

DVC660 / DC BACKPACK VACUUM CLEANER

| Item | Sub | Parts No. | Parts Description | Qty | I/C | E/C No. | Close No. | Remark |
|-------|-----|-----------|-------------------------------|-----|-----|---------|-----------|--------|
| 001 | | 140P97-4 | DUST BOX COVER COMPLETE | 1 | | | | |
| | C10 | 422536-3 | SEAL A | 1 | | | | |
| 002 | | 127480-6 | LATCH ASSEMBLY | 1 | | | | |
| 003 | | 140P91-6 | UPPER HOUSING COMPLETE | 1 | | | | |
| | C10 | 422534-7 | BAND DAMPER D | 1 | | | | |
| | C20 | 422550-9 | BAND DAMPER A | 1 | | | | |
| 004 | | 232389-0 | COMPRESSION SPRING 5 | 1 | | | | |
| 005 | | 459912-8 | STOPPER PLATE | 1 | | | | |
| 006 | | 135771-1 | INLET ASS'Y | 1 | | | | |
| | D10 | | INC. 7 | | | | | |
| 007 | | 213655-4 | O RING 56 | 1 | | | | |
| 008 | | 191D12-9 | MAIN FILTER H SET | 1 | | | | |
| 009 | | 232588-4 | COMPRESSION SPRING 6 | 1 | | | | |
| 010 | | 140P99-0 | LEVER 100 COMPLETE | 1 | | | | |
| 011 | | 459913-6 | PLATE | 1 | | | | |
| 012 | | 234141-2 | COMPRESSION SPRING 12 | 2 | | | | |
| 013 | | 232267-4 | LEAF SPRING | 2 | | | | |
| 014 | | 687051-6 | STRAIN RELIEF | 1 | | | | |
| 015 | | 687123-7 | STRAIN RELIEF | 1 | | | | |
| 016 | | 266326-2 | TAPPING SCREW 4X18 | 2 | | | | |
| 017 | | 422376-9 | SUPPORT RING | 1 | | | | |
| 018 | | 161804-6 | FAN COVER | 1 | | | | |
| 019 | | 252268-6 | HEX. NUT M6 | 1 | | | | |
| 020 | | 322407-3 | WASHER 6 | 1 | | | | |
| 021 | | 241851-4 | FAN 94 | 1 | | | | |
| 022 | | 313062-2 | FLANGE | 1 | | | | |
| 023 | | 266326-2 | TAPPING SCREW 4X18 | 3 | | | | |
| 024 | | 456736-3 | FAN BASE | 1 | | | | |
| 025 | | 619517-8 | ROTOR | 1 | | | | |
| 026 | | 629381-9 | STATOR | 1 | | | | |
| 027 | | 183D13-1 | MOTOR HOUSING SET | 1 | | | | |
| | D10 | | INC. 28 | | | | | |
| 028 | | 183D13-1 | MOTOR HOUSING SET | 1 | | | | |
| | D10 | | INC. 27 | | | | | |
| 029 | | 266326-2 | TAPPING SCREW 4X18 | 4 | | | | |
| 030 | | 687464-1 | SUPPORT | 1 | | | | |
| 031 | | 620526-2 | CONTROLLER B | 1 | | | | |
| 032 | | 266786-8 | + PAN HEAD TAPPING SCREW 2X10 | 4 | | | | |
| 033 | | 422370-1 | BAND DAMPER C | 1 | | | | |
| 034 | | 424837-5 | SUPPORT A | 1 | | | | |
| 035 | | 620C52-9 | CONTROLLER | 1 | | | | |
| 036 | | 644809-6 | TERMINAL | 2 | | | | |
| 037 | | 140P93-2 | LOWER HOUSING COMPLETE | 1 | | | | |
| | C10 | 422535-5 | BAND DAMPER E | 1 | | | | |
| | C20 | 422551-7 | BAND DAMPER B | 1 | | | | |
| 038 | | 856K43-4 | DVC660 NAME PLATE | 1 | | | | |
| 039 | | 266326-2 | TAPPING SCREW 4X18 | 13 | | | | |
| 040 | | 183K74-3 | SWITCH CASE SET | 1 | | | | |
| | C10 | 818F86-4 | SWITCH LABEL | 1 | | | | |
| | D10 | | INC. 48 | | | | | |
| 045 | | 687123-7 | STRAIN RELIEF | 1 | | | | |
| 046 | | 266326-2 | TAPPING SCREW 4X18 | 2 | | | | |
| 047 | | 620525-4 | SUB CONTROLLER | 1 | | | | |
| 048 | | 183K74-3 | SWITCH CASE SET | 1 | | | | |
| | C10 | 818F86-4 | SWITCH LABEL | 1 | | | | |
| | D10 | | INC. 40 | | | | | |
| 049 | | 266130-9 | TAPPING SCREW BIND PT 3X16 | 2 | | | | |
| 050 | | 699136-6 | POWER SUPPLY CORD UNIT | 1 | | | D6884 | |
| 050-1 | | 699136-6 | POWER SUPPLY CORD UNIT | 1 | O | D6884 | | |
| 051 | | 162700-1 | HARNESS | 1 | | | | |
| 052 | | 265008-3 | + FLAT HEAD SCREW M5 | 6 | | | | |
| A01 | | 199453-9 | HOSE COMPLETE 32-1.0 SET | 1 | | | | |
| A02 | | 166116-2 | HOSE BAND | 1 | | | | |
| A03 | | 191C26-2 | FILTER BAG SET | 1 | | | | |
| A04 | | 197901-2 | FLEXIBLE RUBBER NOZZLE SET EU | 1 | | | | |

Interchange
O : Yes
X : No
< : the new part can be substituted for the current.
> : the current part can be substituted for the new.
S : Interchangeable as a set.

