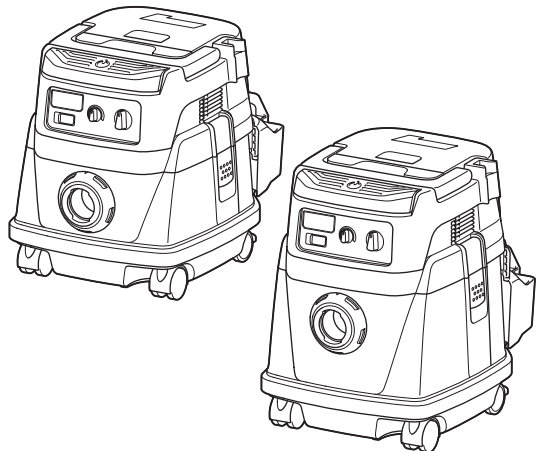




EN	Cordless Vacuum Cleaner	INSTRUCTION MANUAL	8
ZHCN	充电式小型集尘器	使用说明书	22
ID	Pengisap Debu Tanpa Kabel	PETUNJUK PENGGUNAAN	36
MS	Pembersih Hampagas Tanpa Wayar	MANUAL ARAHAN	50
VI	Máy Hút Bụi Cầm Tay Hoạt Động Bằng Pin	TÀI LIỆU HƯỚNG DẪN	65
TH	เครื่องดูดฝุ่นไร้สาย	คู่มือการใช้งาน	78

DVC867L
DVC157L



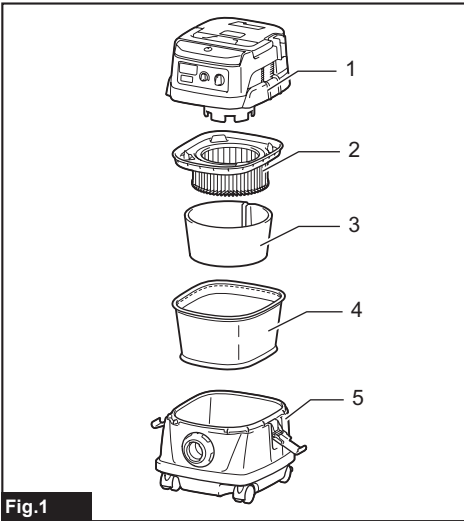


Fig.1

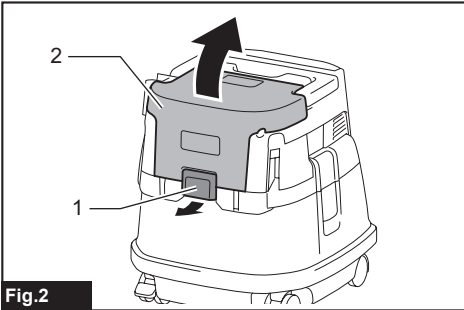


Fig.2

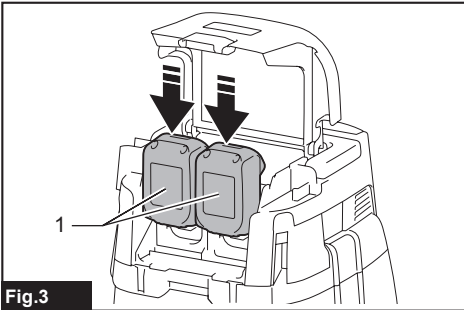


Fig.3

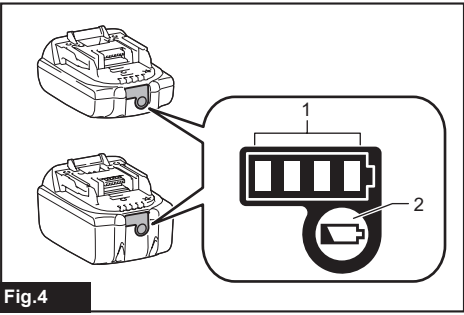


Fig.4

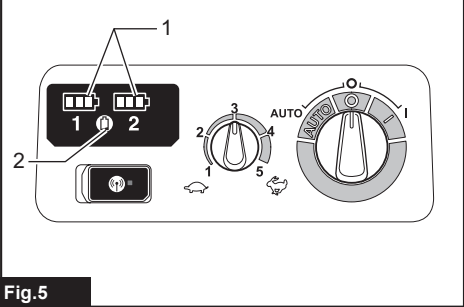


Fig.5

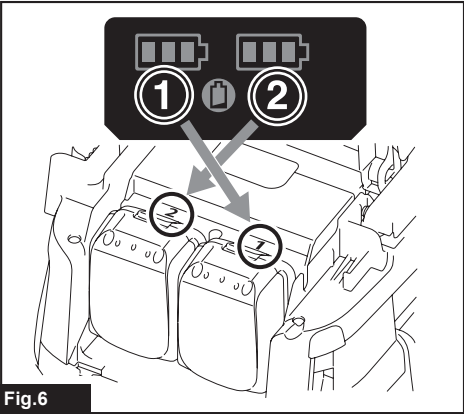


Fig.6

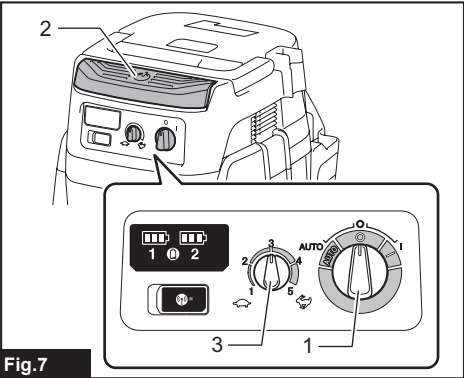


Fig.7

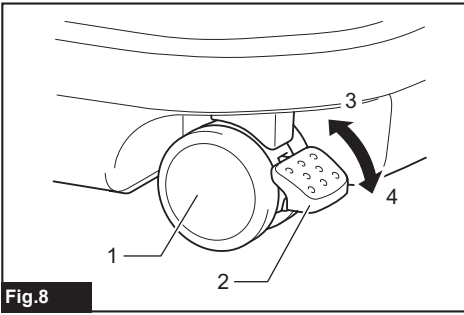


Fig.8

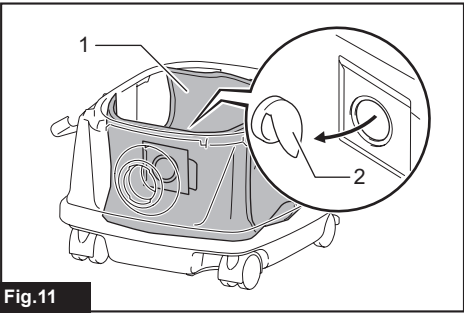


Fig.11

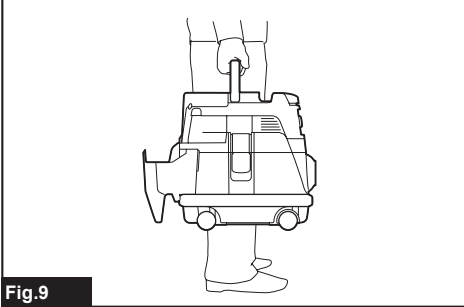


Fig.9

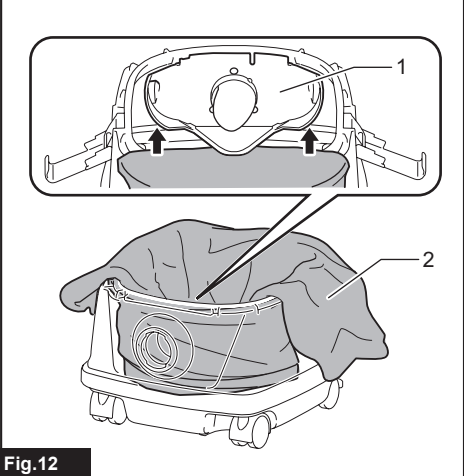


Fig.12

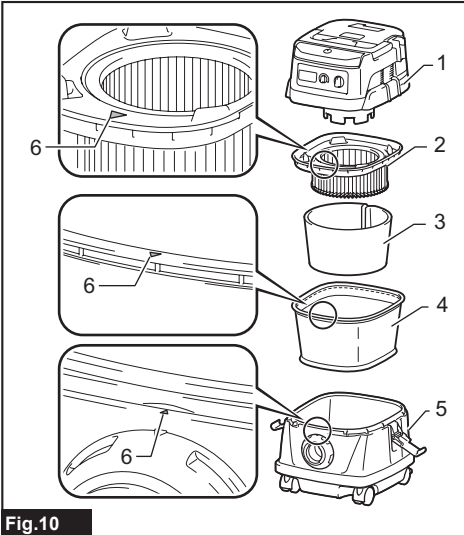


Fig.10

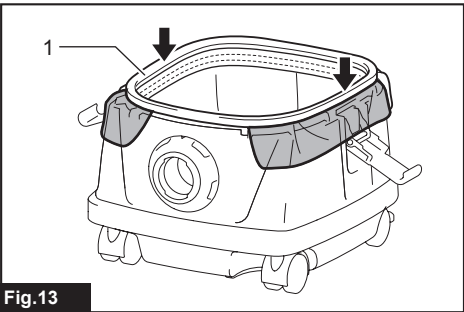


Fig.13

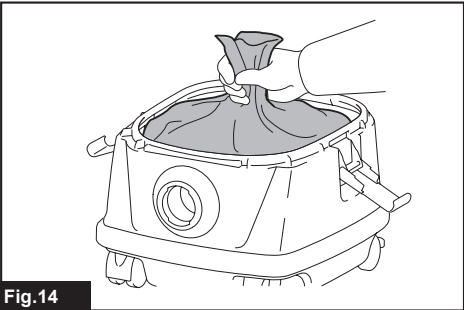


Fig.14

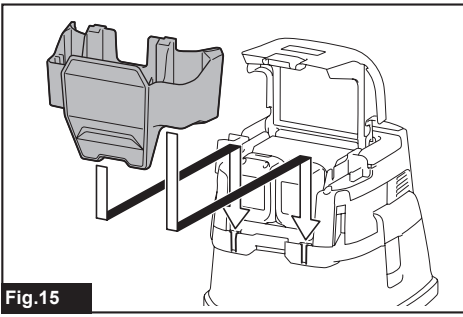


Fig.15

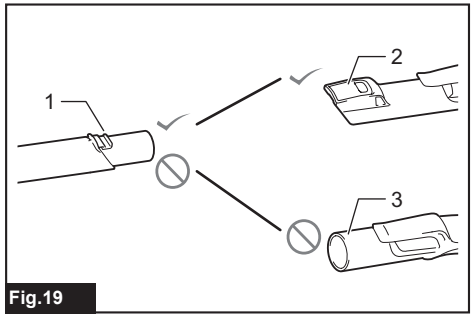


Fig.19

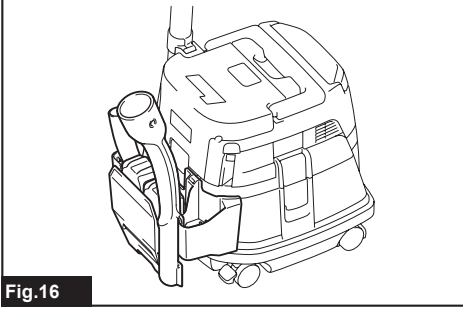


Fig.16

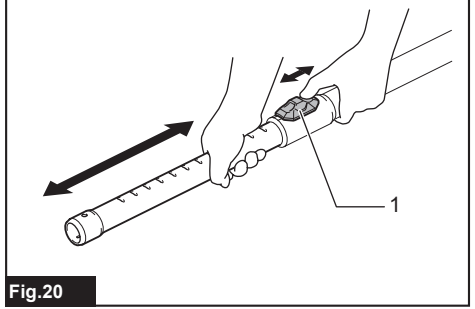


Fig.20

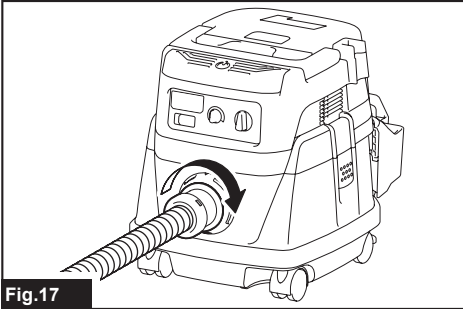


Fig.17

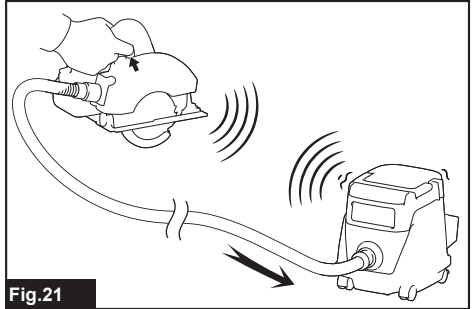


Fig.21

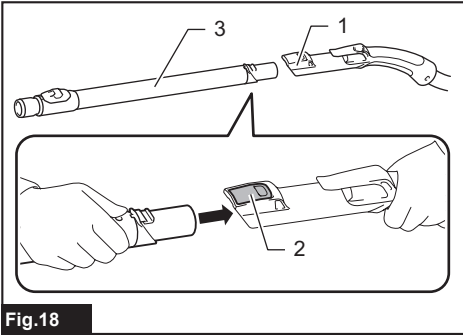


Fig.18

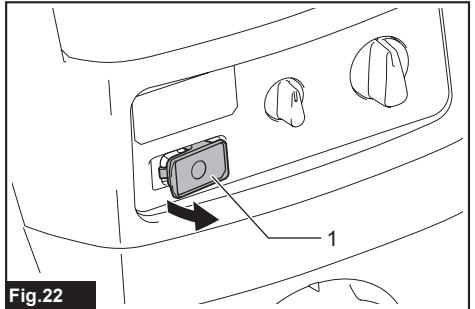


Fig.22

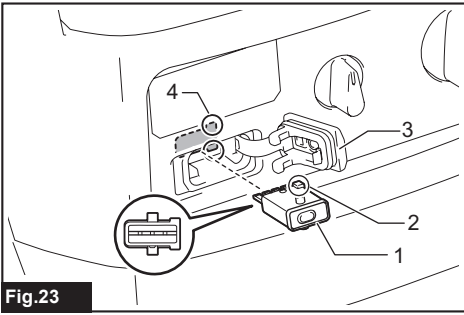


Fig.23

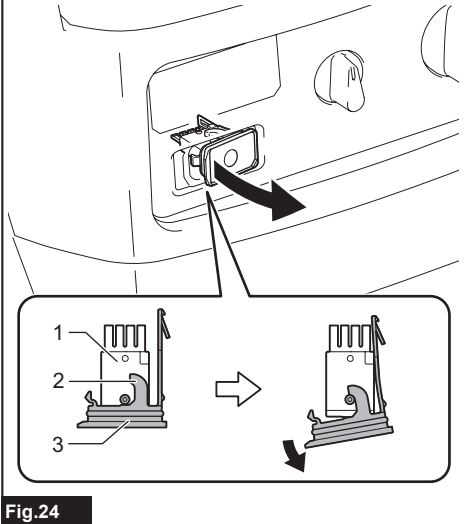


Fig.24

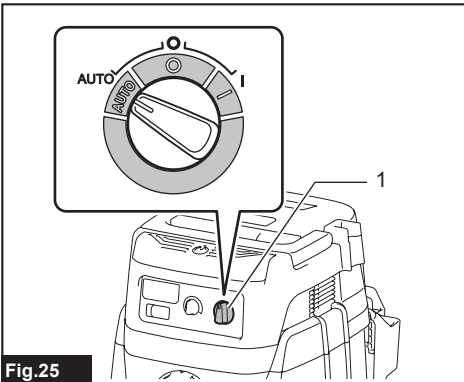


Fig.25

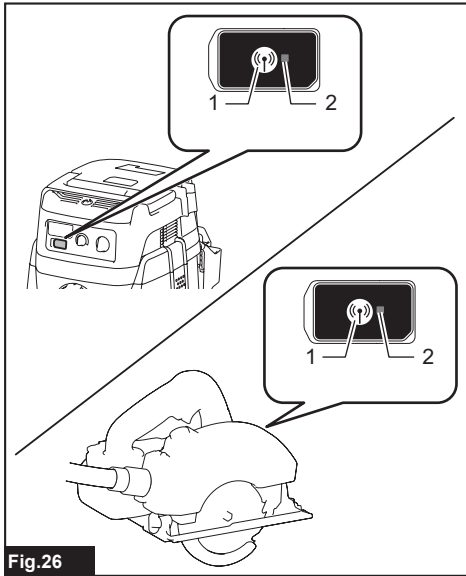


Fig.26

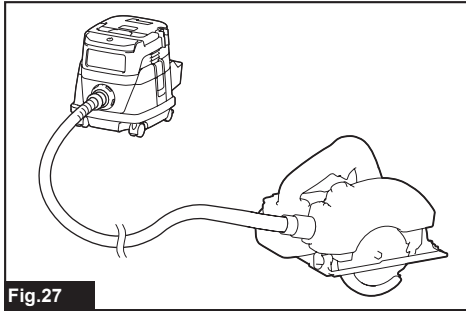


Fig.27

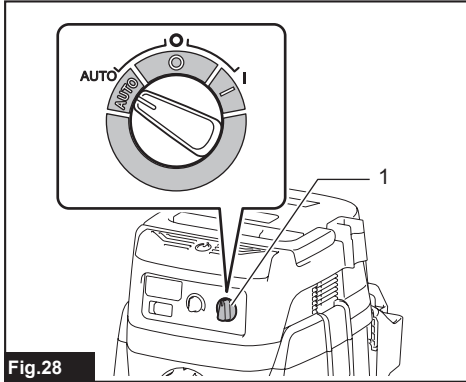


Fig.28

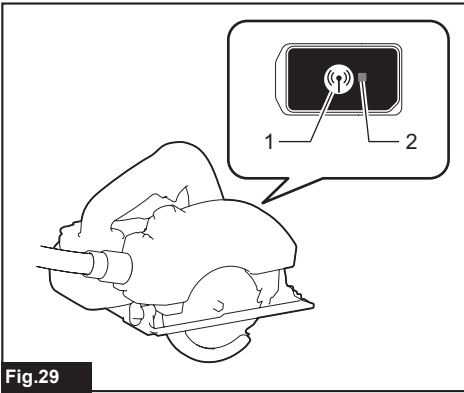


Fig. 29

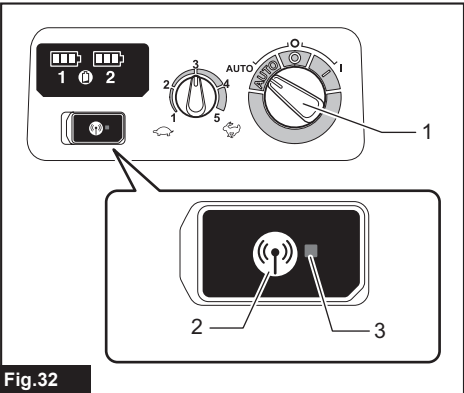


Fig. 32

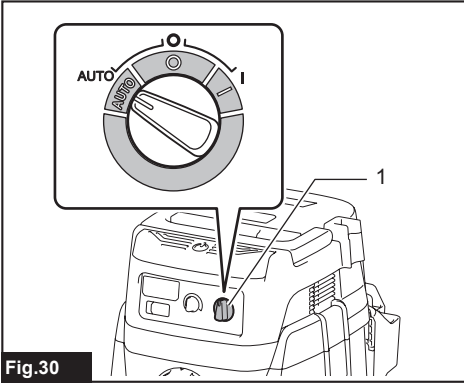


Fig. 30

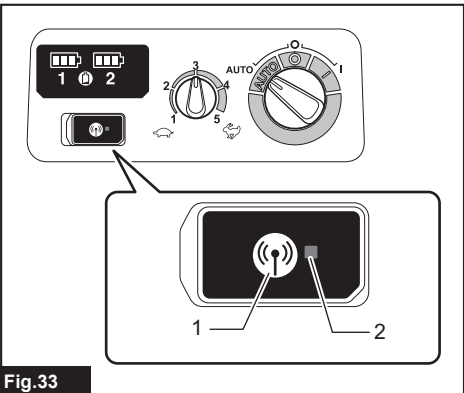


Fig. 33

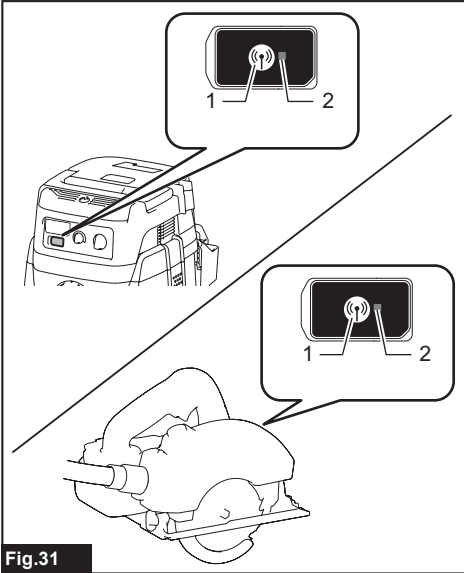


Fig. 31

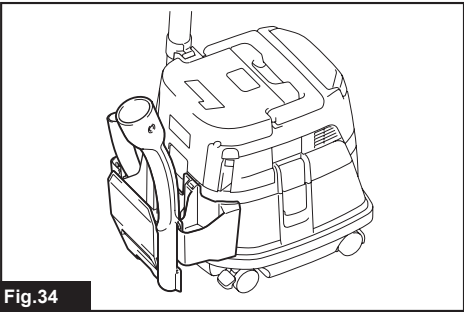


Fig. 34

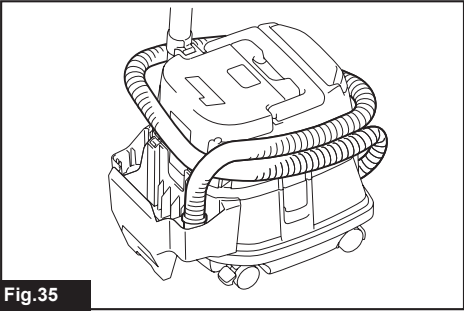


Fig. 35

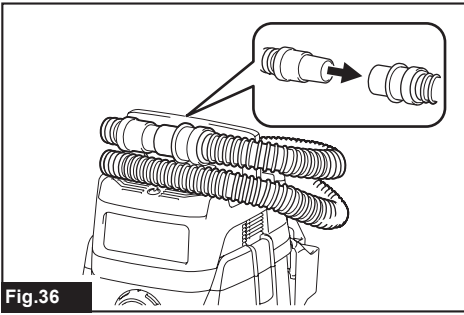


Fig.36

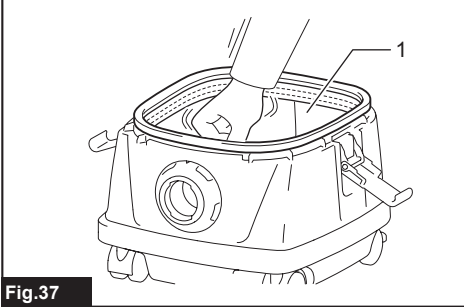


Fig.37

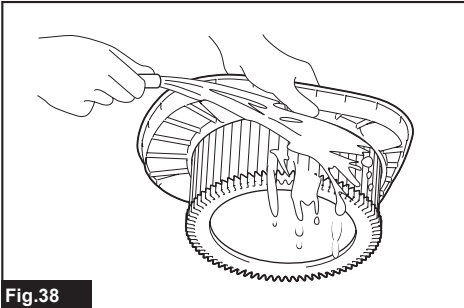


Fig.38

WARNING

- This machine is not intended for use by persons including children with reduced physical, sensory or mental capabilities, or lack of experience and knowledge.
- Children should be supervised to ensure that they do not play with the cleaner.
- See the chapter "SPECIFICATIONS" for the type reference of the battery.
- See the section "Installing or removing battery cartridge" for how to remove or install the battery.
- When disposing the battery cartridge, remove it from the tool and dispose of it in a safe place. Follow your local regulations relating to disposal of battery.
- If the tool is not used for a long period of time, the battery must be removed from the tool.
- Do not short the battery cartridge.
- See the chapter "MAINTENANCE" for the appropriate details of precautions during user maintenance.

SPECIFICATIONS

Model:	DVC867L	DVC157L
Standard filter type	Powder filter (for dry dust)	
Maximum air volume (with BL1850B, Φ 38 mm x 2.5 m hose)	2.4 m ³ /min	
Vacuum (with BL1850B, Φ 38 mm x 2.5 m hose)	11 kPa	
Recoverable capacity	8 L	15 L
Dimensions (L x W x H)	366 mm x 334 mm x 368 mm	366 mm x 334 mm x 421 mm
Rated voltage	D.C. 36 V	
Net weight	7.7 - 8.4 kg	8.0 - 8.6 kg
Protection degree	IPX4	

- Due to our continuing program of research and development, the specifications herein are subject to change without notice.
- Specifications and battery cartridge may differ from country to country.
- The weight does not include accessories but battery cartridge(s). The lightest and heaviest combination weight of the appliance and battery cartridge(s) are shown in the table.

Applicable battery cartridge and charger







Battery cartridge	BL1815N / BL1820B / BL1830B / BL1840B / BL1850B / BL1860B
Charger	DC18RC / DC18RD / DC18RE / DC18SD / DC18SE / DC18SF / DC18SH

- Some of the battery cartridges and chargers listed above may not be available depending on your region of residence.

⚠ WARNING: Only use the battery cartridges and chargers listed above. Use of any other battery cartridges and chargers may cause injury and/or fire.

Symbols

The followings show the symbols which may be used for the equipment. Be sure that you understand their meaning before use.

	Read instruction manual.
	Take particular care and attention.
	Warning! The cleaner may contain hazardous dust.
	Never stand on the cleaner.
	Dust class L (light). The cleaners are capable of picking up dust class L. Follow your country's regulations relating to dusts and to occupational health and safety.
	Only for EU countries Due to the presence of hazardous components in the equipment, waste electrical and electronic equipment, accumulators and batteries may have a negative impact on the environment and human health. Do not dispose of electrical and electronic appliances or batteries with household waste! In accordance with the European Directive on waste electrical and electronic equipment and on accumulators and batteries and waste accumulators and batteries, as well as their adaptation to national law, waste electrical equipment, batteries and accumulators should be stored separately and delivered to a separate collection point for municipal waste, operating in accordance with the regulations on environmental protection. This is indicated by the symbol of the crossed-out wheeled bin placed on the equipment.

Intended use

The tool is intended for collecting dry dust. The tool is suitable for commercial use, for example in hotels, schools, hospitals, factories, shops, offices and rental businesses.

SAFETY WARNINGS

Cordless vacuum cleaner safety warnings

⚠ WARNING: IMPORTANT! READ CAREFULLY all safety warnings and all instructions BEFORE USE. Failure to follow the warnings and instructions may result in electric shock, fire and/or serious injury.

- Before use, make sure that this cleaner must be used by people who have been adequately instructed on the use of this cleaner.**
- Before use, operators shall be provided with information, instruction and training for the use of the machine and the substances for which it is to be used, including the safe method of removal and disposal of the material collected.**
- Do not use the cleaner without the filter. Replace a damaged filter immediately.**
- AVOID UNINTENTIONAL STARTING.** Be sure switch is OFF when installing battery(ies).
- Do not attempt to pick up flammable materials, fire works, lighted cigarettes, hot ashes, hot metal chips, sharp materials such as razors, needles, broken glass or the like.**
- NEVER USE THE CLEANER IN THE VICINITY OF GASOLINE, GAS, PAINT, ADHESIVES OR OTHER HIGHLY EXPLOSIVE SUBSTANCES.** The switch emits sparks when turned ON and OFF. And so does the motor commutator during operation. A dangerous explosion may result.
- Never vacuum up toxic, carcinogenic, combustible or other hazardous materials such as asbestos, arsenic, barium, beryllium, lead, pesticides, or other health endangering materials.**
- Always place the cleaner on a horizontal flat surface to prevent it from falling or moving unintentionally.**
- Never use the cleaner outdoors in the rain.**
- For Finland, this machine is not to be used outdoors at low temperature.**
- Do not use close to heat sources (stoves, etc.).**
- If the exhaust air is returned to the room, it is necessary to provide for an adequate air change rate in the room. Reference to National regulations is necessary.**
- Do not block suction inlet/outlet/cooling vents.** These vents permit cooling of the motor. Blockage should be carefully avoided otherwise the motor will burn out due to a lack of ventilation.
- Keep proper footing and balance at all times.**
- Do not fold, tug or step on the hose.**
- Stop the cleaner immediately if you notice poor performance or anything abnormal during operation.**
- REMOVE THE BATTERY(IES).** When not in use, before servicing, and when changing accessories.
- Clean and service the cleaner immediately after each use to keep it in tiptop operating condition.**
- MAINTAIN THE CLEANER WITH CARE.** Keep the cleaner clean for better and safer performance. Follow instructions for changing accessories. Keep handles dry, clean, and free from oil and grease.

20. **CHECK DAMAGED PARTS.** Before further use of the cleaner, a guard or other part that is damaged should be carefully checked to determine that it will operate properly and perform its intended function. Check for alignment of moving parts, binding of moving parts, breakage of parts, mounting, and any other conditions that may affect its operation. A guard or other part that is damaged should be properly repaired or replaced by an authorized service center unless otherwise indicated elsewhere in this instruction manual. Have defective switches replaced by authorized service center. Don't use the cleaner if switch does not turn it on and off.
21. For user servicing, the machine shall be dismantled, cleaned and serviced, as far as is reasonably practicable, without causing risk to the maintenance staff and others.
22. The machine should be technically inspected by the manufacturer, or an instructed person, at least annually, consisting of, for example, inspection of filters for damage, air tightness of the machine and proper function of the control mechanism.
23. When carrying out service or repair operations, all contaminated items which cannot be satisfactorily cleaned are to be disposed of; such items shall be disposed of in impervious bags in accordance with any current regulation for the disposal of such waste.
24. **REPLACEMENT PARTS.** When servicing, use only identical replacement parts.
25. When not in use, always store the cleaner indoors.
26. Be kind to your cleaner. Rough handling can cause breakage of even the most sturdily built cleaner.
27. Do not attempt to clean the exterior or interior with benzine, thinner or cleaning chemicals. Cracks and discoloration may be caused.
28. Do not use cleaner in an enclosed space where flammable, explosive or toxic vapors are given off by oil-base paint, paint-thinner, gasoline, some mothproofing substances, etc., or in areas where flammable dust is present.
29. Do not operate the cleaner or any tool while under the influence of drugs or alcohol.
30. As a basic rule of safety, use safety goggles or safety glasses with side shields.
31. Use a dust mask in dusty work conditions.
32. This machine is not intended for use by persons including children with reduced physical, sensory or mental capabilities, or lack of experience and knowledge.
33. Children should be supervised to ensure that they do not play with the cleaner.
34. Never handle battery(ies) and cleaner with wet hands.
35. Use extreme caution when cleaning on stairs.
36. Do not use the cleaner as a stool or work bench. The machine may fall down and may result in personal injury.

Battery tool use and care

1. **Recharge only with the charger specified by the manufacturer.** A charger that is suitable for one type of battery pack may create a risk of fire when used with another battery pack.
2. **Use power tools only with specifically designated battery packs.** Use of any other battery packs may create a risk of injury and fire.
3. **When battery pack is not in use, keep it away from other metal objects, like paper clips, coins, keys, nails, screws or other small metal objects, that can make a connection from one terminal to another.** Shorting the battery terminals together may cause burns or a fire.
4. **Under abusive conditions, liquid may be ejected from the battery; avoid contact. If contact accidentally occurs, flush with water. If liquid contacts eyes, additionally seek medical help.** Liquid ejected from the battery may cause irritation or burns.
5. **Do not use a battery pack or tool that is damaged or modified.** Damaged or modified batteries may exhibit unpredictable behaviour resulting in fire, explosion or risk of injury.
6. **Do not expose a battery pack or tool to fire or excessive temperature.** Exposure to fire or temperature above 130 °C may cause explosion.
7. **Follow all charging instructions and do not charge the battery pack or tool outside the temperature range specified in the instructions.** Charging improperly or at temperatures outside the specified range may damage the battery and increase the risk of fire.

SAVE THESE INSTRUCTIONS.

⚠WARNING: DO NOT let comfort or familiarity with product (gained from repeated use) replace strict adherence to safety rules for the subject product. MISUSE or failure to follow the safety rules stated in this instruction manual may cause serious personal injury.

Important safety instructions for battery cartridge

1. Before using battery cartridge, read all instructions and cautionary markings on (1) battery charger, (2) battery, and (3) product using battery.
2. Do not disassemble or tamper with the battery cartridge. It may result in a fire, excessive heat, or explosion.
3. If operating time has become excessively shorter, stop operating immediately. It may result in a risk of overheating, possible burns and even an explosion.
4. If electrolyte gets into your eyes, rinse them out with clear water and seek medical attention right away. It may result in loss of your eyesight.

5. **Do not short the battery cartridge:**
 - (1) **Do not touch the terminals with any conductive material.**
 - (2) **Avoid storing battery cartridge in a container with other metal objects such as nails, coins, etc.**
 - (3) **Do not expose battery cartridge to water or rain.**

A battery short can cause a large current flow, overheating, possible burns and even a breakdown.

6. **Do not store and use the tool and battery cartridge in locations where the temperature may reach or exceed 50 °C (122 °F).**
7. **Do not incinerate the battery cartridge even if it is severely damaged or is completely worn out. The battery cartridge can explode in a fire.**
8. **Do not nail, cut, crush, throw, drop the battery cartridge, or hit against a hard object to the battery cartridge.** Such conduct may result in a fire, excessive heat, or explosion.
9. **Do not use a damaged battery.**
10. **The contained lithium-ion batteries are subject to the Dangerous Goods Legislation requirements.**

For commercial transports e.g. by third parties, forwarding agents, special requirement on packaging and labeling must be observed.

For preparation of the item being shipped, consulting an expert for hazardous material is required. Please also observe possibly more detailed national regulations.

Tape or mask off open contacts and pack up the battery in such a manner that it cannot move around in the packaging.

11. **When disposing the battery cartridge, remove it from the tool and dispose of it in a safe place. Follow your local regulations relating to disposal of battery.**
12. **Use the batteries only with the products specified by Makita.** Installing the batteries to non-compliant products may result in a fire, excessive heat, explosion, or leak of electrolyte.
13. **If the tool is not used for a long period of time, the battery must be removed from the tool.**
14. **During and after use, the battery cartridge may take on heat which can cause burns or low temperature burns. Pay attention to the handling of hot battery cartridges.**
15. **Do not touch the terminal of the tool immediately after use as it may get hot enough to cause burns.**
16. **Do not allow chips, dust, or soil stuck into the terminals, holes, and grooves of the battery cartridge.** It may result in poor performance or breakdown of the tool or battery cartridge.
17. **Unless the tool supports the use near high-voltage electrical power lines, do not use the battery cartridge near high-voltage electrical power lines.** It may result in a malfunction or breakdown of the tool or battery cartridge.
18. **Keep the battery away from children.**

SAVE THESE INSTRUCTIONS.

⚠CAUTION: Only use genuine Makita batteries. Use of non-genuine Makita batteries, or batteries that have been altered, may result in the battery bursting causing fires, personal injury and damage. It will also void the Makita warranty for the Makita tool and charger.

Tips for maintaining maximum battery life

1. **Charge the battery cartridge before completely discharged. Always stop tool operation and charge the battery cartridge when you notice less tool power.**
2. **Never recharge a fully charged battery cartridge. Overcharging shortens the battery service life.**
3. **Charge the battery cartridge with room temperature at 10 °C - 40 °C (50 °F - 104 °F). Let a hot battery cartridge cool down before charging it.**
4. **When not using the battery cartridge, remove it from the tool or the charger.**
5. **Charge the battery cartridge if you do not use it for a long period (more than six months).**

Important safety instructions for wireless unit

1. **Do not disassemble or tamper with the wireless unit.**
2. **Keep the wireless unit away from young children. If accidentally swallowed, seek medical attention immediately.**
3. **Use the wireless unit only with Makita tools.**
4. **Do not expose the wireless unit to rain or wet conditions.**
5. **Do not use the wireless unit in places where the temperature exceeds 50 °C (122 °F).**
6. **Do not operate the wireless unit in places where medical instruments, such as heart pace makers are nearby.**
7. **Do not operate the wireless unit in places where automated devices are nearby.** If operated, automated devices may develop malfunction or error.
8. **Do not operate the wireless unit in places under high temperature or places where static electricity or electrical noise could be generated.**
9. **The wireless unit can produce electromagnetic fields (EMF) but they are not harmful to the user.**
10. **The wireless unit is an accurate instrument. Be careful not to drop or strike the wireless unit.**
11. **Avoid touching the terminal of the wireless unit with bare hands or metallic materials.**
12. **Always remove the battery on the product when installing the wireless unit into it.**
13. **When opening the lid of the slot, avoid the place where dust and water may come into the slot. Always keep the inlet of the slot clean.**

14. Always insert the wireless unit in the correct direction.
15. Do not press the wireless activation button on the wireless unit too hard and/or press the button with an object with a sharp edge.
16. Always close the lid of the slot when operating.
17. Do not remove the wireless unit from the slot while the power is being supplied to the tool. Doing so may cause a malfunction of the wireless unit.
18. Do not remove the sticker on the wireless unit.
19. Do not put any sticker on the wireless unit.
20. Do not leave the wireless unit in a place where static electricity or electrical noise could be generated.
21. Do not leave the wireless unit in a place subject to high heat, such as a car sitting in the sun.
22. Do not leave the wireless unit in a dusty or powdery place or in a place corrosive gas could be generated.
23. Sudden change of the temperature may bedew the wireless unit. Do not use the wireless unit until the dew is completely dried.
24. When cleaning the wireless unit, gently wipe with a dry soft cloth. Do not use benzine, thinner, conductive grease or the like.
25. When storing the wireless unit, keep it in the supplied case or a static-free container.
26. Do not insert any devices other than Makita wireless unit into the slot on the tool.
27. Do not use the tool with the lid of the slot damaged. Water, dust, and dirt come into the slot may cause malfunction.
28. Do not pull and/or twist the lid of the slot more than necessary. Restore the lid if it comes off from the tool.
29. Replace the lid of the slot if it is lost or damaged.

SAVE THESE INSTRUCTIONS.

PARTS DESCRIPTION

- Fig.1: 1. Tank cover 2. Powder filter (HEPA)
3. Damper 4. Prefilter 5. Tank

FUNCTIONAL DESCRIPTION

CAUTION: Always be sure that the tool is switched off and the battery cartridge is removed before adjusting or checking function on the tool.

Installing or removing battery cartridge

CAUTION: Always switch off the tool before installing or removing of the battery cartridge.

CAUTION: Hold the cleaner and the battery cartridge firmly when installing or removing battery cartridge. Failure to hold the cleaner and the battery cartridge firmly may cause them to slip off your hands and result in damage to the cleaner and battery cartridge and a personal injury.

CAUTION: Be careful not to pinch your fingers when opening or closing the battery cover. Failure to do so may cause personal injury.

To install the battery cartridge, release the lock first, and then open the battery cover. After that, insert the battery cartridge.

► Fig.2: 1. Lock 2. Battery cover

Align the tongue on the battery cartridge with the groove in the housing and slip it into place. Insert it all the way until it locks in place with a little click. Then lock the battery cover.

► Fig.3: 1. Battery cartridge

To remove the battery cartridge, slide it from the tool while sliding the button in front of the cartridge.

CAUTION: Always install the battery cartridge fully until the red indicator cannot be seen. If not, it may accidentally fall out of the cleaner, causing injury to you or someone around you.

CAUTION: Do not install the battery cartridge forcibly. If the cartridge does not slide in easily, it is not being inserted correctly.

NOTE: The cleaner does not work with only one battery cartridge.

Indicating the remaining battery capacity

Only for battery cartridges with the indicator

► Fig.4: 1. Indicator lamps 2. Check button

Press the check button on the battery cartridge to indicate the remaining battery capacity. The indicator lamps light up for a few seconds.

Indicator lamps			Remaining capacity
Lighted	Off	Blinking	
■	□	▧	75% to 100%
■ ■ ■ ■			
■ ■ ■ □			50% to 75%
■ ■ □ □			25% to 50%
■ □ □ □			0% to 25%
▧ □ □ □			Charge the battery.
■ ■ □ □			The battery may have malfunctioned.
□ □ ■ ■	↑ ↓		


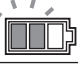
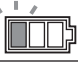
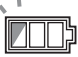
NOTE: Depending on the conditions of use and the ambient temperature, the indication may differ slightly from the actual capacity.

NOTE: The first (far left) indicator lamp will blink when the battery protection system works.

Indicating the remaining battery capacity

- **Fig.5:** 1. Battery indicator 2. Check button
 ► **Fig.6**

Press the check button to indicate the remaining battery capacities. The battery indicators correspond to each battery.

Battery indicator status			Remaining battery capacity
On	Off	Blinking	
■	□	▧	50% to 100%
			
			20% to 50%
			0% to 20%
			Charge the battery

NOTE: During the cleaner turned on with the stand-by switch set to "AUTO", the battery indicator does not work.

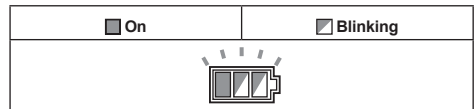
Tool / battery protection system

The tool is equipped with a tool/battery protection system. This system automatically cuts off power to the motor to extend tool and battery life. The tool will automatically stop during operation if the tool or battery is placed under one of the following conditions:

Overload protection

When the tool is operated in a manner that causes it to draw an abnormally high current, the tool automatically stops without any indication. In this situation, turn the tool off and stop the application that caused the tool to become overloaded. Then turn the tool on to restart.

Overheat protection



When the tool is overheated, the tool stops automatically, and the battery indicator blinks about 60 seconds. In this situation, let the tool cool down before turning the tool on again.

Overdischarge protection

When the battery capacity becomes low, the tool stops automatically. If the product does not operate even when the switches are operated, remove the batteries from the tool and charge the batteries.

Switch action

- **Fig.7:** 1. Stand-by switch 2. Power button 3. Suction force adjusting knob



To start the cleaner:

1. Set the stand-by switch to the "I" side. The cleaner gets into stand-by state.
2. Press the power button.

To make the cleaner get into stand-by mode, press the power button again.

To turn off the cleaner, set the stand-by switch to the "O" side.

The suction power can be adjusted according to your work need.

Suction power can be increased by turning the suction force adjusting knob from the  symbol to the  symbol.

NOTICE: Always set the stand-by switch to the "O" side when not using the cleaner for long time. The cleaner consumes power during stand-by state.

Locking or unlocking the caster

- **Fig.8:** 1. Caster 2. Stopper lever 3. FREE position 4. LOCK position

Locking the caster is convenient when storing the cleaner, stopping the work on the way and keeping the cleaner still.

To operate the stopper, move it by hand.

To lock the caster with a stopper, lower the stopper lever and the caster no longer will rotate. To release the caster from the locked position, raise the stopper lever.

NOTE: When moving the cleaner, make sure that the caster is unlocked. Moving the cleaner with the caster in the locked position may cause damage to the caster.

Carriage handle

When carrying the cleaner, carry it by holding the handle on the head. The handle is retractable at the head when not in use.

- **Fig.9**

ASSEMBLY

⚠CAUTION: Always be sure that the tool is switched off and the battery cartridge is removed before carrying out any work on the tool.

⚠CAUTION: Always wear dust mask during assembly or maintenance.

Installing the powder filter (HEPA) and prefilter (for dry dust)

⚠CAUTION: Never pick up water or other liquids or wet dusts when using the powder filter. Picking up such things may cause the powder filter breakage.

To use powder filter:

1. Place the prefilter in the tank while aligning the mounting position markings.
2. Mount the damper on the powder filter and then place them in the prefilter while aligning the mounting position markings.
3. Mount the tank cover and lock it.

- **Fig.10:** 1. Tank cover 2. Powder filter (HEPA) 3. Damper 4. Prefilter 5. Tank 6. Mounting position marking

NOTICE: Before using the powder filter, make sure that prefilter and damper are used together. It is not allowed to install powder filter alone.

Installing the paper pack

Optional accessory

⚠WARNING: When using the paper pack, also use the prefilter together that is preinstalled on the tool. Failure to use the prefilter together may cause unusual noise and heat, resulting in a fire.

⚠CAUTION: Before using the paper pack, make sure that powder filter, damper and prefilter are always used together.

1. Extend the paper pack.
2. Align the paper pack opening with the dust suction opening of the cleaner.
3. Insert the cardboard part of the paper pack onto the holder so that it is positioned at the end beyond the detent protrusion.

- **Fig.11:** 1. Paper pack 2. Holder

Installing the polyethylene bag

Cleaner can also be used without polyethylene bag. However, using polyethylene bag is easier to empty the tank without letting your hands dirty.

Spread the polyethylene bag in the tank. Insert it between the holder plate and the tank, and pull it to the hose inlet.

- **Fig.12:** 1. Holder plate 2. Polyethylene bag

Spread the bag around the top of the tank so that the prefilter edge can catch and hold the bag securely.

- **Fig.13:** 1. Prefilter

NOTE: A polyethylene bag available on the market can be used. 0.04 mm or thicker one is recommended.

NOTE: Too much dust will tear the bag easily, so do not collect the dust more than the half of the bag capacity.

Emptying the polyethylene bag

⚠WARNING: Always make sure that the cleaner is switched off and the battery cartridge is removed before emptying the polyethylene bag. Failure to do so may cause an electric shock and serious personal injury.

⚠CAUTION: Do not apply a great impact on the tank. Applying a great impact may cause deformation and damage to the parts.

⚠CAUTION: Empty the tank at least once a day although this depends on picked-up dust volume in the tank. Or, the suction force will weaken and the motor may be broken.

⚠CAUTION: Do not grab the hook when emptying the tank. Grabbing the hook may cause the hook to break.

Unhook and lift up the tank cover. Shake off the dust from the prefilter and then take the polyethylene bag out of the tank.

► Fig.14

NOTE: Take the polyethylene bag carefully out of the tank so that the polyethylene bag cannot be caught and torn by the protrusion inside the tank when emptying it.

NOTE: Empty the polyethylene bag before it becomes full. Too much dust in the tank may cause the polyethylene bag to be torn.

Installing the tool box

1. Release the lock of the battery cover, and open the battery cover.
 2. Set the rails on the tool box along the grooves on the housing.
 3. Close the battery cover and apply the lock.
- Fig.15

The tool box is convenient for carrying batteries, pipe, or cuffs.

► Fig.16

Connecting the hose

NOTICE: Never force the hose for bending or stamp it. Never move the cleaner by a hose.

Forcing, stamping and pulling the hose may cause a breakage or deformation of the hose.

NOTICE: When picking up large wastes such as planer carvings, concrete dusts or similar other than small wastes, use the 38 mm inner diameter hose (optional accessory). Using the 28 mm inner diameter hose (optional accessory) may cause a hose stuffing and damage.

Insert the hose onto the mounting port of the tank and turn it clockwise until it locks.

► Fig.17

Connecting the attachment with lock function

Optional accessory

Insert the attachment into the suction inlet until it clicks. To remove, pull the attachment while pushing the release button.

► Fig.18: 1. Suction inlet with lock function 2. Release button 3. Attachment with lock function

NOTE: The attachment with lock function is available when using the suction inlet with lock function.

► Fig.19: 1. Attachment with lock function 2. Suction inlet with lock function 3. Suction inlet without lock function

Adjusting the length of the slide-type extension wand

Optional accessory

With pressing the slide button, adjust the wand length. The length is locked when releasing the slide button.

► Fig.20: 1. Slide button

WIRELESS ACTIVATION FUNCTION

What you can do with the wireless activation function

The wireless activation function enables clean and comfortable operation. By connecting a supported tool to the cleaner, you can run the cleaner automatically along with the switch operation of the tool.

► Fig.21

NOTICE: Be sure to refer to the instruction manual of the tool when using the cleaner with wireless activation function.

NOTICE: Do not disassemble or tamper with the wireless unit.

NOTICE: To prevent dust coming into the slot of the wireless unit, always close the lid securely during operation and storage.

NOTICE: Do not remove the wireless unit while the power is being supplied. Doing so may cause a malfunction of the wireless unit.

NOTICE: Do not press the wireless activation button too hard and/or press the button with an object with a sharp edge.

NOTE: Wireless activation needs Makita tools equipped with the wireless unit.

NOTE: Prior to the initial use of the wireless activation function with each tool, the tool registration is required. Once the registration is finished with the tool, the re-registration is not required unless it is cancelled.

NOTE: Before registration, be sure that the wireless unit is properly inserted.

NOTE: One wireless unit can register up to 10 links with other wireless units. If more than 10 other wireless units are registered to one wireless unit, the one registered earliest will be cancelled automatically.

NOTE: The position of the wireless activation button varies depending on the tool.

NOTE: The cleaner also starts by pressing the power button when the stand-by switch is set to "AUTO". However the power button will not actuate when the wireless activation function is used.

Installing the wireless unit

CAUTION: Place the cleaner on a flat and stable surface when installing the wireless unit.

NOTICE: Clean the dust and dirt on the cleaner before installing the wireless unit. Dust or dirt may cause malfunction if it comes into the slot of the wireless unit.

NOTICE: To prevent the malfunction caused by static, touch a static discharging material, such as a metallic part, before picking up the wireless unit.

NOTICE: When installing the wireless unit, always be sure that the wireless unit is inserted in the correct direction and the lid is completely closed.

1. Open the lid on the cleaner as shown in the figure.
▶ **Fig.22:** 1. Lid

2. Insert the wireless unit to the slot and then close the lid.

When inserting the wireless unit, align the projections with the recessed portions on the slot.

- ▶ **Fig.23:** 1. Wireless unit 2. Projection 3. Lid
4. Recessed portion

When removing the wireless unit, open the lid slowly. The hooks on the back of the lid will lift the wireless unit as you pull up the lid.

- ▶ **Fig.24:** 1. Wireless unit 2. Hook 3. Lid

After removing the wireless unit, keep it in the supplied case or a static-free container.

NOTICE: Always use the hooks on the back of the lid when removing the wireless unit. If the hooks do not catch the wireless unit, close the lid completely and open it slowly again.

Tool registration for the cleaner

NOTE: A Makita tool supporting the wireless activation function is required for the tool registration.

NOTE: Finish installing the wireless unit to the tool before starting the tool registration.

NOTE: During the tool registration, do not pull the switch trigger on the tool or turn on the power switch on the cleaner.

NOTE: Refer to the instruction manual of the tool, too.

If you wish to activate the cleaner along with the switch operation of the tool, finish the tool registration beforehand.

1. Install the wireless units to the cleaner and the tool, respectively.
2. Install the batteries to the cleaner and the tool.
3. Set the stand-by switch on the cleaner to "AUTO".

- ▶ **Fig.25:** 1. Stand-by switch

4. Press the wireless activation button on the cleaner for 3 seconds until the wireless activation lamp blinks in green. And then press the wireless activation button on the tool in the same way.

- ▶ **Fig.26:** 1. Wireless activation button 2. Wireless activation lamp

If the cleaner and the tool are linked successfully, the wireless activation lamps will light up in green for 2 seconds and start blinking in blue.

NOTE: The wireless activation lamps finish blinking in green after 20 seconds elapsed. Press the wireless activation button on the tool while the wireless activation lamp on the cleaner is blinking. If the wireless activation lamp does not blink in green, push the wireless activation button briefly and hold it down again.

NOTE: When performing two or more tool registration for the cleaner, finish the tool registration one by one.

Starting the wireless activation function

NOTE: Finish the tool registration for the cleaner for wireless activation.

NOTE: Always place the cleaner so that you can see the status of the wireless activation lamp.

NOTE: Refer to the instruction manual of the tool, too.

After registering a tool to the cleaner, the cleaner will automatically runs along with the switch operation of the tool.

1. Install the wireless units to the cleaner and the tool, respectively.
2. Install the batteries to the cleaner and the tool.
3. Connect the hose of the cleaner with the tool.
▶ **Fig.27**
4. Set the stand-by switch on the cleaner to "AUTO".
▶ **Fig.28:** 1. Stand-by switch
5. Push the wireless activation button on the tool briefly. The wireless activation lamp will blink in blue.
▶ **Fig.29:** 1. Wireless activation button 2. Wireless activation lamp
6. Pull the switch trigger of the tool. Check if the cleaner runs while the switch trigger on the tool is being pulled.

CAUTION: Always check if the wireless activation function works before starting a work with the tool.

To stop the wireless activation, push the wireless activation button on the tool, or set the stand-by switch on the cleaner to "I" or "O".

NOTE: The wireless activation lamp on the tool will stop blinking in blue when there is no operation for 2 hours. In this case, set the stand-by switch on the cleaner to "AUTO" and press the wireless activation button on the tool again.

NOTE: The cleaner starts/stops with a delay. There is a time lag when the cleaner detects a switch operation of the tool.

NOTE: The transmission distance of the wireless unit may vary depending on the location and surrounding circumstances.

NOTE: When two or more tools are registered to one cleaner, the cleaner may start running even if you don't pull the switch trigger because other user is using the wireless activation function.

Cancelling tool registration for the cleaner

Perform the following procedure when cancelling the tool registration for the cleaner.

1. Install the wireless units to the cleaner and the tool, respectively.
2. Install the batteries to the cleaner and the tool.
3. Set the stand-by switch on the cleaner to "AUTO".

► **Fig.30:** 1. Stand-by switch

4. Press the wireless activation button on the cleaner for 6 seconds. The wireless activation lamp blinks in green and then become red. After that, press the wireless activation button on the tool in the same way.

► **Fig.31:** 1. Wireless activation button 2. Wireless activation lamp

If the cancellation is performed successfully, the wireless activation lamps will light up in red for 2 seconds and start blinking in blue.

NOTE: The wireless activation lamps finish blinking in red after 20 seconds elapsed. Press the wireless activation button on the tool while the wireless activation lamp on the cleaner is blinking. If the wireless activation lamp does not blink in red, push the wireless activation button briefly and hold it down again.

Erasing all tool registrations

You can erase all tool registrations from the cleaner as follows.

► **Fig.32:** 1. Stand-by switch 2. Wireless activation button 3. Wireless activation lamp











1. Install the wireless unit to the cleaner.
2. Install the batteries to the cleaner.
3. Set the stand-by switch to "AUTO".
4. Hold down the wireless activation button for about 6 seconds until the wireless activation lamp blinks in red (about twice per one second).
5. When the wireless activation lamp starts blinking in red, release your finger from the wireless activation button. Thereafter, hold down the wireless activation button again for about 6 seconds.
6. When the wireless activation lamp starts blinking fast (about 5 times per one second) in red, release your finger from the wireless activation button. When the wireless activation lamp lights up in red and later lights off, all tool registrations are erased.

NOTE: If the wireless activation lamp does not blink in red, press the wireless activation button briefly and try again.

Description of the wireless activation lamp status

► **Fig.33:** 1. Wireless activation button 2. Wireless activation lamp

The wireless activation lamp shows the status of the wireless activation function. Refer to the below table for the meaning of the lamp status.

Status	Wireless activation lamp			Description
	Color	 On	 Blinking	
Standby	Blue		Cleaner: continuing Tool: 2 hours	Waiting for the tool registration or the wireless activation function is available. The lamp on the cleaner blinks when the stand-by switch is set in AUTO. The lamp on the tool blinks when the wireless activation button is pushed. The lamp on the tool will automatically turn off when no operation is performed for 2 hours.
			When the tool is running.	The wireless activation of the cleaner is available and the tool is running.
Tool registration	Green		20 seconds	Ready for the tool registration. Searching the tool to be registered.
			2 seconds	The tool registration has been finished. The wireless activation lamp will start blinking in blue.
Cancelling/erasing tool registration	Red	 (slow: 2 times/sec.)	20 seconds	Ready for the cancellation of the tool registration. Searching the tool to be cancelled.
		 (fast: 5 times/sec.)	When the wireless activation button is pressed down.	Ready to erase all tool registrations.
			2 seconds	The tool registration has been cancelled/erased. The wireless activation lamp will start blinking in blue.
Others	Red		3 seconds	The power is supplied to the wireless unit and the wireless activation function is starting up.
	Off	-	-	The stand-by switch is not set to "AUTO".

Troubleshooting for wireless activation function

Before asking for repairs, conduct your own inspection first. If you find a problem that is not explained in the manual, do not attempt to dismantle the tool. Instead, ask Makita Authorized Service Centers, always using Makita replacement parts for repairs.

State of abnormality	Probable cause (malfunction)	Remedy
The wireless activation lamp does not light/blink.	The wireless unit is not installed into the cleaner and/or the tool. The wireless unit is improperly installed into the cleaner and/or the tool.	Install the wireless unit correctly.
	The terminal of the wireless unit and/or the slot is dirty.	Gently wipe off dust and dirt on the terminal of the wireless unit and clean the slot of the cleaner and/or the tool.
	The wireless activation button on the tool has not been pushed.	Push the wireless activation button on the tool briefly.
	The stand-by switch on the cleaner is not set to "AUTO".	Set the stand-by switch on the cleaner to "AUTO".
	No power supply	Supply the power to the tool and the cleaner.
Cannot finish tool registration / cancelling tool registration successfully.	The wireless unit is not installed into the cleaner and/or the tool. The wireless unit is improperly installed into the cleaner and/or the tool.	Install the wireless unit correctly.
	The terminal of the wireless unit and/or the slot is dirty.	Gently wipe off dust and dirt on the terminal of the wireless unit and clean the slot of the cleaner and/or the tool.
	The stand-by switch on the cleaner is not set to "AUTO".	Set the stand-by switch on the cleaner to "AUTO".
	No power supply	Supply the power to the tool and the cleaner.
	Incorrect operation	Push the wireless activation button briefly and perform the tool registration/cancellation procedures again.
	The tool and cleaner are away from each other (out of the transmission range).	Get the tool and the cleaner closer to each other. The maximum transmission distance is approximately 10 m however it may vary according to the circumstances.
	Before finishing the tool registration/cancellation; - the switch trigger on the tool is pulled or; - the power button on the cleaner is turned on.	Push the wireless activation button briefly and perform the tool registration/cancellation procedures again.
	The tool registration procedures for the tool or the cleaner has not finished.	Perform the tool registration procedures for the tool and the cleaner at the same timing.
Radio disturbance by other appliances which generate high-intensity radio waves.	Keep the tool and the cleaner away from the appliances such as Wi-Fi devices and microwave ovens.	

State of abnormality	Probable cause (malfunction)	Remedy
The cleaner does not run along with the switch operation of the tool.	The wireless unit is not installed into the cleaner and/or the tool. The wireless unit is improperly installed into the cleaner and/or the tool.	Install the wireless unit correctly.
	The terminal of the wireless unit and/or the slot is dirty.	Gently wipe off dust and dirt on the terminal of the wireless unit and clean the slot of the cleaner and/or the tool.
	The wireless activation button on the tool has not been pushed.	Push the wireless activation button briefly and make sure that the wireless activation lamp is blinking in blue.
	The stand-by switch on the cleaner is not set to "AUTO".	Set the stand-by switch on the cleaner to "AUTO".
	More than 10 tools are registered to the cleaner.	Perform the tool registration again. If more than 10 tools are registered to the cleaner, the tool registered earliest will be cancelled automatically.
	The cleaner erased all tool registrations.	Perform the tool registration again.
	No power supply	Supply the power to the tool and the cleaner.
	The tool and cleaner are away from each other (out of the transmission range).	Get the tool and the cleaner closer to each other. The maximum transmission distance is approximately 10 m however it may vary according to the circumstances.
	Radio disturbance by other appliances which generate high-intensity radio waves.	Keep the tool and the cleaner away from the appliances such as Wi-Fi devices and microwave ovens.
The cleaner runs while the tool's switch trigger is not pulled.	Other users are using the wireless activation of the cleaner with their tools.	Turn off the wireless activation button of the other tools or cancel the tool registration of the other tools.
Cannot erase all tool registrations in the cleaner.	Pressing the wireless button on the tool.	Press the wireless button on the cleaner for erasing all tool registrations.
	The stand-by switch on the cleaner is not set to "AUTO".	Set the stand-by switch on the cleaner to "AUTO".
	The wireless activation button is not held down correctly.	Hold down the wireless activation button for more than 6 seconds and then release it when the wireless activation lamp blinks in red. Hold down the wireless activation button for more than 6 seconds again until the wireless activation button rapidly blinks in red and then release the button.

MAINTENANCE

CAUTION: Always be sure that the tool is switched off and the battery cartridge is removed before attempting to perform inspection or maintenance.

NOTICE: Never use gasoline, benzine, thinner, alcohol or the like. Discoloration, deformation or cracks may result.

To maintain product SAFETY and RELIABILITY, repairs, any other maintenance or adjustment should be performed by Makita Authorized or Factory Service Centers, always using Makita replacement parts.

Storage of accessories

The pipes can be placed into the pipe holder when not using the cleaner for a short time.

► Fig.34

► Fig.35

The hose can be stored around the tool by connecting each ends.

► Fig.36

Cleaning of powder filter (HEPA) and prefilter

Clogged powder filter, prefilter and damper cause poor suction performance. Clean out the filters and damper from time to time.

To remove dust or particles adhering to the filters, shake the frame bottom quickly several times.

► **Fig.37:** 1. Prefilter

Occasionally wash the powder filter in water, rinse and dry thoroughly in the shade before use. Never wash filters in a washing machine.

► **Fig.38**

NOTE: Do not rub or scratch the powder filter, the prefilter and the damper with hard objects such as a brush and a paddle.

NOTE: The filters wear out in course of time. It is recommended to have some spares for them.

OPTIONAL ACCESSORIES

⚠ CAUTION: These accessories or attachments are recommended for use with your Makita tool specified in this manual. The use of any other accessories or attachments might present a risk of injury to persons. Only use accessory or attachment for its stated purpose.

If you need any assistance for more details regarding these accessories, ask your local Makita Service Center.

- Hose
- Front cuff (22, 24, 38)
- Straight pipe
- Extension wand
- Corner nozzle
- Round brush
- Powder filter, HEPA (for dry dust)
- Damper
- Prefilter
- Nozzle assembly
- Bent pipe
- Polyethylene bag
- Paper pack
- Holder set
- Makita genuine battery and charger

NOTE: Some items in the list may be included in the tool package as standard accessories. They may differ from country to country.

警告

- 本设备不得由不熟悉操作说明的人员（包括小孩）和体力、感觉及心智不健全或缺乏经验和知识的人员使用。
- 应看管好儿童，勿让其玩耍本吸尘器。
- 有关电池的类型信息，请参阅“规格”章节。
- 有关如何拆卸或安装电池的信息，请参阅“安装或拆卸电池组”部分。
- 丢弃电池组时，需将其从工具上卸下并在安全地带进行处理。关于如何处理废弃的电池，请遵循当地法规。
- 如长时间不使用工具，必须将电池从工具内取出。
- 请勿使电池组短路。
- 有关用户维护期间的注意事项的详情，请参阅“维护”章节。

规格

型号:	DVC867L	DVC157L
标准过滤器类型	粉末过滤器（干尘）	
最大风量 (含BL1850B, Φ38 mm x 2.5 m软管)	2.4 m ³ /min	
真空 (含BL1850B, Φ38 mm x 2.5 m软管)	11 kPa	
可回收容量	8 L	15 L
尺寸 (长 × 宽 × 高)	366 mm × 334 mm × 368 mm	366 mm × 334 mm × 421 mm
额定电压	D.C. 36 V	
净重	7.7 - 8.4 kg	8.0 - 8.6 kg
防护等级	IPX4	

- 生产者保留变更规格不另行通知之权利。
- 规格和电池组可能因销往国家之不同而异。
- 重量不含附件，但包含电池组。设备和电池组的最轻和最重组合重量见表格。

适用电池组和充电器

电池组	BL1815N / BL1820B / BL1830B / BL1840B / BL1850B / BL1860B
充电器	DC18RC / DC18RD / DC18RE / DC18SD / DC18SE / DC18SF / DC18SH

- 部分以上所列电池组和充电器是否适用视用户所在地区而异。

⚠警告： 请仅使用以上所列电池组和充电器。使用其他类型的电池组或充电器可能会导致人身伤害和 / 或失火。

符号

以下显示本设备可能会使用的符号。在使用工具之前，请务必理解其含义。



阅读使用说明书。



特别小心和注意。



警告！该清洁剂可能含有有毒粉尘。



切勿踩踏清洁剂。



粉尘等级L（轻）。清洁剂适用于粉尘等级L。请遵循您所在国家关于灰尘和工作区域卫生及安全的法律法规。



仅限于欧盟国家

由于本设备中包含有害成分，因此废弃的电气和电子设备、蓄电池和普通电池可能会对环境和人体健康产生负面影响。请勿将电气和电子工具或电池与家庭普通废弃物放在一起处置！

根据欧洲关于废弃电气电子设备的、蓄电池和普通电池的指令及其国家层面的修订法案，废弃的电气设备、普通电池和蓄电池应当单独存放并递送至城市垃圾收集点，根据环保法规进行处置。

此规定由标有叉形标志的带轮垃圾桶符号表示。

用途

本工具用于收集干尘。本工具适用于商业用途，例如，用于酒店、学校、医院、工厂、商店、办公室和租借的办公场所。

安全警告

充电式吸尘器安全警告

警告：重要事项 使用前请仔细阅读所有的安全警告和所有的说明事项。若不遵循警告和说明事项，可能导致触电、起火和 / 或严重的人身伤害。

1. 使用前，请确保本集尘器必须由经过培训的合格人员使用。
2. 使用本机前，操作人员应先接受指导、培训，熟悉相关使用知识，了解机器使用方法和使用对象，例如如何安全清除和丢弃吸入物等。
3. 请勿在没有过滤器的情况下使用集尘器。如果过滤器受损，请立即更换。
4. 避免意外启动。安装电池时请确保开关已关闭。
5. 请勿试图吸取可燃物、鞭炮、点燃的香烟、热灰、热金属片、以及剃刀、针、碎玻璃等尖锐物体。
6. 切勿在附近有汽油、煤气、油漆、粘合剂或其他易爆物质的环境下使用集尘器。开启和关闭时开关会发出火花。操作期间电机整流器也会发出火花。可能会导致爆炸。
7. 切勿吸取有毒物质、致癌物质、易燃物质或石棉、砷、钡、铍、铅、杀虫剂等有害物质或其他危及健康的物质。
8. 务必将集尘器放置在水平表面上以防止其意外掉落或移动。
9. 下雨时切勿在室外使用集尘器。
10. 芬兰地区用户不得在低温户外使用本机。
11. 请勿在热源（火炉等）附近使用。
12. 若废气回流至室内，必须保证室内换气率充足。同时需要参考国家规定。
13. 切勿堵塞吸气口 / 吹气口 / 冷却通风口。这些通风口可冷却电机。应小心避免堵塞，否则电机会因为通风不足而被烧坏。
14. 操作时请双脚站稳，始终保持平衡。
15. 请勿折叠、拉拽或踩踏软管。
16. 如果您在操作期间发现性能下降或任何异常，请立即停止工具。
17. 取出电池。不使用时，维修前或更换附件时，请断开集尘器电源。
18. 每次使用后请立即清洁和维护集尘器，使其处于最佳的工作状态。

- 小心保养集尘器。保持集尘器的清洁，以提高产品的性能和安全性。根据说明更换附件。保持把手干燥、清洁，无油污和润滑脂。
- 检查有无部件损坏。在进一步使用集尘器之前，应仔细检查保护罩或其他部件有无损坏，以确定工具是否可以正常运转。检查运动部件是否有偏差或粘连、部件是否破损、安装是否妥当以及其他可能会影响工具运行的情况。除非本手册另有声明，否则应由授权维修中心对受损保护罩或其他部件进行修复或更换。失灵的开关由授权的维修中心进行更换。如果开关不能开启和关闭集尘器，请勿使用。
- 用户在维修机器时，应先将机器拆解并清洁，然后在保证不会危及维修人员及其他人安全的情况下以尽可能合理的方式维修机器。
- 机器应由制造商或委派人员至少每年进行一次技术检查。检查内容包括：过滤器是否受损、机器气密性是否良好，以及控制机构是否正常运行。
- 进行维修或修理作业时，所有无法有效清理的脏污部件均需丢弃。此类部件丢弃时应根据相关垃圾处理法规的要求装入防渗袋丢弃。
- 更换部件。进行维修时，请仅使用与原来相同的更换部件。
- 存放闲置的集尘器。不使用时，应将集尘器存放在室内。
- 善待集尘器。即便集尘器再结实，野蛮操作也会将其损坏。
- 请勿试图用苯、稀释剂或清洁用化学品清洁工具的外部或内部。否则可能会导致工具破裂和褪色。
- 请勿在存放有油基涂料、涂料稀释剂、汽油或防蛀物品，会释放出易燃、易爆或有毒气体的密闭空间里或存在易燃灰尘的地方使用集尘器。
- 请勿在服药或饮酒的情况下操作本工具或其他工具。
- 作为一项基本的安全措施，请佩戴带侧面罩的护目镜或安全眼镜。
- 在灰尘较多的工作环境下请使用防尘面罩。
- 本设备不得由不熟悉操作说明的人员（包括小孩）和体力、感觉及心智不健全或缺乏经验和知识的人员使用。
- 应看管好儿童，勿让其玩耍本吸尘器。
- 切勿用湿手操作电池和集尘器。

- 清洁楼梯时要特别注意安全。
- 切勿将集尘器当做凳子或工作台使用。机器可能会跌倒导致人身伤害。

蓄电池驱动的电动工具的使用和保养

- 请仅使用制造商指定的充电器进行充电。将适用于某一种类型电池组的充电器用于其他类型的电池组时，可能会导致起火。
- 电动工具仅可使用专门指定的电池组。使用其他类型的电池组可能会导致人身伤害或起火。
- 不使用电池组时请将其远离纸夹、硬币、钥匙、钉子、螺丝或其他小型金属物体放置。这些物体可能会使电池端子短路。这些物体可能会使电池端子短路，引起燃烧或起火。
- 使用过度时，电池中可能溢出液体。请避免接触。如果意外接触到电池漏液，请用水冲洗。如果液体接触到眼睛，请就医。电池漏液可能会导致过敏发炎或灼伤。
- 不要使用损坏或改装过的电池包或工具。损坏或改装过的电池组可能呈现无法预测的结果，导致着火、爆炸或伤害。
- 不要将电池包暴露于火或高温中。电池包暴露于火或高于130 °C的高温中可能导致爆炸。
- 遵循所有充电说明。不要在说明书中指定的温度范围之外给电池包或电动工具充电。不正确或在指定的温度范围外充电可能会损坏电池和增加着火的风险。

请保留此说明书。

警告： 请勿为图方便或因对产品足够熟悉（由于重复使用而获得的经验）而不严格遵循相关产品安全规则。使用不当或不遵循使用说明书中的安全规则会导致严重的人身伤害。

电池组的重要安全注意事项

- 在使用电池组之前，请仔细通读所有的说明以及（1）电池充电器，（2）电池，以及（3）使用电池的产品上的警告标记。
- 切勿拆卸或改装电池组。否则可能引起火灾、过热或爆炸。
- 如果机器运行时间变得过短，请立即停止使用。否则可能会导致过热、起火甚至爆炸。

- 如果电解液进入您的眼睛，用清水将其冲洗干净并立即就医。否则可能会导致视力受损。
- 请勿使电池组短路：
 - 请勿使任何导电材料碰触到端子。
 - 避免将电池组与其他金属物品如钉子、硬币等放置在同一容器内。
 - 请勿将电池组置于水中或使其淋雨。电池短路将产生大的电流，导致过热，并可能导致起火甚至击穿。
- 请勿在温度可能达到或超过**50°C (122°F)**的场所存放以及使用工具和电池组。
- 即使电池组已经严重损坏或完全磨损，也请勿焚烧电池组。电池组会在火中爆炸。
- 请勿对电池组射钉，或者切削、挤压、抛掷、掉落电池组，又或者用硬物撞击电池组。否则可能引起火灾、过热或爆炸。
- 请勿使用损坏的电池。
- 本工具附带的锂离子电池需符合危险品法规要求。

第三方或转运代理等进行商业运输时，应遵循包装和标识方面的特殊要求。有关运输项目的准备作业，咨询危险品方面的专业人士。同时，请遵守可能更为详尽的国家法规。

请使用胶带保护且勿遮掩表面的联络信息，并牢固封装电池，使电池在包装内不可动。
- 丢弃电池组时，需将其从工具上卸下并在安全地带进行处理。关于如何处理废弃的电池，请遵循当地法规。
- 仅将电池用于**Makita (牧田)**指定的产品。将电池安装至不兼容的产品会导致起火、过热、爆炸或电解液泄漏。
- 如长时间未使用工具，必须将电池从工具内取出。
- 使用工具期间以及使用工具之后，电池组温度可能较高易引起灼伤或低温烫伤。处理高温电池组时请勿小心操作。
- 在使用工具后请勿立即触碰工具的端子，否则可能引起灼伤。
- 避免锯屑、灰尘或泥土卡入电池组的端子、孔口和凹槽内。否则可能导致工具或电池组性能下降或故障。
- 除非工具支持在高压电源线路附近使用，否则请勿在高压电源线路附近使用电池组。否则可能导致工具或电池组故障或失常。
- 确保电池远离儿童。

请保留此说明书。

小心： 请仅使用**Makita (牧田)** 原装电池。使用非**Makita (牧田)** 原装电池或经过改装的电池可能会导致电池爆炸，从而造成火灾、人身伤害或物品受损。同时也会导致牧田工具和充电器的牧田保修服务失效。

保持电池最大使用寿命的提示

- 在电池组电量完全耗尽前及时充电。发现工具电量低时，请停止工具操作，并给电池组充电。
- 请勿对已充满电的电池组重新充电。过度充电将缩短电池的使用寿命。
- 请在**10°C - 40°C (50°F - 104°F)**的室温条件下给电池组充电。请在灼热的电池组冷却后再充电。
- 不使用电池组时，请将其从工具或充电器上拆除。
- 如果电池组长时间（超过六个月）未使用，请给其充电。

无线装置的重要安全注意事项

- 切勿拆卸或改装此无线装置。
- 请远离儿童存放无线装置。如果意外吞食，请立即就医。
- 此无线装置仅用于**Makita (牧田)** 电动工具。
- 请勿将此无线装置暴露在雨水或潮湿的环境中。
- 请勿在温度超过**50°C**的环境下使用此无线装置。
- 请勿在医疗器械（例如心脏起搏器）附近运行此无线装置。
- 请勿在自动化设备附近运行此无线装置。否则，自动化设备可能会发生故障或出现错误。
- 不要在高温场所或可能产生静电或电气噪音的场所操作无线装置。
- 无线装置会产生对用户无害的电磁场（**EMF**）。
- 此无线装置属于精密仪器。请小心，勿掉落或撞击此无线装置。
- 避免徒手或用金属材料接触无线装置的端子。
- 在产品中安装无线装置时，务必取下产品上的电池。

13. 请勿在那些可能会使灰尘和水进入插槽的地方打开插槽的封盖。插槽的插口务必保持干净清洁。
 14. 务必沿正确的方向插入无线装置。
 15. 请勿过度用力按压无线装置上的无线启动按钮，也不可使用边缘锋利的物体按压该按钮。
 16. 运行此无线装置时务必关闭插槽的封盖。
 17. 切勿在工具正在通电的情况下从插槽取下无线装置。否则可能会导致此无线装置发生故障。
 18. 切勿揭下此无线装置上的贴纸。
 19. 切勿在此无线装置上粘贴任何贴纸。
 20. 切勿将此无线装置留在可能会产生静电或电气噪音的地方。
 21. 切勿将此无线装置留在可能会产生高温的地方，例如阳光照射下的车内。
 22. 切勿将此无线装置留在灰尘或粉尘较重的地方，或可能会产生腐蚀性气体的地方。
 23. 温度的剧烈变化可能会使此无线装置产生凝露。露水未完全干燥前，请勿使用此无线装置。
 24. 清洁此无线装置时，请使用柔软的干抹布轻轻擦拭。切勿使用汽油、稀释剂或导电脂等类似物品。
 25. 存放此无线装置时，请将其放在随附的盒中或防静电的容器中。
 26. 请勿将非Makita（牧田）无线装置的任何其它设备插入工具的插槽中。
 27. 如果插槽的封盖受损，请勿使用该工具。否则水、灰尘和泥土进入插槽可能会导致故障。
 28. 如非必要，请勿拉动和 / 或扭动插槽的封盖。如果封盖从工具脱落，请将其还原。
 29. 如果插槽的封盖丢失或受损，请更换。
- 请保留此说明书。**

部件说明

- **图片1:** 1. 容器盖 2. 粉末过滤器 (HEPA) 3. 减震器 4. 预过滤器 5. 容器

功能描述

⚠️小心: 调节或检查工具功能之前，请务必关闭工具的电源并取出电池组。

安装或拆卸电池组

⚠️小心: 安装或拆卸电池组之前，请务必关闭工具电源。

⚠️小心: 安装或拆卸电池组时请握紧集尘器和电池组。否则它们可能从您的手中滑落，导致工具和电池组受损，甚至造成人身伤害。

⚠️小心: 打开或关闭电池盖时请小心不要夹住您的手指。否则可能会导致人身伤害。

安装电池组时，请先解除锁定，然后打开电池盖。然后插入电池组。

► **图片2:** 1. 锁定 2. 电池盖

将电池组上的舌簧与外罩上的凹槽对齐，然后推滑到位。将其完全插入到位，直到锁定并发出卡嗒声为止。然后锁定电池盖。

► **图片3:** 1. 电池组

拆卸电池组时，按下电池组前侧的按钮，同时将电池组从工具中抽出。

⚠️小心: 务必完全装入电池组，直至看不见红色指示灯。否则它可能会意外从集尘器中脱落，从而造成自身或他人受伤。

⚠️小心: 请勿强行安装电池组。如果电池组难以插入，可能是插入方法不当。

注: 仅安装单个电池组时，集尘器无法工作。

显示电池的剩余电量

仅限带指示灯的电池组

► **图片4:** 1. 指示灯 2. CHECK (查看) 按钮

按电池组上的CHECK (查看) 按钮可显示电池剩余电量。指示灯将亮起数秒。

指示灯			剩余电量
■ 点亮	□ 熄灭	▣ 闪烁	
■ ■ ■ ■			75%至100%
■ ■ ■ □			50%至75%
■ ■ □ □			25%至50%
■ □ □ □			0%至25%
▣ □ □ □			给电池充电。
■ ■ □ □ ↑ ↓ □ □ ■ ■			电池可能出现故障。

注：在不同的使用条件及环境温度下，指示灯所示电量可能与实际情况略有不同。





注：当电池保护系统启动时，第一个（最左侧）指示灯将闪烁。

显示电池的剩余电量

► **图片5：** 1. 电池指示灯
2. CHECK（查看）按钮

► **图片6**

按**CHECK**（查看）按钮可显示电池剩余电量。各个电池有与之相对应的电池指示灯。

电池指示灯状态			剩余的电池电量
■ 亮起	□ 熄灭	▣ 闪烁	
			50%至100%
			20%至50%
			0%至20%
			给电池充电

注：集尘器打开期间将待机开关设为“**AUTO**”（自动）时，电池指示灯不工作。

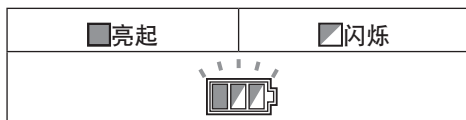
工具 / 电池保护系统

本工具配备有工具 / 电池保护系统。该系统可自动切断电机电源以延长工具和电池寿命。作业时，如果工具或电池处于以下情况，工具将会自动停止运转。

过载保护

以导致异常高电流的方式操作工具时，工具会自动停止运转，指示灯不闪烁。在这种情况下，请关闭工具并停止导致工具过载的应用操作。然后开启工具重新启动。

过热保护



工具过热时，工具将自动停止运转且电池指示灯闪烁约**60**秒。在这种情况下，请等待工具冷却后再开启工具。

过放电保护

电池剩余电量变低时，本工具自动停止运转。如果即使在打开开关时本产品仍不运转，请从工具上拆下电池并给电池充电。

开关操作

► **图片7：** 1. 待机开关 2. 电源按钮 3. 吸力调节旋钮

要启动工具时：

1. 将待机开关拧至“**I**”侧。集尘器进入待机状态。

2. 按下电源按钮。

要使集尘器进入待机模式，请再次按下电源按钮。

要关闭集尘器，请将待机开关拧至“**O**”侧。

可以根据您的工作需要调节吸力。

将吸力调节旋钮从符号转至符号可增加吸力。

注意：集尘器长期不使用时，请将待机开关拧至“**O**”侧。集尘器在待机状态下也会消耗电力。

锁定或释放脚轮

- **图片8:** 1. 脚轮 2. 止动杆 3. 自由位置
4. 锁定位置

锁定脚轮后便于存放集尘器、中途停止工作以及保持集尘器静止。

要操作止动器时，请用手移动。

要用止动器锁定脚轮时，请放下止动杆，脚轮将不再旋转。要将脚轮从锁定位置释放时，请抬起止动杆。

注：移动集尘器时，请确保脚轮没有被锁定。在脚轮处于锁定位置的情况下移动集尘器可能会损坏脚轮。

携运手柄

搬运集尘器时，请持握其头部的手柄。不使用时，头部的手柄可缩回。

- **图片9**

装配

⚠️小心：对工具进行任何装配操作前，请务必关闭工具电源，并取出电池组。

⚠️小心：安装或维护期间请务必佩戴防尘面罩。

安装粉末过滤器（HEPA）和预过滤器（干尘）

⚠️小心：使用粉末过滤器时切勿吸取水或其他液体或湿尘。否则可能会导致粉末过滤器破裂。

要使用粉末过滤器：

1. 将预过滤器放在容器中，使安装位置标记对齐。
2. 在粉末过滤器上安装减震器，然后将其放入预过滤器，使安装位置标记对齐。
3. 盖上并锁定容器盖。

- **图片10:** 1. 容器盖 2. 粉末过滤器（HEPA） 3. 减震器 4. 预过滤器 5. 容器 6. 安装位置标记

注意：使用粉末过滤器之前，请务必同时使用预过滤器和减震器。不允许单独安装粉末过滤器。

安装集尘纸包

选购附件

⚠️警告：使用集尘纸包时，请同时使用工具上预先安装的预过滤器。否则可能会导致异常噪音和发热，从而引起火灾。

⚠️小心：使用集尘纸包之前，请务必同时使用粉末过滤器、减震器和预过滤器。

1. 展开集尘纸包。
 2. 将集尘纸包的开口与集尘器的集尘口对齐。
 3. 将集尘纸包的纸板插入到固定夹上，使其位于定位凸片的一端。
- **图片11:** 1. 集尘纸包 2. 固定夹

安装聚乙烯袋

在没有聚乙烯袋的情况下也可以使用集尘器。但是，使用聚乙烯袋可以在不弄脏手的情况下更轻松地清空容器。

在容器中摊开聚乙烯袋。置于固定板和容器之间，然后向上拉至软管入口。

- **图片12:** 1. 固定板 2. 聚乙烯袋

在容器上方摊开袋子，以便预过滤器边缘可以将其固定。

- **图片13:** 1. 预过滤器

注：可使用市场上购买的聚乙烯袋。建议使用0.04 mm或更厚的袋子。

注：灰尘过多会撑破袋子，因此，袋子中堆积的灰尘不要超过袋子的一半容量。

清空聚乙烯袋

⚠️警告：在清空聚乙烯袋之前，请务必关闭集尘器电源并取出电池组。否则可能会导致触电和严重的人身伤害。

⚠️小心：请勿用力撞击容器。否则可能会导致部件变形和受损。

⚠️小心：视容器中吸取的灰尘量而定，请至少每天清空容器一次。否则，吸力将变弱，且电机可能受损。

⚠️小心：清空容器时请勿抓住挂钩。抓住挂钩可能会导致挂钩破裂。

松开并抬起容器盖。

抖掉预过滤器上的灰尘，然后将聚乙烯袋从容器中取出。

► 图片14

注：小心地从容器中取出聚乙烯袋，清空时不要让聚乙烯袋被容器内的凸出部分划破。

注：在聚乙烯袋变满之前将其清空。容器中的灰尘过多可能会导致聚乙烯袋被撑破。

安装工具箱

1. 解除电池盖锁定，打开电池盖。
2. 将工具箱上的导轨对入外壳上的凹槽。
3. 关闭电池盖并锁定。

► 图片15

工具箱可便于搬运电池、管子或管口。

► 图片16

连接软管

注意：切勿用力弯曲软管或踩踏软管。切勿通过拉拽软管来移动集尘器。用力弯曲、踩踏或拉拽软管会使其破裂或变形。

注意：吸取电刨切片、水泥灰等较大的废料时，请使用内径为38mm的软管（选购附件）。使用内径为28mm的软管（选购附件）可能会导致软管堵塞或受损。

将软管插入容器的安装口，然后顺时针转动，直至其锁定。

► 图片17

连接有锁定功能的附件

选购附件

将附件插入吸气口直至其锁定。卸下时，在按释放按钮的同时拔出附件。

► 图片18: 1. 有锁定功能的吸气口 2. 释放按钮 3. 有锁定功能的附件

注：当使用有锁定功能的吸气口时，可以使用有锁定功能的附件。

► 图片19: 1. 有锁定功能的附件 2. 有锁定功能的吸气口 3. 无锁定功能的吸气口

调节滑动型伸延杆的长度

选购附件

按滑动钮，调节杆的长度。松开滑动钮时，长度即被锁定。

► 图片20: 1. 滑动钮

无线启动功能

无线启动功能的作用

无线启动功能让操作更加干净舒适。将受支持的工具连接至集尘器，集尘器可随工具的开关操作自动运行。

► 图片21

注意：务必按照使用说明书使用带无线启动功能的集尘器。

注意：切勿拆卸或改装此无线装置。

注意：为防止灰尘进入无线装置的插槽，请务必在作业和存放期间牢固闭合封盖。

注意：切勿在通电的情况下取下无线装置。否则可能会导致此无线装置发生故障。

注意：请勿过度用力按压无线启动按钮，也不可使用边缘锋利的物体按压该按钮。

注：使用无线启动功能需要装配了无线装置的Makita（牧田）电动工具。

注：首次使用各个工具的无线启动功能之前，需要先进行工具注册。一旦工具完成注册，除非取消注册，否则不再需要重新注册。

注：在注册前，请确保已正确插入无线装置。

注：一个无线装置最多可关联注册10个其他无线装置。如果一个无线装置注册的其他无线装置超过10个，则最先注册的无线装置会被自动删除。

注：无线启动按钮的具体位置因工具不同而异。

注：当待机开关设为“**AUTO**”（自动）时，也可通过按下电源按钮启动集尘器。但在使用无线启动功能时，电源按钮不会起作用。

安装无线装置

⚠️小心： 安装无线装置时，请将吸尘器放置在平坦且稳固的表面上。

注意： 安装无线装置前，请先清洁吸尘器上的灰尘和污垢。如果灰尘和污垢进入无线装置的插槽，则可能会导致其发生故障。

注意： 为避免静电导致故障发生，拿起无线装置前，请先触摸静电释放材料，例如金属部件。

注意： 安装无线装置时，务必确保沿正确方向插入无线装置，且将封盖完全关闭。

1. 如图所示打开吸尘机的封盖。

▶ **图片22：** 1. 封盖

2. 将无线装置插入插槽，然后关闭封盖。插入无线装置时，请将凸起部分对齐插槽上的凹陷部分。

▶ **图片23：** 1. 无线装置 2. 突起部分 3. 封盖 4. 凹陷部分

拆下无线装置时，请缓慢打开封盖。封盖后面的挂钩在拉起封盖时会钩住无线装置。

▶ **图片24：** 1. 无线装置 2. 挂钩 3. 封盖

取下无线装置后，请将其放在随附的盒中或防静电的容器中。

注意： 取下无线装置时，务必使用封盖后面的挂钩。如果挂钩未钩住无线装置，请完全关闭封盖，然后再缓慢打开。

集尘器的工具注册

注： 进行工具注册需要支持无线启动功能的Makita（牧田）电动工具。

注： 开始工具注册前，请先将无线装置安装至工具。

注： 工具注册期间，请勿扣动工具上的开关扳机，或打开集尘器上的电源开关。

注： 请参阅工具的使用说明书。

如果您希望集尘器可随工具的开关操作而启动，请预先完成工具注册。

1. 分别将无线装置安装至吸尘机和工具。

2. 安装集尘器和工具的电池。

3. 将集尘器上的待机开关拧至“**AUTO**”（自动）位置。

▶ **图片25：** 1. 待机开关

4. 按住集尘器上的无线启动按钮**3**秒，直至无线启动指示灯呈绿色闪烁。然后以相同的方式按工具上的无线启动按钮。

▶ **图片26：** 1. 无线启动按钮 2. 无线启动指示灯

如果集尘器和工具成功闪烁，无线启动指示灯将呈绿色亮起**2**秒，然后开始呈蓝色闪烁。

注： 无线启动指示灯在**20**秒后结束绿色闪烁。当集尘器上的无线启动指示灯闪烁时，按下工具上的无线启动按钮。如果无线启动指示灯未呈绿色闪烁，短按一下无线启动按钮，然后再次按住该按钮。

注： 对集尘器执行两个或以上工具注册时，请逐个完成工具注册。

启动无线启动功能

注： 完成集尘器无线启动功能的工具注册。

注： 放置集尘器时，务必使自己可以随时看到无线启动指示灯的状态。

注： 请参阅工具的使用说明书。

将工具注册至集尘器后，集尘器会随着工具的开关操作自动运行。

1. 分别将无线装置安装至吸尘机和工具。

2. 安装集尘器和工具的电池。

3. 将集尘器的软管连接至工具。

▶ **图片27**

4. 将集尘器上的待机开关拧至“**AUTO**”（自动）位置。

▶ **图片28：** 1. 待机开关

5. 短按一下工具上的无线启动按钮。无线启动指示灯将呈蓝色闪烁。

▶ **图片29：** 1. 无线启动按钮 2. 无线启动指示灯

6. 扣动工具的开关扳机。检查扣动工具上的开关扳机时集尘器是否运行。

⚠️小心： 使用工具开始作业前，务必检查无线启动功能是否工作。

要停止无线启动功能，请按下工具上的无线启动按钮，或将待机开关拧至“**I**”或“**O**”侧。

注：闲置2小时无操作后，工具上的无线启动指示灯会停止蓝色闪烁。此时，请将集尘器上的待机开关拧至“**AUTO**”（自动）位置，并再次按下工具上的无线启动按钮。

注：集尘器会延迟启动 / 停止。集尘器检测工具的开关操作会存在时滞。

注：无线装置的传送距离视位置和周边环境不同而异。

注：当一个集尘器被注册了两个或多个工具时，则即使您未扣动开关扳机，该集尘器也可能会因为其他用户正在使用无线启动功能而开始运行。

取消集尘器的工具注册

取消集尘器的工具注册时，请执行以下步骤。

1. 分别将无线装置安装至吸尘机和工具。
2. 安装集尘器和工具的电池。
3. 将集尘器上的待机开关拧至“**AUTO**”（自动）位置。

► **图片30：** 1. 待机开关

4. 按住集尘器上的无线启动按钮**6**秒。无线启动指示灯呈绿色闪烁，然后转为红色。然后以相同的方式按工具上的无线启动按钮。

► **图片31：** 1. 无线启动按钮 2. 无线启动指示灯

如果成功执行取消工具注册，无线启动指示灯将呈红色亮起**2**秒，然后开始呈蓝色闪烁。

注：无线启动指示灯在**20**秒后结束红色闪烁。当集尘器上的无线启动指示灯闪烁时，按下工具上的无线启动按钮。如果无线启动指示灯未呈红色闪烁，短按一下无线启动按钮，然后再次按住该按钮。

删除所有工具注册

您可以按照如下方式删除所有工具注册。

► **图片32：** 1. 待机开关 2. 无线启动按钮 3. 无线启动指示灯

1. 将无线装置安装至吸尘器。
2. 安装集尘器的电池。
3. 将待机开关拧至“**AUTO**”（自动）位置。
4. 按住无线启动按钮约**6**秒，直至无线启动指示灯呈红色闪烁（约每秒闪烁两次）。
5. 当无线启动指示灯开始呈红色闪烁时，请松开按在无线启动按钮上的手指。然后再次按住无线启动按钮约**6**秒。
6. 当无线启动指示灯开始快速闪烁（约每秒闪烁**5**次）时，请松开按在无线启动按钮上的手指。当无线启动功能指示灯呈红色亮起并随后熄灭时，所有工具注册均已删除。

注：如果无线启动指示灯未呈红色闪烁，短按一下无线启动按钮，然后重试。

无线启动指示灯状态的说明

► 图片33: 1. 无线启动按钮 2. 无线启动指示灯

无线启动指示灯显示无线启动功能的状态。关于指示灯状态的意义请参阅下表。

状态	无线启动指示灯			说明		
	颜色	 亮起	 闪烁		时长 (大约)	
待机	蓝色			集尘器：继续工作 工具： 2小时	等待工具注册或无线启动功能生效。 当待机开关拧至 AUTO （自动）位置时，集尘器上的指示灯闪烁。按下无线启动按钮时，工具上的指示灯闪烁。2小时无操作后工具上的指示灯会自动熄灭。	
				工具正在运行时。	集尘器的无线启动可用且工具正在运行。	
工具注册	绿色			20秒	准备好进行工具注册。搜索要注册的工具。	
				2秒	完成工具注册。无线启动指示灯将开始呈蓝色闪烁。	
取消 / 删除工具注册	红色	 (慢速： 2次 / 秒)		20秒	准备好取消工具注册。搜索要取消的工具。	
		 (快速： 5次 / 秒)			按下无线启动功能时。	准备删除所有工具注册。
				2秒	工具注册已取消 / 删除。无线启动指示灯将开始呈蓝色闪烁。	
其它	红色			3秒	向无线装置供电，且无线启动功能启动。	
	熄灭	-		-	待机开关未拧至“ AUTO ”（自动）位置。	

无线启动功能的故障排除

请求维修前，请首先自行检查。如果您发现本手册中未作说明的问题，请勿拆解工具。而请联络Makita（牧田）授权维修服务中心，务必使用Makita（牧田）的替换部件进行修复。

异常状态	可能原因（故障）	纠正措施
无线启动指示灯未亮起 / 闪烁。	无线装置未安装至吸尘机和 / 或工具。 无线装置未正确安装至吸尘机和 / 或工具。	正确安装无线装置。
	无线装置的端子和 / 或插槽脏污。	轻轻擦除无线装置端子上的灰尘和污垢并清洁吸尘机和 / 或工具上的插槽。
	未按工具上的无线启动按钮。	短按一下工具上的无线启动按钮。
	集尘器上的待机开关未拧至“ AUTO ”（自动）位置。	将集尘器上的待机开关拧至“ AUTO ”（自动）位置。
	未通电	接通工具和集尘器电源。
未成功完成工具注册 / 取消工具注册操作。	无线装置未安装至吸尘机和 / 或工具。 无线装置未正确安装至吸尘机和 / 或工具。	正确安装无线装置。
	无线装置的端子和 / 或插槽脏污。	轻轻擦除无线装置端子上的灰尘和污垢并清洁吸尘机和 / 或工具上的插槽。
	集尘器上的待机开关未拧至“ AUTO ”（自动）位置。	将集尘器上的待机开关拧至“ AUTO ”（自动）位置。
	未通电	接通工具和集尘器电源。
	错误操作	短按一下无线启动按钮，并再次执行工具注册 / 取消工具注册操作步骤。
	工具和集尘器相隔较远（超出传送范围）。	缩短工具和集尘器之间的距离。它们之间的最大距离为约 10 m ，该距离视实际环境不同而异。
	完成工具注册 / 取消工具注册之前： -扣动了工具上的开关扳机； -打开了集尘器上的按钮。	短按一下无线启动按钮，并再次执行工具注册 / 取消工具注册操作步骤。
	工具或集尘器的工具注册步骤未完成。	同时对工具和集尘器执行工具注册步骤。
	其它设备的无线电干扰会产生高强度的无线电波。	使工具和集尘器远离 Wi-Fi 设备和微波炉等电器。

异常状态	可能原因（故障）	纠正措施
集尘器未随着工具的开关操作而运行。	无线装置未安装至吸尘机和 / 或工具。 无线装置未正确安装至吸尘机和 / 或工具。	正确安装无线装置。
	无线装置的端子和 / 或插槽脏污。	轻轻擦除无线装置端子上的灰尘和污垢并清洁吸尘机和 / 或工具上的插槽。
	未按工具上的无线启动按钮。	短按一下无线启动按钮，确保无线启动指示灯呈蓝色闪烁。
	集尘器上的待机开关未拧至“ AUTO ”（自动）位置。	将集尘器上的待机开关拧至“ AUTO ”（自动）位置。
	集尘器可注册超过 10 个工具。	请再次执行工具注册。 如果集尘器注册的工具超过 10 个，则最先注册的工具会被自动删除。
	集尘器删除了所有工具注册。	再次执行工具注册。
	未通电	接通工具和集尘器电源。
	工具和集尘器相隔较远（超出传送范围）。	缩短工具和集尘器之间的距离。它们之间的最大距离为约 10 m ，该距离视实际环境不同而异。
	其它设备的无线电干扰会产生高强度的无线电波。	使工具和集尘器远离 Wi-Fi 设备和微波炉等电器。
未扣动开关扳机但集尘器运行。	其他用户正在他们的工具上使用该集尘器的无线启动功能。	关闭其它工具的无线启动功能或取消其它工具的工具注册。
无法全部删除集尘器中的工具注册。	按一下工具上的无线按钮。	按一下集尘器上的无线按钮以删除所有工具注册。
	集尘器上的待机开关未拧至“ AUTO ”（自动）位置。	将集尘器上的待机开关拧至“ AUTO ”（自动）位置。
	未正确按住无线启动按钮。	按住无线启动按钮 6 秒以上，当无线启动指示灯呈红色闪烁时释放按钮。再次按住无线启动按钮 6 秒以上，直至无线启动指示灯呈红色快速闪烁后再释放按钮。

保养

⚠小心： 检查或保养工具之前，请务必关闭工具电源并取出电池组。

注意： 切勿使用汽油、苯、稀释剂、酒精或类似物品清洁工具。否则可能会导致工具变色、变形或出现裂缝。

为了保证产品的安全与可靠性，维修、任何其他维修保养或调节需由Makita（牧田）授权的或工厂维修服务中心完成。务必使用Makita（牧田）的替换部件。

附件的存放

集尘器暂时不用时，管子可以放入管架。

► 图片34

► 图片35

软管可首尾相连缠绕工具存放。

► 图片36

清理粉末过滤器（HEPA）和预过滤器

粉末过滤器、预过滤器和减震器堵塞会导致吸尘性能下降。请不时清理过滤器和减震器。

要清除过滤器上吸附的灰尘或颗粒时，请快速摇晃过滤器底部数次。

► 图片37： 1. 预过滤器

不时用水清洗粉末过滤器，使用前在阴凉的地方冲洗并彻底晾干。切勿在洗衣机中清洗过滤器。

► 图片38

注： 请勿用刷子和清洗板等硬物摩擦或刮蹭粉末过滤器、预过滤器或减震器。

注： 过滤器会因使用时间的增加而磨损。建议购买一些备用。

选购附件

⚠小心： 这些附件或装置专用于本说明书所列的Makita（牧田）工具。如使用其他厂牌附件或装置，可能导致人身伤害。仅可将附件或装置用于规定目的。

如您需要了解更多关于这些选购附件的信息，请咨询当地的Makita（牧田）维修服务中心。

- 软管
- 前端管口（22、24、38）
- 直管
- 伸延杆
- 角落集尘口
- 圆刷
- 粉末过滤器，HEPA（干尘）
- 减震器
- 预过滤器
- 集尘口组件
- 弯管
- 聚乙烯袋
- 集尘纸包
- 支架套件
- Makita（牧田）原装电池和充电器

注： 本列表中的一些部件可能作为标准配件包含于工具包装内。它们可能因销往国家之不同而异。

PERINGATAN

- Pengisap ini tidak dimaksudkan untuk digunakan oleh orang termasuk anak-anak dengan kemampuan fisik, indra, atau mental terbatas atau orang yang tidak berpengalaman.
- Awasi anak-anak untuk memastikan mereka tidak bermain-main dengan pembersih ini.
- Lihat bagian "SPESIFIKASI" untuk mengetahui referensi tipe baterai.
- Lihat bagian "Memasang atau melepas kartrid baterai" untuk mengetahui cara mengganti atau memasang baterai.
- Ketika membuang kartrid baterai, lepaskan dari mesin dan buang ke tempat yang aman. Patuhi peraturan setempat yang berkaitan dengan pembuangan baterai.
- Jika mesin tidak digunakan dalam jangka waktu yang lama, baterai harus dilepas dari mesin.
- Jangan menghubungkan terminal kartrid baterai.
- Lihat bagian "PEMELIHARAAN" untuk mengetahui detail tindakan pencegahan yang sesuai selama perawatan oleh pengguna.

SPESIFIKASI

Model:	DVC867L	DVC157L
Tipe saringan standar	Saringan serbuk (untuk debu kering)	
Volume udara maksimum (dengan selang BL1850B, $\Phi 38$ mm x 2,5 m)	2,4 m ³ /min	
Pengisap (dengan selang BL1850B, $\Phi 38$ mm x 2,5 m)	11 kPa	
Kapasitas yang dapat dipulihkan	8 L	15 L
Dimensi (P x L x T)	366 mm x 334 mm x 368 mm	366 mm x 334 mm x 421 mm
Tegangan terukur	D.C. 36 V	
Berat bersih	7,7 - 8,4 kg	8,0 - 8,6 kg
Derajat perlindungan	IPX4	

- Karena kesinambungan program penelitian dan pengembangan kami, spesifikasi yang disebutkan di sini dapat berubah tanpa pemberitahuan.
- Spesifikasi dan kartrid baterai dapat berbeda dari satu negara ke negara lainnya.
- Berat tidak termasuk aksesoris selain kartrid baterai. Berat gabungan paling ringan dan paling berat dari peralatan dan kartrid baterai ditampilkan dalam tabel.

Kartrid dan pengisi daya baterai yang dapat digunakan

Kartrid baterai	BL1815N / BL1820B / BL1830B / BL1840B / BL1850B / BL1860B
Pengisi daya	DC18RC / DC18RD / DC18RE / DC18SD / DC18SE / DC18SF / DC18SH

- Beberapa kartrid baterai dan pengisi daya yang tercantum di atas mungkin tidak tersedia, tergantung wilayah tempat tinggal Anda.

⚠ PERINGATAN: Hanya gunakan kartrid dan pengisi daya baterai yang tercantum di atas. Penggunaan kartrid dan pengisi daya baterai lain dapat menimbulkan risiko cedera dan/atau kebakaran.

Simbol

Berikut ini adalah simbol-simbol yang dapat digunakan pada peralatan ini. Pastikan Anda memahami arti masing-masing simbol sebelum menggunakan peralatan.



Baca petunjuk penggunaan.



Berhati-hatilah dan pusatkan perhatian Anda.



Peringatan! Mesin mungkin mengandung debu berbahaya.



Dilarang berdiri di atas mesin.



Debu kelas L (ringan). Mesin dapat mengisap debu kelas L. Ikuti peraturan negara Anda terkait dengan debu dan kesehatan dan keselamatan kerja.



Hanya untuk negara-negara UE
Akibat adanya komponen berbahaya dalam peralatan, limbah peralatan listrik dan elektronik, aki dan baterai dapat memiliki dampak negatif pada lingkungan dan kesehatan manusia.
Jangan buang peralatan listrik dan elektronik atau baterai bersama limbah rumah tangga!
Sesuai dengan Petunjuk Eropa tentang limbah peralatan listrik dan elektronik dan tentang aki dan baterai serta limbah aki dan baterai, serta penyesuaiannya terhadap undang-undang nasional, limbah peralatan listrik, baterai dan aki harus disimpan secara terpisah dan dikirim ke tempat pengumpulan terpisah untuk sampah kota, beroperasi sesuai dengan peraturan tentang perlindungan lingkungan.
Hal ini ditunjukkan dengan simbol tempat sampah bersilang yang ditempatkan pada peralatan.

Penggunaan

Mesin ini digunakan untuk mengumpulkan debu. Mesin ini cocok untuk penggunaan komersial, misalnya pada hotel, sekolah, rumah sakit, pabrik, toko, kantor, dan bisnis penyewaan.

PERINGATAN KESELAMATAN

Peringatan keselamatan penyedot debu nirkabel

⚠️ PERINGATAN: PENTING BACALAH semua peringatan keselamatan dan semua petunjuk **SEBELUM MENGGUNAKAN DENGAN SAKSAMA**. Kelalaian mematuhi peringatan dan petunjuk dapat menyebabkan sengatan listrik, kebakaran, dan/atau cedera serius.

1. Sebelum penggunaan, pastikan pengisap digunakan oleh orang yang telah memahami petunjuk penggunaan pengisap ini.
2. Sebelum penggunaan, operator harus mendapatkan informasi, instruksi, dan pelatihan untuk penggunaan mesin dan bahan-bahan yang akan digunakan, termasuk metode yang aman untuk pembersihan dan pembuangan material terkumpul.
3. Jangan menggunakan pengisap tanpa saringan. Segera ganti saringan yang rusak.
4. **HINDARI PENYALAN YANG TIDAK DISENGAJA**. Pastikan sakelar di posisi OFF saat memasang baterai.
5. Jangan gunakan untuk membersihkan bahan yang mudah terbakar, kembang api, rokok menyala, abu panas, serpihan logam panas, benda tajam seperti pisau cukur, jarum, pecahan kaca, atau sejenisnya.
6. **JANGAN GUNAKAN PENGISAP DI DEKAT BENSIN, GAS, CAT, PEREKAT, ATAU BAHAN LAINNYA YANG MUDAH MELEDAK**. Sakelar memercikkan api saat dinyalakan dan dimatikan. Begitu pula komutator motor saat pengoperasian. Dapat terjadi ledakan.
7. Jangan gunakan untuk membersihkan bahan beracun, karsinogenik, mudah terbakar, atau bahan berbahaya lain seperti asbes, arsenik, barium, berilium, timbal, pestisida, atau bahan lain yang berbahaya bagi kesehatan.
8. Selalu letakkan pengisap pada permukaan rata horizontal untuk mencegahnya terjatuh atau bergerak tanpa disengaja.
9. Jangan pernah gunakan pengisap di luar ruangan saat hujan.
10. Di Finlandia, mesin ini tidak digunakan di luar ruangan pada suhu rendah.
11. Jangan gunakan di dekat sumber panas (kompor, dsb.).
12. Jika udara pembuangan kembali ke ruangan, perlu disediakan laju pergantian udara yang memadai di dalam ruangan. Rujukan ke regulasi Nasional diperlukan.
13. Jangan menghalangi ventilasi inlet/ stopkontak/pendingin pengisap. Ventilasi ini berfungsi mendinginkan motor. Jangan sampai terhalang karena motor dapat terbakar akibat kekurangan ventilasi.

14. Selalu jaga pijakan dan keseimbangan yang tepat.
 15. Jangan menekuk, menarik, atau menginjak kabel.
 16. Segera hentikan pengisap jika kinerjanya buruk atau terjadi hal yang tidak wajar selama pengoperasian.
 17. **LEPASKAN BATERAI.** Saat tidak digunakan, sebelum perbaikan, dan saat mengganti aksesoris.
 18. Bersihkan dan rawat pengisap segera setelah selesai digunakan untuk menjaganya tetap dalam kondisi operasi yang prima.
 19. **RAWATLAH PENGISAP DENGAN BAIK.** Jaga agar pengisap tetap bersih untuk mendapatkan kinerja yang lebih baik dan aman. Ikuti petunjuk saat mengganti aksesoris. Jagalah agar gagang kering, bersih, serta bebas dari minyak dan gemuk.
 20. **PERIKSA BAGIAN YANG RUSAK.** Sebelum terus menggunakan pengisap, pelindung dan bagian lainnya yang rusak harus diperiksa secara cermat untuk menentukan apakah pengisap akan bekerja dengan baik dan berfungsi sesuai yang diharapkan. Periksa kesejajaran bagian yang berputar, macetnya gerakan bagian yang berputar, kerusakan komponen, kondisi pemasangan dan hal lain yang dapat memengaruhi kerja pengisap. Pelindung atau bagian lain yang rusak harus diperbaiki dengan benar atau diganti oleh pusat layanan resmi kecuali jika diindikasikan lain dalam petunjuk penggunaan ini. Ganti sakelar-sakelar yang rusak oleh pusat layanan resmi. Jangan gunakan pengisap jika sakelar tidak dapat menyalakan dan mematikan pengisap.
 21. Untuk pemberian layanan pengguna, mesin harus dibongkar, dibersihkan dan diservis, sejauh dapat dilakukan secara wajar, tanpa menimbulkan risiko bagi staf pemeliharaan dan orang lain.
 22. Mesin harus diperiksa secara teknis oleh produsen, atau seorang ahli, setidaknya setiap tahun, yang terdiri atas, misalnya, pemeriksaan kerusakan saringan, kekedapan udara mesin, dan fungsi mekanisme kontrol yang tepat.
 23. Saat melakukan servis atau operasi perbaikan, semua item terkontaminasi yang tidak dapat dibersihkan dengan sempurna harus dibuang; item tersebut harus dibuang dalam kantong rapat kedap air sesuai dengan peraturan terkini untuk pembuangan limbah tersebut.
 24. **SUKU CADANG PENGGANTI.** Saat melakukan perbaikan, gunakan hanya suku cadang pengganti yang serupa.
 25. **SIMPAN PENGISAP SAAT TIDAK DIGUNAKAN.** Saat tidak digunakan, pengisap harus disimpan dalam ruangan.
 26. Tangani pengisap dengan hati-hati. Penanganan yang kasar dapat menyebabkan kerusakan pada pengisap paling kokoh sekalipun.
 27. Jangan bersihkan bagian luar pengisap dengan benzena, tiner, atau bahan kimia pembersih. Penggunaan bahan tersebut dapat menimbulkan keretakan dan perubahan warna.
 28. Jangan gunakan pengisap di ruangan tertutup yang terdapat uap yang mudah terbakar, mudah meledak, atau beracun yang berasal dari cat berbahan dasar minyak, tiner cat, bensin, bahan antirayap, dsb. atau di area di mana terdapat debu yang mudah terbakar.
 29. Jangan mengoperasikan mesin ini atau alat lainnya saat berada dalam pengaruh obat atau alkohol.
 30. Sesuai aturan dasar keselamatan, gunakan kacamata pengaman dengan pelindung samping.
 31. Gunakan masker debu dalam kondisi kerja yang berdebu.
 32. Pengisap ini tidak dimaksudkan untuk digunakan oleh orang termasuk anak-anak dengan kemampuan fisik, indra, atau mental terbatas atau orang yang tidak berpengalaman.
 33. Awasi anak-anak untuk memastikan mereka tidak bermain-main dengan pembersih ini.
 34. Dilarang memegang baterai atau pengisap dengan tangan yang basah.
 35. Berhati-hatilah saat membersihkan tangga.
 36. Jangan gunakan pengisap sebagai tempat duduk atau meja kerja. Pengisap dapat jatuh dan menyebabkan cedera.
- Penggunaan dan pemeliharaan mesin bertenaga baterai**
1. **Isi ulang baterai hanya dengan pengisi daya yang ditentukan oleh pabrikan.** Pengisi daya yang cocok untuk satu jenis paket baterai dapat menimbulkan risiko kebakaran ketika digunakan untuk paket baterai yang lain.
 2. **Gunakan mesin listrik hanya dengan paket baterai yang telah ditentukan secara khusus.** Penggunaan paket baterai lain dapat menimbulkan risiko cedera dan kebakaran.
 3. **Ketika paket baterai tidak digunakan, jauhkan dari benda logam lain, seperti penjepit kertas, uang logam, kunci, paku, sekrup atau benda logam kecil lainnya, yang dapat menghubungkan satu terminal ke terminal lain.** Hubungan singkat terminal baterai dapat menyebabkan luka bakar atau kebakaran.
 4. **Pemakaian yang salah, dapat menyebabkan keluarnya cairan dari baterai; hindari kontak.** Jika terjadi kontak secara tidak sengaja, bilas dengan air. Jika cairan mengenai mata, cari bantuan medis. Cairan yang keluar dari baterai bisa menyebabkan iritasi atau luka bakar.
 5. **Jangan menggunakan paket baterai atau mesin yang sudah rusak atau telah diubah.** Baterai yang rusak atau telah diubah dapat menyebabkan hal-hal yang tidak dapat diprediksi yang dapat menyebabkan kebakaran, ledakan atau risiko cedera.

6. Jangan membiarkan paket baterai atau mesin dekat dengan api atau suhu yang berlebihan. Pajanan api atau suhu di atas 130 °C dapat menyebabkan ledakan.
7. Ikuti semua petunjuk pengisian daya dan jangan mengisi daya paket baterai atau mesin di luar rentang suhu yang ditentukan di panduan. Mengisi daya secara tidak tepat dapat merusak baterai dan meningkatkan risiko kebakaran.
8. Jangan memaku, memotong, menghancurkan, melempar, menjatuhkan kartrid baterai, atau memukulkan benda keras ke kartrid baterai. Tindakan tersebut dapat menimbulkan api, panas berlebih, atau ledakan.
9. Jangan menggunakan baterai yang rusak.
10. **Baterai litium-ion yang disertakan sesuai dengan persyaratan Perundangan Makanan Berbahaya.** Harus ada pengawasan untuk pengangkutan komersial misalnya oleh pihak ketiga, ekspeditor, persyaratan khusus terhadap pengemasan dan pelabelan. Diperlukan adanya konsultasi dengan ahli mengenai material berbahaya untuk persiapan barang yang akan dikirimkan. Perhatikan pula peraturan nasional yang lebih terperinci yang mungkin ada. Beri perekat atau tutupi bagian yang terbuka dan kemasi baterai dengan cara yang tidak akan menimbulkan pergeseran dalam pengemasan.

SIMPAN PETUNJUK INI.

⚠️ PERINGATAN: JANGAN biarkan kenyamanan atau terbiasanya Anda dengan produk (karena penggunaan berulang) mengurangi kepatuhan yang ketat terhadap aturan keselamatan untuk produk yang terkait. **PENYALAHGUNAAN** atau kelalaian mematuhi kaidah keselamatan yang tertera dalam petunjuk ini dapat menyebabkan cedera badan serius.

Petunjuk keselamatan penting untuk kartrid baterai

1. Sebelum menggunakan kartrid baterai, bacalah semua petunjuk dan penandaan pada (1) pengisi daya baterai, (2) baterai, dan (3) produk yang menggunakan baterai.
2. Jangan membongkar atau memodifikasi kartrid baterai. Tindakan tersebut dapat menimbulkan api, panas berlebih, atau ledakan.
3. Jika waktu beroperasinya menjadi sangat singkat, segera hentikan penggunaan. Hal tersebut dapat menimbulkan risiko panas berlebih, kemungkinan mengalami luka bakar atau bahkan terjadi ledakan.
4. Jika elektrolit mengenai mata Anda, basuh dengan air bersih dan segera cari pertolongan medis. Hal tersebut dapat mengakibatkan hilangnya kemampuan penglihatan Anda.
5. Jangan menghubungkan terminal kartrid baterai:
 - (1) Jangan menyentuh terminal dengan bahan penghantar listrik apa pun.
 - (2) Hindari menyimpan kartrid baterai pada wadah yang berisi benda logam lain seperti paku, uang logam, dsb.
 - (3) Jangan membiarkan baterai terkena air atau kehujanan.
 Hubungan singkat baterai dapat menyebabkan aliran arus listrik yang besar, panas berlebih, kemungkinan mengalami luka bakar dan bahkan kerusakan pada baterai.
6. Jangan menyimpan dan menggunakan mesin dan kartrid baterai pada lokasi dengan suhu yang bisa mencapai atau melebihi 50 °C (122 °F).
7. Jangan membuang kartrid baterai di tempat pembakaran sampah walaupun benar-benar rusak atau tidak bisa digunakan sama sekali. Kartrid baterai bisa meledak jika terbakar.
11. **Ketika membuang kartrid baterai, lepaskan dari mesin dan buang ke tempat yang aman. Patuhi peraturan setempat yang berkaitan dengan pembuangan baterai.**
12. **Gunakan baterai hanya dengan produk yang ditentukan oleh Makita.** Memasang baterai pada produk yang tidak sesuai dapat menyebabkan kebakaran, kelebihan panas, ledakan, atau kebocoran elektrolit.
13. **Jika mesin tidak digunakan dalam jangka waktu yang lama, baterai harus dilepas dari mesin.**
14. **Selama dan setelah digunakan, kartrid baterai mungkin menyimpan panas yang dapat menyebabkan luka bakar atau luka bakar suhu rendah.** Perhatikan cara memegang kartrid baterai yang masih panas.
15. **Jangan langsung menyentuh terminal mesin setelah digunakan karena suhunya mungkin cukup panas untuk menyebabkan luka bakar.**
16. **Jangan biarkan serpihan, debu, atau tanah menempel di terminal, lubang, dan alur kartrid baterai.** Hal tersebut dapat mengakibatkan kinerja buruk atau kerusakan mesin maupun kartrid baterai.
17. **Kecuali jika mesin mendukung penggunaan di dekat saluran listrik bertegangan tinggi, jangan gunakan kartrid baterai di dekat saluran listrik bertegangan tinggi.** Hal tersebut dapat mengakibatkan kegagalan fungsi atau kerusakan mesin maupun kartrid baterai.
18. **Jauhkan baterai dari jangkauan anak-anak.**

SIMPAN PETUNJUK INI.

⚠️ PERHATIAN: Gunakan baterai asli Makita. Penggunaan baterai Makita yang tidak asli, atau baterai yang sudah diubah, akan mengakibatkan baterai mudah terbakar, cedera dan kerusakan. Akan menghilangkan garansi Makita pada pengisi daya dan alat Makita.

Tip untuk menjaga agar umur pemakaian baterai maksimum

1. Isi ulang kartrid baterai sebelum habis sama sekali. Selalu hentikan penggunaan mesin dan ganti kartrid baterai jika Anda melihat bahwa mesin kurang tenaga.
2. Jangan pernah mengisi ulang kartrid baterai yang sudah diisi penuh. Pengisian ulang yang berlebihan memperpendek umur pemakaian baterai.
3. Isi ulang kartrid baterai pada suhu ruangan 10 °C - 40 °C. Biarkan kartrid baterai yang panas menjadi dingin terlebih dahulu sebelum diisi ulang.
4. Saat kartrid baterai tidak digunakan, lepaskan dari mesin atau pengisi daya.
5. Isi ulang daya kartrid baterai jika Anda tidak menggunakannya untuk jangka waktu yang lama (lebih dari enam bulan).

Petunjuk keselamatan penting untuk unit nirkabel

1. Jangan membongkar atau memodifikasi unit nirkabel.
2. Jauhkan unit nirkabel dari anak kecil. Jika tidak sengaja tertelan, segera minta pertolongan medis.
3. Gunakan unit nirkabel hanya dengan peralatan Makita.
4. Pastikan unit nirkabel tidak keujanan atau basah.
5. Jangan menggunakan unit nirkabel di tempat-tempat yang bersuhu lebih dari 50°C.
6. Jangan menggunakan unit nirkabel di tempat-tempat yang dekat dengan peralatan medis, seperti alat pacu jantung.
7. Jangan menggunakan unit nirkabel di tempat-tempat yang dekat dengan perangkat otomatis. Jika tetap digunakan, perangkat otomatis dapat menjadi tidak berfungsi atau rusak.
8. Jangan mengoperasikan unit nirkabel di tempat-tempat yang dapat menghasilkan listrik statis atau gangguan listrik.
9. Unit nirkabel dapat menghasilkan medan magnet (EMF), tetapi medan magnet ini tidak berbahaya bagi pengguna.
10. Unit nirkabel merupakan suatu peralatan yang akurat. Berhati-hatilah jangan sampai unit nirkabel jatuh atau terbentur.
11. Jangan menyentuh terminal unit nirkabel dengan tangan tanpa pelindung atau dengan barang berbahan logam.
12. Selalu lepaskan baterai dari produk ketika memasang unit nirkabel ke dalamnya.
13. Ketika membuka penutup celah hindari tempat yang dapat mengakibatkan debu dan air masuk ke dalam celah. Selalu jaga tempat masuk celah dalam keadaan bersih.
14. Selalu masukkan unit nirkabel dengan arah yang benar.

15. Jangan menekan tombol pengaktifan nirkabel pada unit nirkabel terlalu kuat dan/atau menekan tombol dengan benda berujung tajam.
16. Selalu tutup bagian penutup celah selama digunakan.
17. Jangan melepaskan unit nirkabel dari celah ketika daya sedang mengalir ke dalam mesin. Melakukan hal ini dapat menyebabkan kerusakan fungsi pada unit nirkabel.
18. Jangan melepaskan stiker pada unit nirkabel.
19. Jangan menempelkan stiker apa pun pada unit nirkabel.
20. Jangan meninggalkan unit nirkabel di tempat yang dapat menghasilkan listrik statis atau gangguan listrik.
21. Jangan meninggalkan unit nirkabel di tempat dengan panas tinggi seperti pada mobil di bawah sinar matahari langsung.
22. Jangan meninggalkan unit nirkabel di tempat berdebu atau berserbuk atau di tempat yang dapat menghasilkan gas yang bersifat korosif.
23. Perubahan suhu secara mendadak dapat mengakibatkan unit nirkabel menjadi berembun. Jangan menggunakan unit nirkabel hingga embun telah benar-benar kering.
24. Ketika membersihkan unit nirkabel, usap dengan hati-hati menggunakan kain lembut dan kering. Jangan menggunakan benzena, tiner, gemuk konduktif atau sejenisnya.
25. Ketika menyimpan unit nirkabel, simpan dalam kotak yang disediakan atau wadah bebas listrik statis.
26. Jangan memasukkan perangkat apa pun selain unit nirkabel Makita ke dalam celah pada mesin.
27. Jangan menggunakan mesin jika penutup celah rusak. Air, debu, dan kotoran yang masuk ke dalam celah dapat mengakibatkan malafungsi.
28. Jangan menarik dan/atau memutar penutup celah lebih dari yang diperlukan. Pasang ke tempatnya semula jika penutup terlepas dari mesin.
29. Ganti penutup celah jika hilang atau rusak.

SIMPAN PETUNJUK INI.

DESKRIPSI KOMPONEN MESIN

- **Gbr.1:** 1. Tutup tangki 2. Filter serbuk (HEPA) 3. Peredam 4. Pra-saringan 5. Tangki

DESKRIPSI FUNGSI

⚠️ PERHATIAN: Selalu pastikan bahwa mesin dimatikan dan kartrid baterai dilepas sebelum menyatel atau memeriksa kerja mesin.

Memasang atau melepas baterai

⚠️ PERHATIAN: Selalu matikan mesin sebelum memasang atau melepas kartrid baterai.

⚠️ PERHATIAN: Pegang pembersih dan kartrid baterai dengan kuat saat memasang atau melepas kartrid baterai. Apabila pembersih dan kartrid baterai tidak dipegang dengan kuat, mesin dapat terlepas dari tangan Anda dan mengakibatkan kerusakan pada kartrid pembersih dan baterai serta menyebabkan cedera.

⚠️ PERHATIAN: Berhati-hatilah agar jari Anda tidak terjepit saat membuka atau menutup tutup baterai. Kelalaian dalam melakukannya dapat menyebabkan cedera pribadi.

Untuk memasang kartrid baterai, lepaskan kunci terlebih dahulu, lalu buka penutup baterai. Kemudian, masukkan kartrid baterai.

► **Gbr.2:** 1. Kunci 2. Kotak baterai

Sejajarkan lidah kartrid baterai dengan alur pada rumah dan masukkan ke dalam tempatnya. Masukkan seluruhnya sampai terkunci pada tempatnya dan terdengar bunyi klik kecil. Kemudian kunci tutup baterai.

► **Gbr.3:** 1. Kartrid baterai

Untuk melepaskan kartrid baterai, geser kartrid dari mesin sambil menggeser tombol di depan kartrid.

⚠️ PERHATIAN: Selalu pasang kartrid baterai sampai indikator berwarna merah tidak terlihat. Jika tidak, kartrid dapat terjatuh dari pembersih dan menyebabkan cedera pada diri Anda atau seseorang di sekitar Anda.

⚠️ PERHATIAN: Jangan memasang kartrid baterai secara paksa. Jika kartrid tidak bergeser dengan mudah, berarti tidak dimasukkan dengan benar.

CATATAN: Pengisap tidak akan bekerja dengan hanya satu kartrid baterai.

Mengindikasikan kapasitas baterai yang tersisa

Hanya untuk kartrid baterai dengan indikator

► **Gbr.4:** 1. Lampu indikator 2. Tombol pemeriksaan

Tekan tombol pemeriksaan pada kartrid baterai untuk melihat kapasitas baterai yang tersisa. Lampu indikator menyala selama beberapa detik.

Lampu indikator			Kapasitas yang tersisa
Menyala	Mati	Berkedip	
			75% hingga 100%
			50% hingga 75%
			25% hingga 50%
			0% hingga 25%
			Isi ulang baterai.
			Baterai mungkin sudah rusak.

CATATAN: Tergantung kondisi penggunaan dan suhu lingkungannya, penunjukkan mungkin saja sedikit berbeda dari kapasitas sebenarnya.

CATATAN: Lampu indikator pertama (ujung kiri) akan berkedip ketika sistem perlindungan mesin bekerja.

Mengindikasikan kapasitas baterai yang tersisa

► **Gbr.5:** 1. Indikator baterai 2. Tombol pemeriksaan

► **Gbr.6**

Tekan tombol pemeriksaan untuk melihat kapasitas baterai yang tersisa. Indikator baterai berhubungan dengan setiap baterai.

Status indikator baterai			Kapasitas baterai yang tersisa
Menyala	Mati	Berkedip	
			50% hingga 100%
			20% hingga 50%
			0% hingga 20%
			Isi ulang baterai

CATATAN: Selama pembersih menyala dengan sakelar siaga disetel ke "AUTO", indikator baterai tidak akan berjalan.

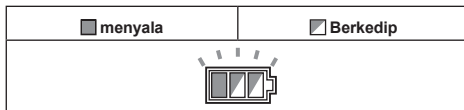
Sistem perlindungan mesin / baterai

Mesin ini dilengkapi dengan sistem perlindungan mesin/ baterai. Sistem ini memutuskan daya ke motor secara otomatis untuk memperpanjang umur pakai mesin dan baterai. Mesin akan berhenti secara otomatis saat dioperasikan jika mesin atau baterai mengalami salah satu dari kondisi-kondisi berikut ini:

Perlindungan kelebihan beban

Bila mesin dijalankan dengan cara yang menyebabkannya menarik arus tinggi yang tidak normal, mesin akan berhenti secara otomatis tanpa menunjukkan apa-apa. Untuk situasi ini, matikan mesin dan hentikan pekerjaan yang menyebabkan mesin mengalami kelebihan beban. Kemudian nyalakan mesin untuk memulai lagi pekerjaan.

Perlindungan panas berlebih



Bila mesin mengalami panas berlebih, mesin akan berhenti secara otomatis dan indikator baterai berkedip sekitar 60 detik. Untuk situasi ini, biarkan mesin menjadi dingin sebelum menyalakan mesin lagi.

Perlindungan pengisian daya berlebih

Ketika kapasitas baterai melemah, mesin akan berhenti secara otomatis. Jika produk tidak beroperasi bahkan ketika sakelar digunakan, lepaskan baterai dari mesin dan isi daya baterai.

Kerja sakelar

► **Gbr.7:** 1. Sakelar stand by 2. Tombol daya 3. Kenop penyetelan daya isapan



Untuk menyalakan pengisap:

1. Atur sakelar stand by ke sisi "I". Pengisap memasuki kondisi stand by.
2. Tekan tombol daya.

Untuk mengatur pengisap ke mode stand by, tekan tombol daya kembali.

Untuk mematikan pengisap, atur sakelar stand by ke sisi "O".

Tenaga isapan dapat disesuaikan dengan kebutuhan pekerjaan Anda.

Tenaga isapan dapat ditingkatkan dengan memutar kenop penyetel daya isapan dari simbol  ke simbol .

PEMBERITAHUAN: Selalu atur sakelar stand by ke sisi "O" saat tidak menggunakan pengisap dalam waktu lama. Pengisap memakai daya saat kondisi stand by.

Mengunci atau membuka kunci roda caster

► **Gbr.8:** 1. Roda caster 2. Tuas penghenti 3. Posisi BEBAS 4. Posisi TERBUKA

Mengunci roda caster berguna saat menyimpan pengisap, berhenti di tengah-tengah pekerjaan, dan menjaga agar pengisap diam di tempat.

Untuk menggunakan penghenti, gerakkan dengan tangan.

Untuk mengunci roda caster menggunakan penghenti, turunkan tuas penghenti dan roda caster tidak akan berputar. Untuk melepaskan roda caster dari posisi terkunci, naikan tuas penghenti.

CATATAN: Saat menggerakkan pengisap, pastikan roda caster tidak terkunci. Menggerakkan pengisap dengan posisi roda caster terkunci dapat menyebabkan kerusakan pada roda caster.

Pegangan mesin

Saat membawa pengisap, bawa dengan memegang pegangan di bagian kepala. Pegangan dapat dilipat di bagian kepala saat tidak digunakan.

► **Gbr.9**

PERAKITAN

PERHATIAN: Selalu pastikan bahwa mesin dimatikan dan kartrid baterai dilepas sebelum melakukan pekerjaan apa pun pada mesin.

PERHATIAN: Selalu gunakan masker debu saat perakitan atau perawatan.

Memasang filter serbuk (HEPA) dan pra-saringan (untuk debu kering)

PERHATIAN: Dilarang mengisap air atau cairan lain atau debu basah saat menggunakan saringan serbuk. Mengisap benda-benda tersebut dapat menyebabkan kerusakan saringan serbuk.

Cara menggunakan saringan serbuk:

1. Letakkan pra-saringan di dalam tangki dengan menyejajarkan tanda posisi pemasangan.
2. Pasang peredam di atas saringan serbuk kemudian letakkan di dalam pra-saringan dengan menyejajarkan tanda posisi pemasangan.
3. Pasang tutup tangki dan kunci.

► **Gbr.10:** 1. Tutup tangki 2. Filter serbuk (HEPA) 3. Peredam 4. Pra-saringan 5. Tangki 6. Tanda posisi pemasangan

PEMBERITAHUAN: Sebelum menggunakan saringan serbuk, pastikan pra-saringan dan peredam selalu digunakan bersamaan. Dilarang memasang saringan serbuk tanpa memasang komponen lainnya.

Memasang saringan kertas

Pilihan Aksesori

⚠PERINGATAN: Saat menggunakan saringan kertas, gunakan juga pra-saringan bersamaan yang dipasang terlebih dahulu dalam mesin. Kelalaian untuk menggunakan pra-saringan bersamaan dapat menyebabkan suara dan panas tidak biasa, yang mengakibatkan terbakar.

⚠PERHATIAN: Sebelum menggunakan saringan kertas, pastikan saringan serbuk, peredam, dan pra-saringan selalu digunakan bersamaan.

1. Rentangkan saringan kertas.
2. Sejajarkan bukaan saringan kertas dengan bukaan isapan debu pada pengisap.
3. Masukkan papan saringan kertas ke dalam penahan sehingga terpasang pada bagian ujung melebihi tonjolan penahan.

► **Gbr.11:** 1. Saringan kertas 2. Penahan

Memasang kantong polietilen

Pengisap juga dapat digunakan tanpa kantong polietilen. Namun, dengan menggunakan kantong polietilen mengosongkan tangki menjadi lebih mudah tanpa membuat tangan Anda kotor.

Rentangkan kantong polietilen dalam tangki. Masukkan kantong di antara pelat pemegang dan tangki, dan tarik ke arah tempat masuk selang.

► **Gbr.12:** 1. Pelat pemegang 2. Kantong polietilen

Rentangkan kantong di sekitar bagian atas tangki sehingga tepi pra-saringan dapat menjepit dan menahan kantong dengan aman.

► **Gbr.13:** 1. Pra-saringan

CATATAN: Anda dapat menggunakan kantong polietilen yang tersedia di toko. Disarankan menggunakan ukuran 0,04 mm atau lebih tebal.

CATATAN: Debu yang terlalu banyak dapat merobek kantong dengan mudah, jadi jangan mengisap debu lebih dari setengah kapasitas kantong.

Mengosongkan kantong polietilen

⚠PERINGATAN: Selalu pastikan bahwa pengisap telah dimatikan dan kartrid baterai dilepas sebelum mengosongkan kantong polietilen. Kelalaian dalam melakukannya dapat mengakibatkan sengatan listrik atau cedera pribadi.

⚠PERHATIAN: Jangan sampai terjadi benturan keras pada tangki. Terjadinya benturan keras dapat menyebabkan perubahan bentuk dan kerusakan komponen.

⚠PERHATIAN: Kosongkan tangki setidaknya satu kali sehari tetapi hal ini tergantung dari volume debu yang terisap di dalam tangki. Jika tidak, kekuatan isapan akan melemah dan motor dapat rusak.

⚠PERHATIAN: Dilarang memegang kait saat mengosongkan tangki. Memegang kait dapat menyebabkan kait patah.

Lepaskan kait dan angkat tutup tangki. Bersihkan debu dari pra-saringan kemudian keluarkan kantong polietilen dari tangki.

► **Gbr.14**

CATATAN: Keluarkan kantong polietilen dari tangki dengan hati-hati sehingga kantong polietilen tidak tersangkut dan robek oleh tonjolan di dalam tangki saat mengosongkannya.

CATATAN: Kosongkan kantong polietilen sebelum penuh. Debu yang terlalu banyak di dalam tangki dapat menyebabkan kantong polietilen robek.

Memasang kotak alat

1. Lepaskan kunci dari tutup baterai, dan buka tutup baterai.
 2. Atur rel pada kotak alat mengikuti alur pada rumah.
 3. Pasang tutup baterai dan kunci.
- **Gbr.15**

Kotak alat cocok digunakan untuk membawa baterai, pipa, dan manset.

► **Gbr.16**

Menyambungkan selang

PEMBERITAHUAN: Dilarang menekuk atau menyentak selang secara paksa. Dilarang menarik selang saat menggerakkan pengisap. Menekuk, menyentak, dan menarik selang dapat menyebabkan kebocoran atau perubahan bentuk selang.

PEMBERITAHUAN: Saat mengisap limbah besar seperti sampah serutan, debu beton atau sejenisnya kecuali limbah kecil, gunakan selang dengan diameter bagian dalam sebesar 38 mm (pilihan aksesori). Menggunakan selang dengan diameter dalam 28 mm (pilihan aksesori) dapat menyebabkan tersumbat dan rusaknya selang.

Masukkan selang ke dalam port pemasangan tangki dan putar searah jarum jam sampai terkunci.

► **Gbr.17**

Menghubungkan perangkat tambahan dengan fungsi pengunci

Pilihan Aksesori

Masukkan perangkat tambahan ke dalam inlet pengisap dan putar hingga terdengar bunyi klik.

Untuk melepaskan, tarik perangkat tambahan sambil menekan tombol pelepas.

- **Gbr.18:** 1. Inlet pengisap dengan fungsi pengunci 2. Tombol pelepas 3. Perangkat tambahan dengan fungsi pengunci

CATATAN: Perangkat tambahan dengan fungsi pengunci tersedia saat menggunakan inlet pengisap dengan fungsi pengunci.

- **Gbr.19:** 1. Perangkat tambahan dengan fungsi pengunci 2. Inlet pengisap dengan fungsi pengunci 3. Inlet pengisap tanpa fungsi pengunci

Menyetel panjang pipa sambungan tipe geser

Pilihan Aksesori

Dengan menekan tombol geser, sesuaikan panjang pipa. Panjangnya terkunci saat tombol geser dilepaskan.

- **Gbr.20:** 1. Tombol geser

FUNGSI PENGAKTIFAN NIRKABEL

Kegunaan dari fungsi pengaktifan nirkabel

Fungsi pengaktifan nirkabel memungkinkan pengoperasian yang bersih dan nyaman. Dengan menyambungkan mesin yang didukung ke pembersih, Anda dapat menjalankan pembersih secara otomatis bersama dengan pengoperasian sakelar mesin.

- **Gbr.21**

PEMBERITAHUAN: Pastikan telah melihat petunjuk penggunaan mesin saat menggunakan pembersih dengan fungsi pengaktifan nirkabel.

PEMBERITAHUAN: Jangan membongkar atau memodifikasi unit nirkabel.

PEMBERITAHUAN: Untuk menghindari debu masuk ke celah unit nirkabel, selalu tutup penutup dengan kuat selama pengoperasian dan penyimpanan.

PEMBERITAHUAN: Jangan melepaskan unit nirkabel ketika daya sedang dialirkan. Melakukan hal ini dapat menyebabkan kerusakan fungsi pada unit nirkabel.

PEMBERITAHUAN: Jangan menekan tombol pengaktifan nirkabel terlalu kuat dan/atau menekan tombol dengan benda berujung tajam.

CATATAN: Pengaktifan nirkabel memerlukan peralatan Makita yang dilengkapi dengan unit nirkabel.

CATATAN: Sebelum penggunaan awal fungsi pengaktifan nirkabel dengan masing-masing mesin, diperlukan registrasi mesin. Setelah registrasi selesai dengan mesin, registrasi ulang tidak perlu dilakukan kecuali apabila registrasi tersebut dibatalkan.

CATATAN: Sebelum registrasi, pastikan bahwa unit nirkabel telah dimasukkan dengan benar.

CATATAN: Satu unit nirkabel dapat meregistrasi hingga 10 tautan dengan unit nirkabel lain. Jika lebih dari 10 unit nirkabel lain teregistrasi ke satu unit nirkabel, yang teregistrasi paling awal akan dibatalkan secara otomatis.

CATATAN: Terdapat berbagai posisi tombol pengaktifan nirkabel, tergantung pada mesin.

CATATAN: Pembersih juga dijalankan dengan menekan tombol daya saat sakelar siaga disetel ke "AUTO". Namun, tombol daya tidak akan berfungsi saat fungsi pengaktifan nirkabel digunakan.

Memasang unit nirkabel

PERHATIAN: Letakkan pembersih pada permukaan yang datar dan stabil pada saat memasang unit nirkabel.

PEMBERITAHUAN: Bersihkan debu dan kotoran yang menempel pada pembersih sebelum memasang unit nirkabel. Debu atau kotoran dapat mengakibatkan malafungsi jika masuk ke dalam celah unit nirkabel.

PEMBERITAHUAN: Untuk mencegah terjadinya malafungsi yang disebabkan oleh listrik statis, sentuh bahan yang melepaskan muatan listrik statis, seperti bagian logam, sebelum mengambil unit nirkabel.

PEMBERITAHUAN: Ketika memasang unit nirkabel, selalu pastikan bahwa unit nirkabel dimasukkan dengan arah yang benar dan penutup telah benar-benar ditutup.

1. Buka penutup pada pembersih sebagaimana yang ditunjukkan dalam gambar.
► **Gbr.22:** 1. Penutup

2. Masukkan unit nirkabel ke celah dan kemudian tutup penutup.

Ketika memasang unit nirkabel, sejajarkan proyeksi dengan bagian-bagian ceruk pada celah.

- **Gbr.23:** 1. Unit nirkabel 2. Proyeksi 3. Penutup 4. Bagian-bagian ceruk

Ketika melepaskan unit nirkabel, buka penutup secara perlahan. Kait pada bagian belakang penutup akan mengangkat unit nirkabel ketika Anda menarik penutup.

- **Gbr.24:** 1. Unit nirkabel 2. Kait 3. Penutup

Setelah melepaskan unit nirkabel, simpan unit dalam kotak yang disediakan atau wadah bebas listrik statis.

PEMBERITAHUAN: Selalu gunakan kait pada bagian belakang penutup pada saat melepaskan unit nirkabel. Jika kait tidak mengenai unit nirkabel, tutup penutup sepenuhnya dan buka kembali secara perlahan.

Registrasi mesin untuk pembersih

CATATAN: Mesin Makita yang mendukung fungsi pengaktifan nirkabel diperlukan untuk registrasi mesin.

CATATAN: Selesaikan pemasangan unit nirkabel ke mesin sebelum memulai registrasi mesin.

CATATAN: Selama registrasi mesin, jangan menarik pelatuk sakelar pada mesin atau menghidupkan sakelar daya pada pembersih.

CATATAN: Lihat juga petunjuk penggunaan mesin.

Jika Anda ingin mengaktifkan pembersih bersama dengan pengoperasian sakelar mesin, selesaikan registrasi mesin terlebih dahulu.

1. Pasang unit nirkabel ke pembersih dan mesin, secara berurutan.
2. Pasang baterai ke pembersih dan mesin.
3. Setel sakelar siaga pada pembersih ke "AUTO".
► **Gbr.25:** 1. Sakelar siaga
4. Tekan tombol pengaktifan nirkabel pada pembersih selama 3 detik hingga lampu pengaktifan nirkabel berkedip menjadi warna hijau. Kemudian tekan tombol pengaktifan nirkabel pada mesin dengan cara yang sama.
► **Gbr.26:** 1. Tombol pengaktifan nirkabel 2. Lampu pengaktifan nirkabel

Jika pembersih dan mesin berhasil tersambung, lampu pengaktifan nirkabel akan menyala hijau selama 2 detik dan mulai berkedip dalam warna biru.

CATATAN: Lampu pengaktifan nirkabel akan berhenti berkedip dalam warna hijau setelah 20 detik. Tekan tombol pengaktifan nirkabel pada mesin ketika lampu pengaktifan nirkabel pada pembersih berkedip. Jika lampu pengaktifan nirkabel tidak berkedip dalam warna hijau, tekan tombol pengaktifan nirkabel sebentar dan tahan kembali.

CATATAN: Ketika melakukan registrasi beberapa mesin untuk pembersih, selesaikan registrasi mesin satu demi satu.

Memulai fungsi pengaktifan nirkabel

CATATAN: Selesaikan registrasi mesin untuk pembersih untuk pengaktifan nirkabel.

CATATAN: Selalu posisikan pembersih sehingga Anda dapat melihat status lampu pengaktifan nirkabel.

CATATAN: Lihat juga petunjuk penggunaan mesin.

Setelah registrasi mesin ke pembersih, pembersih akan secara otomatis bekerja bersama dengan pengoperasian sakelar mesin.

1. Pasang unit nirkabel ke pembersih dan mesin, secara berurutan.

2. Pasang baterai ke pembersih dan mesin.
3. Sambungkan selang pembersih dengan mesin.
► **Gbr.27**
4. Setel sakelar siaga pada pembersih ke "AUTO".
► **Gbr.28:** 1. Sakelar siaga
5. Tekan sebentar tombol pengaktifan nirkabel pada mesin. Lampu pengaktifan nirkabel akan berkedip dalam warna biru.
► **Gbr.29:** 1. Tombol pengaktifan nirkabel 2. Lampu pengaktifan nirkabel
6. Tarik pelatuk sakelar pada mesin. Periksa apakah pembersih bekerja ketika pelatuk sakelar pada mesin ditarik.

PERHATIAN: Selalu periksa jika fungsi pengaktifan nirkabel bekerja sebelum memulai pekerjaan dengan mesin.

Untuk menghentikan pengaktifan nirkabel, tekan tombol pengaktifan nirkabel pada mesin, atau setel sakelar siaga pada pembersih ke "I" atau "O".

CATATAN: Lampu pengaktifan nirkabel pada mesin akan berhenti berkedip dalam warna biru jika tidak ada pengoperasian selama 2 jam. Dalam kasus ini, setel sakelar siaga pada pembersih ke "AUTO" dan tekan kembali tombol pengaktifan nirkabel pada mesin.

CATATAN: Pembersih akan mulai/berhenti dengan jeda. Ada jeda waktu ketika pembersih mendeteksi adanya pengoperasian sakelar mesin.

CATATAN: Jarak transmisi unit nirkabel dapat berbeda, tergantung lokasi dan keadaan sekitar.

CATATAN: Ketika beberapa mesin teregistrasi ke satu pembersih, pembersih dapat mulai bekerja walaupun Anda tidak menarik pelatuk sakelar karena pengguna lain sedang menggunakan fungsi pengaktifan nirkabel.

Membatalkan registrasi mesin untuk pembersih

Lakukan prosedur berikut ketika membatalkan registrasi mesin untuk pembersih.

1. Pasang unit nirkabel ke pembersih dan mesin, secara berurutan.
2. Pasang baterai ke pembersih dan mesin.
3. Setel sakelar siaga pada pembersih ke "AUTO".
► **Gbr.30:** 1. Sakelar siaga
4. Tekan tombol pengaktifan nirkabel pada pembersih selama 6 detik. Lampu pengaktifan nirkabel berkedip dalam warna hijau dan kemudian akan menjadi merah. Setelah itu, tekan tombol pengaktifan nirkabel pada mesin dengan cara yang sama.
► **Gbr.31:** 1. Tombol pengaktifan nirkabel 2. Lampu pengaktifan nirkabel

Jika pembatalan berhasil dilakukan, lampu pengaktifan nirkabel akan menyala dalam warna merah selama 2 detik dan mulai berkedip dalam warna biru.

CATATAN: Lampu pengaktifan nirkabel berhenti berkedip dalam warna merah setelah 20 detik. Tekan tombol pengaktifan nirkabel pada mesin ketika lampu pengaktifan nirkabel pada pembersih berkedip. Jika lampu pengaktifan nirkabel tidak berkedip dalam warna merah, tekan tombol pengaktifan nirkabel sebentar dan tahan kembali.

Menghapus semua registrasi mesin

Anda dapat menghapus semua registrasi mesin dari pembersih sebagai berikut.

► **Gbr.32:** 1. Sakelar siaga 2. Tombol pengaktifan nirkabel 3. Lampu pengaktifan nirkabel

1. Pasang unit nirkabel ke pembersih.
2. Pasang baterai ke pembersih.

3. Setel sakelar siaga ke "AUTO".
4. Tahan tombol pengaktifan nirkabel selama sekitar 6 detik sampai lampu pengaktifan nirkabel berkedip merah (sekitar dua kali per satu detik).
5. Saat lampu pengaktifan nirkabel mulai berkedip merah, lepaskan jari Anda dari tombol pengaktifan nirkabel. Setelah itu, tekan tombol pengaktifan nirkabel lagi selama sekitar 6 detik.
6. Saat lampu pengaktifan nirkabel mulai berkedip cepat (sekitar 5 kali per satu detik) berwarna merah, lepaskan jari Anda dari tombol pengaktifan nirkabel. Saat lampu pengaktifan nirkabel menyala merah lalu mati, semua registrasi mesin terhapus.

CATATAN: Jika lampu pengaktifan nirkabel tidak berkedip dalam warna merah, tekan tombol pengaktifan nirkabel sebentar dan coba lagi.

Deskripsi mengenai status lampu pengaktifan nirkabel

► **Gbr.33:** 1. Tombol pengaktifan nirkabel 2. Lampu pengaktifan nirkabel

Lampu pengaktifan nirkabel menunjukkan status dari fungsi pengaktifan nirkabel. Lihat pada tabel di bawah untuk mengetahui arti dari status lampu.

Status	Lampu pengaktifan nirkabel			Deskripsi	
	Warna	<input type="checkbox"/> Menyala	<input type="checkbox"/> Berkedip		Durasi (kira-kira)
Siaga	Biru	<input checked="" type="checkbox"/>		Pembersih: melanjutkan Mesin: 2 jam	Menunggu registrasi mesin atau fungsi pengaktifan nirkabel tersedia. Lampu pada pembersih berkedip jika sakelar siaga disetel ke AUTO. Lampu pada mesin berkedip saat tombol pengaktifan nirkabel ditekan. Lampu pada mesin akan mati secara otomatis ketika tidak ada pengoperasian yang dilakukan selama 2 jam.
		<input type="checkbox"/>		Ketika mesin bekerja.	
Registrasi mesin	Hijau	<input checked="" type="checkbox"/>		20 detik	Siap untuk registrasi mesin. Mencari mesin yang akan diregistrasi.
		<input type="checkbox"/>		2 detik	Registrasi mesin telah selesai. Lampu pengaktifan nirkabel akan mulai berkedip dalam warna biru.
Membatalkan/menghapus registrasi mesin	Merah	<input checked="" type="checkbox"/>		20 detik (pelan: 2 kali/detik.)	Siap untuk membatalkan registrasi mesin. Mencari mesin yang akan dibatalkan.
		<input checked="" type="checkbox"/>		Saat tombol pengaktifan nirkabel ditekan.	Siap menghapus semua registrasi mesin.
		<input type="checkbox"/>		2 detik	Registrasi mesin telah dibatalkan/dihapus. Lampu pengaktifan nirkabel akan mulai berkedip dalam warna biru.
Lainnya	Merah	<input type="checkbox"/>		3 detik	Daya dialirkan ke unit nirkabel dan fungsi pengaktifan nirkabel dimulai.
	Mati	-		-	Sakelar siaga tidak disetel ke "AUTO".

Pemecahan masalah fungsi pengaktifan nirkabel

Sebelum meminta perbaikan, lakukan pemeriksaan mandiri terlebih dahulu. Jika Anda menemukan masalah yang tidak dijelaskan dalam buku petunjuk ini, jangan coba membongkar mesin. Sebaliknya, hubungi Pusat Servis Resmi Makita, dan selalu gunakan suku cadang pengganti Makita untuk perbaikan.

Keadaan Tidak Normal	Kemungkinan penyebab (kerusakan fungsi)	Perbaikan
Lampu pengaktifan nirkabel tidak menyala/berkedip.	Unit nirkabel tidak terpasang ke pembersih dan/atau mesin. Unit nirkabel terpasang secara tidak tepat ke pembersih dan/atau mesin.	Pasang unit nirkabel dengan benar.
	Terminal unit nirkabel dan/atau celah kotor.	Bersihkan dengan lembut debu dan kotoran yang terdapat pada terminal unit nirkabel dan bersihkan celah pembersih dan/atau mesin.
	Tombol pengaktifan nirkabel pada mesin belum ditekan.	Tekan sebentar tombol pengaktifan nirkabel pada mesin.
	Sakelar siaga pada pembersih tidak disetel ke "AUTO".	Setel sakelar siaga pada pembersih ke "AUTO".
	Tidak ada pasokan daya	Alirkan daya ke mesin dan pembersih.
Tidak dapat menyelesaikan registrasi mesin/pembatalan registrasi mesin.	Unit nirkabel tidak terpasang ke pembersih dan/atau mesin. Unit nirkabel terpasang secara tidak tepat ke pembersih dan/atau mesin.	Pasang unit nirkabel dengan benar.
	Terminal unit nirkabel dan/atau celah kotor.	Bersihkan dengan lembut debu dan kotoran yang terdapat pada terminal unit nirkabel dan bersihkan celah pembersih dan/atau mesin.
	Sakelar siaga pada pembersih tidak disetel ke "AUTO".	Setel sakelar siaga pada pembersih ke "AUTO".
	Tidak ada pasokan daya	Alirkan daya ke mesin dan pembersih.
	Pengoperasian salah	Tekan sejenak tombol pengaktifan nirkabel dan lakukan kembali prosedur registrasi mesin/pembatalan.
	Mesin dan pembersih saling berjauhan satu sama lain (di luar jangkauan transmisi).	Dekatkan mesin dan pembersih satu sama lain. Jarak transmisi maksimum adalah sekitar 10 m, tetapi jarak dapat berbeda sesuai dengan keadaan.
	Sebelum menyelesaikan registrasi mesin/pembatalan; - pelatuk sakelar pada mesin ditarik, atau; - tombol daya pada pembersih dinyalakan.	Tekan sejenak tombol pengaktifan nirkabel dan lakukan kembali prosedur registrasi mesin/pembatalan.
	Prosedur registrasi mesin untuk mesin atau pembersih belum selesai.	Lakukan prosedur registrasi mesin untuk mesin dan pembersih di waktu yang sama.
Gangguan radio oleh perangkat lain yang menghasilkan gelombang radio intensitas tinggi.	Jauhkan mesin dan pembersih dari perangkat seperti perangkat Wi-Fi dan oven microwave.	

Kondisi Tidak Normal	Kemungkinan penyebab (kerusakan fungsi)	Perbaikan
Pembersih tidak bekerja bersama dengan pengoperasian sakelar mesin.	Unit nirkabel tidak terpasang ke pembersih dan/atau mesin. Unit nirkabel terpasang secara tidak tepat ke pembersih dan/atau mesin.	Pasang unit nirkabel dengan benar.
	Terminal unit nirkabel dan/atau celah kotor.	Bersihkan dengan lembut debu dan kotoran yang terdapat pada terminal unit nirkabel dan bersihkan celah pembersih dan/atau mesin.
	Tombol pengaktifan nirkabel pada mesin belum ditekan.	Tekan sejenak tombol pengaktifan nirkabel dan pastikan lampu pengaktifan nirkabel berkedip dalam warna biru.
	Sakelar siaga pada pembersih tidak disetel ke "AUTO".	Setel sakelar siaga pada pembersih ke "AUTO".
	Lebih dari 10 mesin teregistrasi ke pembersih.	Lakukan kembali registrasi mesin. Jika lebih dari 10 mesin teregistrasi ke pembersih, mesin yang teregistrasi paling awal akan dibatalkan secara otomatis.
	Pembersih menghapus semua registrasi mesin.	Lakukan kembali registrasi mesin.
	Tidak ada pasokan daya	Alirkan daya ke mesin dan pembersih.
	Mesin dan pembersih saling berjauhan satu sama lain (di luar jangkauan transmisi).	Dekatkan mesin dan pembersih satu sama lain. Jarak transmisi maksimum adalah sekitar 10 m, tetapi jarak dapat berbeda sesuai dengan keadaan.
Pembersih bekerja ketika pelatuk sakelar mesin tidak ditarik.	Gangguan radio oleh perangkat lain yang menghasilkan gelombang radio intensitas tinggi.	Jauhkan mesin dan pembersih dari perangkat seperti perangkat Wi-Fi dan oven microwave.
	Pengguna lain sedang menggunakan pengaktifan nirkabel pembersih dengan mesin mereka.	Matikan tombol pengaktifan nirkabel dari mesin lain atau batalkan registrasi mesin dari mesin lain.
	Menekan tombol nirkabel pada mesin.	Tekan tombol nirkabel pada pembersih untuk menghapus semua registrasi mesin.
Tidak dapat menghapus semua registrasi mesin pada pembersih.	Sakelar siaga pada pembersih tidak disetel ke "AUTO".	Setel sakelar siaga pada pembersih ke "AUTO".
	Tombol pengaktifan nirkabel tidak ditahan dengan benar.	Tahan tombol pengaktifan nirkabel selama lebih dari 6 detik dan kemudian lepaskan saat lampu pengaktifan nirkabel berkedip merah. Tahan kembali tombol pengaktifan nirkabel selama lebih dari 6 detik sampai lampu pengaktifan nirkabel berkedip merah dengan cepat kemudian lepaskan tombol.

PERAWATAN

PERHATIAN: Selalu pastikan bahwa mesin dimatikan dan kartrid baterai dilepas sebelum melakukan pemeriksaan atau perawatan.

PEMBERITAHUAN: Jangan sekali-kali menggunakan bensin, tiner, alkohol, atau bahan sejenisnya. Penggunaan bahan demikian dapat menyebabkan perubahan warna, perubahan bentuk atau timbulnya retakan.

Untuk menjaga KEAMANAN dan KEANDALAN mesin, perbaikan, perawatan atau penyetulan lainnya harus dilakukan oleh Pusat Layanan Resmi atau Pabrik Makita; selalu gunakan suku cadang pengganti buatan Makita.

Penyimpanan aksesoris

Pipa dapat dimasukkan ke dalam pemegang pipa saat tidak menggunakan pengisap dalam waktu lama.

► Gbr.34

► Gbr.35

Selang dapat disimpan melingkar pada alat dengan menghubungkan masing-masing ujungnya.

► Gbr.36

Membersihkan filter serbuk (HEPA) dan pra-saringan

Saringan serbuk, pra-saringan, dan peredam yang tersumbat menyebabkan kinerja isapan yang buruk. Bersihkan saringan dan peredam secara berkala.

Untuk membersihkan debu atau partikel yang melekat pada saringan, goyang-goyang bagian bawah rangka dengan cepat beberapa kali.

► **Gbr.37:** 1. Pra-saringan

Bersihkan saringan serbuk secara berkala, cuci dan keringkan di tempat yang teduh sebelum menggunakan. Dilarang mencuci saringan dengan mesin cuci.

► **Gbr.38**

CATATAN: Dilarang menggosok atau menggaruk saringan serbuk, pra-saringan atau peredam dengan benda keras seperti sikat dan pengeruk.

CATATAN: Saringan akan aus seiring waktu. Disarankan untuk memiliki cadangannya.

AKSESORI PILIHAN

⚠PERHATIAN: Dianjurkan untuk menggunakan aksesoris atau perangkat tambahan ini dengan mesin Makita Anda yang ditentukan dalam petunjuk ini. Penggunaan aksesoris atau perangkat tambahan lain bisa menyebabkan risiko cedera pada manusia. Hanya gunakan aksesoris atau perangkat tambahan sesuai dengan peruntukkannya.

Jika Anda memerlukan bantuan lebih rinci berkenaan dengan aksesoris ini, tanyakan pada Pusat Layanan Makita terdekat.

- Selang
- Manset depan (22, 24, 38)
- Pipa lurus
- Gagang tambahan
- Nosel sudut
- Sikat bundar
- Filter serbuk, HEPA (untuk debu kering)
- Peredam
- Pra-saringan
- Rakitan nosel
- Pipa lengkung
- Kantong polietilen
- Saringan kertas
- Set penahan
- Baterai dan pengisi daya asli buatan Makita

CATATAN: Beberapa item dalam daftar tersebut mungkin sudah termasuk dalam paket mesin sebagai aksesoris standar. Hal tersebut dapat berbeda dari satu negara ke negara lainnya.

AMARAN

- Mesin ini tidak bertujuan untuk digunakan oleh individu termasuk kanak-kanak dengan kekurangan daya fizikal, deria atau mental, atau kekurangan pengetahuan dan pengalaman.
- Kanak-kanak harus diselia untuk memastikan mereka tidak bermain dengan pembersih ini.
- Lihat bab "SPESIFIKASI" untuk rujukan jenis bateri.
- Lihat bahagian "Memasang atau mengeluarkan kartrij bateri" untuk cara mengeluarkan atau memasang bateri.
- Apabila melupuskan kartrij bateri, keluarkan ia daripada alat dan lupuskan ia di tempat selamat. Ikut peraturan tempatan anda mengenai pelupusan bateri.
- Jika alat tidak digunakan untuk tempoh masa yang lama, bateri mesti dikeluarkan daripada alat.
- Jangan pintaskan kartrij bateri.
- Lihat bab "PENYELENGGARAAN" untuk mendapatkan butiran langkah berjaga-jaga yang sesuai semasa penyelenggaraan pengguna.

SPESIFIKASI

Model:	DVC867L	DVC157L
Jenis penapis standard	Penapis serbuk (untuk debu kering)	
Jumlah udara maksimum (dengan BL1850B, Φ 38 mm x 2.5 m)	2.4 m ³ /min	
Hampagas (dengan BL1850B, Φ 38 mm x 2.5 m)	11 kPa	
Kapasiti boleh pulih	8 L	15 L
Dimensi (P x L x T)	366 mm x 334 mm x 368 mm	366 mm x 334 mm x 421 mm
Voltan terkadar	D.C. 36 V	
Berat bersih	7.7 - 8.4 kg	8.0 - 8.6 kg
Tahap perlindungan	IPX4	

- Disebabkan program penyelidikan dan pembangunan kami yang berterusan, spesifikasi yang terkandung di dalam ini adalah tertakluk kepada perubahan tanpa notis.
- Spesifikasi dan kartrij bateri mungkin berbeza mengikut negara.
- Berat tidak termasuk aksesori tetapi kartrij bateri. Berat kombinasi paling ringan dan paling berat perkakas dan kartrij bateri ditunjukkan di dalam jadual.

Kartrij bateri dan pengecas yang boleh digunakan

Kartrij bateri	BL1815N / BL1820B / BL1830B / BL1840B / BL1850B / BL1860B
Pengecas	DC18RC / DC18RD / DC18RE / DC18SD / DC18SE / DC18SF / DC18SH

- Sesetengah kartrij bateri dan pengecas yang disenaraikan di atas mungkin tidak tersedia bergantung pada kawasan kediaman anda.

⚠️ AMARAN: Hanya menggunakan kartrij bateri dan pengecas yang disenaraikan di atas. Penggunaan mana-mana kartrij bateri dan pengecas lain boleh menyebabkan kecederaan dan/atau kebakaran.

Simbol

Berikut menunjukkan simbol-simbol yang boleh digunakan untuk alat ini. Pastikan anda memahami maksudnya sebelum menggunakan.



Baca manual arahan.



Sila gunakan dengan berhati-hati dan penuh perhatian.



Amaran! Pembersih ini mungkin mengandungi debu yang berbahaya.



Jangan sekali-kali berdiri di atas pembersih.



Debu kelas L (ringan). Pembersih ini mampu menyedut debu kelas L. Ikut peraturan negara anda berkaitan dengan debu dan kesihatan dan keselamatan pekerjaan.



Ni-MH
Li-ion

Hanya untuk negara-negara EU
Disebabkan kehadiran komponen berbahaya dalam peralatan, sisa peralatan elektrik dan elektronik, akumulator dan bateri boleh memberi kesan negatif terhadap persekitaran dan kesihatan manusia.

Jangan buang alat elektrik dan elektronik atau bateri bersama dengan bahan buangan isi rumah!
Mengikut Arahan Eropah mengenai sisa peralatan elektrik dan mengenai akumulator dan bateri dan sisa akumulator dan bateri serta penyesuaian dengan undang-undang negara, sisa peralatan elektrik, bateri dan akumulator hendaklah disimpan secara berasingan dan dihantar ke tempat pengumpulan berasingan untuk sisa perbandaran, beroperasi mengikut peraturan perlindungan persekitaran.
Ini ditunjukkan oleh simbol tong sampah beroda yang bersilang pada peralatan.

Tujuan penggunaan

Tujuan penggunaan alat untuk mengumpul debu kering. Alat ini sesuai untuk kegunaan komersial, sebagai contoh di hotel, sekolah, hospital, kilang, kedai, pejabat dan perniagaan sewaan.

AMARAN KESELAMATAN

Amaran keselamatan pembersih hampagas tanpa wayar

⚠️ AMARAN: PENTING! BACA DENGAN TELITI semua amaran keselamatan dan semua arahan SEBELUM GUNA. Kegagalan mematuhi amaran dan arahan boleh menyebabkan kejutan elektrik, kebakaran dan/atau kecederaan serius.

1. Sebelum digunakan, pastikan yang pembersih ini mestilah digunakan oleh individu yang telah diberi arahan yang secukupnya tentang kegunaan pembersih ini.
2. Sebelum guna, pengendali hendaklah diberikan maklumat, arahan dan latihan untuk penggunaan mesin dan bahan yang akan digunakan, termasuk kaedah penyingkiran dan pelupusan bahan yang dikumpulkan.
3. Jangan gunakan pembersih ini tanpa penapis. Gantikan penapis yang rosak dengan serta-merta.
4. **ELAKKAN PERMULAAN YANG TIDAK DISENGAJAKAN.** Pastikan suis OFF apabila memasang bateri.
5. Jangan cuba untuk menyedut bahan mudah terbakar, bunga api, puntung rokok yang menyala, abu panas, serpihan logam panas, bahan tajam seperti pisau cukur, jarum, gelas yang pecah atau yang sama sepertinya.
6. **JANGAN SEKALI-KALI GUNAKAN PEMBERSIH DI SEKITAR GASOLIN, GAS, CAT, PEREKAT ATAU LAIN-LAIN BAHAN YANG SANGAT MUDAH MELETUP.** Suis menghasilkan percikan semasa ON dan OFF. Penukar tertib motor juga begitu semasa operasi. Letupan yang berbahaya mungkin berlaku.
7. Jangan sekali-kali menyedut bahan toksik, karsinogenik, bahan mudah terbakar atau berbahaya yang lain seperti asbestos, arsenik, barium, berilium, plumbum, racun serangga, atau bahan lain yang memudaratkan kesihatan.
8. Sentiasa letakkan pembersih di permukaan rata yang mendatar untuk mengelakkan pembersih daripada terjatuh atau bergerak secara tidak sengaja.
9. Jangan sekali-kali menggunakan pembersih di luar dalam hujan.
10. Untuk Finland, mesin ini tidak boleh digunakan di luar pada suhu rendah.
11. Jangan gunakan berhampiran dengan sumber haba (dapur dan sebagainya).
12. Jika udara ekzos kembali ke bilik, kadar perubahan udara yang mencukupi perlu diberikan di dalam bilik. Rujukan kepada peraturan Kebangsaan diperlukan.

13. Jangan halang sedutan salur masuk/ salur keluar/lohong penyejukan. Injap ini membenarkan penyejukan motor. Halangan harus dielakkan dengan berhati-hati jika tidak motor akan terbakar disebabkan kekurangan pengudaraan.
 14. Pastikan pijakan dan keseimbangan yang betul pada setiap masa.
 15. Jangan lipat, tarik atau pijak hos.
 16. Hentikan pembersih serta-merta jika anda mengesan prestasi yang lemah atau sesuatu yang tidak normal semasa operasi.
 17. **KELUARKAN BATERI.** Apabila tidak digunakan, sebelum melakukan servis, dan semasa menukar aksesori.
 18. Bersihkan dan servis pembersih serta-merta selepas setiap penggunaan untuk memastikan ia dalam keadaan operasi yang terbaik.
 19. **SELENGGARA PEMBERSIH DENGAN BERHATI-HATI.** Pastikan pembersih sentiasa bersih untuk prestasi yang lebih baik dan selamat. Ikuti arahan untuk menukar aksesori. Pastikan pemegang sentiasa kering, bersih dan bebas daripada minyak dan gris.
 20. **PERIKSA BAHAGIAN YANG ROSAK.** Sebelum menggunakan alat dengan lebih lanjut, pengadang atau bahagian lain yang rosak harus diperiksa dengan berhati-hati untuk menentukan yang ia akan beroperasi dengan betul dan berfungsi seperti yang dinyatakan. Periksa penjarangan bahagian yang bergerak, keterikatan bahagian yang bergerak, bahagian yang pecah, lekapan dan sebarang keadaan lain yang boleh menjejaskan operasinya. Pengadang atau bahagian lain yang rosak harus dibaiki dengan betul atau diganti oleh pusat servis sah melainkan sebaliknya dinyatakan di tempat lain dalam manual arahan ini. Gantikan suis yang rosak di pusat servis yang disahkan. Jangan gunakan pembersih jika suis tidak menghidupkan atau mematakannya.
 21. Untuk servis pengguna, mesin hendaklah ditanggalkan, dibersihkan dan diservis, setakat yang boleh dilakukan secara munasabah, tanpa menimbulkan risiko kepada kakitangan penyelenggaraan dan orang lain.
 22. Mesin harus diperiksa secara teknikal oleh pengeluar, atau orang yang diarahkan, sekurang-kurangnya setiap tahun, yang terdiri dari, contohnya, pemeriksaan penapis untuk kerosakan, ketegangan udara mesin dan fungsi mekanisme kawalan yang betul.
 23. Apabila menjalankan perkhidmatan atau operasi pembaikan, semua barangan yang tercemar yang tidak dapat dibersihkan secara memuaskan akan dilupuskan; barang-barang tersebut hendaklah dilupuskan dalam beg yang tidak tahan lama mengikut peraturan semasa untuk pembuangan sisa tersebut.
 24. **ALAT GANTIAN.** Semasa menservis, gunakan hanya alat gantian yang serupa.
 25. Apabila tidak digunakan, sentiasa simpan pembersih di dalam bangunan.
 26. Jaga pembersih anda dengan baik. Pengendalian yang kasar boleh menyebabkan retakan walaupun pada pembersih yang dibina dengan sangat kukuh.
 27. Jangan cuba untuk membersihkan bahagian luaran atau dalaman dengan benzin, pencair atau bahan pencuci kimia. Retakan dan perubahan warna boleh berlaku.
 28. Jangan gunakan pembersih di ruang tertutup tempat wap mudah terbakar, meletup dan toksik dibebaskan oleh cat berasaskan minyak, pencair cat, gasolin, dan sesetengah bahan tahan rama-rama dan sebagainya atau di kawasan wujudnya debu mudah terbakar.
 29. Jangan mengendalikan pembersih atau sebarang alat semasa di bawah pengaruh dadah atau alkohol.
 30. Sebagai peraturan asas keselamatan, gunakan gogal keselamatan atau cermin mata keselamatan dengan pelindung sisi.
 31. Gunakan topeng debu dalam keadaan kerja yang berdebu.
 32. Mesin ini tidak bertujuan untuk digunakan oleh individu termasuk kanak-kanak dengan kekurangan daya fizikal, deria atau mental, atau kekurangan pengetahuan dan pengalaman.
 33. Kanak-kanak harus diselia untuk memastikan mereka tidak bermain dengan pembersih ini.
 34. Jangan sekali-kali memegang bateri dan pembersih dengan tangan yang basah.
 35. Gunakan langkah yang lebih berhati-hati semasa membersihkan tangga.
 36. Jangan gunakan pembersih sebagai bangku atau bangku kerja. Mesin mungkin terjatuh dan boleh mengakibatkan kecederaan diri.
- Penggunaan dan penjagaan alat bateri**
1. **Cas semula dengan pengecas yang ditentukan oleh pengeluar sahaja.** Pengecas yang sesuai untuk satu jenis pek bateri mungkin menimbulkan risiko kebakaran apabila digunakan dengan pek bateri lain.
 2. **Gunakan alat kuasa dengan pek bateri yang ditentukan secara khusus sahaja.** Penggunaan mana-mana pek bateri lain mungkin menimbulkan risiko kecederaan dan kebakaran.
 3. **Apabila pek bateri tidak digunakan, jauhkan daripada objek logam lain, seperti klip kertas, duit syiling, kunci, paku, skru atau objek logam kecil lain, yang boleh membuat sambungan dari satu terminal ke terminal yang lain.** Memintas terminal bateri bersama-sama mungkin menyebabkan lecuran atau kebakaran.
 4. **Di bawah keadaan kasar, cecair mungkin dikeluarkan daripada bateri; elakkan sentuhan.** Jika tersentuh secara tidak sengaja, siram dengan air. Jika cecair terkena mata, dapatkan bantuan perubahan di samping siraman air. Cecair yang dikeluarkan dari bateri mungkin menyebabkan kegatalan atau lecuran.

5. **Jangan gunakan pek bateri atau alat yang rosak atau diubah suai.** Bateri yang rosak atau diubah suai mungkin menunjukkan perilaku yang tidak dijangka menyebabkan kebakaran, letupan atau risiko kecederaan.
6. **Jangan dedahkan pek bateri atau alat kepada api atau suhu yang berlebihan.** Pendedahan kepada api atau suhu melebihi 130 °C mungkin menyebabkan letupan.
7. **Ikut semua arahan pengecasan dan jangan cas pek bateri atau alat di luar julat suhu yang ditetapkan dalam arahan.** Mengecas dengan tidak betul atau pada suhu di luar julat yang dinyatakan mungkin merosakkan bateri dan meningkatkan risiko kebakaran.
8. **Jangan paku, potong, pecahkan, buang, jatuhkan kartrij bateri, atau tekan objek keras pada kartrij bateri.** Perbuatan sedemikian boleh mengakibatkan kebakaran, haba berlebihan, atau letupan.
9. **Jangan gunakan bateri yang rosak.**
10. **Bateri litium ion yang terkandung adalah tertakluk kepada keperluan Perundangan Barangan Berbahaya.** Bagi pengangkutan komersil cth. oleh pihak ketiga, ejen penghantar, keperluan khas pada pembungkusan dan pelabelan mestilah diperhatikan. Bagi persediaan item yang dihantar, berunding dengan pakar bahan berbahaya adalah diperlukan. Sila juga perhatikan sebolehnya peraturan kebangsaan yang lebih terperinci. Lekatkan atau balut bahagian terbuka dan pek bateri supaya ia tidak bergerak dalam pembungkusan.

SIMPAN ARAHAN INI.

⚠️AMARAN: JANGAN biarkan keselesaan atau kebiasaan dengan produk (diperoleh dari kegunaan berulang) menggantikan pematuhan ketat terhadap peraturan keselamatan untuk produk yang ditetapkan. SALAH GUNA atau kegagalan mematuhi peraturan-peraturan keselamatan yang dinyatakan dalam manual arahan ini boleh menyebabkan kecederaan diri yang serius.

Arahan keselamatan penting untuk kartrij bateri

1. **Sebelum menggunakan kartrij bateri, baca semua arahan dan tanda amaran pada (1) pengecas bateri, (2) bateri, dan (3) produk menggunakan bateri.**
2. **Jangan buka atau cabut kartrij bateri.** Ia boleh mengakibatkan kebakaran, haba berlebihan, atau letupan.
3. **Jika masa operasi menjadi sangat pendek, berhenti operasi serta merta.** Ia mungkin menyebabkan risiko pemanasan lampau, melecur bahkan letupan.
4. **Jika elektrolit masuk ke dalam mata anda, bilas mata dengan air jernih dan dapatkan rawatan perubatan serta merta.** Ia mungkin menyebabkan kehilangan penglihatan.
5. **Jangan pintaskan kartrij bateri:**
 - (1) **Jangan sentuh terminal dengan bahan berkonduksi.**
 - (2) **Elakkan menyimpan kartrij bateri dalam bekas bersama-sama objek besi lain seperti paku, duit syiling, dll.**
 - (3) **Jangan dedahkan kartrij bateri kepada air atau hujan.**

Pintasan bateri boleh menyebabkan aliran kuasa yang besar, pemanasan lampau, melecur dan juga kerosakan.
6. **Jangan simpan dan gunakan alat dan kartrij bateri di lokasi yang suhunya mungkin mencapai atau melebihi 50 °C (122 °F).**
7. **Jangan bakar kartrij bateri walaupun jika ia rosak teruk atau haus sepenuhnya.** Kartrij bateri boleh meletup dalam kebakaran.
11. **Apabila melupuskan kartrij bateri, keluarkan ia daripada alat dan lupuskan ia di tempat selamat.** Ikut peraturan tempatan anda mengenai pelupusan bateri.
12. **Gunakan bateri hanya dengan produk yang ditentukan oleh Makita.** Memasang bateri kepada produk yang tidak patuh mungkin menyebabkan kebakaran, pemanasan lampau, atau kebocoran elektrolit.
13. **Jika alat tidak digunakan untuk tempoh masa yang lama, bateri mesti dikeluarkan daripada alat.**
14. **Semasa dan selepas penggunaan, kartrij bateri mungkin ada haba yang boleh menyebabkan terbakar atau suhu rendah terbakar.** Beri perhatian kepada pengendalian kartrij bateri yang panas.
15. **Jangan sentuh terminal alat itu selepas digunakan kerana ia mungkin panas menyebabkan terbakar.**
16. **Jangan biarkan cip, habuk, atau tanah terperangkap ke dalam terminal, lubang, dan alur kartrij bateri.** Ia mungkin menyebabkan prestasi atau pecahan yang buruk dari alat atau kartrij bateri.
17. **Melainkan alat ini menyokong penggunaan yang hampir dari talian kuasa elektrik voltan tinggi, jangan gunakan kartrij bateri berhampiran talian kuasa elektrik voltan tinggi.** Ia mungkin menyebabkan kerosakan atau pecah pada alat atau kartrij bateri.
18. **Jauhkan bateri daripada kanak-kanak.**

SIMPAN ARAHAN INI.

⚠️PERHATIAN: Hanya gunakan bateri asli Makita. Penggunaan bateri tidak asli Makita, atau bateri yang telah diubah suai, mungkin menyebabkan bateri meletup menyebabkan kebakaran, kecederaan diri dan kerosakan. Ia juga membatalkan jaminan Makita untuk alat Makita dan pengecas.

Tip untuk mengekalkan hayat bateri maksimum

1. Cas kartrij bateri sebelum ternyahcas sepenuhnya. Sentiasa hentikan operasi alat dan cas kartrij bateri apabila anda menyedari kurang kuasa alat.
2. Jangan cas semula kartrij bateri yang dicas sepenuhnya. Terlebih cas memendekkan hayat servis bateri.
3. Cas kartrij bateri dengan suhu bilik pada 10 °C - 40 °C (50 °F - 104 °F). Biarkan kartrij bateri yang panas menyejuk sebelum mengecasnya.
4. Apabila tidak menggunakan kartrij bateri, tanggalkannya dari alat atau pengecas.
5. Cas kartrij bateri jika anda tidak gunakannya untuk tempoh yang lama (lebih daripada enam bulan).

Arahan keselamatan yang penting untuk unit tanpa wayar

1. Jangan leraikan atau menghentak dengan unit tanpa wayar.
2. Pastikan unit tanpa wayar jauh dari kanak-kanak. Jika ditelan dengan sengaja, dapatkan segera rawatan perubatan.
3. Guna unit tanpa wayar sahaja dengan alat Makita.
4. Jangan biarkan unit tanpa wayar terkena hujan atau keadaan basah.
5. Jangan gunakan unit tanpa wayar di tempat di mana suhu melebihi 50°C (122°F).
6. Jangan mengendalikan unit tanpa wayar di tempat alat perubatan, seperti pembuat langkah jantung yang berdekatan.
7. Jangan mengendalikan unit tanpa wayar di tempat di mana peranti automatik berada berdekatan. Jika dikendalikan, peranti automatik mungkin mengalami kerosakan atau ralat.
8. Jangan mengendalikan unit tanpa wayar di tempat bawah suhu tinggi atau tempat di mana elektrik statik atau bunyi elektrik yang boleh dijana.
9. Unit tanpa wayar boleh menghasilkan medan elektromagnet (EMF) tetapi tidak membahayakan kepada pengguna.
10. Unit tanpa wayar adalah alat yang tepat. Berhati-hati untuk tidak jatuhkan atau mengetuk unit tanpa wayar.
11. Elakkan menyentuh terminal unit tanpa wayar dengan tangan kosong atau bahan logam.
12. Sentiasa keluarkan bateri pada produk apabila memasang unit tanpa wayar ke dalamnya.
13. Apabila membuka penutup slot, elakkan tempat di mana habuk dan air boleh masuk ke dalam slot. Sentiasa pastikan slot salur masuk bersih.
14. Sentiasa masukkan unit tanpa wayar ke arah yang betul.
15. Jangan tekan butang pengaktifan pada unit tanpa wayar terlalu kuat dan/atau tekan butang dengan objek dengan sisi tajam.

16. Sentiasa tutup penutup slot semasa beroperasi.
17. Jangan keluarkan unit tanpa wayar dari slot semasa kuasa sedang dibekalkan ke alat itu. Berbuat demikian boleh menyebabkan kerosakan pada unit tanpa wayar.
18. Jangan keluarkan pelekat pada unit tanpa wayar.
19. Jangan letak sebarang pelekat pada unit tanpa wayar.
20. Jangan tinggalkan unit tanpa wayar di tempat bawah suhu tinggi atau tempat di mana elektrik statik atau bunyi elektrik yang boleh dijana.
21. Jangan biarkan unit tanpa wayar di tempat yang subjek kepada haba yang tinggi, seperti kereta yang duduk di bawah sinar matahari.
22. Jangan biarkan unit tanpa wayar di tempat yang berdebu atau serbuk atau di tempat menghakis gas yang boleh dijana.
23. Perubahan suhu yang mendadak mungkin merosakkan unit tanpa wayar. Jangan gunakan unit tanpa wayar sehingga embun selesai sepenuhnya.
24. Apabila membersihkan unit tanpa wayar, perlahan-lahan lap dengan kain lembut yang kering. Jangan gunakan benzoin, nipis, gris konduktif atau sebagainya.
25. Apabila menyimpan unit tanpa wayar, simpan bekas yang dibekalkan atau bekas statik percuma.
26. Jangan masukkan sebarang peranti selain unit tanpa wayar Makita ke dalam slot pada alat itu.
27. Jangan gunakan alat dengan tudung slot yang rosak. Air, habuk, dan kotoran yang masuk ke dalam slot boleh menyebabkan kerosakan.
28. Jangan tarik dan/atau memutar tudung slot lebih daripada perlu. Pulihkan tudung jika ia keluar dari alat.
29. Gantikan tudung slot jika ia hilang atau rosak.

SIMPAN ARAHAN INI.

KETERANGAN BAHAGIAN

- **Rajah1:** 1. Penutup tangki 2. Penapis serbuk (HEPA) 3. Peredam 4. Penapis awal 5. Tangki

KETERANGAN FUNGSI

⚠️ PERHATIAN: Sentiasa pastikan alat dimatikan dan kartrij bateri dikeluarkan sebelum menyelaraskan atau menyemak fungsi pada alat.

Memasang atau mengeluarkan kartrij bateri

⚠️ PERHATIAN: Sentiasa matikan alat sebelum memasang atau mengeluarkan kartrij bateri.

⚠️ PERHATIAN: Pegang pembersih dan kartrij bateri dengan kukuh apabila memasang atau mengeluarkan kartrij bateri. Kegagalan untuk memegang pembersih dan kartrij bateri dengan kukuh boleh menyebabkan ia terlepas daripada tangan anda dan mengakibatkan kerosakan kepada pembersih dan kartrij bateri serta kecederaan diri.

⚠️ PERHATIAN: Berhati-hati supaya tidak terkepit jari anda semasa membuka atau menutup penutup bateri. Gagal berbuat demikian boleh menyebabkan kecederaan peribadi.

Untuk memasang kartrij bateri, lepaskan kunci dahulu, dan kemudian buka penutup bateri. Kemudian, masukkan kartrij bateri.

► **Rajah2:** 1. Kunci 2. Penutup bateri

Sejajarkan lidah pada kartrij bateri dengan alur pada perumah dan selitkan ia ke tempatnya. Masukkan ia sepenuhnya sehingga ia terkunci di tempatnya dengan klik kecil. Kemudian, kunci penutup bateri.

► **Rajah3:** 1. Kartrij bateri

Untuk mengeluarkan kartrij bateri, luncurkan ia dari alat semasa meluncurkan butang di hadapan kartrij.

⚠️ PERHATIAN: Sentiasa pasang kartrij bateri sepenuhnya sehingga penunjuk merah tidak boleh dilihat. Jika tidak, ia mungkin jatuh daripada pembersih, menyebabkan kecederaan kepada anda atau seseorang di sekeliling anda.

⚠️ PERHATIAN: Jangan pasang kartrij bateri secara paksa. Jika kartrij tidak meluncur dengan mudah, ia tidak dimasukkan dengan betul.

NOTA: Pembersih tidak berfungsi dengan hanya satu kartrij bateri.

Menunjukkan kapasiti bateri yang tinggal

Hanya untuk kartrij bateri dengan penunjuk

► **Rajah4:** 1. Lampu penunjuk 2. Butang semak

Tekan butang semak pada kartrij bateri untuk menunjukkan kapasiti bateri yang tinggal. Lampu penunjuk menyala untuk beberapa saat.

Lampu penunjuk			Kapasiti yang tinggal
Dinyalakan	Mati	Berkelip	
			75% hingga 100%
			50% hingga 75%
			25% hingga 50%
			0% hingga 25%
			Cas bateri.
			Bateri mungkin telah rosak.

NOTA: Bergantung kepada keadaan penggunaan dan suhu persekitaran, penunjuk mungkin berbeza sedikit daripada kapasiti sebenar.

NOTA: Lampu penunjuk (kiri jauh) pertama akan berkedip apabila sistem perlindungan bateri berfungsi.

Menunjukkan kapasiti bateri yang tinggal

► **Rajah5:** 1. Penunjuk bateri 2. Butang semak

► **Rajah6**

Tekan butang semak untuk menunjukkan kapasiti bateri yang tinggal. Penunjuk bateri sepadan dengan setiap bateri.

Status penunjuk bateri			Kapasiti bateri yang tinggal
Hidup	Mati	Berkelip	
			50% hingga 100%
			20% hingga 50%
			0% hingga 20%
			Cas bateri

NOTA: Semasa pembersih dihidupkan dengan suis tunggu sedia yang ditetapkan kepada "AUTO", penunjuk bateri tidak berfungsi.

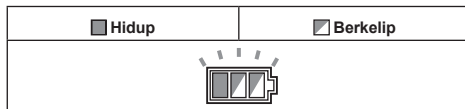
Sistem perlindungan alat / bateri

Alat dilengkapi dengan sistem perlindungan alat/bateri. Sistem ini memotong kuasa kepada motor secara automatik untuk memanjangkan hayat alat dan bateri. Alat akan berhenti secara automatik ketika operasi jika alat atau bateri diletakkan di bawah salah satu syarat yang berikut:

Perlindungan lebih beban

Apabila alat beroperasi dengan cara yang menyebabkan ia menarik arus tinggi yang luar biasa, alat secara automatik terhenti tanpa sebarang penunjuk. Dalam situasi ini, matikan alat dan hentikan penggunaan yang menyebabkan alat menjadi terlebih beban. Kemudian hidupkan alat untuk mula semula.

Perlindungan pemanasan lampau



Apabila alat terlampau panas, alat berhenti secara automatik dan penunjuk bateri berkecip selama lebih kurang 60 saat. Dalam situasi ini, biarkan alat sejuk sebelum menghidupkan semula alat.

Perlindungan lebih nyahcas

Apabila kapasiti bateri menjadi rendah, alat akan berhenti secara automatik. Jika produk tidak beroperasi walaupun suis telah dioperasikan, keluarkan bateri daripada alat dan cas bateri.

Tindakan suis

- **Rajah7:** 1. Suis tunggu sedia 2. Butang kuasa 3. Tombol pelaras daya sedutan



Untuk memulakan pembersih:

1. Tetapkan suis tunggu sedia pada sisi "I". Pembersih berada dalam keadaan tunggu sedia.
2. Tekan butang kuasa.

Untuk menjadikan pembersih berada dalam mod tunggu sedia, tekan butang kuasa semula.

Untuk mematickan pembersih, tetapkan suis tunggu sedia pada sisi "O".

Kuasa sedutan boleh dilaraskan mengikut keperluan kerja anda.

Kuasa sedutan boleh ditingkatkan dengan memutar tombol pelaras daya sedutan daripada simbol  ke simbol .

NOTIS: Sentiasa tetapkan suis tunggu sedia pada sisi "O" apabila tidak menggunakan pembersih untuk jangka masa yang lama. Pembersih menggunakan kuasa semasa keadaan tunggu sedia.

Mengunci dan membuka kunci lereng-lereng

- **Rajah8:** 1. Lereng-lereng 2. Tuil penahan 3. Kedudukan BEBAS 4. Kedudukan KUNCI

Mengunci lereng-lereng memudahkan penyimpanan pembersih, memberhentikan kerja semasa ia berjalan dan mengekalkan pembersih dalam keadaan pegun. Untuk mengendalikan penahan, gerakkan ia dengan tangan.

Untuk mengunci lereng-lereng dengan penahan, rendahkan tuil penahan dan lereng-lereng tidak lagi akan berputar. Untuk melepaskan lereng-lereng daripada posisi terkunci, naikkan tuil penahan.

NOTA: Semasa menggerakkan pembersih, pastikan bahawa lereng-lereng tidak dikunci. Menggerakkan pembersih dengan lereng-lereng pada kedudukan terkunci boleh menyebabkan kerosakan kepada lereng-lereng.

Pemegang pembawa

Semasa membawa pembersih, bawa ia dengan memegang pada pemegang pada kepala. Pemegang boleh dilipat pada kepala apabila tidak digunakan.

- **Rajah9**

PEMASANGAN

PERHATIAN: Sentiasa pastikan alat dimatikan dan kartrij bateri dikeluarkan sebelum menjalankan sebarang kerja pada alat.

PERHATIAN: Sentiasa pakai topeng debu semasa pemasangan atau penyelenggaraan.

Memasang penapis serbuk (HEPA) dan penapis awal (untuk debu kering)

PERHATIAN: Jangan sekali-kali menyedut air atau cecair lain atau debu basah semasa menggunakan penapis serbuk. Menyedut benda sedemikian boleh menyebabkan kebocoran penapis serbuk.

Untuk menggunakan penapis serbuk:

1. Letakkan pra penapis dalam tangki sambil menyelaraskan tanda kedudukan pelepas.
 2. Lepak peredam pada penapis serbuk dan kemudian letakkannya di pra penapis sambil menyelaraskan tanda kedudukan pelepas.
 3. Lekapkan penutup tangki dan kuncikannya.
- **Rajah10:** 1. Penutup tangki 2. Penapis serbuk (HEPA) 3. Peredam 4. Penapis awal 5. Tangki 6. Penandaan kedudukan pelepas

NOTIS: Sebelum menggunakan penapis serbuk, pastikan pra penapis dan peredam sentiasa digunakan bersama. Tidak dibenarkan untuk memasang penapis serbuk semata-mata.

Memasang pek kertas

Aksesori pilihan

AMARAN: Semasa menggunakan pek kertas, gunakan penapis awal bersama yang di prapasang pada alat. Kegagalan untuk menggunakan penapis awal bersama-sama boleh menyebabkan hingar dan haba luar biasa, yang boleh mengakibatkan kebakaran.

PERHATIAN: Sebelum menggunakan pek kertas, pastikan bahawa penapis serbuk, peredam dan penapis awal sentiasa digunakan bersama-sama.

1. Panjangkan pek kertas.
 2. Sejajarkan bukaan pek kertas dengan bukaan penyedut habuk pembersih.
 3. Masukkan kadbod pek kertas ke dalam pemegang supaya ia berada di hujung melepasi tonjolan penahan.
- **Rajah11:** 1. Pek kertas 2. Pemegang

Memasang beg polietilena

Pembersih juga boleh digunakan tanpa beg polietilena. Walau bagaimanapun, penggunaan beg polietilena memudahkan pengosongan tangki tanpa mengotorkan tangan anda.

Hamparkan beg polietilena ke dalam tangki. Sisipkan ia di antara plat pemegang dan tangki, dan tariknya ke salur masuk hos.

► **Rajah12:** 1. Plat pemegang 2. Beg polietilena

Hamparkan beg di sekeliling bahagian atas tangki supaya bucu penapis awal boleh memegang dan menahan beg dengan kukuh.

► **Rajah13:** 1. Penapis awal

NOTA: Beg polietilena yang boleh didapati di pasaran boleh digunakan. Ketebalan 0.04 mm atau lebih adalah disarankan.

NOTA: Debu yang terlalu banyak boleh mengoyakkan beg dengan mudah, jadi, jangan kumpul debu lebih daripada separuh kapasiti beg.

Mengosongkan beg polietilena

AMARAN: Sentiasa memastikan pembersih dimatikan dan kartrij bateri dikeluarkan sebelum mengosongkan beg polietilena. Kegagalan berbuat demikian boleh menyebabkan kejutan elektrik dan kecederaan diri yang serius.

PERHATIAN: Jangan kenakan impak yang besar pada tangki. Impak yang kuat boleh menyebabkan perubahan bentuk dan merosakkan bahagian.

PERHATIAN: Kosongkan tangki sekurang-kurangnya sehari sekali walaupun ini bergantung kepada isi padu debu yang disedut dalam tangki. Atau, daya sedutan akan lemah dan motor boleh rosak.

PERHATIAN: Jangan sentap cangkuk semasa mengosongkan tangki. Menyentap cangkuk boleh menyebabkan cangkuk patah.

Cabut cangkuk dan angkat penutup tangki. Goncang debu daripada penapis awal dan kemudian keluarkan beg polietilena dari tangki.

► **Rajah14**

NOTA: Keluarkan beg polietilena dengan berhati-hati dari tangki supaya beg polietilena tidak tersangkut dan terkoyak oleh tonjolan di dalam tangki semasa dikosongkan.

NOTA: Kosongkan beg polietilena sebelum ia penuh. Terlalu banyak debu di dalam tangki boleh menyebabkan beg polietilena terkoyak.

Memasang kotak alat

1. Lepaskan kunci penutup bateri dan buka penutup bateri.
 2. Tetapkan rel pada kotak alat di sepanjang alur pada perumahan.
 3. Tutup penutup bateri dan pasang kunci.
- **Rajah15**

Kotak alat memudahkan untuk membawa bateri, paip, atau kaf.

► **Rajah16**

Menyambungkan hos

NOTIS: Jangan sekali-kali paksa hos dengan membengkok atau menghentaknya. Jangan sekali-kali menggerakkan pembersih dengan hos. Memaksa, menghentak dan menarik hos boleh menyebabkan hos pecah atau berubah bentuk.

NOTIS: Semasa menyedut sisa yang besar seperti ukiran pengetam, debu konkrit atau yang serupa selain sisa kecil, gunakan hos berdiameter dalam 38 mm (aksesori pilihan). Menggunakan hos berdiameter dalam 28 mm (aksesori pilihan) boleh menyebabkan sumbatan dan kerosakan hos.

Masukkan hos ke dalam port pelekap tangki dan pusingkan ia mengikut arah jam sehingga ia terkunci.

► **Rajah17**

Menyambung lampiran dengan fungsi kunci

Aksesori pilihan

Masukkan lampiran ke salur masuk sedutan sehingga ia klik.

Untuk mengeluarkan, tarik sambunagn sambil menolak butang pelepas.

- **Rajah18:** 1. Salur masuk sedutan dengan fungsi kunci 2. Butang pelepas 3. Lampiran dengan fungsi kunci

NOTA: Lampiran dengan fungsi kunci tersedia apabila menggunakan salur masuk sedutan dengan fungsi kunci.

- **Rajah19:** 1. Lampiran dengan fungsi kunci 2. Salur masuk sedutan dengan fungsi kunci 3. Salur masuk sedutan tanpa fungsi kunci

Melaraskan panjang luncur-jenis sambungan tongkat

Aksesori pilihan

Dengan menekan butang luncur, laraskan panjang tongkat. Panjang dikunci apabila melepaskan butang luncur.

- **Rajah20:** 1. Butang luncur

FUNGSI PENGAKTIFAN TANPA WAYAR

Apa yang boleh anda lakukan dengan fungsi pengaktifan tanpa wayar

Fungsi pengaktifan tanpa wayar membolehkan operasi yang bersih dan selesa. Dengan menyambungkan alat yang disokong kepada pembersih, anda boleh menjalankan pembersih secara automatik bersama dengan operasi suis alat tersebut.

- **Rajah21**

NOTIS: Pastikan rujuk kepada manual arahan alat apabila menggunakan pembersih dengan fungsi pengaktifan tanpa wayar.

NOTIS: Jangan leraikan atau menghentak dengan unit tanpa wayar.

NOTIS: Untuk mengelakkan habuk masuk ke dalam slot unit tanpa wayar, sentiasa tutup dengan selamat semasa operasi dan penyimpanan.

NOTIS: Jangan keluarkan unit tanpa wayar semasa kuasa sedang dibekalkan ke alat itu. Berbuat demikian boleh menyebabkan kerosakan pada unit tanpa wayar.

NOTIS: Jangan tekan butang pengaktifan tanpa wayar terlalu kuat dan/atau tekan butang dengan objek dengan sisi tajam.

NOTA: Pengaktifan tanpa wayar memerlukan alat Makita dilengkapi dengan unit tanpa wayar.

NOTA: Sebelum penggunaan awal fungsi pengaktifan tanpa wayar dengan setiap alat, pelarasan alat diperlukan. Sebaik sahaja pelarasan selesai dengan alat, pelarasan semula tidak diperlukan melainkan dibatalkan.

NOTA: Sebelum pelarasan, pastikan unit tanpa wayar dipasang dengan betul.

NOTA: Satu unit tanpa wayar boleh dipadankan sehingga 10 pautan dengan unit tanpa wayar yang lain. Jika lebih daripada 10 unit tanpa wayar yang lain dipadankan kepada satu unit tanpa wayar, satu yang dipadankan yang terawal akan dibatalkan secara automatik.

NOTA: Kedudukan butang pengaktifan tanpa wayar berbeza bergantung pada alat.

NOTA: Pembersih juga bermula dengan menekan butang kuasa apabila suis tunggu sedia ditetapkan kepada "AUTO". Tetapi butang kuasa tidak akan berfungsi apabila fungsi pengaktifan tanpa wayar digunakan.

Memasang unit tanpa wayar

PERHATIAN: Letakkan pembersih pada permukaan yang rata dan stabil apabila memasang unit tanpa wayar.

NOTIS: Membersihkan debu dan kotoran pada pembersih sebelum memasang unit tanpa wayar. Debu atau kotoran boleh menyebabkan kerosakan jika ia masuk ke dalam slot unit tanpa wayar.

NOTIS: Untuk mengelakkan kerosakan yang disebabkan oleh statik, sentuh bahan pelepas statik, seperti bahagian logam, sebelum mengambil unit tanpa wayar.

NOTIS: Apabila memasang unit tanpa wayar, pastikan unit tanpa wayar dimasukkan ke dalam arah yang betul dan penutup ditutup sepenuhnya.

1. Membuka penutup pada pembersih seperti yang ditunjukkan pada gambar.

- **Rajah22:** 1. Penutup

2. Masukkan unit tanpa wayar ke slot dan tutup penutup.

Apabila memasukkan unit tanpa wayar, sejajarkan unjuran dengan bahagian-bahagian berlekuk pada slot.

- **Rajah23:** 1. Unit tanpa wayar 2. Unjuran 3. Penutup 4. Bahagian berlekuk

Apabila mengeluarkan unit tanpa wayar, buka penutup perlahan-lahan. Cangkuk pada bahagian belakang penutup akan mengangkut unit tanpa wayar semasa anda menarik penutup.

- **Rajah24:** 1. Unit tanpa wayar 2. Cangkuk 3. Penutup

Apabila mengeluarkan unit tanpa wayar, simpan bekas yang dibekalkan atau bekas bebas statik.

NOTIS: Sentiasa menggunakan cangkuk di bahagian belakang penutup apabila mengeluarkan unit tanpa wayar. Jika cangkuk tidak mencapai unit tanpa wayar, tutup penutup sepenuhnya dan buka dengan perlahan sekali lagi.

Pelarasan alat untuk pembersih

NOTA: Alat Makita yang menyokong fungsi pengaktifan tanpa wayar diperlukan untuk pelarasan alat.

NOTA: Selesaikan memasang unit tanpa wayar kepada alat sebelum memulakan pelarasan alat.

NOTA: Semasa pelarasan alat, jangan tarik pemacu suis pada alat atau hidupkan suis kuasa pada pembersih.

NOTA: Rujuk kepada manual arahan alat itu juga.

Jika anda ingin mengaktifkan pembersih bersama dengan operasi suis alat itu, selesaikan pelarasan alat terlebih dahulu.

1. Pasang unit tanpa wayar kepada pembersih dan alat masing-masing.
2. Pasang bateri kepada pembersih dan alat itu.
3. Tetapkan suis tunggu sedia pada pembersih kepada "AUTO".
► **Rajah25:** 1. Suis tunggu sedia
4. Tekan butang pengaktifan tanpa wayar pada pembersih selama 3 saat sehingga lampu pengaktifan tanpa wayar berkelip hijau. Dan kemudian tekan butang pengaktifan tanpa wayar pada alat dengan cara yang sama.
► **Rajah26:** 1. Butang pengaktifan tanpa wayar 2. Lampu pengaktifan tanpa wayar

Jika pembersih dan alat tersebut berjaya dihubungkan, lampu pengaktifan tanpa wayar akan menyala hijau selama 2 saat dan mula berkelip biru.

NOTA: Lampu pengaktifan tanpa wayar selesai berkelip dalam warna hijau selepas 20 saat berlalu. Tekan butang pengaktifan tanpa wayar pada alat semasa lampu pengaktifan tanpa wayar pada pembersih berkelip. Jika lampu pengaktifan tanpa wayar tidak berkelip hijau, tolak butang pengaktifan tanpa wayar sekejap dan tahannya lagi.

NOTA: Apabila melakukan dua atau lebih alat pelarasan untuk pembersih, selesaikan pelarasan alat satu demi satu.

Memulakan fungsi pengaktifan tanpa wayar

NOTA: Selesaikan pelarasan alat untuk pembersih bagi pengaktifan tanpa wayar.

NOTA: Sentiasa meletakkan pembersih agar anda dapat melihat status lampu pengaktifan tanpa wayar.

NOTA: Rujuk kepada manual arahan alat itu juga.

Selepas memadamkan alat kepada pembersih, pembersih akan berfungsi secara automatik bersama dengan operasi suis alat tersebut.

1. Pasang unit tanpa wayar kepada pembersih dan alat masing-masing.
2. Pasang bateri kepada pembersih dan alat itu.
3. Sambungkan hos pembersih dengan alat.

► **Rajah27**

4. Tetapkan suis tunggu sedia pada pembersih kepada "AUTO".

► **Rajah28:** 1. Suis tunggu sedia

5. Tolak butang pengaktifan tanpa wayar kepada alat dengan sekejap. Lampu pengaktifan tanpa wayar akan berkelip dalam warna biru.

► **Rajah29:** 1. Butang pengaktifan tanpa wayar 2. Lampu pengaktifan tanpa wayar

6. Tarik alat pemacu suis. Periksa jika pembersih berjalan semasa pemacu suis pada alat sedang ditarik.

PERHATIAN: Sentiasa periksa jika fungsi pengaktifan tanpa wayar berfungsi sebelum memulakan kerja dengan alat.

Untuk menghentikan pengaktifan tanpa wayar, tolak butang pengaktifan tanpa wayar pada alat, atau tetapkan suis tunggu sedia pada pembersih kepada "I" atau "O".

NOTA: Lampu pengaktifan tanpa wayar pada alat akan berhenti berkelip dalam warna biru apabila tidak ada operasi selama 2 jam. Dalam kes ini, tetapkan suis tunggu sedia pada pembersih kepada "AUTO" dan tekan butang pengaktifan tanpa wayar pada alat itu lagi.

NOTA: Pembersih mula/berhenti dengan lambat. Terdapat penundaan ketika pembersih mengesan operasi suis pada alat.

NOTA: Jarak penghantaran unit tanpa wayar mungkin berbeza-beza bergantung kepada lokasi dan keadaan sekitarnya.

NOTA: Apabila dua atau lebih alat dipadankan kepada satu pembersih, pembersih mungkin akan mula berjalan walaupun jika anda tidak menarik pemacu suis kerana pengguna lain menggunakan fungsi pengaktifan tanpa.

Membatalkan pelarasan alat untuk pembersih

Melaksanakan prosedur berikut apabila membatalkan pelarasan alat pembersih.

1. Pasang unit tanpa wayar kepada pembersih dan alat masing-masing.
2. Pasang bateri kepada pembersih dan alat itu.
3. Tetapkan suis tunggu sedia pada pembersih kepada "AUTO".

► **Rajah30:** 1. Suis tunggu sedia

4. Tekan butang pengaktifan tanpa wayar pada pembersih selama 6 saat. Lampu pengaktifan tanpa wayar berkelip hijau dan kemudian menjadi merah. Selepas itu, tekan butang pengaktifan tanpa wayar pada alat dengan cara yang sama.

► **Rajah31:** 1. Butang pengaktifan tanpa wayar
2. Lampu pengaktifan tanpa wayar

Jika pemadaman dilakukan dengan jayanya, lampu pengaktifan tanpa wayar akan menyala merah selama 2 saat dan mula berkelip biru.

NOTA: Lampu pengaktifan tanpa wayar selesai berkelip dalam warna merah selepas 20 saat berlalu. Tekan butang pengaktifan tanpa wayar pada alat semasa lampu pengaktifan tanpa wayar pada pembersih berkelip. Jika lampu pengaktifan tanpa wayar tidak berkelip merah, tolak butang pengaktifan tanpa wayar sekejap dan tahan lagi.

Memadamkan semua pelarasan alat

Anda boleh memadam semua pelarasan alat dari pembersih seperti berikut.

► **Rajah32:** 1. Suis tunggu sedia 2. Butang pengaktifan tanpa wayar 3. Lampu pengaktifan tanpa wayar









1. Pasang unit tanpa wayar kepada pembersih.
2. Pasang bateri kepada pembersih.
3. Tetapkan suis tunggu sedia kepada "AUTO".
4. Tahan butang pengaktifan tanpa wayar selama kira-kira 6 saat sehingga lampu pengaktifan tanpa wayar berkelip merah (kira-kira dua kali satu saat).
5. Apabila lampu pengaktifan tanpa wayar mula berkelip dengan warna merah, lepaskan jari anda dari butang pengaktifan tanpa wayar. Selepas itu, tahan butang pengaktifan tanpa wayar sekali lagi selama 6 saat.
6. Apabila lampu pengaktifan tanpa wayar mula berkelip cepat (kira-kira 5 kali setiap saat) warna merah, lepaskan jari anda dari butang pengaktifan tanpa wayar. Apabila lampu pengaktifan tanpa wayar menyala merah dan kemudian menyala off, semua pelarasan alat dipadamkan.

NOTA: Jika lampu pengaktifan tanpa wayar tidak berkelip merah, tolak butang pengaktifan tanpa wayar sekejap dan cuba lagi.

Penerangan status lampu pengaktifan tanpa wayar

- **Rajah33:** 1. Butang pengaktifan tanpa wayar
2. Lampu pengaktifan tanpa wayar

Lampu pengaktifan tanpa wayar menunjukkan status fungsi pengaktifan tanpa wayar. Rujuk jadual di bawah adalah maksud status lampu.

Status	Lampu pengaktifan tanpa wayar				Penerangan
	Warna	 Hidup	 Berkelip	Tempoh (anggaran)	
Tunggu sedia	Biru			Pembersih: Atal berterusan: 2 jam	Menunggu pelarasan alat atau fungsi pengaktifan tanpa wayar tersedia. Lampu pada pembersih berkelip apabila suis tunggu sedia ditetapkan di AUTO. Lampu pada alat itu berkelip apabila butang pengaktifan tanpa wayar ditolak. Lampu pada alat akan dimatikan secara automatik apabila tiada operasi dijalankan selama 2 jam.
				Apabila alat sedang berjalan.	Pengaktifan tanpa wayar pembersih tersedia dan alat sedang berjalan.
Pelarasan alat	Hijau			20 saat	Bersedia untuk pelarasan alat. Mencari alat untuk dilaraskan.
				2 saat	Pelarasan alat telah selesai. Lampu pengaktifan tanpa wayar akan mula berkelip dalam warna biru.
Membatalkan/ memadam pelarasan alat	Merah			20 saat	Sedia untuk pembatalan pelarasan alat. Mencari alat untuk dibatalkan.
				Apabila butang pengaktifan tanpa wayar ditekan ke bawah.	Bersedia untuk memadam semua pelarasan alat.
				2 saat	Pelarasan alat telah dibatalkan/dipadam. Lampu pengaktifan tanpa wayar akan mula berkelip dalam warna biru.
Lain-lain	Merah			3 saat	Kuasa dibekalkan kepada unit tanpa wayar dan fungsi pengaktifan tanpa wayar dimulakan.
	Mati	-		-	Suis tunggu sedia tidak di set kepada "AUTO".

Pencarisilapan untuk fungsi pengaktifan tanpa wayar

Sebelum meminta pembaikan, jalankan pemeriksaan sendiri terlebih dahulu. Jika anda mendapati masalah tidak diterangkan dalam manual, jangan cuba untuk menanggalkan alat. Sebaliknya, tanya Pusat Servis Sah Makita, sentiasa gunakan alat ganti Makita untuk pembaikan.

Keadaan keabnormalan	Sebab yang mungkin (kerosakan)	Remedi
Lampu pengaktifan tanpa wayar tidak menyala/berkelip.	Unit tanpa wayar tidak dipasang kepada pembersih dan/atau alat itu. Unit tanpa wayar dipasang secara tidak betul ke dalam pembersih dan/atau alat itu.	Memasang unit tanpa wayar dengan betul.
	Terminal unit tanpa wayar dan/atau slot adalah kotor.	Perlahan-lahan mengelap habuk dan kotoran pada terminal unit tanpa wayar dan membersihkan slot daripada pembersih dan/atau alat.
	Butang pengaktifan tanpa wayar pada alat tidak ditolak.	Tolak butang pengaktifan tanpa wayar kepada alat dengan sekejap.
	Suis tunggu sedia pada pembersih tidak di set kepada "AUTO".	Tetapkan suis tunggu sedia pada pembersih kepada "AUTO".
	Tiada bekalan kuasa	Berikan kuasa kepada alat dan pembersih.
Tidak dapat menyelesaikan pelarasan alat / pelarasan pembatalan alat dengan jayanya.	Unit tanpa wayar tidak dipasang kepada pembersih dan/atau alat itu. Unit tanpa wayar tidak dipasang dengan betul kepada pembersih dan/atau alat itu.	Memasang unit tanpa wayar dengan betul.
	Terminal unit tanpa wayar dan/atau slot adalah kotor.	Perlahan-lahan mengelap habuk dan kotoran pada terminal unit tanpa wayar dan membersihkan slot daripada pembersih dan/atau alat.
	Suis tunggu sedia pada pembersih tidak di set kepada "AUTO".	Tetapkan suis tunggu sedia pada pembersih kepada "AUTO".
	Tiada bekalan kuasa	Berikan kuasa kepada alat dan pembersih.
	Operasi yang tidak betul	Tekan butang pengaktifan tanpa wayar sekejap dan lakukan prosedur pelarasan/pembatalan alat sekali lagi.
	Alat dan bersih berada jauh antara satu sama lain (di luar julat penghantaran).	Dapatkan alat dan pembersih lebih rapat antara satu sama lain. Jarak penghantaran maksimum adalah kira-kira 10 m namun ia mungkin berbeza-beza mengikut keadaan.
	Sebelum menyelesaikan pelarasan alat/pembatalan; - pemicu suis pada alat ditarik atau; - butang kuasa pada pembersih dihidupkan.	Tekan butang pengaktifan tanpa wayar sekejap dan lakukan prosedur pelarasan/pembatalan alat sekali lagi.
	Prosedur pendaftaran untuk alat atau pembersih belum selesai.	Lakukan prosedur pelarasan untuk alat dan pembersih pada masa yang sama.
Gangguan radio oleh peralatan lain menghasilkan gelombang radio intensiti yang tinggi.	Pastikan alat dan pembersih jauh dari peralatan seperti peranti Wi-Fi dan ketuhar gelombang mikro.	

Keadaan keabnormalan	Sebab yang mungkin (kerosakan)	Remedi
Pembersih tidak berjalan bersama dengan alat suis operasi itu.	Unit tanpa wayar tidak dipasang kepada pembersih dan/atau alat itu. Unit tanpa wayar dipasang secara tidak betul ke dalam pembersih dan/atau alat itu.	Memasang unit tanpa wayar dengan betul.
	Terminal unit tanpa wayar dan/atau slot adalah kotor.	Perlahan-lahan mengelap habuk dan kotoran pada terminal unit tanpa wayar dan membersihkan slot daripada pembersih dan/atau alat.
	Butang pengaktifan tanpa wayar pada alat tidak ditolak.	Tekan butang pengaktifan tanpa wayar sekejap dan pastikan lampu pengaktifan tanpa wayar berkelip biru.
	Suis tunggu sedia pada pembersih tidak di set kepada "AUTO".	Tetapkan suis tunggu sedia pada pembersih kepada "AUTO".
	Lebih daripada 10 alat dilaraskan kepada pembersih.	Lakukan pelarasan pada alat sekali lagi. Jika lebih daripada 10 alat dilaraskan kepada pembersih, alat yang dilaraskan paling awal akan dibatalkan secara automatik.
	Semua pelarasan alat pembersih dipadamkan .	Lakukan pelarasan alat sekali lagi.
	Tiada bekalan kuasa	Berikan kuasa kepada alat dan pembersih.
	Alat dan bersih berada jauh antara satu sama lain (di luar julat penghantaran).	Dapatkan alat dan pembersih lebih rapat antara satu sama lain. Jarak penghantaran maksimum adalah kira-kira 10 m namun ia mungkin berbeza-beza mengikut keadaan.
	Gangguan radio oleh peralatan lain menghasilkan gelombang radio intensiti yang tinggi.	Pastikan alat dan pembersih jauh dari peralatan seperti peranti Wi-Fi dan ketuhar gelombang mikro.
Pembersih berjalan sementara pencetus suis pemicu alat tidak ditarik.	Pengguna lain menggunakan pembersih pengaktifan tanpa wayar dengan alat mereka.	Mematikan butang pengaktifan tanpa wayar pada alat yang lain atau membatalkan pelarasan alat yang lain.
Tidak dapat memadam semua pelarasan alat dalam pembersih.	Menolak butang tanpa wayar kepada alat.	Tekan butang tanpa wayar pada pembersih untuk memadam semua pelarasan alat.
	Suis tunggu sedia pada pembersih tidak di set kepada "AUTO".	Tetapkan suis tunggu sedia pada pembersih kepada "AUTO".
	Butang pengaktifan tanpa wayar tidak ditekan dengan betul.	Tahan butang pengaktifan tanpa wayar lebih daripada 6 saat dan kemudian lepaskan apabila lampu pengaktifan berkelip merah. Tahan butang pengaktifan tanpa wayar lebih dari 6 saat sekali lagi sehingga butang pengaktifan tanpa wayar cepat berkelip merah dan kemudian lepaskan butang.

PENYELENGGARAAN

⚠️ PERHATIAN: Sentiasa pastikan alat dimatikan dan kartrij bateri dikeluarkan sebelum cuba menjalankan pemeriksaan atau penyelenggaraan.

NOTIS: Jangan gunakan petrol, benzin, pencair, alkohol atau bahan yang serupa. Ia boleh menyebabkan perubahan warna, bentuk atau keretakan.

Untuk mengekalkan KESELAMATAN dan KEBOLEHPERCAYAAN produk, pembaikan, apa-apa penyelenggaraan atau penyesuaian lain perlu dilakukan oleh Kilang atau Pusat Servis Makita yang Diiktiraf, sentiasa gunakan alat ganti Makita.

Penyimpanan aksesori

Paip boleh diletakkan ke dalam pemegang paip apabila pembersih tidak digunakan untuk masa yang singkat.

► **Rajah34**

► **Rajah35**

Hos boleh disimpan di keliling alat dengan menyambung setiap hujung.

► **Rajah36**

Membersihkan penapis serbuk (HEPA) dan penapis awal

Penapis serbuk tersumbat, penapis awal dan peredam menyebabkan prestasi sedutan yang lemah. Bersihkan penapis dan peredam dari semasa ke semasa.

Untuk mengeluarkan debu atau zarah yang melekat pada penapis, goncangkan bahagian bawah rangka dengan cepat beberapa kali.

► **Rajah37:** 1. Penapis awal

Basuh penapis serbuk sekali-sekala di dalam air, bilas dan keringkan sepenuhnya di bawah teduhan sebelum menggunakannya. Jangan sekali-kali basuh penapis di dalam mesin basuh.

► **Rajah38**

NOTA: Jangan gosok atau calarkan penapis serbuk, penapis awal atau peredam dengan objek keras seperti berus dan sudip.

NOTA: Penapis akan haus lama-kelamaan. Disyorkan untuk mendapatkan alat ganti bagi penapis.

AKSESORI PILIHAN

⚠ PERHATIAN: Aksesori-aksesori atau lampiran-lampiran ini adalah disyorkan untuk digunakan dengan alat Makita anda yang ditentukan dalam manual ini. Penggunaan mana-mana aksesori-aksesori atau lampiran-lampiran lain mungkin mengakibatkan risiko kecederaan kepada orang. Hanya gunakan aksesori atau lampiran untuk tujuan yang dinyatakannya.

Jika anda memerlukan sebarang bantuan untuk maklumat lebih lanjut mengenai aksesori ini, tanya Pusat Perkhidmatan Makita tempatan anda.

- Hos
- Kaf hadapan (22, 24, 38)
- Paip lurus
- Tongkat sambungan
- Muncung penjuru
- Berus bulat
- Penapis serbuk, HEPA (untuk debu kering)
- Peredam
- Penapis awal
- Pemasangan muncung
- Paip bengkok
- Beg polietilena
- Pek kertas
- Set pemegang
- Bateri dan pengecas asli Makita

NOTA: Beberapa item dalam senarai mungkin disertakan dalam pakej alat sebagai aksesori standard. Item mungkin berbeza mengikut negara.

CẢNH BÁO

- Máy này không dành cho những người suy giảm thể chất, giác quan hoặc khả năng trí óc, hoặc thiếu kinh nghiệm và kiến thức sử dụng bao gồm cả trẻ em.
- Trẻ em cần được giám sát để đảm bảo rằng chúng sẽ không nghịch máy hút bụi.
- Xem chương “THÔNG SỐ KỸ THUẬT” để biết loại tham chiếu dành cho pin.
- Xem phần “Lắp hoặc tháo hộp pin” để biết cách tháo hoặc lắp pin.
- Khi vứt bỏ hộp pin, hãy tháo chúng khỏi dụng cụ và thải bỏ ở nơi an toàn. Phải tuân thủ theo các quy định của địa phương liên quan đến việc thải bỏ pin.
- Nếu dụng cụ không được sử dụng trong một thời gian dài, cần phải tháo pin ra khỏi dụng cụ.
- Không để hộp pin ở tình trạng đoản mạch.
- Xem chương “BẢO DƯỠNG” để biết các chi tiết thích hợp về các biện pháp phòng ngừa trong quá trình bảo dưỡng của người dùng.

THÔNG SỐ KỸ THUẬT

Kiểu máy:	DVC867L	DVC157L
Loại bộ lọc tiêu chuẩn	Bộ lọc bụi dạng bột (cho bụi khô)	
Lượng không khí tối đa (với BL1850B, ống Φ38 mm x 2,5 m)	2,4 m ³ /min	
Chân không (với BL1850B, ống Φ38 mm x 2,5 m)	11 kPa	
Dung lượng hút	8 L	15 L
Kích thước (D x R x C)	366 mm x 334 mm x 368 mm	366 mm x 334 mm x 421 mm
Điện áp định mức	36 V một chiều	
Khối lượng tịnh	7,7 - 8,4 kg	8,0 - 8,6 kg
Cấp bảo vệ	IPX4	

- Do chương trình nghiên cứu và phát triển liên tục của chúng tôi nên các thông số kỹ thuật trong đây có thể thay đổi mà không cần thông báo trước.
- Các thông số kỹ thuật và hộp pin có thể thay đổi tùy theo từng quốc gia.
- Khối lượng không bao gồm các phụ kiện, ngoại trừ (các) hộp pin. Khối lượng kết hợp nhẹ nhất, nặng nhất của thiết bị và (các) hộp pin được thể hiện như trong bảng.

Hộp pin và sạc pin có thể áp dụng

Hộp pin	BL1815N / BL1820B / BL1830B / BL1840B / BL1850B / BL1860B
Bộ sạc	DC18RC / DC18RD / DC18RE / DC18SD / DC18SE / DC18SF / DC18SH

- Một số hộp pin và sạc pin được nêu trong danh sách ở trên có thể không khả dụng tùy thuộc vào khu vực cư trú của bạn.

⚠ CẢNH BÁO: Chỉ sử dụng hộp pin và sạc pin được nêu trong danh sách ở trên. Việc sử dụng bất cứ hộp pin và sạc pin nào khác có thể gây ra thương tích và/hoặc hỏa hoạn.

Ký hiệu

Phần dưới đây cho biết các ký hiệu có thể được dùng cho thiết bị. Đảm bảo rằng bạn hiểu rõ ý nghĩa của các ký hiệu này trước khi sử dụng.



Đọc tài liệu hướng dẫn.



Hãy cẩn thận và đặc biệt chú ý.



Cảnh báo! Máy hút bụi có thể chứa bụi nguy hiểm.



Không bao giờ đứng lên máy hút bụi.



Bụi loại L (nhẹ). Máy hút bụi có khả năng hút bụi loại L. Tuân thủ theo các quy định của quốc gia của bạn liên quan đến bụi và sức khỏe và an toàn nghề nghiệp.



Chỉ dành cho các quốc gia EU
Do có các thành phần nguy hiểm bên trong thiết bị điện và điện tử, ắc quy và pin thải bỏ nên có thể có tác động không tốt đến môi trường và sức khỏe con người.
Không vứt bỏ các thiết bị điện và điện tử hoặc pin với rác thải sinh hoạt!
Theo Chỉ thị của Châu Âu về thiết bị điện và điện tử thải bỏ và về pin và ắc quy và pin và ắc quy thải bỏ, cũng như sự thích ứng của chúng với luật pháp quốc gia, các thiết bị điện, pin và ắc quy thải phải được cất giữ riêng biệt và chuyển đến một điểm thu gom rác thải đô thị riêng, hoạt động theo các quy định về bảo vệ môi trường. Điều này được biểu thị bằng biểu tượng thùng rác có bánh xe gạch chéo được đặt trên thiết bị.

Mục đích sử dụng

Dụng cụ này được dùng để gom bụi khô. Dụng cụ này thích hợp cho sử dụng thương mại, ví dụ như trong khách sạn, trường học, bệnh viện, nhà máy, cửa hàng, văn phòng và các ngành kinh doanh cho thuê.

CẢNH BÁO AN TOÀN

Cảnh báo an toàn cho Máy hút bụi chạy pin

⚠ CẢNH BÁO: LƯU Ý ĐỌC KỸ tất cả các cảnh báo an toàn và các hướng dẫn **TRƯỚC KHI SỬ DỤNG**. Việc không tuân theo các cảnh báo và hướng dẫn có thể dẫn đến điện giật, hỏa hoạn và/hoặc thương tích nghiêm trọng.

1. Trước khi sử dụng, đảm bảo rằng máy hút bụi này phải do người đã được hướng dẫn đầy đủ về cách dùng máy hút bụi này sử dụng.
2. Trước khi sử dụng, nên cung cấp thông tin, hướng dẫn và đào tạo cho người vận hành để sử dụng máy và cho biết các chất tương tự mà máy sẽ sử dụng, bao gồm cả phương pháp an toàn để loại bỏ và xử lý vật liệu thu thập được.

3. Không vận hành máy hút bụi khi không có bộ lọc. Thay thế bộ lọc bị hỏng ngay lập tức.
4. **TRÁNH VÔ TÌNH KHỞI ĐỘNG MÁY**. Đảm bảo rằng cửa công tắc về nút TẮT khi lắp (các) pin.
5. Không có hút các vật liệu dễ cháy, pháo hoa, thuốc lá đang cháy, tro nóng, mặt kim loại nóng, các vật liệu sắc nhọn như dao cạo, kim, thủy tinh vỡ hoặc những vật tương tự.
6. **KHÔNG BAO GIỜ SỬ DỤNG MÁY HÚT BỤI TRONG KHU VỰC GẦN XĂNG DẦU, KHÍ GAS, SƠN, KEO DÁN HOẶC CÁC CHẤT CHÁY NÓ MẠNH**. Công tắc phát ra tia lửa khi BẬT và TẮT. Và vành góp điện động cơ cũng bị tương tự trong quá trình vận hành. Có thể gây ra cháy nổ nguy hiểm.
7. Không bao giờ hút các vật liệu độc hại, gây ung thư, dễ bắt lửa hoặc các vật liệu nguy hiểm khác như amiăng, thạch tín, bari, berilii, chì, thuốc trừ sâu, hoặc các vật liệu nguy hại cho sức khỏe khác.
8. Luôn đặt máy hút bụi trên một bề mặt phẳng nằm ngang để tránh rơi ngã hoặc xô dịch ngoài ý muốn.
9. Không sử dụng máy hút bụi ngoài trời khi đang mưa.
10. Máy này không được sử dụng ngoài trời vì nhiệt độ thấp đối với nước Phần Lan.
11. Không sử dụng gần với nguồn nhiệt (bếp, v.v...).
12. Nếu khí xả trả ngược vào phòng, cần phải cung cấp tốc độ thay đổi không khí trong phòng thích hợp. Cần tham khảo các quy định của Quốc gia.
13. Không chặn ngõ vào đầu hút/ngõ ra/lỗ thông hơi làm mát. Các lỗ thông hơi này cho phép làm mát động cơ. Cẩn thận tránh làm tác nghẽn nếu không động cơ sẽ cháy hòng do thiếu thông gió.
14. Luôn giữ thẳng bằng tốt và có chỗ để chân phù hợp.
15. Không gấp, kéo hoặc dẫm lên ống hút.
16. Dừng máy hút bụi ngay lập tức nếu bạn nhận thấy hiệu suất hoạt động của máy kém hoặc bất cứ điều gì bất thường trong khi vận hành.
17. **THÁO (CÁC) PIN**. Khi không sử dụng, trước khi bảo trì, và khi thay đổi các phụ kiện.
18. Làm sạch và bảo trì máy hút bụi ngay sau mỗi lần sử dụng để giữ máy trong điều kiện vận hành tốt nhất.
19. **BẢO DƯỠNG MÁY HÚT BỤI CẦN THẬN**. Giữ máy hút bụi sạch sẽ để máy hoạt động tốt và an toàn hơn. Tuân theo các hướng dẫn dành cho việc thay phụ tùng. Giữ tay cầm khô, sạch, không dính dầu và mỡ.

20. **KIỂM TRA CÁC BỘ PHẬN BỊ HƯ HỒNG.** Trước khi sử dụng tiếp máy hút bụi, cần phải kiểm tra kỹ lưỡng bộ phận bảo vệ hoặc bộ phận khác bị hư hỏng để xác định rằng máy sẽ vận hành bình thường và thực hiện đúng chức năng như được thiết kế. Kiểm tra cân chỉnh các bộ phận chuyên động, bó kẹp của các bộ phận chuyên động, chỗ nứt vỡ các bộ phận, chỗ gắn và bất cứ tình trạng nào khác có thể ảnh hưởng đến việc vận hành. Bộ phận bảo vệ hoặc bộ phận nào khác bị hư hỏng cần phải được sửa chữa đúng cách hoặc thay thế bởi trung tâm bảo trì được ủy quyền trừ khi có chỉ dẫn khác trong hướng dẫn sử dụng này. Hãy để trung tâm dịch vụ được ủy quyền thay thế các công tắc bị hỏng. Không sử dụng máy hút bụi nếu công tắc không bật và tắt được máy.
21. Đối với bảo dưỡng dành cho người dùng, máy phải được tháo dỡ, làm sạch và bảo dưỡng trong chừng mực hợp lý có thể thực hiện được, mà không gây rủi ro cho nhân viên bảo trì và những người khác.
22. Máy phải được kiểm tra kỹ thuật bởi nhà sản xuất, hoặc người đã được hướng dẫn, ít nhất là hàng năm, bao gồm, ví dụ, kiểm tra hư hỏng của các bộ lọc, độ kín khí của máy và cơ chế điều khiển đúng chức năng.
23. Khi thực hiện các hoạt động bảo hành hoặc sửa chữa, cần phải tháo bỏ tất cả các vật bị nhiễm bẩn mà không thể tẩy sạch một cách ung ý; các vật như vậy khi tháo bỏ phải đựng trong túi chống thấm theo mọi quy định hiện hành về việc xử lý chất thải đó.
24. **CÁC BỘ PHẬN THAY THẾ.** Khi bảo trì, chỉ sử dụng các bộ phận thay thế giống nhau.
25. **CẮT MÁY HÚT BỤI KHI KHÔNG SỬ DỤNG.** Khi không sử dụng, phải cắt máy hút bụi trong nhà.
26. Cắt giữ cẩn thận máy hút bụi của bạn. Xử lý mạnh tay có thể làm nứt vỡ ngay cả đối với máy hút bụi được thiết kế cứng cáp nhất.
27. Không cố làm sạch bên ngoài hoặc bên trong bằng ét xăng, dung môi hoặc hóa chất làm sạch. Điều này có thể gây nứt và làm mất màu.
28. Không sử dụng máy hút bụi trong một không gian khép kín nơi có khí dễ cháy, nổ hoặc độc hại do sơn gốc dầu, dung môi pha sơn, xăng, một số chất chống sâu mọt, v.v... gây ra, hoặc ở những khu vực có bụi dễ cháy.
29. Không vận hành máy hút bụi này hoặc bất kỳ máy nào khi đang chịu ảnh hưởng của ma túy hoặc rượu.
30. Theo nguyên tắc cơ bản về an toàn, phải sử dụng kính bảo hộ hoặc kính an toàn có tấm chắn.
31. Sử dụng mặt nạ chống bụi trong điều kiện làm việc nhiều bụi.
32. Máy này không dành cho những người suy giảm thể chất, giác quan hoặc khả năng trí óc, hoặc thiếu kinh nghiệm và kiến thức sử dụng bao gồm cả trẻ em.
33. Trẻ em cần được giám sát để đảm bảo rằng chúng sẽ không nghịch nhúng hút bụi.
34. Không bao giờ xử lý (cắt) pin và máy hút bụi bằng tay ướt.

35. Hết sức cẩn trọng khi làm sạch trên các bậc thang.
36. Không sử dụng máy hút bụi làm ghế ngồi hay ghế băng làm việc. Máy có thể dễ xuống và dẫn đến chấn thương cá nhân.

Sử dụng và bảo quản dụng cụ dùng pin

1. **Chỉ sạc pin lại với bộ sạc do nhà sản xuất quy định.** Bộ sạc phù hợp với một loại bộ pin này có thể gây ra nguy cơ hỏa hoạn khi được dùng cho một bộ pin khác.
2. **Chỉ sử dụng các dụng cụ máy với các bộ pin được quy định cụ thể.** Việc sử dụng bất cứ bộ pin nào khác có thể gây ra thương tích và hỏa hoạn.
3. **Khi không sử dụng bộ pin, hãy giữ tránh xa các đồ vật khác bằng kim loại, chẳng hạn như kẹp giấy, tiền xu, chìa khóa, đinh, ốc vít hoặc các vật nhỏ bằng kim loại mà có thể làm nổi tất cả đầu cực pin.** Các đầu cực pin bị đoản mạch có thể gây cháy hoặc hỏa hoạn.
4. **Trong điều kiện sử dụng quá mức, pin có thể bị chảy nước; hãy tránh tiếp xúc.** Nếu vô tình tiếp xúc với pin bị chảy nước, hãy rửa sạch bằng nước. Nếu dung dịch từ pin tiếp xúc với mắt, cần đi khám bác sĩ thêm. Dung dịch chảy ra từ pin có thể gây rát da hoặc bỏng.
5. **Không sử dụng bộ pin hoặc dụng cụ bị hư hỏng hoặc đã bị sửa đổi.** Pin đã bị hư hỏng hoặc đã bị sửa đổi có thể hành động theo cách không thể đoán trước dẫn đến cháy, nổ hoặc nguy cơ chấn thương.
6. **Không để bộ pin hoặc dụng cụ tiếp xúc với lửa hoặc nhiệt độ quá cao.** Tiếp xúc với lửa hoặc nhiệt độ trên 130 °C có thể gây ra cháy nổ.
7. **Làm theo tất cả các hướng dẫn sạc pin và không được sạc bộ pin hoặc dụng cụ vượt giới hạn nhiệt độ quy định trong hướng dẫn.** Sạc pin không đúng hoặc ở nhiệt độ vượt giới hạn nhiệt độ có thể gây hư hỏng cho pin và làm tăng nguy cơ cháy.

LƯU GIỮ CÁC HƯỚNG DẪN NÀY.

⚠CẢNH BÁO: KHÔNG vì đã thoải mái hay quen thuộc với sản phẩm (có được do sử dụng nhiều lần) mà không tuân thủ nghiêm ngặt các quy định về an toàn dành cho sản phẩm này. VIỆC DÙNG SAI hoặc không tuân theo các quy định về an toàn được nêu trong tài liệu hướng dẫn này có thể dẫn đến thương tích cá nhân nghiêm trọng.

Hướng dẫn quan trọng về an toàn dành cho hộp pin

1. Trước khi sử dụng hộp pin, hãy đọc kỹ tất cả các hướng dẫn và dấu hiệu cảnh báo trên (1) bộ sạc pin, (2) pin và (3) sản phẩm sử dụng pin.
2. Không tháo rời hoặc làm thay đổi hộp pin. Việc này có thể dẫn đến hỏa hoạn, quá nhiệt hoặc nổ.

3. Nếu thời gian vận hành ngắn hơn quá mức, hãy ngừng vận hành ngay lập tức. Điều này có thể dẫn đến rùi rò quá nhiệt, có thể gây bỏng và thậm chí là nổ.
4. Nếu chất điện phân rơi vào mắt, hãy rửa sạch bằng nước sạch và đến cơ sở y tế ngay lập tức. Chất này có thể khiến bạn giảm thị lực.
5. Không để hộp pin ở tình trạng đoản mạch:
 - (1) Không chạm vào cực pin bằng vật liệu dẫn điện.
 - (2) Tránh cất giữ hộp pin trong hộp có các vật kim loại khác như đinh, tiền xu, v.v...
 - (3) Không được để hộp pin tiếp xúc với nước hoặc mưa.

Đoản mạch pin có thể gây ra dòng điện lớn, quá nhiệt, có thể gây bỏng và thậm chí là hỏng hóc.

6. Không cất giữ cũng như sử dụng dụng cụ và hộp pin ở nơi nhiệt độ có thể lên tới hoặc vượt quá 50 °C (122 °F).
7. Không đốt hộp pin ngay cả khi hộp pin đã bị hư hại nặng hoặc hư hỏng hoàn toàn. Hộp pin có thể nổ khi tiếp xúc với lửa.
8. Không đóng đinh, cắt, nghiền nát, ném, làm rơi hộp pin hoặc va vật cứng vào hộp pin. Làm như thế có thể dẫn đến hỏa hoạn, quá nhiệt hoặc nổ.
9. Không sử dụng pin đã hỏng.
10. Pin nén lithium-ion là đối tượng có yêu cầu bắt buộc theo Luật Hàng hoá Nguy hiểm.

Đối với vận tải thương mại, ví dụ như vận tải do bên thứ ba, đại lý giao nhận, thì yêu cầu đặc biệt về đóng gói và nhãn ghi phải được giám sát. Để chuẩn bị cho mặt hàng cần vận chuyển, cần phải tham khảo ý kiến chuyên gia về vật liệu nguy hiểm. Nếu được, vui lòng tuân thủ các quy định quốc gia chi tiết hơn.

Buộc hoặc niêm phong các tiếp điểm mở và đóng gói pin theo cách đó để nó không thể di chuyển trong bao bì.

11. Khi vứt bỏ hộp pin, hãy tháo chúng khỏi dụng cụ và thải bỏ ở nơi an toàn. Phải tuân thủ theo các quy định của địa phương liên quan đến việc thải bỏ pin.
12. Chỉ sử dụng pin cho các sản phẩm Makita chỉ định. Lắp pin vào sản phẩm không thích hợp có thể gây ra hỏa hoạn, quá nhiệt, nổ, hoặc rò chất điện phân.
13. Nếu dụng cụ không được sử dụng trong một thời gian dài, cần phải tháo pin ra khỏi dụng cụ.
14. Trong và sau khi sử dụng, hộp pin có thể bị nóng, có thể gây bỏng hoặc bỏng ở nhiệt độ thấp. Chú ý xử lý hộp pin nóng.
15. Không chạm vào điện cực của dụng cụ ngay sau khi sử dụng vì điện cực đủ nóng để gây bỏng.
16. Không để vụn bào, bụi hoặc đất bám vào các điện cực, lỗ và rãnh của hộp pin. Việc này có thể dẫn đến hiệu suất kém hoặc hỏng hóc dụng cụ hay hộp pin.

17. Trừ khi dụng cụ hỗ trợ sử dụng gần đường dây điện cao thế, không sử dụng hộp pin gần đường dây điện cao thế. Việc này có thể dẫn đến trực tiếp hoặc hỏng hóc dụng cụ hay hộp pin.
18. Giữ pin tránh xa trẻ em.

LƯU GIỮ CÁC HƯỚNG DẪN NÀY.

⚠ THẬN TRỌNG: Chỉ sử dụng pin Makita chính hãng. Việc sử dụng pin không chính hãng Makita, hoặc pin đã được sửa đổi, có thể dẫn đến nổ pin gây ra cháy, thương tích và thiệt hại cá nhân. Nó cũng sẽ làm mất hiệu lực bảo hành của Makita dành cho dụng cụ của Makita và bộ sạc.

Mẹo duy trì tuổi thọ tối đa cho pin

1. Sạc hộp pin trước khi pin bị xả điện hoàn toàn. Luôn dừng việc vận hành dụng cụ và sạc pin khi bạn nhận thấy công suất dụng cụ bị giảm.
2. Không được phép sạc lại một hộp pin đã được sạc đầy. Sạc quá mức sẽ làm giảm tuổi thọ của pin.
3. Sạc pin ở nhiệt độ phòng 10°C - 40°C. Để cho hộp pin nóng nguội lại dần trước khi sạc pin.
4. Khi không sử dụng hộp pin, hãy tháo hộp pin ra khỏi dụng cụ hoặc bộ sạc.
5. Sạc pin sáu tháng một lần nếu bạn không sử dụng dụng cụ trong một thời gian dài (hơn sáu tháng).

Hướng dẫn quan trọng về an toàn dành cho thiết bị thu và phát không dây

1. Không tháo rời hoặc làm thay đổi thiết bị thu và phát không dây.
2. Giữ thiết bị thu và phát không dây tránh xa trẻ em. Nếu vô tình nuốt phải, hãy đến cơ sở y tế ngay lập tức.
3. Chỉ sử dụng thiết bị thu và phát không dây với các dụng cụ Makita.
4. Không để thiết bị thu và phát không dây tiếp xúc với mưa hoặc điều kiện ẩm ướt.
5. Không sử dụng thiết bị thu và phát không dây ở những nơi nhiệt độ vượt quá 50°C.
6. Không vận hành thiết bị thu và phát không dây ở những nơi gần các dụng cụ y tế, chẳng hạn như máy tạo nhịp tim.
7. Không vận hành thiết bị thu và phát không dây ở những nơi gần các thiết bị tự động. Nếu vận hành, các thiết bị tự động có thể phát sinh sự cố hoặc bị lỗi.
8. Không để thiết bị thu và phát không dây ở những nơi chịu nhiệt độ cao hoặc nơi có thể tạo ra tĩnh điện hoặc nhiễu điện.
9. Thiết bị thu và phát không dây có thể tạo ra từ trường điện (EMF) nhưng không có hại cho người dùng.
10. Thiết bị thu và phát không dây là một dụng cụ chính xác. Hãy cẩn trọng không làm rơi hoặc va đập thiết bị thu và phát không dây.

11. Tránh chạm vào điện cực của thiết bị thu và phát không dây bằng tay để trần hoặc vật liệu kim loại.
12. Luôn tháo pin ra khỏi sản phẩm khi lắp đặt thiết bị thu và phát không dây vào sản phẩm.
13. Khi mở nắp khe, hãy tránh nơi có bụi và nước có thể lọt vào khe. Luôn giữ sạch đầu vào của khe.
14. Luôn lắp thiết bị thu và phát không dây vào đúng hướng.
15. Không nhấn nút kích hoạt không dây trên thiết bị thu và phát không dây quá chặt và/hoặc nhấn nút bằng một vật có cạnh mép sắc.
16. Luôn đóng nắp khe khi vận hành.
17. Không tháo thiết bị thu và phát không dây khỏi khe trong khi dụng cụ đang được cấp điện. Làm như vậy có thể khiến thiết bị thu và phát không dây bị hỏng.
18. Không gỡ bỏ nhãn trên thiết bị thu và phát không dây.
19. Không được dán bất kỳ nhãn nào lên thiết bị thu và phát không dây.
20. Không để thiết bị thu và phát không dây ở những nơi có thể tạo ra tĩnh điện hoặc nhiễu điện.
21. Không được để thiết bị thu và phát không dây ở những nơi tiếp xúc với nguồn nhiệt cao, như trong ô tô dưới trời nắng.
22. Không để thiết bị thu và phát không dây ở những nơi có bụi hoặc bột hoặc ở những nơi tạo ra khí ăn mòn.
23. Thay đổi nhiệt độ đột ngột có thể làm thiết bị thu và phát không dây bị tụ hơi nước. Không sử dụng thiết bị thu và phát không dây cho đến khi nước ngưng tụ khô hoàn toàn.
24. Khi vệ sinh thiết bị thu và phát không dây, hãy lau nhẹ nhàng bằng vải mềm khô. Không sử dụng ết xăng, dung môi, dầu mỡ dẫn hoặc tương tự.
25. Khi bảo quản thiết bị thu và phát không dây, hãy cất giữ thiết bị trong hộp đựng được giao kèm hoặc hộp chống tĩnh điện.
26. Không được lắp bất kỳ thiết bị nào ngoài thiết bị thu và phát không dây Makita vào khe trên dụng cụ.
27. Không sử dụng dụng cụ có nắp khe bị hư hỏng. Nước, bụi bắn lọt vào khe có thể gây ra sự cố.
28. Không kéo và/hoặc vận nắp khe nếu không cần thiết. Lắp lại nắp nếu nó rơi ra khỏi dụng cụ.
29. Thay thế nắp khe nếu bị mất hoặc hư hỏng.

LƯU GIỮ CÁC HƯỚNG DẪN NÀY.

MÔ TẢ CÁC BỘ PHẬN

- **Hình1:** 1. Nắp thùng chứa 2. Bộ lọc dạng bột (HEPA) 3. Bộ điều tiết 4. Bộ lọc thô 5. Thùng chứa

MÔ TẢ CHỨC NĂNG

⚠ THẬN TRỌNG: Luôn đảm bảo rằng đã tắt dụng cụ và tháo hộp pin ra trước khi thực hiện việc điều chỉnh hoặc kiểm tra chức năng trên dụng cụ.

Lắp hoặc tháo hộp pin

⚠ THẬN TRỌNG: Luôn tắt dụng cụ trước khi lắp hoặc tháo hộp pin.

⚠ THẬN TRỌNG: Giữ máy hút bụi và hộp pin thật chắc khi lắp hoặc tháo hộp pin. Không giữ máy hút bụi và hộp pin thật chắc có thể làm trượt chúng khỏi tay và làm hư hỏng dụng cụ và hộp pin hoặc gây thương tích cá nhân.

⚠ THẬN TRỌNG: Cẩn thận tránh kẹp ngón tay của bạn khi mở hoặc đóng nắp pin. Nếu không, làm như vậy có thể gây ra thương tích cá nhân.

Để lắp đặt hộp pin, trước tiên mở khóa, và sau đó mở nắp pin. Sau đó, lắp hộp pin vào.

- **Hình2:** 1. Khóa 2. Nắp đậy pin

Đặt thẳng hàng phần chốt nhỏ ra của hộp pin vào phần rãnh nằm trên vỏ và trượt hộp pin vào vị trí. Đưa hộp pin vào cho đến khi chốt khóa vào đúng vị trí với một tiếng "cách" nhẹ. Sau đó đóng nắp đậy pin.

- **Hình3:** 1. Hộp pin

Để tháo hộp pin, vừa trượt pin ra khỏi dụng cụ vừa trượt nút vào phía trước hộp pin.

⚠ THẬN TRỌNG: Luôn lắp hộp pin khớp hoàn toàn vào vị trí cho đến khi không thể nhìn thấy đèn chỉ báo màu đỏ. Nếu không, hộp pin có thể vô ý rơi ra khỏi máy hút bụi, gây thương tích cho bạn hoặc người khác ở xung quanh.

⚠ THẬN TRỌNG: Không được dùng sức lắp hộp pin. Nếu hộp pin không nhẹ nhàng trượt vào vị trí, có nghĩa là pin vẫn chưa được lắp đúng.

LƯU Ý: Máy hút bụi sẽ không hoạt động nếu chỉ có một hộp pin.

Chỉ báo dung lượng pin còn lại

Chỉ dành cho hộp pin có đèn chỉ báo

- **Hình4:** 1. Các đèn chỉ báo 2. Nút Check (kiểm tra)

Ấn nút check (kiểm tra) trên hộp pin để chỉ báo dung lượng pin còn lại. Các đèn chỉ báo bật sáng lên trong vài giây.

Các đèn chỉ báo			Dung lượng còn lại
Bật sáng	Tắt	Nhấp nháy	
			75% đến 100%
			50% đến 75%
			25% đến 50%
			0% đến 25%
			Sạc pin.
			Pin có thể đã bị hỏng.

LƯU Ý: Tùy thuộc vào các điều kiện sử dụng và nhiệt độ xung quanh, việc chỉ báo có thể khác biệt một chút so với dung lượng thực sự.

LƯU Ý: Đèn chỉ báo (phía xa bên trái) đầu tiên sẽ nhấp nháy khi hệ thống bảo vệ pin hoạt động.

Chỉ báo dung lượng pin còn lại

► **Hình5:** 1. Đèn chỉ báo pin 2. Nút Check (kiểm tra)

► **Hình6**

Ấn nút Check (kiểm tra) để chỉ báo dung lượng pin còn lại. Đèn chỉ báo pin tương ứng với từng loại pin.

Trạng thái đèn chỉ báo pin			Dung lượng pin còn lại
Bật	Tắt	Nhấp nháy	
			50% đến 100%
			20% đến 50%
			0% đến 20%
			Sạc pin

LƯU Ý: Trong khi bật máy hút bụi bằng cách gạt công tắc về "AUTO", chỉ báo pin sẽ không hoạt động.

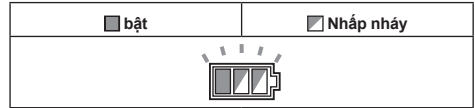
Hệ thống bảo vệ dụng cụ / pin

Dụng cụ này được trang bị hệ thống bảo vệ dụng cụ / pin. Hệ thống này sẽ tự động ngắt nguồn điện đến động cơ để kéo dài tuổi thọ dụng cụ và pin. Dụng cụ sẽ tự động dừng vận hành khi dụng cụ hoặc pin ở một trong những trường hợp sau đây:

Bảo vệ quá tải

Khi vận hành dụng cụ trong điều kiện làm máy tiêu tốn dòng cao bất thường, dụng cụ sẽ tự động dừng lại mà không có bất cứ dấu hiệu nào. Trong trường hợp này, hãy tắt dụng cụ và ngừng ứng dụng làm cho dụng cụ trở nên quá tải. Sau đó bật dụng cụ lên để khởi động lại.

Bảo vệ quá nhiệt



Khi bị quá nhiệt, dụng cụ sẽ tự động dừng, và đèn chỉ báo pin sẽ nhấp nháy khoảng 60 giây. Trong tình huống này, hãy để dụng cụ nguội lại dần trước khi bật dụng cụ một lần nữa.

Bảo vệ xả điện quá mức

Khi dung lượng pin yếu, thì dụng cụ sẽ tự động dừng. Nếu sản phẩm không vận hành ngay cả khi vận hành công tắc, hãy tháo pin ra khỏi dụng cụ và sạc pin.

Hoạt động công tắc

► **Hình7:** 1. Công tắc chờ 2. Nút nguồn 3. Nút điều chỉnh lực hút

Để khởi động máy hút bụi:

- Gạt công tắc chờ về phía "I". Máy hút bụi sẽ chuyển sang trạng thái chờ.
- Nhấn nút nguồn.

Để chuyển máy hút bụi sang chế độ chờ, nhấn nút nguồn một lần nữa.

Để tắt máy hút bụi, gạt công tắc chờ về phía "O".

Lực hút có thể được điều chỉnh tùy theo yêu cầu công việc của bạn.

Có thể tăng lực hút bằng cách xoay nút điều chỉnh lực hút từ biểu tượng đến biểu tượng .

CHÚ Ý: Luôn luôn đặt công tắc chờ ở phía "O" khi không sử dụng máy hút bụi trong thời gian dài. Máy hút bụi vẫn tiêu thụ điện năng trong trạng thái chờ.

Khóa hoặc mở khóa bánh xe

► **Hình8:** 1. Bánh xe 2. Cần chặn 3. Vị trí KHÓA 4. Vị trí KHÓA

Việc khóa bánh xe sẽ tạo thuận tiện khi cất máy hút bụi, tạm ngừng công việc đang làm và giữ cho máy hút bụi đứng yên.

Để điều khiển cần chặn, di chuyển nó bằng tay.

Để khóa bánh xe bằng cần chặn, gạt cần chặn xuống và bánh xe sẽ không quay nữa. Để mở bánh xe từ vị trí bị khóa, nâng cần chặn lên.

LƯU Ý: Khi di chuyển máy hút bụi, hãy chắc chắn rằng bánh xe đã được mở khóa. Di chuyển máy hút bụi khi bánh xe ở vị trí bị khóa có thể gây hư hại bánh xe.

Tay xách

Khi xách máy hút bụi, xách máy bằng cách nắm tay cầm ở trên đầu. Tay cầm có thể kéo gọn vào trong đầu máy khi không sử dụng.

► **Hình9**

LẮP RÁP

⚠ THẬN TRỌNG: Luôn đảm bảo rằng đã tắt dụng cụ và tháo hộp pin ra trước khi thực hiện bất cứ thao tác nào trên dụng cụ.

⚠ THẬN TRỌNG: Luôn luôn đeo mặt nạ chống bụi trong quá trình lắp ráp hoặc bảo trì.

Lắp bộ lọc dạng bột (HEPA) và bộ lọc thô (đối với bụi khô)

⚠ THẬN TRỌNG: Không bao giờ được hút nước hay các chất lỏng khác hoặc bụi ướt khi đang sử dụng bộ lọc bụi dạng bột. Hút những thứ này có thể khiến bộ lọc bột bị vỡ.

Để sử dụng bộ lọc bụi dạng bột:

1. Đặt bộ lọc thô vào thùng chứa đúng theo dấu chỉ thị vị trí lắp đặt.
 2. Gắn bộ điều tiết lên trên bộ lọc bụi dạng bột và sau đó đặt chúng vào trong bộ lọc thô đúng theo dấu chỉ thị vị trí lắp đặt.
 3. Gắn nắp thùng chứa và khóa nó lại.
- **Hình10:** 1. Nắp thùng chứa 2. Bộ lọc dạng bột (HEPA) 3. Bộ điều tiết 4. Bộ lọc thô 5. Thùng chứa 6. Dấu chỉ thị vị trí lắp đặt

CHÚ Ý: Trước khi sử dụng bộ lọc bụi dạng bột, hãy chắc chắn rằng bộ lọc thô và bộ điều tiết luôn được sử dụng cùng với nhau. Không được phép chỉ lắp đặt riêng bộ lọc bụi dạng bột.

Lắp đặt hộp bằng giấy

Phụ kiện tùy chọn

⚠ CẢNH BÁO: Khi sử dụng hộp bằng giấy, hãy sử dụng cùng cả bộ lọc thô đã được lắp đặt sẵn trên máy. Nếu không sử dụng kèm bộ lọc thô thì có thể gây ra tiếng ồn và nhiệt độ bất thường, dẫn đến cháy.

⚠ THẬN TRỌNG: Trước khi sử dụng hộp bằng giấy, hãy chắc chắn rằng bộ lọc bột, bộ điều tiết và bộ lọc thô luôn được sử dụng cùng nhau.

1. Mở rộng hộp bằng giấy.
 2. Xếp phần mở hộp bằng giấy khớp phần mở hút bụi của máy hút bụi.
 3. Lắp bìa cứng của hộp bằng giấy vào vòng kẹp sao cho đúng với vị trí cuối cùng trên phần lõi ra của chốt.
- **Hình11:** 1. Hộp bằng giấy 2. Vòng kẹp

Lắp túi polyethylene

Máy hút bụi cũng có thể được sử dụng mà không cần túi polyethylene. Tuy nhiên, sử dụng túi polyethylene sẽ giúp dễ dàng làm sạch thùng chứa mà không làm bẩn tay của bạn.

Trải túi polyethylene trong thùng chứa. Lắp túi vào giữa tấm đỡ và thùng chứa, và kéo nó vào lõi vào ống dẫn.

► **Hình12:** 1. Tấm đỡ 2. Túi polyethylene

Trải túi quanh phần đầu của thùng chứa sao cho cạnh của bộ lọc thô có thể kẹp và giữ túi một cách an toàn.

► **Hình13:** 1. Bộ lọc thô

LƯU Ý: Có thể sử dụng túi polyethylene sẵn có trên thị trường. Khuyến nghị sử dụng túi dày khoảng 0,04 mm hoặc dày hơn.

LƯU Ý: Quá nhiều bụi sẽ dễ dàng làm rách túi, do đó, không hút nhiều bụi hơn một nửa dung tích túi.

Đổ túi polyethylene

⚠ CẢNH BÁO: Luôn đảm bảo rằng đã tắt máy và tháo hộp pin ra trước khi đổ túi polyethylene. Nếu không làm như vậy có thể gây ra giật điện và gây nguy hiểm cho người sử dụng.

⚠ THẬN TRỌNG: Không tác động lực lớn lên thùng chứa. Tác động lực lớn có thể gây ra biến dạng và hư hỏng các bộ phận.

⚠ THẬN TRỌNG: Mặc dù điều này phụ thuộc vào khối lượng bụi được hút trong bình chứa hãy làm sạch thùng chứa ít nhất một ngày một lần. Nếu không, lực hút sẽ bị yếu đi và động cơ có thể bị hỏng.

⚠ THẬN TRỌNG: Không nắm vào móc khi làm sạch thùng chứa. Nắm vào móc có thể gây vỡ móc.

Tháo móc và nâng nắp thùng chứa.

Lắc bụi từ bộ lọc thô và sau đó lấy túi polyethylene ra khỏi thùng chứa.

► **Hình14**

LƯU Ý: Lấy cẩn thận túi polyethylene ra khỏi thùng chứa để túi nhựa không bị móc vào và rách bởi phần lõi ra trong thùng chứa khi làm sạch thùng.

LƯU Ý: Đổ túi polyethylene trước khi nó bị đầy. Quá nhiều bụi trong thùng chứa có thể làm rách túi polyethylene.

Lắp hộp công cụ

1. Mở khóa nắp pin và mở nắp pin.
 2. Đặt các thanh khớp trên hộp công cụ dọc theo đường rãnh trên vỏ máy.
 3. Đóng nắp pin và khóa lại.
- **Hình15**

Hộp công cụ tiện lợi cho việc mang theo pin, ống hoặc vòng bít.

► **Hình16**

Nổi ống dẫn

CHÚ Ý: Không bao giờ tác động lực lên ống dẫn để uốn cong hoặc làm bẹp nó. Không bao giờ di chuyển máy hút bụi bằng ống dẫn. Uốn cong, làm bẹp và kéo ống dẫn có thể làm vỡ hoặc gây biến dạng ống dẫn.

CHÚ Ý: Khi hút rác lớn như vụn máy bào bàn, bụi xi măng hay các rác tương tự ngoài các rác nhỏ, hãy sử dụng ống có đường kính trong 38 mm (phụ tùng tùy chọn). Sử dụng ống dẫn có đường kính trong 28 mm (phụ tùng tùy chọn) có thể dẫn đến việc làm tắc và hư hỏng ống.

Lắp ống vào cổng nối với thùng chứa và vận theo chiều kim đồng hồ cho đến khi nó được khóa lại.

► **Hình17**

Kết nối phụ tùng có chức năng khóa

Phụ kiện tùy chọn

Lắp phụ tùng vào ngõ vào đầu hút cho đến khi kêu cách.

Để tháo ra, kéo phụ tùng trong khi đẩy nút nhả.

► **Hình18:** 1. Ngõ vào đầu hút có chức năng khóa
2. Nút nhả 3. Phụ tùng có chức năng khóa

LƯU Ý: Phụ tùng có chức năng khóa có sẵn khi sử dụng ngõ vào đầu hút có chức năng khóa.

► **Hình19:** 1. Phụ tùng có chức năng khóa 2. Ngõ vào đầu hút có chức năng khóa 3. Ngõ vào đầu hút không có chức năng khóa

Điều chỉnh độ dài của ống nối nổi dài dạng trượt

Phụ kiện tùy chọn

Vừa nhấn nút trượt, vừa điều chỉnh chiều dài ống nối. Chiều dài được khóa khi nhả nút trượt.

► **Hình20:** 1. Nút trượt

CHỨC NĂNG KÍCH HOẠT KHÔNG DÂY

Những điều bạn có thể thực hiện với chức năng kích hoạt không dây

Chức năng kích hoạt không dây cho phép vận hành sạch và thuận lợi. Bằng cách nối dụng cụ được hỗ trợ vào máy hút bụi, bạn có thể chạy máy hút bụi tự động cùng với vận hành chuyển đổi của dụng cụ.

► **Hình21**

CHÚ Ý: Hãy đảm bảo rằng bạn đã tham khảo kỹ tài liệu hướng dẫn sử dụng dụng cụ khi dùng máy hút bụi bằng chức năng kích hoạt không dây.

CHÚ Ý: Không tháo rời hoặc làm thay đổi thiết bị thu và phát không dây.

CHÚ Ý: Để ngăn bụi rơi vào khe của thiết bị thu và phát không dây, luôn đóng chặt nắp trong quá trình vận hành và bảo quản.

CHÚ Ý: Không tháo thiết bị thu và phát không dây khi đang cấp điện. Làm như vậy có thể khiến thiết bị thu và phát không dây bị hỏng.

CHÚ Ý: Không nhấn nút kích hoạt không dây quá chặt và/hoặc nhấn nút bằng một vật có cạnh mập sác.

LƯU Ý: Để sử dụng chức năng kích hoạt không dây bạn cần có các dụng cụ của Makita được trang bị thiết bị thu và phát không dây.

LƯU Ý: Cần phải đăng ký dụng cụ vào lần đầu dùng chức năng kích hoạt không dây cho từng dụng cụ sử dụng. Khi việc đăng ký dụng cụ được hoàn thành, sẽ không cần phải đăng ký lại, trừ khi bạn huỷ bỏ đăng ký.

LƯU Ý: Trước khi đăng ký, hãy chắc chắn rằng thiết bị thu và phát không dây được gắn đúng cách.

LƯU Ý: Một thiết bị thu và phát không dây có thể đăng ký tối đa 10 liên kết với các thiết bị thu và phát không dây khác. Nếu có hơn 10 thiết bị thu và phát không dây khác được đăng ký với một thiết bị thu và phát không dây, thiết bị thu và phát không dây được đăng ký sớm nhất sẽ tự động bị huỷ.

LƯU Ý: Vị trí của nút kích hoạt không dây có thể khác nhau tùy theo dụng cụ.

LƯU Ý: Máy hút bụi cũng sẽ khởi động bằng cách nhấn nút nguồn khi công tắc chờ được gạt về "AUTO".

Tuy nhiên, nút nguồn sẽ không khởi hoạt khi chức năng kích hoạt không dây được sử dụng.

Lắp thiết bị thu và phát không dây

⚠ THẬN TRỌNG: Đặt máy hút bụi lên trên bề mặt phẳng và cố định khi lắp thiết bị thu và phát không dây.

CHÚ Ý: Làm sạch bụi bẩn trên máy hút bụi trước khi lắp đặt thiết bị thu và phát không dây. Bụi bẩn có thể gây ra sự cố nếu lọt vào khe của thiết bị thu và phát không dây.

CHÚ Ý: Để ngăn sự cố do tĩnh điện, hãy chạm vào vật liệu xa tĩnh, chẳng hạn như bộ phận kim loại, trước khi cầm thiết bị thu và phát không dây.

CHÚ Ý: Khi lắp thiết bị thu và phát không dây, luôn đảm bảo rằng thiết bị không dây được lắp vào đúng hướng và nắp được đóng lại hoàn toàn.

1. Mở nắp trên máy hút bụi như minh họa trong hình.

► **Hình22:** 1. Nắp

2. Lắp thiết bị thu và phát không dây vào khe và sau đó đóng nắp lại.

Khi lắp thiết bị thu và phát không dây, căn chỉnh các góc nhô ra thẳng với các phần lõm trên khe.

► **Hình23:** 1. Thiết bị thu và phát không dây 2. Góc nhô ra 3. Nắp 4. Phần lõm

Khi tháo thiết bị thu và phát không dây, mở nắp từ từ. Các móc treo vào phía sau nắp sẽ nâng thiết bị thu và phát không dây khi bạn kéo nắp lên.

► **Hình24:** 1. Thiết bị thu và phát không dây 2. Móc treo 3. Nắp

Sau khi tháo thiết bị thu và phát không dây, hãy cất giữ trong hộp đựng máy được giao kèm hoặc hộp chống tĩnh điện.

CHÚ Ý: Luôn sử dụng các móc ở phía sau nắp khi tháo thiết bị thu và phát không dây. Nếu các móc không móc vào thiết bị thu và phát không dây, đóng nắp hoàn toàn và mở lại từ từ.

Đăng ký dụng cụ cho máy hút bụi

LƯU Ý: Việc đăng ký dụng cụ yêu cầu có dụng cụ Makita hỗ trợ chức năng kích hoạt không dây.

LƯU Ý: Hãy hoàn tất quá trình lắp thiết bị thu và phát không dây vào dụng cụ trước khi bắt đầu đăng ký dụng cụ.

LƯU Ý: Trong khi đăng ký dụng cụ, không được kéo cần khởi động công tắc trên dụng cụ hoặc bật công tắc nguồn trên máy hút bụi.

LƯU Ý: Tham khảo cả tài liệu hướng dẫn về dụng cụ.

Nếu bạn muốn kích hoạt máy hút bụi cùng với vận hành chuyển đổi dụng cụ, hãy hoàn tất đăng ký dụng cụ trước.

1. Lắp thiết bị thu và phát không dây tương ứng vào máy hút bụi và dụng cụ.

2. Lắp pin vào máy hút bụi và dụng cụ.

3. Gạt công tắc chờ trên máy hút bụi về "AUTO".

► **Hình25:** 1. Công tắc chờ

4. Nhấn nút kích hoạt không dây trên máy hút bụi trong 3 giây cho đến khi đèn kích hoạt không dây nhấp nháy màu xanh lá. Và sau đó nhấn nút kích hoạt không dây trên dụng cụ theo cách tương tự.

► **Hình26:** 1. Nút kích hoạt không dây 2. Đèn kích hoạt không dây

Nếu máy hút bụi và dụng cụ được kết nối thành công, đèn kích hoạt không dây sẽ sáng màu xanh lá trong 2 giây và bắt đầu nhấp nháy màu xanh dương.

LƯU Ý: Đèn kích hoạt không dây sẽ ngừng nhấp nháy màu xanh lá sau khoảng thời gian 20 giây. Nhấn nút kích hoạt không dây trên dụng cụ khi đèn kích hoạt không dây trên máy hút bụi đang nhấp nháy. Nếu đèn kích hoạt không dây không nhấp nháy màu xanh lá, bấm nút kích hoạt không dây một cách dứt khoát và đèn nút xuống lần nữa.

LƯU Ý: Khi thực hiện hai hay nhiều đăng ký dụng cụ cho một máy hút bụi, hãy hoàn tất từng đăng ký dụng cụ một.

Khởi động chức năng kích hoạt không dây

LƯU Ý: Hoàn tất đăng ký dụng cụ máy hút bụi cho kích hoạt không dây.

LƯU Ý: Luôn đặt máy hút bụi sao cho bạn có thể nhìn thấy trạng thái của đèn kích hoạt không dây.

LƯU Ý: Tham khảo cả tài liệu hướng dẫn về dụng cụ.

Sau khi đăng ký dụng cụ cho máy hút bụi, máy hút bụi sẽ chạy tự động cùng với vận hành chuyển đổi của dụng cụ.

1. Lắp thiết bị thu và phát không dây tương ứng vào máy hút bụi và dụng cụ.

2. Lắp pin vào máy hút bụi và dụng cụ.

3. Nối ống dẫn của máy hút bụi vào dụng cụ.

► **Hình27**

4. Gạt công tắc chờ trên máy hút bụi về "AUTO".

► **Hình28:** 1. Công tắc chờ

5. Bấm dứt khoá nút kích hoạt không dây trên dụng cụ. Đèn kích hoạt không dây sẽ nhấp nháy màu xanh dương.

► **Hình29:** 1. Nút kích hoạt không dây 2. Đèn kích hoạt không dây

6. Kéo cần khởi động công tắc của dụng cụ. Kiểm tra xem máy hút bụi có chạy trong khi cần khởi động công tắc trên dụng cụ đang được kéo hay không.

⚠ THẬN TRỌNG: Luôn kiểm tra xem chức năng kích hoạt không dây có hoạt động không trước khi bắt đầu công việc với dụng cụ.

Để dừng kích hoạt không dây, bấm nút kích hoạt không dây trên dụng cụ, hoặc gạt công tắc chờ trên máy hút bụi về "I" hay "O".

LƯU Ý: Đèn kích hoạt không dây trên dụng cụ sẽ dừng nhấp nháy màu xanh dương khi không vận hành 2 giờ. Trong trường hợp này, cài đặt công tắc chờ trên máy hút bụi về "AUTO" và nhấn nút kích hoạt không dây trên dụng cụ lần nữa.

LƯU Ý: Máy hút bụi khởi động/dừng lại với khoảng trì hoãn. Có một khoảng thời gian chậm lại khi máy hút bụi phát hiện việc vận hành chuyển đổi của dụng cụ.

LƯU Ý: Khoảng cách truyền của thiết bị thu và phát không dây có thể khác nhau tùy thuộc vào vị trí và hoàn cảnh xung quanh.

LƯU Ý: Khi hai hoặc nhiều dụng cụ được đăng ký cho một máy hút bụi, máy hút bụi có thể bắt đầu chạy ngay cả khi bạn không kéo cần khởi động công tắc vì người dùng khác đang sử dụng chức năng kích hoạt không dây.

Hủy bỏ đăng ký dụng cụ cho máy hút bụi

Thực hiện theo quy trình sau đây khi hủy bỏ đăng ký dụng cụ cho máy hút bụi.

1. Lắp thiết bị thu và phát không dây tương ứng vào máy hút bụi và dụng cụ.
2. Lắp pin vào máy hút bụi và dụng cụ.
3. Gạt công tắc chờ trên máy hút bụi về "AUTO".

► **Hình30:** 1. Công tắc chờ

4. Nhấn nút kích hoạt không dây trên máy hút bụi trong 6 giây. Đèn kích hoạt không dây nhấp nháy màu xanh lá và sau đó bật màu đỏ. Sau đó, nhấn nút kích hoạt không dây trên dụng cụ theo cách tương tự.

► **Hình31:** 1. Nút kích hoạt không dây 2. Đèn kích hoạt không dây

Nếu thực hiện hủy bỏ thành công, đèn kích hoạt không dây sẽ sáng màu đỏ trong 2 giây và bắt đầu nhấp nháy màu xanh dương.

LƯU Ý: Đèn kích hoạt không dây sẽ ngừng nhấp nháy màu đỏ sau khoảng thời gian 20 giây. Nhấn nút kích hoạt không dây trên dụng cụ khi đèn kích hoạt không dây trên máy hút bụi đang nhấp nháy. Nếu đèn kích hoạt không dây không nhấp nháy màu đỏ, bấm nút kích hoạt không dây một cách dứt khoát và để nút xuống lần nữa.

Xoá tất cả đăng ký dụng cụ

Bạn có thể xoá tất cả đăng ký dụng cụ khỏi máy hút bụi theo các bước sau đây.

► **Hình32:** 1. Công tắc chờ 2. Nút kích hoạt không dây 3. Đèn kích hoạt không dây

1. Lắp thiết bị thu và phát không dây vào máy hút bụi.
2. Lắp pin vào máy hút bụi.
3. Gạt công tắc chờ về "AUTO".
4. Nhấn giữ nút kích hoạt không dây trong khoảng 6 giây cho đến khi đèn kích hoạt không dây nhấp nháy màu đỏ (khoảng hai lần/giây).
5. Khi đèn kích hoạt không dây bắt đầu nhấp nháy màu đỏ, thả ngón tay ra khỏi nút kích hoạt không dây. Sau đó, nhấn giữ nút kích hoạt không dây trong khoảng 6 giây lần nữa.
6. Khi đèn kích hoạt không dây bắt đầu nhấp nháy nhanh màu đỏ (khoảng 5 lần/giây), thả ngón tay ra khỏi nút kích hoạt không dây. Khi đèn kích hoạt không dây sáng lên màu đỏ rồi tắt, tất cả đăng ký dụng cụ đã được xoá.

LƯU Ý: Nếu đèn kích hoạt không dây không nhấp nháy màu đỏ, nhấn nút kích hoạt không dây một cách dứt khoát và thử lại.

Mô tả tình trạng đèn kích hoạt không dây

► **Hình33:** 1. Nút kích hoạt không dây 2. Đèn kích hoạt không dây

Đèn kích hoạt không dây cho biết tình trạng của chức năng kích hoạt không dây. Tham khảo bảng bên dưới để biết ý nghĩa của tình trạng đèn.

Tình trạng	Đèn kích hoạt không dây				Mô tả
	Màu	<input type="checkbox"/> Bật	<input type="checkbox"/> Nhấp nháy	Khoảng thời gian (tương đối)	
Chờ	Màu xanh dương	<input checked="" type="checkbox"/>		Máy hút bụi: vận hành Dụng cụ liên tục: 2 giờ	Chờ cho đăng ký dụng cụ hoặc chức năng kích hoạt không dây khả dụng. Đèn trên máy hút bụi sẽ nhấp nháy khi công tắc chờ được gạt về AUTO. Đèn trên dụng cụ sẽ nhấp nháy khi bấm nút kích hoạt không dây. Đèn trên dụng cụ sẽ tự động tắt khi không vận hành trong 2 giờ.
		<input type="checkbox"/>		Khi dụng cụ đang chạy.	Kích hoạt không dây của máy hút bụi là khả dụng và dụng cụ đang chạy.
Đăng ký dụng cụ	Màu xanh lá	<input checked="" type="checkbox"/>		20 giây	Sẵn sàng để đăng ký dụng cụ. Tìm dụng cụ để đăng ký.
		<input type="checkbox"/>		2 giây	Đăng ký dụng cụ đã hoàn tất. Đèn kích hoạt không dây sẽ bắt đầu nhấp nháy màu xanh dương.
Hủy bỏ/xoá đăng ký dụng cụ	Màu đỏ	<input checked="" type="checkbox"/>		20 giây	Sẵn sàng để hủy bỏ đăng ký dụng cụ. Tìm dụng cụ để hủy bỏ.
		<input checked="" type="checkbox"/>		Khi nút kích hoạt không dây được nhấn xuống.	Sẵn sàng để xoá tất cả các đăng ký dụng cụ.
		<input type="checkbox"/>		2 giây	Đăng ký dụng cụ đã hoàn tất hủy bỏ/xoá. Đèn kích hoạt không dây sẽ bắt đầu nhấp nháy màu xanh dương.
Khác	Màu đỏ	<input type="checkbox"/>		3 giây	Cấp nguồn cho thiết bị thu và phát không dây và chức năng kích hoạt không dây khởi động.
	Tắt	-		-	Công tắc chờ không được gạt về "AUTO".

Xử lý sự cố cho chức năng kích hoạt không dây

Trước khi yêu cầu sửa chữa, đầu tiên hãy tự tiến hành kiểm tra của riêng bạn. Nếu bạn phát hiện vấn đề nào đó không được giải thích trong sách hướng dẫn sử dụng này, đừng cố tháo dỡ dụng cụ. Thay vào đó, hãy nhờ Trung tâm dịch vụ Makita được ủy quyền, Luôn sử dụng bộ phận thay thế của Makita để sửa chữa.

Tình trạng bất thường	Nguyên nhân tiềm tàng (sự cố hồng học)	Biện pháp khắc phục
Đèn kích hoạt không dây không sáng/nhấp nháy.	Thiết bị thu và phát không dây không được lắp vào máy hút bụi và/hoặc dụng cụ. Thiết bị thu và phát không dây được lắp không đúng cách vào máy hút bụi và/hoặc dụng cụ.	Lắp thiết bị thu và phát không dây đúng cách.
	Điện cực của thiết bị thu và phát không dây và/hoặc khe bị bẩn.	Nhẹ nhàng lau sạch bụi bẩn trên điện cực của thiết bị thu và phát không dây và làm sạch khe của máy hút bụi và/hoặc dụng cụ.
	Chưa bấm nút kích hoạt không dây trên dụng cụ.	Bấm dứt khoá nút kích hoạt không dây trên dụng cụ.
	Công tắc chờ trên máy hút bụi không được gạt về "AUTO".	Gạt công tắc chờ trên máy hút bụi về "AUTO".
	Không có nguồn cấp điện	Cấp điện cho dụng cụ và máy hút bụi.
Không thể hoàn tất đăng ký dụng cụ / hủy bỏ đăng ký dụng cụ thành công.	Thiết bị thu và phát không dây không được lắp vào máy hút bụi và/hoặc dụng cụ. Thiết bị thu và phát không dây được lắp không đúng cách vào máy hút bụi và/hoặc dụng cụ.	Lắp thiết bị thu và phát không dây đúng cách.
	Điện cực của thiết bị thu và phát không dây và/hoặc khe bị bẩn.	Nhẹ nhàng lau sạch bụi bẩn trên điện cực của thiết bị thu và phát không dây và làm sạch khe của máy hút bụi và/hoặc dụng cụ.
	Công tắc chờ trên máy hút bụi không được gạt về "AUTO".	Gạt công tắc chờ trên máy hút bụi về "AUTO".
	Không có nguồn cấp điện	Cấp điện cho dụng cụ và máy hút bụi.
	Vận hành không chính xác	Bấm dứt khoá nút kích hoạt không dây và thực hiện lại quy trình đăng ký/hủy bỏ dụng cụ.
	Dụng cụ và máy hút bụi cách xa nhau (ngoài phạm vi truyền).	Đặt dụng cụ và máy hút bụi gần nhau hơn. Khoảng cách truyền tối đa là khoảng 10 m, tuy nhiên có thể khác nhau tùy theo trường hợp.
	Trước khi hoàn tất đăng ký/hủy bỏ dụng cụ: - cần khởi động công tắc trên dụng cụ phải được kéo hoặc; - nút nguồn trên máy hút bụi phải được bật.	Bấm dứt khoá nút kích hoạt không dây và thực hiện lại quy trình đăng ký/hủy bỏ dụng cụ.
	Quy trình đăng ký dụng cụ cho dụng cụ hoặc máy hút bụi chưa hoàn tất.	Thực hiện quy trình đăng ký dụng cụ cho cả dụng cụ và máy hút bụi cùng một lúc.
	Nhiều sóng vô tuyến do các thiết bị có thể tạo ra sóng vô tuyến cường độ cao khác gây ra.	Giữ dụng cụ và máy hút bụi cách xa các thiết bị như các thiết bị Wi-Fi và lò vi sóng.

Tình trạng bất thường	Nguyên nhân tiềm tàng (sự cố hồng hóc)	Biện pháp khắc phục
Máy hút bụi không hoạt động theo vận hành chuyển đổi dụng cụ.	Thiết bị thu và phát không dây không được lắp vào máy hút bụi và/hoặc dụng cụ. Thiết bị thu và phát không dây được lắp không đúng cách vào máy hút bụi và/hoặc dụng cụ.	Lắp thiết bị thu và phát không dây đúng cách.
	Điện cực của thiết bị thu và phát không dây và/hoặc khe bị bẩn.	Nhẹ nhàng lau sạch bụi bẩn trên điện cực của thiết bị thu và phát không dây và làm sạch khe của máy hút bụi và/hoặc dụng cụ.
	Chưa Bấm nút kích hoạt không dây trên dụng cụ.	Nhấn dứt khoát nút kích hoạt không dây và đảm bảo rằng đèn kích hoạt không dây đang nhấp nháy màu xanh dương.
	Công tắc chờ trên máy hút bụi không được gạt về "AUTO".	Gạt công tắc chờ trên máy hút bụi về "AUTO".
	Hơn 10 dụng cụ được đăng ký cho máy hút bụi.	Thực hiện lại đăng ký dụng cụ. Nếu có hơn 10 dụng cụ được đăng ký cho máy hút bụi, dụng cụ được đăng ký sớm nhất sẽ tự động bị hủy bỏ.
	Máy hút bụi đã xóa toàn bộ các đăng ký dụng cụ.	Thực hiện lại đăng ký dụng cụ.
	Không có nguồn cấp điện	Cấp điện cho dụng cụ và máy hút bụi.
	Dụng cụ và máy hút bụi cách xa nhau (ngoài phạm vi truyền).	Đặt dụng cụ và máy hút bụi gần nhau hơn. Khoảng cách truyền tối đa là khoảng 10 m, tuy nhiên có thể khác nhau tùy theo trường hợp.
	Nhiều sóng vô tuyến do các thiết bị có thể tạo ra sóng vô tuyến cường độ cao khác gây ra.	Giữ dụng cụ và máy hút bụi cách xa các thiết bị như các thiết bị Wi-Fi và lò vi sóng.
Máy hút bụi chạy trong khi cần khởi động công tắc của dụng cụ không được kéo.	Người dùng khác đang sử dụng kích hoạt không dây của máy hút bụi bằng dụng cụ của họ.	Tắt nút kích hoạt không dây của các dụng cụ khác hoặc hủy bỏ đăng ký dụng cụ của các dụng cụ khác.
Không thể xoá tất cả các đăng ký dụng cụ trong máy hút bụi.	Nhấn dứt khoát nút kích hoạt không dây trên dụng cụ.	Nhấn nút kích hoạt không dây trên máy hút bụi để xoá toàn bộ các đăng ký dụng cụ.
	Công tắc chờ trên máy hút bụi không được gạt về "AUTO".	Gạt công tắc chờ trên máy hút bụi về "AUTO".
	Nút kích hoạt không dây chưa được nhấn giữ đúng cách.	Nhấn giữ nút kích hoạt không dây trong hơn 6 giây và sau đó thả nút này ra khi đèn kích hoạt không dây nhấp nháy màu đỏ. Nhấn giữ nút kích hoạt không dây trong hơn 6 giây một lần nữa cho đến khi đèn kích hoạt không dây nhấp nháy nhanh màu đỏ và sau đó thả nút ra.

BẢO TRÌ

⚠ THẬN TRỌNG: Hãy luôn chắc chắn rằng dụng cụ đã được tắt và hộp pin đã được tháo ra trước khi cố gắng thực hiện việc kiểm tra hay bảo dưỡng.

CHÚ Ý: Không được phép dùng xăng, ét xăng, dung môi, cồn hoặc hóa chất tương tự. Có thể xảy ra hiện tượng mất màu, biến dạng hoặc nứt vỡ.

Để đảm bảo ĐỘ AN TOÀN và ĐỘ TIN CẬY của sản phẩm, việc sửa chữa hoặc bất cứ thao tác bảo trì, điều chỉnh nào đều phải được thực hiện bởi các Trung tâm Dịch vụ Nhà máy hoặc Trung tâm được Makita Ủy quyền và luôn sử dụng các phụ tùng thiết bị thay thế của Makita.

Cất giữ phụ tùng

Các ống có thể được đặt vào ngăn chứa ống khi không sử dụng máy hút bụi trong thời gian ngắn.

► **Hình34**

► **Hình35**

Ống dẫn có thể được lưu giữ quanh công cụ bằng cách nối các đầu lại.

► **Hình36**

Làm sạch bộ lọc dạng bột (HEPA) và bộ lọc thô

bộ lọc bụi dạng bột, lọc thô và bộ điều tiết bị tắc có thể làm giảm hiệu suất hút. Làm sạch các bộ lọc và bộ điều tiết theo thời gian.

Đề loại bỏ bụi hoặc các hạt mắc bên trong bộ lọc, lắc phía đáy khung nhanh và nhiều lần.

► **Hình37:** 1. Bộ lọc thô

Thỉnh thoảng rửa bộ lọc bụi dạng bột trong nước, giữ và làm khô hoàn toàn trong bóng râm trước khi sử dụng. Không bao giờ rửa bộ lọc bằng máy giặt.

► **Hình38**

LƯU Ý: Không chà hoặc cào xước bộ lọc bụi dạng bột, bộ lọc thô, hoặc bộ điều tiết với các vật cứng như bàn chải nhỏ và bàn chải lớn.

LƯU Ý: Các bộ lọc sẽ mòn dần theo thời gian. Khuyến nghị nên có phụ tùng thay thế cho chúng.

PHỤ KIỆN TỰY CHỌN

⚠ THẬN TRỌNG: Các phụ kiện hoặc phụ tùng gắn thêm này được khuyến cáo sử dụng với dụng cụ Makita của bạn theo như quy định trong hướng dẫn này. Việc sử dụng bất cứ phụ kiện hoặc phụ tùng gắn thêm nào khác đều có thể gây ra rủi ro thương tích cho người. Chỉ sử dụng phụ kiện hoặc phụ tùng gắn thêm cho mục đích đã quy định sẵn của chúng.

Nếu bạn cần bất kỳ sự hỗ trợ nào để biết thêm chi tiết về các phụ tùng này, hãy hỏi Trung tâm Dịch vụ của Makita tại địa phương của bạn.

- Ống dẫn
- Ống hơi trước (22, 24, 38)
- Ống thẳng
- Ống nối nối dài
- Vòi hút góc
- Bàn chải tròn
- Bộ lọc bụi dạng bột, HEPA (cho bụi khô)
- Bộ điều tiết
- Bộ lọc thô
- Bộ phận vòi xả
- Ống cong
- Túi polyethylene
- Hộp bằng giấy
- Bộ khung đỡ
- Pin và bộ sạc chính hãng của Makita

LƯU Ý: Một số mục trong danh sách có thể được bao gồm trong gói dụng cụ làm phụ kiện tiêu chuẩn. Các mục này ở mỗi quốc gia có thể khác nhau.

คำเตือน

- เครื่องนี้ไม่ได้ออกแบบมาเพื่อให้ใช้งานโดยบุคคล (รวมถึงเด็ก) ที่มีความบกพร่องทางร่างกาย ประสาทสัมผัส หรือจิตใจ หรือขาดประสบการณ์และความรู้
- เด็กควรอยู่ในความดูแลเพื่อให้มั่นใจว่าจะไม่มาเล่นที่ตุตฝุ่น
- โปรดอ้างอิงบท “ข้อมูลจำเพาะ” สำหรับอ้างอิงประเภทแบตเตอรี่
- โปรดอ้างอิงส่วน “การติดตั้งหรือการถอดตลับแบตเตอรี่” สำหรับวิธีถอดหรือติดตั้งแบตเตอรี่
- เมื่อกำจัดตลับแบตเตอรี่ ให้ถอดตลับแบตเตอรี่ออกจากเครื่องมือและกำจัดในสถานที่ที่ปลอดภัย ปฏิบัติตามข้อบังคับเกี่ยวกับการกำจัดแบตเตอรี่ที่บังคับใช้ในท้องถิ่น
- หากไม่ใช้เครื่องมือเป็นระยะเวลานาน จะต้องถอดแบตเตอรี่ออกจากเครื่องมือ
- อย่าลัดวงจรตลับแบตเตอรี่
- โปรดอ้างอิงบท “การบำรุงรักษา” สำหรับรายละเอียดข้อควรระวังในระหว่างการซ่อมบำรุง

ข้อมูลจำเพาะ

รุ่น:	DVC867L	DVC157L
ประเภทของตัวกรองมาตรฐาน	ตัวกรองผง (สำหรับฝุ่นชนิดแห้ง)	
ปริมาณลมสูงสุด (ด้วย BL1850B, ท่อ $\Phi 38$ mm x 2.5 m)	2.4 m ³ /min	
สูญญากาศ (ด้วย BL1850B, ท่อ $\Phi 38$ mm x 2.5 m)	11 kPa	
ความจุที่สามารถเก็บได้	8 L	15 L
ขนาด (ยาว x กว้าง x สูง)	366 mm x 334 mm x 368 mm	366 mm x 334 mm x 421 mm
แรงดันไฟฟ้าสูงสุด	D.C. 36 V	
น้ำหนักสุทธิ	7.7 - 8.4 kg	8.0 - 8.6 kg
ระดับการป้องกัน	IPX4	

- เนื่องจากการค้นคว้าวิจัยและพัฒนาอย่างต่อเนื่อง ข้อมูลจำเพาะในเอกสารฉบับนี้อาจเปลี่ยนแปลงได้โดยไม่ต้องแจ้งให้ทราบล่วงหน้า
- ข้อมูลจำเพาะและตลับแบตเตอรี่อาจแตกต่างกันไปในแต่ละประเทศ
- น้ำหนักไม่รวมอุปกรณ์เสริมยกเว้นตลับแบตเตอรี่ น้ำหนักของเครื่องและตลับแบตเตอรี่รวมกันที่น้อยที่สุดและมากที่สุดแสดงอยู่ในตาราง

ดัลป์แบตเตอรี่และเครื่องชาร์จที่ใช้ได้

ดัลป์แบตเตอรี่	BL1815N / BL1820B / BL1830B / BL1840B / BL1850B / BL1860B
เครื่องชาร์จ	DC18RC / DC18RD / DC18RE / DC18SD / DC18SE / DC18SF / DC18SH

- ดัลป์แบตเตอรี่และเครื่องชาร์จบางรายการที่แสดงอยู่ด้านบนอาจไม่มีวางจำหน่ายขึ้นอยู่กับภูมิภาคที่คุณอาศัยอยู่

คำเตือน: ใช้ดัลป์แบตเตอรี่และเครื่องชาร์จที่ระบุไว้ข้างบนเท่านั้น การใช้ดัลป์แบตเตอรี่และเครื่องชาร์จประเภทอื่นอาจก่อให้เกิดความเสี่ยงที่จะได้รับบาดเจ็บและ/หรือเกิดไฟไหม้

สัญลักษณ์

ต่อไปนี้เป็นสัญลักษณ์ที่อาจใช้สำหรับอุปกรณ์ โปรดศึกษาความหมายของสัญลักษณ์ให้เข้าใจก่อนการใช้งาน



อ่านคู่มือการใช้งาน



ใช้ความระมัดระวังและความสนใจเป็นพิเศษ



คำเตือน: เครื่องดูดฝุ่นอาจมีฝุ่นชนิดอันตราย



อย่ายืนบนเครื่องดูดฝุ่นโดยเด็ดขาด



ฝุ่นประเภท L (เบา) เครื่องดูดฝุ่นสามารถดูดฝุ่นประเภท L ได้ กรุณาปฏิบัติตามข้อบังคับเกี่ยวกับฝุ่นและอาชีวอนามัยและความปลอดภัยของประเทศคุณ



สำหรับประเทศในสหภาพยุโรปเท่านั้น เนื่องจากในอุปกรณ์มีส่วนประกอบอันตราย ชยะจำพวกอุปกรณ์ไฟฟ้าและอิเล็กทรอนิกส์ แบตเตอรี่ และหม้อแบตเตอรี่จึงอาจส่งผลกระทบต่อสิ่งแวดล้อมและสุขภาพของมนุษย์ในเชิงลบ อย่างไรก็ตามการใช้ไฟฟ้าและอิเล็กทรอนิกส์หรือแบตเตอรี่ร่วมกับวัสดุเหลือทิ้งในครัวเรือน!

เพื่อให้เป็นไปตามกฎระเบียบของยุโรปว่าด้วยขยะจำพวกอุปกรณ์ไฟฟ้าและอิเล็กทรอนิกส์ และหม้อสะสมไฟฟ้าและแบตเตอรี่ รวมถึงการบังคับใช้ตามกฎหมายภายในประเทศ ควรมีการจัดเก็บขยะจำพวกอุปกรณ์ไฟฟ้า แบตเตอรี่ และหม้อสะสมไฟฟ้าแยกต่างหากและส่งไปยังจุดรับขยะต่างหากในเขตเทศบาลซึ่งมีการดำเนินการตามระเบียบว่าด้วยการดูแลสิ่งแวดล้อม

โดยระบุด้วยสัญลักษณ์เส้นคาดขวางรูปถังขยะแบบมีล้อไว้บนอุปกรณ์

จุดประสงค์การใช้งาน

เครื่องมือนี้มีจุดประสงค์เพื่อเก็บฝุ่นแห้ง เครื่องมือนี้เหมาะสำหรับการใช้งานในทางการค้า เช่น ในโรงแรม โรงเรียน โรงพยาบาล โรงงาน ร้านค้า สำนักงาน และธุรกิจให้เช่า

คำเตือนด้านความปลอดภัย

คำเตือนด้านความปลอดภัยของเครื่องดูดฝุ่น สะพายหลังไร้สาย

คำเตือน: ข้อควรจำ โปรดอ่านคำเตือนด้านความปลอดภัยและคำแนะนำทั้งหมดอย่างละเอียดก่อนใช้งาน การไม่ปฏิบัติตามคำเตือนและคำแนะนำดังกล่าวอาจส่งผลให้ไฟฟ้าช็อต ไฟไหม้ และ/หรือได้รับบาดเจ็บร้ายแรง

1. ก่อนใช้งาน ตรวจสอบให้แน่ใจว่าเครื่องดูดฝุ่นนี้จะถูกใช้งานโดยผู้ที่ได้รับการฝึกใช้เครื่องดูดฝุ่นนี้มาอย่างเพียงพอ
2. ก่อนใช้ ผู้ปฏิบัติงานควรได้รับข้อมูล คำแนะนำ และการฝึกอบรมการใช้เครื่องและวัสดุที่สามารถใช้เครื่องนี้ได้ รวมถึงวิธีการถอดชิ้นส่วนและการทิ้งวัสดุที่ถูกดูดอย่างปลอดภัย
3. อย่าใช้งานเครื่องดูดฝุ่นโดยไม่มิดตัวกรองที่ชำรุดทันที
4. หลีกเลี่ยงไม่ให้เปิดใช้งานโดยไม่ตั้งใจ ตรวจสอบให้แน่ใจว่าสวิทช์เป็น OFF ขณะใส่แบตเตอรี่
5. อย่าพยายามดูดวัสดุไวไฟ ดอกไม้ไฟ บุหรี่ที่จุดไฟอยู่ ซีอีอาร์อน เศษโลหะร้อน วัสดุมีคม เช่น มีดโกน เข็ม แก้วแตก หรือสิ่งทีคล้ายกันนี้
6. ห้ามใช้งานเครื่องดูดฝุ่นในบริเวณที่ใกล้กับแก๊สโซลีน แก๊ส สี กาว หรือวัตถุอื่นที่มีความเสี่ยงจะระเบิดสูง เนื่องจากสวิตช์จะเกิดประกายไฟขณะเปิดและปิด เช่นเดียวกันกับคอมพิวเตอร์ของมอเตอร์ในระหว่างการใช้งาน ซึ่งอาจส่งผลให้เกิดการระเบิดที่เป็นอันตรายได้
7. ห้ามดูดวัสดุเป็นพิษ วัสดุก่อกองระเบิด วัสดุติดไฟได้ หรือวัสดุอื่นๆ ที่เป็นอันตราย เช่น แร่ใยหิน สารหนู แบเรียม เบริลเลียม ตะกั่ว ยาฆ่าแมลง หรือวัสดุอื่นๆ ที่เป็นอันตรายต่อสุขภาพ
8. วางเครื่องดูดฝุ่นราบบนพื้นผิวส่วนเรียบเสมอเพื่อป้องกันไม่ให้ตกหรือเคลื่อนที่โดยไม่ตั้งใจ
9. ห้ามใช้งานเครื่องดูดฝุ่นนอกอาคารในขณะที่ฝุ่นตก
10. สำหรับพินแลนด์ เครื่องนี้ไม่สามารถใช้งานนอกบ้านในอุณหภูมิต่ำได้
11. อย่าใช้งานใกล้กับแหล่งความร้อน (เตาไฟ ฯลฯ)
12. หากไอเสียกลับเข้ามาในห้อง จำเป็นต้องใช้ตัวดักการเปลี่ยนแรงลมที่เหมาะสมในห้อง โปรดอ้างอิงระเบียบที่บังคับใช้ในประเทศ
13. อย่าปิดกั้นช่องระบายอากาศของช่องดูดเข้า/ช่องปล่อยลมออก/ช่องระบายความร้อน ช่องระบายอากาศเหล่านี้ช่วยทำให้มอเตอร์เย็นลง จึงควรระมัดระวังเพื่อหลีกเลี่ยงการปิดกั้นช่องดังกล่าว ไมเช่นนั้นมอเตอร์อาจไหม้เนื่องจากการระบายอากาศไม่เพียงพอ
14. รักษาที่ยืนและความสมดุลที่เหมาะสมตลอดเวลา
15. อย่าพับ ดึง หรือเหยียบบนท่อ
16. หยุดเครื่องดูดฝุ่นทันที หากคุณสังเกตเห็นประสิทธิภาพการทำงานของเครื่องลดลงหรือมีความผิดปกติใดๆ ระหว่างการปฏิบัติงาน
17. ถอดแบตเตอรี่ เมื่อไม่ได้ใช้ ก่อนการซ่อมแซม และเมื่อเปลี่ยนอุปกรณ์ต่างๆ
18. ทำความสะอาดและบำรุงรักษาเครื่องดูดฝุ่นทันทีหลังการใช้แต่ละครั้งเพื่อรักษาสภาพการทำงานของเครื่องที่ดีที่สุด
19. ดูแลรักษาเครื่องดูดฝุ่นด้วยความใส่ใจ โดยดูแลให้เครื่องดูดฝุ่นสะอาดอยู่เสมอเพื่อประสิทธิภาพการทำงานที่ดีที่สุดและปลอดภัยยิ่งขึ้น ปฏิบัติตามคำแนะนำสำหรับการเปลี่ยนอุปกรณ์เสริม ดูแลเมื่อจับให้ห่างสะอาด และไม่มีน้ำมันและจาระบีเปื้อน
20. ตรวจสอบส่วนที่เสียหาย ก่อนใช้งานเครื่องดูดฝุ่นในครั้งต่อไป ควรตรวจสอบที่ป้องกันหรือชิ้นส่วนอื่นๆ ที่ชำรุดอย่างละเอียดเพื่อให้แน่ใจว่าส่วนต่างๆ จะทำงานได้อย่างเหมาะสมและทำงานได้ตามฟังก์ชันที่ระบุไว้ ตรวจสอบการวางแนวของชิ้นส่วนเคลื่อนที่ การติดตั้งของชิ้นส่วนเคลื่อนที่ ความเสียหายของชิ้นส่วน การติดตั้ง และสภาพอื่นๆ ที่อาจส่งผลกระทบต่อการทำงานของเครื่อง ควรนำที่ป้องกันหรือชิ้นส่วนอื่นๆ ที่ชำรุดเข้ารับการซ่อมแซมหรือเปลี่ยนใหม่อย่างเหมาะสมโดยศูนย์บริการที่ได้รับการรับรองหรือที่อื่นๆ ที่ระบุไว้ในคู่มือการใช้งานนี้ ให้ศูนย์บริการที่ได้รับการรับรองเป็นผู้เปลี่ยนสวิตช์ที่ชำรุด อย่าใช้งานเครื่องดูดฝุ่นหากสวิตช์ไม่ปิดหรือเปิดอย่างเหมาะสม
21. หากผู้ซื้อต้องการทำการบำรุงรักษา ต้องถอดแยกทำความสะอาด และทำการบำรุงรักษาเครื่องเท่าที่สามารถทำได้โดยเหมาะสม โดยไม่ก่อให้เกิดความเสี่ยงต่อพนักงานบำรุงรักษาและผู้อื่น
22. เครื่องนี้ควรได้รับการตรวจสอบทางเทคนิคอย่างน้อยปีละครั้ง โดยผู้ผลิตหรือบุคคลที่ผ่านการอบรมมาแล้ว รายการที่ตรวจสอบ เช่น การตรวจสอบความเสียหายของตัวกรอง การรั่วไหลของอากาศของเครื่อง และฟังก์ชันการทำงานของกลไกควบคุมที่เหมาะสม เป็นต้น

23. เมื่อทำการบำรุงรักษาหรือซ่อมแซม สิ่งปนเปื้อนที่ไม่สามารถทำความสะอาดได้ตามที่ต้องการทั้งหมดจะต้องถูกกำจัดทิ้ง โดยจะต้องทิ้งในถุงที่น้ำหรือก๊าซผ่านเข้าไม่ได้ตามข้อบังคับปัจจุบันว่าด้วยการกำจัดของเสียดังกล่าว
24. อะไหล่ทดแทน เมื่อบำรุงรักษา ให้ใช้อะไหล่ทดแทนที่เหมือนกันกับของเดิมเท่านั้น
25. การเก็บรักษาเครื่องดูดฝุ่นที่ไม่ได้ใช้งาน เมื่อไม่ใช้งาน ควรเก็บเครื่องดูดฝุ่นไว้ในที่ร่ม
26. ใช้เครื่องดูดฝุ่นด้วยความระมัดระวัง การใช้เครื่องดูดฝุ่นอย่างรุนแรงอาจทำให้เครื่องดูดฝุ่นที่แม้จะผลิตขึ้นอย่างแข็งแรงที่สุดแล้วเกิดความเสียหายได้
27. อย่าพยายามทำความสะอาดพื้นผิวภายนอกและภายในของเครื่องด้วยเบนซิน ทินเนอร์ หรือสารเคมีสำหรับทำความสะอาด เนื่องจากอาจทำให้เกิดการรั่วหรือเปลี่ยนสีได้
28. อย่าใช้เครื่องดูดฝุ่นในพื้นที่ที่มีไอระเหยที่ไวไฟเกิดการระเบิดได้ หรือเป็นพิษซึ่งถูกปล่อยออกจากสีที่มีส่วนผสมหลักเป็นน้ำมัน ทินเนอร์ผสมสี แก๊สโซลีน หรือสารป้องกันแมลงบางชนิด ฯลฯ หรือในบริเวณที่มีฝุ่นที่ติดไฟได้
29. อย่าใช้งานเครื่องดูดฝุ่นหรือเครื่องมืออื่นๆ ขณะมีเมฆยาเสพติดหรือสุรา
30. ตามกฎพื้นฐานด้านความปลอดภัย ให้ใช้แว่นตากันลมนิรภัยหรือแว่นตานิรภัยที่มีเกราะป้องกันด้านข้าง
31. และใช้หน้ากากป้องกันฝุ่นในสภาวะการทำงานที่เต็มไปด้วยฝุ่น
32. เครื่องนี้ไม่ได้ออกแบบมาเพื่อให้ใช้งานโดยบุคคล (รวมถึงเด็ก) ที่มีความบกพร่องทางร่างกาย ประสาทสัมผัส หรือจิตใจ หรือขาดประสบการณ์และความรู้
33. เด็กควรอยู่ในความดูแลเพื่อให้มั่นใจว่าจะไม่มาเล่นที่ดูดฝุ่น
34. ห้ามจับแบตเตอรี่และเครื่องดูดฝุ่นด้วยมือเปียก
35. ใช้ความระมัดระวังให้มากเมื่อทำความสะอาดบันได
36. อย่าใช้เครื่องดูดฝุ่นเป็นม้านั่งหรือม้านั่งทำงาน เนื่องจากเครื่องอาจล้มลงมาและทำให้ได้รับบาดเจ็บได้

การใช้งานและดูแลเครื่องมือที่ใช้แบตเตอรี่

1. ชาร์จไฟใหม่ด้วยเครื่องชาร์จที่ระบุโดยผู้ผลิตเท่านั้น เครื่องชาร์จที่เหมาะสมสำหรับชุดแบตเตอรี่ประเภทหนึ่ง อาจเสี่ยงที่จะเกิดไฟไหม้หากนำไปใช้กับชุดแบตเตอรี่อีกประเภทหนึ่ง
2. ใช้เครื่องมือไฟฟ้ากับชุดแบตเตอรี่ที่กำหนดมาโดยเฉพาะเท่านั้น การใส่ชุดแบตเตอรี่ประเภทอื่นอาจทำให้เสี่ยงที่จะได้รับบาดเจ็บและเกิดไฟไหม้
3. เมื่อไม่ใช้งานชุดแบตเตอรี่ ให้เก็บห่างจากวัตถุที่เป็นโลหะอื่นๆ เช่น คลิปหนีบกระดาษ เหรียญ กุญแจ กรรไกรตัดเล็บ สกรู หรือวัตถุที่เป็นโลหะขนาดเล็กอื่นๆ ที่สามารถเชื่อมต่อกับขั้วหนึ่งกับอีกขั้วหนึ่งได้ การลัดวงจรขั้วแบตเตอรี่อาจทำให้ร้อนจัดหรือเกิดไฟไหม้
4. ในกรณีที่ใช้งานไม่ถูกต้อง อาจมีของเหลวไหลออกจากแบตเตอรี่ ให้หลีกเลี่ยงการสัมผัส หากสัมผัสโดนของเหลวโดยไม่ได้ตั้งใจ ให้ล้างออกด้วยน้ำ หากของเหลวกระเด็นเข้าตา ให้รีบไปพบแพทย์ ของเหลวที่ไหลออกจากแบตเตอรี่อาจทำให้ผิวหนังระคายเคืองหรือไหม้
5. ห้ามใช้ชุดแบตเตอรี่หรือเครื่องมือที่ชาร์จหรือมีการแก้ไข แบตเตอรี่ที่เสียหายหรือมีการแก้ไขอาจทำให้เกิดสิ่งที่คาดไม่ถึงได้ เช่น ไฟไหม้ ระเบิด หรือเสี่ยงต่อการบาดเจ็บ
6. ห้ามให้ชุดแบตเตอรี่อยู่ใกล้ไฟ หรือบริเวณที่มีอุณหภูมิสูงเกิน หากโดนไฟ หรืออุณหภูมิสูงเกิน 130 °C อาจก่อให้เกิดการระเบิดได้
7. กรุณาปฏิบัติตามคำแนะนำสำหรับการชาร์จไฟ และห้ามชาร์จแบตเตอรี่หรือเครื่องมือในบริเวณที่มีอุณหภูมินอกเหนือไปจากที่ระบุในคำแนะนำ การชาร์จไฟที่ไม่เหมาะสม หรืออุณหภูมินอกเหนือไปจากช่วงอุณหภูมิที่ระบุในคำแนะนำอาจทำให้แบตเตอรี่เสียหายและเป็นการเพิ่มความเสี่ยงในการเกิดไฟไหม้

ปฏิบัติตามคำแนะนำเหล่านี้

คำเตือน: อย่าให้ความไม่ระมัดระวังหรือความคุ้นเคยกับผลิตภัณฑ์ (จากการใช้งานซ้ำหลายครั้ง) อยู่เหนือการปฏิบัติตามกฎเกณฑ์ด้านความปลอดภัยในการใช้งานผลิตภัณฑ์อย่างเคร่งครัด การใช้งานอย่างไม่เหมาะสม หรือการไม่ปฏิบัติตามกฎเกณฑ์ด้านความปลอดภัยในคู่มือการใช้งานนี้อาจทำให้ได้รับบาดเจ็บร้ายแรง

คำแนะนำเพื่อความปลอดภัยที่สำคัญสำหรับ ดัลล์แบตเตอรี่

1. ก่อนใช้งานดัลล์แบตเตอรี่ให้อ่านคำแนะนำและ
เครื่องหมายเตือนทั้งหมดบน (1) เครื่องชาร์จ
แบตเตอรี่ (2) แบตเตอรี่ และ (3) ตัวผลิตภัณฑ์ที่ใช้
แบตเตอรี่
2. อย่าถอดแยกชิ้นส่วนหรือทำการดัดแปลงดัลล์
แบตเตอรี่ เนื่องจากอาจทำให้เกิดไฟไหม้ ความร้อนที่
สูงเกินไป หรือระเบิดได้
3. หากระยะเวลาที่เครื่องทำงานสั้นเกินไป ให้หยุดใช้งาน
ทันที เนื่องจากอาจมีความเสี่ยงที่จะร้อนจัดไหม้หรือ
ระเบิดได้
4. หากสารละลายอิเล็กโทรไลต์กระเด็นเข้าตา ให้ล้าง
ออกด้วยน้ำเปล่าและรีบไปพบแพทย์ทันที เนื่องจาก
อาจทำให้ตาบอด
5. ห้ามลัดวงจรดัลล์แบตเตอรี่:
 - (1) ห้ามแตะขั้วกับวัตถุที่เป็นสื่อไฟฟ้าใดๆ
 - (2) หลีกเลี่ยงการเก็บดัลล์แบตเตอรี่ไว้ในภาชนะร่วมกับวัตถุที่เป็นโลหะ เช่น กรรไกรตัดเล็บ เหรียญ
 ฯลฯ
 - (3) อย่าให้ดัลล์แบตเตอรี่ถูกน้ำหรือฝน
แบตเตอรี่ลัดวงจรอาจทำให้เกิดการไหลของกระแส
ไฟฟ้า ร้อนจัดไหม้หรือเสียหายได้
6. ห้ามเก็บและใช้เครื่องมือและดัลล์แบตเตอรี่ไว้ในสถานที่
ที่มีอุณหภูมิสูงถึงหรือเกิน 50 °C (122 °F)
7. ห้ามเผาดัลล์แบตเตอรี่ทิ้ง แม้ว่าแบตเตอรี่จะเสียหาย
จนใช้การไม่ได้หรือเสื่อมสภาพแล้ว ดัลล์แบตเตอรี่
อาจจะระเบิดในกองไฟ
8. อย่าตอกตะปู ตัด บด ขั้ว หรือทำดัลล์แบตเตอรี่
หล่นพื้น หรือกระแทกดัลล์แบตเตอรี่กับวัตถุของแข็ง
การกระทำดังกล่าวอาจส่งผลให้เกิดไฟไหม้ ความร้อน
ที่สูงเกินไป หรือระเบิดได้
9. ห้ามใช้แบตเตอรี่ที่เสียหาย
10. แบตเตอรี่ลิเทียมไอออนที่มีมาให้ในนั้นเป็นไปตามข้อ
กำหนดของ Dangerous Goods Legislation
สำหรับการขนส่งเพื่อการพาณิชย์ เช่น โดยบุคคลที่
สาม ตัวแทนขนส่งสินค้า จะต้องตรวจสอบข้อกำหนด
พิเศษในด้านการบรรจุหีบห่อหรือการติดป้ายสินค้า
ในการเตรียมสินค้าที่จะขนส่ง ให้ปรึกษาผู้เชี่ยวชาญ
ด้านวัตถุอันตราย โปรดตรวจสอบข้อกำหนดใน
ประเทศที่อาจมีรายละเอียดอื่นๆ เพิ่มเติม
ให้ติดแถบหรือปิดหน้าสัมผัสและห่อแบตเตอรี่ใน
ลักษณะที่แบตเตอรี่จะไม่เคลื่อนที่ไปมาในหีบห่อ

11. เมื่อกำจัดดัลล์แบตเตอรี่ ให้ถอดดัลล์แบตเตอรี่ออก
จากเครื่องมือและกำจัดในสถานที่ที่ปลอดภัย ปฏิบัติ
ตามข้อบังคับในท้องถิ่นเกี่ยวกับการกำจัดแบตเตอรี่
12. ใช้แบตเตอรี่กับผลิตภัณฑ์ที่ระบุโดย Makita เท่านั้น
การติดตั้งแบตเตอรี่ในผลิตภัณฑ์ที่ไม่ใช่ตามที่ระบุอาจ
ทำให้เกิดไฟไหม้ ความร้อนสูง ระเบิด หรืออิเล็กโทร
ไลต์รั่วไหลได้
13. หากไม่ใช่เครื่องมือเป็นระยะเวลานาน จะต้องถอด
แบตเตอรี่ออกจากเครื่องมือ
14. ในระหว่างและหลังการใช้งาน ดัลล์แบตเตอรี่อาจร้อน
ซึ่งอาจลวกผิวหรือทำให้ผิวไหม้ที่อุณหภูมิเท่าได้ โปรด
ระมัดระวังในการจัดการกับแบตเตอรี่ที่ร้อน
15. อย่าสัมผัสขั้วของเครื่องมือทันทีหลังจากการใช้งาน
เนื่องจากอาจมีความร้อนพอที่จะทำให้ผิวไหม้ได้
16. อย่าปล่อยให้เศษวัสดุ ฝุ่นผง หรือดินเข้าไปติดอยู่ใน
ขั้ว รู และร่องของดัลล์แบตเตอรี่ เนื่องจากอาจทำให้
เครื่องมือหรือดัลล์แบตเตอรี่มีประสิทธิภาพลดลงหรือ
เสียหายได้
17. หากเครื่องมือไม่รองรับสายไฟแรงดันสูง อย่าใช้ดัลล์
แบตเตอรี่ใกล้กับสายไฟแรงดันสูง เนื่องจากเครื่องมือ
หรือดัลล์แบตเตอรี่อาจทำงานผิดปกติหรือเสียหายได้
18. เก็บแบตเตอรี่ให้ห่างจากเด็ก

ปฏิบัติตามคำแนะนำเหล่านี้

⚠ ข้อควรระวัง: ใช้แบตเตอรี่ของแท้จาก Makita เท่านั้น
การใช้แบตเตอรี่ Makita ที่ไม่แท้ หรือแบตเตอรี่ที่ถูก
เปลี่ยน อาจทำให้แบตเตอรี่ระเบิด ก่อให้เกิดเพลิงลุกไหม้
การบาดเจ็บ และความเสียหายได้ และจะทำให้การรับ
ประกันของ Makita สำหรับเครื่องมือและแท่นชาร์จของ
Makita เป็นโมฆะด้วย

เคล็ดลับในการรักษาอายุการใช้งานของ แบตเตอรี่ให้ยาวนานที่สุด

1. ชาร์จดัลล์แบตเตอรี่ก่อนที่ไฟจะหมด หยุดการใช้
งานแล้วชาร์จประจุไฟฟ้าใหม่ทุกครั้งเมื่อคุณรู้สึกว่า
อุปกรณ์มีกำลังลดลง
2. อย่าชาร์จดัลล์แบตเตอรี่ที่มีไฟเต็มแล้ว การชาร์จ
ประจุไฟฟ้ามากเกินไปอาจจะทำให้อายุการใช้งานของ
ดัลล์แบตเตอรี่สั้นลง
3. ชาร์จประจุไฟฟ้าดัลล์แบตเตอรี่ในห้องที่มีอุณหภูมิ
ระหว่าง 10 °C - 40 °C ปล่อยให้ดัลล์แบตเตอรี่เย็น
ลงก่อนที่จะชาร์จไฟ
4. เมื่อไม่ใช้ดัลล์แบตเตอรี่ ให้ถอดออกจากเครื่องมือหรือ
เครื่องชาร์จ

5. ชาร์จไฟตลับแบตเตอรี่ของคุณไม่ต้องการใช้เป็นเวลา นาน (เกินกว่าหกเดือน)

คำแนะนำด้านความปลอดภัยที่สำคัญสำหรับ อุปกรณ์รับส่งสัญญาณไร้สาย

1. อย่าถอดแยกชิ้นส่วนหรือปรับเปลี่ยนอุปกรณ์รับส่งสัญญาณไร้สาย
2. เก็บอุปกรณ์รับส่งสัญญาณไร้สายให้ห่างจากเด็กเล็ก หากเด็กกลืนอุปกรณ์เข้าไปโดยบังเอิญ โปรดพาไปพบแพทย์ทันที
3. ใช้อุปกรณ์รับส่งสัญญาณไร้สายกับเครื่องมือของ Makita เท่านั้น
4. อย่าให้อุปกรณ์รับส่งสัญญาณไร้สายถูกฝนหรืออยู่ในสภาพเปียกชื้น
5. อย่าใช้อุปกรณ์รับส่งสัญญาณไร้สายในสถานที่ที่มีอุณหภูมิสูงกว่า 50°C
6. อย่าใช้งานอุปกรณ์รับส่งสัญญาณไร้สายในสถานที่ที่มีเครื่องมือทางการแพทย์อิเล็กทรอนิกส์ เช่น เครื่องกระตุ้น การเต้นของหัวใจ เป็นต้น
7. อย่าใช้งานอุปกรณ์รับส่งสัญญาณไร้สายในสถานที่ที่มีอุปกรณ์อัตโนมัติอยู่ใกล้ๆ เนื่องจากอุปกรณ์อัตโนมัติ อาจทำงานผิดปกติหรือเกิดความผิดพลาดได้
8. อย่าใช้อุปกรณ์ไร้สายในสถานที่ที่มีอุณหภูมิสูง หรือสถานที่ที่อาจเกิดไฟฟ้าสถิต หรือสัญญาณรบกวนทางไฟฟ้า
9. อุปกรณ์รับส่งสัญญาณไร้สายอาจสร้างสนามแม่เหล็ก (EMF) แต่ไม่เป็นอันตรายต่อผู้ใช้
10. อุปกรณ์รับส่งสัญญาณไร้สายเป็นเครื่องมือที่มีความแม่นยำ ระวังอย่าทำอุปกรณ์รับส่งสัญญาณไร้สาย ตกหล่นหรือกระทบกระแทก
11. หลีกเลี่ยงการสัมผัสขั้วต่อของอุปกรณ์รับส่งสัญญาณไร้สายด้วยมือเปล่าหรือวัสดุที่จากโลหะ
12. นำแบตเตอรี่ออกจากผลิตภัณฑ์เสมอเมื่อติดตั้ง อุปกรณ์รับส่งสัญญาณไร้สายบนผลิตภัณฑ์
13. เมื่อเปิดฝาปิดช่องเสียบ โปรดหลีกเลี่ยงสถานที่ที่ฝุ่น และน้ำอาจเข้าไปในช่องเสียบได้ รักษาช่องทางเข้าช่องเสียบให้สะอาดอยู่เสมอ
14. ใส่อุปกรณ์รับส่งสัญญาณไร้สายในทิศทางที่ต้องเสมอ
15. อย่ากดปุ่มสั่งงานด้วยสัญญาณไร้สายบนอุปกรณ์รับส่งสัญญาณไร้สายแรงจนเกินไป และ/หรือ อย่ากดปุ่มด้วยวัตถุที่มีขอบคม
16. ปิดฝาปิดช่องเสียบขณะใช้งานเสมอ
17. ยำนำอุปกรณ์รับส่งสัญญาณไร้สายออกจากช่องเสียบในขณะที่เครื่องมือยังเชื่อมต่อกับไฟฟ้าอยู่ มิฉะนั้นอาจทำให้อุปกรณ์รับส่งสัญญาณไร้สายทำงานผิดปกติได้
18. อย่าแคะสติ๊กเกอร์บนอุปกรณ์รับส่งสัญญาณไร้สายออก
19. อย่าแคะสติ๊กเกอร์บนอุปกรณ์รับส่งสัญญาณไร้สาย
20. อย่าวางอุปกรณ์รับส่งสัญญาณไร้สายไว้ในสถานที่ที่อาจเกิดไฟฟ้าสถิตหรือสัญญาณรบกวนทางไฟฟ้า
21. อย่าวางอุปกรณ์รับส่งสัญญาณไร้สายไว้ในสถานที่ที่อาจเกิดความร้อนสูง เช่น รถยนต์ที่จอดไว้กลางแจ้ง
22. อย่าวางอุปกรณ์รับส่งสัญญาณไร้สายไว้ในสถานที่ที่เต็มไปด้วยฝุ่นหรือผง หรือในสถานที่ที่อาจเกิดก๊าซกัดกร่อน
23. การเปลี่ยนแปลงของอุณหภูมิอย่างกะทันหันอาจทำให้อุปกรณ์รับส่งสัญญาณไร้สายชื้นด้วยหยดน้ำค้างได้ อย่าใช้อุปกรณ์รับส่งสัญญาณไร้สายจนกว่าน้ำค้างจะแห้งสนิท
24. เมื่อต้องการทำความสะอาดอุปกรณ์รับส่งสัญญาณไร้สาย ให้ใช้ผ้าแห้งที่อ่อนนุ่มค่อยๆ เช็ดอย่างเบาเมื่ออย่าใช้เบนซิน ทินเนอร์ จาระบีที่นำกระแสไฟฟ้า หรือที่คล้ายกันนี้
25. เมื่อต้องการเก็บอุปกรณ์รับส่งสัญญาณไร้สาย ให้เก็บไว้ในกล่องที่ให้มาหรือในภาชนะที่ปลอดภัยไฟฟาสถิต
26. อย่าใส่อุปกรณ์อื่นนอกจากอุปกรณ์รับส่งสัญญาณไร้สายของ Makita เข้าไปในช่องเสียบบนเครื่องมือ
27. อย่าใช้เครื่องมือที่ฝาปิดของช่องเสียบชำรุด น้ำ ฝุ่น และสิ่งสกปรกที่เข้าไปในช่องเสียบอาจทำให้เกิดการทำงานผิดปกติได้
28. อย่าดึงและ/หรือบิดฝาปิดช่องเสียบมากเกินไปจนเกินไป เก็บฝาปิดไว้หากฝาปิดหลุดออกจากเครื่องมือ
29. เปลี่ยนฝาปิดช่องเสียบใหม่หากสูญหายหรือชำรุด

ปฏิบัติตามคำแนะนำเหล่านี้

คำอธิบายชิ้นส่วนต่างๆ

- ▶ **หมายเลข 1:** 1. ฝาครอบถัง 2. ตัวกรองผง (HEPA)
3. ตัวหน่วงการสะเทือน 4. แผ่นกรอง
ชั้นต้น 5. ถัง

คำอธิบายการทำงาน

⚠ ข้อควรระวัง: ตรวจสอบให้แน่ใจว่าได้ปิดสวิทช์เครื่องมือและถอดตัลัมแบตเตอรี่ออกก่อนปรับตั้งหรือตรวจสอบการทำงานของเครื่องมือ

การใส่หรือการถอดตัลัมแบตเตอรี่

⚠ ข้อควรระวัง: ปิดสวิทช์เครื่องมือก่อนทำการติดตั้งหรือการถอดตัลัมแบตเตอรี่เสมอ

⚠ ข้อควรระวัง: จับเครื่องดูดฝุ่นและตัลัมแบตเตอรี่ให้แน่นเมื่อทำการติดตั้งหรือถอดตัลัมแบตเตอรี่ หากไม่จับเครื่องดูดฝุ่นและตัลัมแบตเตอรี่ให้แน่นอาจทำให้เครื่องหรือตัลัมแบตเตอรี่ลื่นหลุดออกจากมือ และส่งผลให้เกิดความเสียหายกับเครื่องดูดฝุ่นและตัลัมแบตเตอรี่ รวมถึงทำให้ได้รับบาดเจ็บได้

⚠ ข้อควรระวัง: ระวังอย่าให้หนิหน้าขณะเปิดเปิดหรือปิดฝาครอบแบตเตอรี่ มิฉะนั้น อาจก่อให้เกิดการบาดเจ็บได้

การติดตั้งตัลัมแบตเตอรี่ ให้ปล่อยล็อกก่อน จากนั้นให้เปิดฝาครอบแบตเตอรี่ หลังจากนั้นให้ใส่ตัลัมแบตเตอรี่เข้าไป

▶ **หมายเลข 2:** 1. ล็อก 2. ฝาครอบแบตเตอรี่
จัดแนวสันบนตัลัมแบตเตอรี่ให้ตรงกับร่องบนตัวเครื่องมือแล้วเลื่อนตัลัมแบตเตอรี่เข้าที่ ติดตั้งตัลัมแบตเตอรี่เข้าจนสุดจนกระทั่งได้ยินเสียงคลิกล็อกเข้าที่ จากนั้นล็อกฝาครอบแบตเตอรี่

▶ **หมายเลข 3:** 1. ตัลัมแบตเตอรี่

และเมื่อต้องการถอดตัลัมแบตเตอรี่ ให้เลื่อนตัลัมออกจากเครื่องมือในขณะที่เลื่อนปุ่มที่อยู่ด้านหน้าของตัลัมไปด้วย

⚠ ข้อควรระวัง: ติดตั้งตัลัมแบตเตอรี่เข้าไปจนสุดจนกระทั่งไม่เห็นไฟเตือนสีแดงเสมอ ไม่เช่นนั้นตัลัมแบตเตอรี่อาจหล่นออกจากเครื่องดูดฝุ่นโดยไม่ตั้งใจ ซึ่งส่งผลให้คุณหรือผู้ที่อยู่รอบตัวคุณได้รับบาดเจ็บได้

⚠ ข้อควรระวัง: อย่าฝืนติดตั้งตัลัมแบตเตอรี่โดยใช้แรงมากเกินไป หากตัลัมแบตเตอรี่ไม่เลื่อนเข้าไปโดยง่ายแสดงว่าใส่ไม่ถูกต้อง

หมายเหตุ: เครื่องมือจะไม่ทำงานเมื่อใช้ตัลัมแบตเตอรี่เพียงก้อนเดียว

การระบุระดับพลังงานแบตเตอรี่ที่เหลืออยู่

สำหรับตัลัมแบตเตอรี่ที่มีตัวแสดงสถานะเท่านั้น

▶ **หมายเลข 4:** 1. ไฟแสดงสถานะ 2. ปุ่มตรวจสอบ

กดปุ่ม ตรวจสอบ บนตัลัมแบตเตอรี่เพื่อดูปริมาณแบตเตอรี่ที่เหลือ ไฟแสดงสถานะจะสว่างขึ้นเป็นเวลาสองสามวินาที

ไฟแสดงสถานะ			แบตเตอรี่ที่เหลือ
ไฟสว่าง	ดับ	กะพริบ	
■ ■ ■ ■	■ ■ ■ ■	■ ■ ■ ■	75% ถึง 100%
■ ■ ■ ■	■ ■ ■ ■	■ ■ ■ ■	50% ถึง 75%
■ ■ ■ ■	■ ■ ■ ■	■ ■ ■ ■	25% ถึง 50%
■ ■ ■ ■	■ ■ ■ ■	■ ■ ■ ■	0% ถึง 25%
■ ■ ■ ■	■ ■ ■ ■	■ ■ ■ ■	ชาร์จไฟแบตเตอรี่
■ ■ ■ ■	■ ■ ■ ■	■ ■ ■ ■	แบตเตอรี่อาจจะเสีย

หมายเหตุ: ขึ้นอยู่กับสภาพการใช้งานและอุณหภูมิโดยรอบ การแสดงสถานะอาจจะแตกต่างจากปริมาณแบตเตอรี่จริงเล็กน้อย




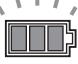

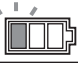
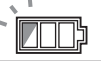
หมายเหตุ: ไฟแสดงสถานะดวงแรก (ซ้ายสุด) จะกะพริบเมื่อระบบป้องกันแบตเตอรี่ทำงาน

การระบุระดับพลังงานแบตเตอรี่ที่เหลืออยู่

▶ **หมายเลข 5:** 1. ไฟแสดงสถานะแบตเตอรี่ 2. ปุ่มตรวจสอบ

▶ **หมายเลข 6**

กดปุ่ม ตรวจสอบ เพื่อดูปริมาณแบตเตอรี่ที่เหลือ ไฟแสดงสถานะแบตเตอรี่จะตรงตามแบตเตอรี่แต่ละลูก

สถานะของไฟแสดงสถานะแบตเตอรี่			ความจุแบตเตอรี่ที่เหลืออยู่
 สว่าง	 ดับ	 กระพริบ	
			50% ถึง 100%
			20% ถึง 50%
			0% ถึง 20%
			ชาร์จแบตเตอรี่

หมายเหตุ: ในระหว่างที่เครื่องดูดฝุ่นถูกเปิดไว้โดยที่สวิตช์เตรียมพร้อมถูกตั้งไว้ที่ "AUTO" ไฟแสดงสถานะแบตเตอรี่จะไม่ทำงาน




ระบบป้องกันเครื่องมือ/แบตเตอรี่

เครื่องมือมีระบบป้องกันเครื่องมือ/แบตเตอรี่ ระบบนี้จะตัดไฟที่ส่งไปยังมอเตอร์โดยอัตโนมัติเพื่อยืดอายุการใช้งาน เครื่องมือและแบตเตอรี่ เครื่องมือจะหยุดทำงานระหว่างการใช้งานโดยอัตโนมัติ หากเครื่องมือหรือแบตเตอรี่อยู่ภายใต้สถานการณ์ต่อไปนี้

การป้องกันโอเวอร์โหลด

เมื่อเครื่องมือทำงานในรูปแบบที่อาจจะดึงพลังงานไฟฟ้าสูงเกินไป เครื่องมือจะหยุดโดยอัตโนมัติโดยไม่มีแรงจูงใจเตือนใดๆ ในกรณีนี้ ให้ปิดเครื่องมือและหยุดการใช้งานในลักษณะที่อาจทำให้เครื่องมือทำงานหนักเกินไป แล้วเปิดเครื่องมือเพื่อเริ่มทำงานอีกครั้ง

การป้องกันความร้อนสูงเกิน

 สว่าง	 กระพริบ
	

เมื่อเครื่องมือมีความร้อนสูงเกินไป เครื่องมือจะหยุดทำงานโดยอัตโนมัติและไฟแสดงสถานะแบตเตอรี่จะกระพริบประมาณ 60 วินาที ในกรณีนี้ บ่อยๆ ให้เครื่องมือเย็นลงก่อนที่จะเปิดเครื่องมืออีกครั้ง

การป้องกันไฟหมด

เมื่อแบตเตอรี่มีระดับพลังงานต่ำ เครื่องมือจะหยุดโดยอัตโนมัติ หากผลิตภัณฑ์ไม่ทำงานแม้ว่าจะเปิดสวิตช์แล้ว ให้ถอดแบตเตอรี่ออกจากเครื่องมือและชาร์จแบตเตอรี่

การทำงานของสวิตช์



- **หมายเลข 7:** 1. สวิตช์เตรียมพร้อม 2. ปุ่มไฟหลัก 3. ปุ่มหมุนปรับแรงดูด

วิธีเปิดเครื่องดูดฝุ่น:

1. ตั้งสวิตช์เตรียมพร้อมไปที่ด้าน "I" เครื่องดูดฝุ่นจะอยู่ในสถานะเตรียมพร้อม
2. กดปุ่มไฟหลัก

เมื่อต้องการทำให้เครื่องดูดฝุ่นกลับไปอยู่ในโหมดเตรียมพร้อม ให้กดปุ่มไฟหลักอีกครั้ง

เมื่อต้องการปิดเครื่องดูดฝุ่น ให้ตั้งสวิตช์เตรียมพร้อมไปที่ด้าน "O"

สามารถปรับแรงดูดได้ตามงานที่คุณต้องการ สามารถเพิ่มแรงดูดโดยปรับปุ่มหมุนปรับแรงดูดจากหมายเลข  ไปหมายเลข 

ข้อสังเกต: ตั้งสวิตช์เตรียมพร้อมไปที่ด้าน "O" เสมอ เมื่อไม่ใช่เครื่องดูดฝุ่นเป็นเวลานาน เครื่องดูดฝุ่นยังคงใช้ไฟอยู่ระหว่างสถานะเตรียมพร้อม

การล็อกและปลดล็อกล้อเลื่อน

- **หมายเลข 8:** 1. ล้อเลื่อน 2. ก้านสตอปเปอร์ 3. ตำแหน่ง FREE 4. ตำแหน่ง LOCK

การล็อกล้อเลื่อนทำให้สะดวกในการเก็บเครื่องดูดฝุ่น การหยุดการทำงานระหว่างทาง และการทำให้เครื่องดูดฝุ่นหยุดนิ่งอยู่กับที่

เมื่อต้องการใช้งานสตอปเปอร์ให้ปรับก้านด้วยมือ

เมื่อต้องการล็อกล้อเลื่อนด้วยสตอปเปอร์ ให้โยกก้านลงมาด้านล่างแล้วล้อเลื่อนจะไม่สามารถหมุนได้อีก การปลดล็อกล้อเลื่อน ให้ยกก้านสตอปเปอร์ขึ้น

หมายเหตุ: เมื่อต้องการเคลื่อนย้ายเครื่องดูดฝุ่น ตรวจสอบให้แน่ใจว่าล้อเลื่อนไม่ได้ถูกล็อกอยู่ การเคลื่อนย้ายเครื่องดูดฝุ่นในขณะที่ล้อเลื่อนยังอยู่ในตำแหน่งล็อกอาจทำให้ล้อเลื่อนชำรุดได้

มือจับสำหรับการยก

เมื่อยกเครื่องดูดฝุ่น ให้ยกโดยจับที่มือจับที่อยู่ด้านบนของเครื่อง สามารถถอดมือจับที่อยู่ด้านบนเครื่องออกได้เมื่อไม่ต้องการใช้งาน

- **หมายเลข 9**

การประกอบ

⚠️ ข้อควรระวัง: ตรวจสอบให้แน่ใจว่าได้ปิดสวิตช์เครื่องมือและถอดด้ามแบตเตอรี่ออกก่อนดำเนินการใดๆ กับเครื่องมือ

⚠️ ข้อควรระวัง: สวมใส่หน้ากากกันฝุ่นระหว่างการประกอบหรือการบำรุงรักษา

ติดตั้งตัวกรองผง (HEPA) และตัวกรองชั้นต้น (สำหรับฝุ่นชนิดแห้ง)

⚠️ ข้อควรระวัง: อย่าดูดน้ำ หรือของเหลวอื่นๆ หรือฝุ่นชนิดเปียก เมื่อใช้ตัวกรองผง เพราะอาจทำให้ตัวกรองผงเสียหายได้

วิธีใช้งานตัวกรองผง:

1. วางแผ่นกรองชั้นต้นลงในถังโดยจัดให้ตรงกับเครื่องหมายตำแหน่งติดตั้ง
 2. ติดตั้งตัวหุ้มการสะท้อนบนที่กรองผง จากนั้นวางลงในแผ่นกรองชั้นต้นโดยจัดให้ตรงกับเครื่องหมายตำแหน่งติดตั้ง
 3. ติดตั้งฝาครอบถังแล้วล็อก
- ▶ **หมายเลข 10:** 1. ฝาครอบถัง 2. ตัวกรองผง (HEPA) 3. ตัวหุ้มการสะท้อน 4. แผ่นกรองชั้นต้น 5. ถัง 6. เครื่องหมายตำแหน่งติดตั้ง

ข้อสังเกต: ก่อนใช้ตัวกรองผง ตรวจสอบให้แน่ใจว่ามีการใช้แผ่นกรองชั้นต้นและตัวหุ้มการสะท้อนพร้อมกันเสมอ ห้ามติดตั้งตัวกรองผงเพียงอย่างเดียว

การติดตั้งถุงกระดาษ

อุปกรณ์เสริม

⚠️ คำเตือน: เมื่อต้องการใช้ถุงกระดาษ ให้ใช้ตัวกรองชั้นต้นซึ่งติดตั้งบนเครื่องมืออยู่ก่อนแล้วร่วมด้วย หากไม่ใช้ร่วมกับตัวกรองชั้นต้นอาจทำให้เกิดเสียงและความร้อนผิดปกติซึ่งส่งผลให้ไฟไหม้ได้

⚠️ ข้อควรระวัง: ก่อนใช้ถุงกระดาษ ตรวจสอบให้แน่ใจว่ามีการใช้ตัวกรองผง ตัวหุ้มการสะท้อน และแผ่นกรองชั้นต้นร่วมด้วยเสมอ

1. คลี่ถุงกระดาษออก
2. จัดปากถุงกระดาษให้อยู่ในตำแหน่งปากดูดฝุ่นของเครื่องดูดฝุ่น

3. สอดส่วนที่เป็นกระดาษแข็งของถุงกระดาษลงบนที่ยึดและจัดให้อยู่ในตำแหน่งปลายสุดเลยส่วนที่ยื่นออกมาสำหรับล็อก

▶ **หมายเลข 11:** 1. ถุงกระดาษ 2. ที่ยึด

การติดตั้งถุงโพลีเอทิลีน

สามารถใช้งานเครื่องดูดฝุ่นได้โดยไม่มีถุงโพลีเอทิลีน อย่างไรก็ตาม การใช้ถุงโพลีเอทิลีนจะทำให้ถังภายในนำฝุ่นในถังออกโดยที่มือของคุณไม่เปื้อน

วางถุงโพลีเอทิลีนให้แผ่ออกในถัง สอดถุงระหว่างแผ่นยึดกับถัง และดึงมาทางช่องท่อดูด

▶ **หมายเลข 12:** 1. แผ่นยึด 2. ถุงโพลีเอทิลีน

แผ่นถุงออกรอบส่วนบนของถังเพื่อให้ขอบของตัวกรองชั้นต้นสามารถจับและยึดกับถุงได้แน่นสนิท

▶ **หมายเลข 13:** 1. ตัวกรองชั้นต้น

หมายเหตุ: สามารถใช้ถุงโพลีเอทิลีนที่มีขายในท้องตลาดได้ ควรใช้ถุงที่มีความหนา 0.04 mm ขึ้นไป

หมายเหตุ: หากมีปริมาณฝุ่นมากเกินไปจะทำให้ถุงฉีกขาดได้ง่าย เพราะฉะนั้นอย่าให้ฝุ่นสะสมมากกว่าครึ่งหนึ่งของความจุ

การนำฝุ่นออกจากถุงโพลีเอทิลีน

⚠️ คำเตือน: ตรวจสอบให้แน่ใจว่าได้ปิดสวิตช์เครื่องดูดฝุ่นและถอดด้ามแบตเตอรี่ออกแล้วก่อนนำฝุ่นออกจากถุงโพลีเอทิลีนเสมอ มิฉะนั้น อาจทำให้เกิดไฟฟ้าช็อตและได้รับบาดเจ็บสาหัสได้

⚠️ ข้อควรระวัง: อย่ากระแทกถัง การกระแทกอย่างรุนแรงอาจทำให้ชิ้นส่วนดังกล่าวผิดรูปและเสียหายได้

⚠️ ข้อควรระวัง: นำฝุ่นออกจากถังให้หมดอย่างน้อยวันละครั้ง โดยขึ้นอยู่กับปริมาณของฝุ่นในถัง มิฉะนั้น จะทำให้แรงดูดลดลงกำลังลงและอาจทำให้มอเตอร์เสียหายได้

⚠️ ข้อควรระวัง: อย่าจับที่ขอบที่เกี่ยวข้องเมื่อนำฝุ่นออกจากถัง การจับขอบเกี่ยวข้องอาจทำให้ขอบเกี่ยวหักได้

ปลดขอบเกี่ยวออกและยกฝาลังขึ้น

เขย่าฝุ่นออกจากตัวกรองชั้นต้น จากนั้นนำถุงโพลีเอทิลีนออกจากถัง

▶ **หมายเลข 14**

หมายเหตุ: นำถุงโพลีเอทิลีนออกจากถังด้วยความระมัดระวังเพื่อไม่ให้ถุงติดและฉีกขาดโดยส่วนที่ยื่นในถังเมื่อนำฝุ่นออก

หมายเหตุ: นำฝุ่นออกจากถุงโพลีเอทิลีนก่อนถุงเต็ม หากมีปริมาณฝุ่นสะสมในถังมากเกินไปอาจทำให้ถุงโพลีเอทิลีนฉีกขาด

การติดตั้งกล่องเครื่องมือ

1. ปลดล็อกฝาครอบแบตเตอรี่และเปิดฝาครอบแบตเตอรี่
2. ติดตั้งราวจับบนกล่องเครื่องมือตามร่องของกล่อง
3. ปิดฝาครอบแบตเตอรี่และล็อก

▶ **หมายเลข 15**

กล่องเครื่องมือทำให้สะดวกในการขนแบตเตอรี่ ท่อ หรือ ข้อต่อ

▶ **หมายเลข 16**

การเชื่อมต่อเครื่องมือ

ข้อสังเกต: อย่าฝืนงอหรือเหยียบท่อดูด อย่าเคลื่อนย้ายเครื่องดูดฝุ่นโดยการดึงท่อดูด การฝืนงอ การเหยียบ และการดึงท่อดูดอาจทำให้ท่อเสียหาย หรือผิดรูปได้

ข้อสังเกต: เมื่อถอดเศษวัสดุขนาดใหญ่ เช่น เศษจากกบไฟฟ้า ฝุ่นคอนกรีต หรือเศษวัสดุอื่นๆ ที่ไม่ใช่เศษขนาดเล็ก ให้ใช้ท่อดูดที่มีเส้นผ่านศูนย์กลางภายในขนาด 38 mm (อุปกรณ์เสริม) การใช้ท่อดูดที่มีเส้นผ่านศูนย์กลางภายในขนาด 28 mm (อุปกรณ์เสริม) อาจทำให้ท่ออุดตันและเสียหายได้

สอดท่อดูดเข้าไปที่ช่องต่อของถังและหมุนตามเข็มนาฬิกาจนกระทั่งเข้าล็อก

▶ **หมายเลข 17**

การเชื่อมต่ออุปกรณ์ต่อพ่วงที่มีฟังก์ชันลีด

อุปกรณ์เสริม

ใส่อุปกรณ์ต่อพ่วงเข้าไปในช่องดูดเข้าจนกว่าจะมีเสียงคลิก การถอดออก ให้ดึงอุปกรณ์ต่อพ่วงออกในขณะที่กดปุ่มปล่อยไว้

▶ **หมายเลข 18:** 1. ช่องดูดเข้าที่มีฟังก์ชันลีด 2. ปุ่มปล่อย 3. อุปกรณ์ต่อพ่วงที่มีฟังก์ชันลีด

หมายเหตุ: อุปกรณ์ต่อพ่วงที่มีฟังก์ชันลีดสามารถใช้ได้เมื่อใช้ช่องดูดเข้าที่มีฟังก์ชันลีด

- ▶ **หมายเลข 19:** 1. อุปกรณ์ต่อพ่วงที่มีฟังก์ชันลีด
2. ช่องดูดเข้าที่มีฟังก์ชันลีด 3. ช่องดูดเข้าที่ไม่มีฟังก์ชันลีด

การปรับความยาวของท่อต่อแบบเลื่อน

อุปกรณ์เสริม

ปรับความยาวของท่อต่อโดยการกดปุ่มสไลด์ ความยาวจะถูกล็อกเมื่อปล่อยปุ่มสไลด์

▶ **หมายเลข 20:** 1. ปุ่มสไลด์

ฟังก์ชันสั่งงานด้วยสัญญาณไร้สาย

คุณสามารถทำอะไรกับฟังก์ชันสั่งงานด้วยสัญญาณไร้สายนี้ได้บ้าง

ฟังก์ชันสั่งงานด้วยสัญญาณไร้สายจะทำให้คุณสามารถใช้งานได้อย่างสะดวกสบายและสะอาดเรียบร้อย เมื่อเชื่อมต่อเครื่องมือที่รองรับเข้ากับที่ดูดฝุ่น คุณสามารถทำให้ที่ดูดฝุ่นทำงานได้อย่างอัตโนมัติตามการควบคุมด้วยสวิตช์ของเครื่องมือ

▶ **หมายเลข 21**

ข้อสังเกต: โปรดดูคู่มือการใช้งานของเครื่องมือเมื่อใช้ที่ดูดฝุ่นที่มีฟังก์ชันสั่งงานด้วยสัญญาณไร้สาย

ข้อสังเกต: อย่าถอดแยกชิ้นส่วนหรือปรับเปลี่ยนอุปกรณ์รับส่งสัญญาณไร้สาย

ข้อสังเกต: เพื่อป้องกันฝุ่นเข้าไปในช่องอุปกรณ์รับส่งสัญญาณไร้สาย ให้ปิดฝาให้แน่นในระหว่างการใช้งานและการจัดเก็บ

ข้อสังเกต: อย่าถอดอุปกรณ์รับส่งสัญญาณไร้สายในขณะที่มีการจ่ายไฟ ไม่เช่นนั้นอาจทำให้อุปกรณ์รับส่งสัญญาณไร้สายทำงานผิดปกติ

ข้อสังเกต: อย่ากดปุ่มสั่งงานด้วยสัญญาณไร้สายแรงจนเกินไปและ/หรืออย่ากดปุ่มด้วยวัตถุที่มีขอบคม

หมายเหตุ: การใช้งานด้วยสัญญาณไร้สายจะใช้ได้กับเครื่องมือของ Makita ที่มาพร้อมกับอุปกรณ์รับส่งสัญญาณไร้สายเท่านั้น

หมายเหตุ: ก่อนเริ่มใช้ฟังก์ชันสั่งงานด้วยสัญญาณไร้สายกับแต่ละเครื่องมือจำเป็นจะต้องทำการบันทึกเครื่องมือเมื่อทำการบันทึกเครื่องมือเสร็จสิ้นแล้ว ไม่จำเป็นต้องบันทึกอีก ยกเว้นแต่มีการยกเลิก

หมายเหตุ: ก่อนการลงทะเบียน ตรวจสอบให้แน่ใจว่าใส่อุปกรณ์รับส่งสัญญาณไร้สายเข้าที่อย่างเหมาะสมแล้ว

หมายเหตุ: อุปกรณ์รับส่งสัญญาณไร้สายหนึ่งเครื่องสามารถลงทะเบียนการเชื่อมต่อกับอุปกรณ์รับส่งสัญญาณไร้สายอื่น ๆ ได้สูงสุด 10 เครื่อง หากมีการลงทะเบียนอุปกรณ์รับส่งสัญญาณไร้สายอื่นเกิน 10 เครื่องกับอุปกรณ์รับส่งสัญญาณไร้สายหนึ่งเครื่อง เครื่องที่ถูกลงทะเบียนแรกสุดจะถูกยกเลิกโดยอัตโนมัติ

หมายเหตุ: ตำแหน่งของปุ่มสั่งงานด้วยสัญญาณไร้สายจะแตกต่างกันในแต่ละเครื่องมือ

หมายเหตุ: เปิดใช้ที่ดูดฝุ่นโดยการกดปุ่มไฟหลักเมื่อสวิตช์เตรียมพร้อมถูกตั้งไว้ที่ "AUTO" อย่างไรก็ตามปุ่มไฟหลักจะไม่สั่งงานเมื่อมีการใช้ฟังก์ชันสั่งงานด้วยสัญญาณไร้สาย

การติดตั้งอุปกรณ์รับส่งสัญญาณไร้สาย

⚠ ข้อควรระวัง: วางที่ดูดฝุ่นไว้บนพื้นผิวที่ราบเรียบและมั่นคงเมื่อทำการติดตั้งอุปกรณ์รับส่งสัญญาณไร้สาย

ข้อสังเกต: ทำความสะอาดฝุ่นและสิ่งสกปรกบนที่ดูดฝุ่นก่อนทำการติดตั้งอุปกรณ์รับส่งสัญญาณไร้สาย ฝุ่นและสิ่งสกปรกอาจทำให้เครื่องมือทำงานผิดปกติหากฝุ่นเข้าไปในช่องใส่อุปกรณ์รับส่งสัญญาณไร้สาย

ข้อสังเกต: การป้องกันการงานผิดปกติที่เกิดจากไฟฟ้าสถิต ให้สัมผัสวัสดุที่ปล่อยไฟฟ้าสถิต เช่น ชิ้นส่วนที่เป็นโลหะ ก่อนจับอุปกรณ์รับส่งสัญญาณไร้สาย

ข้อสังเกต: เมื่อทำการติดตั้งอุปกรณ์รับส่งสัญญาณไร้สาย ตรวจสอบให้แน่ใจว่าอุปกรณ์รับส่งสัญญาณไร้สายถูกใส่เข้าไปในทิศทางที่ถูกต้องและปิดฝาปิดสนิทแล้ว

1. เปิดฝานที่ดูดฝุ่นตามที่แสดงในภาพ

▶ **หมายเลข 22:** 1. ฝาปิด

2. ใส่อุปกรณ์รับส่งสัญญาณไร้สายเข้าไปในช่องเสียบ จากนั้นปิดฝาปิด

เมื่อใส่อุปกรณ์รับส่งสัญญาณไร้สายแล้ว ให้จัดตำแหน่งให้ส่วนที่ยื่นออกมาตรงกับส่วนที่ถอยเข้าไปบนช่องเสียบ

▶ **หมายเลข 23:** 1. อุปกรณ์รับส่งสัญญาณไร้สาย
2. ส่วนที่ยื่นออกมา 3. ฝาปิด 4. ส่วนที่ถอยเข้าไป

เมื่อต้องการถอดอุปกรณ์รับส่งสัญญาณไร้สายออก ให้เปิดฝาดอกข้างๆ ขอเกี่ยวที่ด้านหลังของฝาดึงยกอุปกรณ์รับส่งสัญญาณไร้สายในขณะที่คุณดึงฝาด้านขึ้น

▶ **หมายเลข 24:** 1. อุปกรณ์รับส่งสัญญาณไร้สาย 2. ขอเกี่ยว 3. ฝาปิด

หลังจากถอดอุปกรณ์รับส่งสัญญาณไร้สายออกแล้ว ให้เก็บไว้ในกล่องที่ให้มาหรือในภาชนะที่ปลอดภัยไฟฟ้าสถิต

ข้อสังเกต: ใช้ขอเกี่ยวที่ด้านหลังของฝาดึงเมื่อต้องการถอดอุปกรณ์รับส่งสัญญาณไร้สายเสมอ หากขอเกี่ยวไม่เกี่ยวกับอุปกรณ์รับส่งสัญญาณไร้สาย ให้ปิดฝาดึงให้สนิทแล้วเปิดอีกครั้งซ้ำๆ

การบันทึกเครื่องมือสำหรับที่ดูดฝุ่น

หมายเหตุ: ที่ดูดฝุ่นของ Makita ที่รองรับฟังก์ชันสั่งงานด้วยสัญญาณไร้สายจำเป็นจะต้องมีการบันทึกเครื่องมือ

หมายเหตุ: ติดตั้งอุปกรณ์รับส่งสัญญาณไร้สายเข้ากับเครื่องมือให้เรียบร้อยก่อนเริ่มบันทึกเครื่องมือ

หมายเหตุ: ระหว่างการบันทึกเครื่องมือ อย่าดึงสวิตช์สั่งงานบนเครื่องมือหรือเปิดสวิตช์ไฟบนที่ดูดฝุ่น

หมายเหตุ: โปรดดูคู่มือการใช้งานของเครื่องมือร่วมด้วย

หากคุณต้องการสั่งงานที่ดูดฝุ่นตามการควบคุมด้วยสวิตช์ของเครื่องมือ ให้บันทึกเครื่องมือให้เสร็จสิ้นก่อน

1. ติดตั้งอุปกรณ์รับส่งสัญญาณไร้สายเข้ากับที่ดูดฝุ่นและเครื่องมือตามลำดับ

2. ติดตั้งแบตเตอรี่เข้ากับที่ดูดฝุ่นและเครื่องมือ

3. ตั้งสวิตช์เตรียมพร้อมบนที่ดูดฝุ่นเป็น "AUTO"

▶ **หมายเลข 25:** 1. สวิตช์เตรียมพร้อม

4. กดปุ่มสั่งงานด้วยสัญญาณไร้สายบนที่ดูดฝุ่นค้างไว้ประมาณ 3 วินาทีจนกระทั่งดวงไฟแสดงการสั่งงานด้วยสัญญาณไร้สายกะพริบเป็นสีเขียว จากนั้นกดปุ่มสั่งงานด้วยสัญญาณไร้สายบนเครื่องมือในลักษณะเดียวกัน

▶ **หมายเลข 26:** 1. ปุ่มสั่งงานด้วยสัญญาณไร้สาย

2. ดวงไฟแสดงการสั่งงานด้วยสัญญาณไร้สาย

หากที่ดูดฝุ่นและเครื่องมือเชื่อมต่อกันเรียบร้อยแล้ว ดวงไฟแสดงการสั่งงานด้วยสัญญาณไร้สายจะสว่างเป็นสีเขียวเป็นเวลา 2 วินาที และจะเริ่มกะพริบเป็นสีฟ้า

หมายเหตุ: ดวงไฟแสดงการสั่งงานด้วยสัญญาณไร้สายจะกะพริบเป็นสีเขียวหลังผ่านไป 20 วินาที กดปุ่มสั่งงานด้วยสัญญาณไร้สายบนเครื่องมือในขณะที่ดวงไฟแสดงการสั่งงานด้วยสัญญาณไร้สายบนที่ดูดฝุ่นกำลังกะพริบอยู่ หากดวงไฟแสดงการสั่งงานด้วยสัญญาณไร้สายไม่กะพริบเป็นสีเขียว ให้ดันปุ่มสั่งงานด้วยสัญญาณไร้สายสักครู่ และกดลงไปอีกครั้ง

หมายเหตุ: เมื่อต้องการดำเนินการบันทึกเครื่องมือสองเครื่องขึ้นไปสำหรับที่ดูดฝุ่นเครื่องเดียว ให้บันทึกเครื่องมือทีละเครื่อง

การเริ่มฟังก์ชันสั่งงานด้วยสัญญาณไร้สาย

หมายเหตุ: บันทึกเครื่องมือสำหรับที่ดูดฝุ่นให้เสร็จสิ้นเพื่อสั่งงานด้วยสัญญาณไร้สาย

หมายเหตุ: วางที่ดูดฝุ่นไว้โดยให้คุณสามารถมองเห็นสถานะของดวงไฟแสดงการสั่งงานด้วยสัญญาณไร้สาย

หมายเหตุ: โปรดดูคู่มือการใช้งานของเครื่องมือร่วมด้วย

หลังจากบันทึกเครื่องมือเข้ากับที่ดูดฝุ่นแล้ว ที่ดูดฝุ่นจะทำงานตามการควบคุมด้วยสวิตช์ของเครื่องมือโดยอัตโนมัติ

1. ดัดตั้งอุปกรณ์รับส่งสัญญาณไร้สายเข้ากับที่ดูดฝุ่นและเครื่องมือตามลำดับ

2. ดัดตั้งแบตเตอรี่เข้ากับที่ดูดฝุ่นและเครื่องมือ

3. เชื่อมต่อท่อของที่ดูดฝุ่นเข้ากับเครื่องมือ

▶ **หมายเลข 27**

4. ตั้งสวิตช์เตรียมพร้อมบนที่ดูดฝุ่นเป็น "AUTO"

▶ **หมายเลข 28:** 1. สวิตช์เตรียมพร้อม

5. ดันปุ่มสั่งงานด้วยสัญญาณไร้สายบนเครื่องมือไว้สักครู่ ดวงไฟแสดงการสั่งงานด้วยสัญญาณไร้สายจะกะพริบเป็นสีฟ้า

▶ **หมายเลข 29:** 1. ปุ่มสั่งงานด้วยสัญญาณไร้สาย
2. ดวงไฟแสดงการสั่งงานด้วยสัญญาณไร้สาย

6. ดึงสวิตช์สั่งงานของเครื่องมือ ตรวจสอบว่าที่ดูดฝุ่นทำงานในขณะที่สวิตช์สั่งงานของเครื่องมือถูกดึงไว้อยู่

⚠ ข้อควรระวัง: ตรวจสอบว่าฟังก์ชันสั่งงานด้วยสัญญาณไร้สายทำงานก่อนเริ่มใช้งานเครื่องมือ

การหยุดการสั่งงานแบบไร้สาย ให้ดันปุ่มสั่งงานด้วยสัญญาณไร้สายบนเครื่องมือ หรือดึงสวิตช์เตรียมพร้อมบนที่ดูดฝุ่นไปที่ "I" หรือ "O"

หมายเหตุ: ดวงไฟแสดงการสั่งงานด้วยสัญญาณไร้สายบนเครื่องมือจะหยุดกะพริบเป็นสีฟ้าเมื่อไม่มีการใช้งานเป็นเวลา 2 ชั่วโมง ในกรณีนี้ให้ดึงสวิตช์เตรียมพร้อมบนที่ดูดฝุ่นไปที่ "AUTO" จากนั้นกดปุ่มสั่งงานด้วยสัญญาณไร้สายบนเครื่องมืออีกครั้ง

หมายเหตุ: ที่ดูดฝุ่นจะเริ่มหยุดทำงานล่าช้าเล็กน้อย ในขณะที่ที่ดูดฝุ่นตรวจจับการควบคุมด้วยสวิตช์ของเครื่องมือจะเกิดความล่าช้าขึ้นเล็กน้อย

หมายเหตุ: ระยะเวลาการส่งสัญญาณของอุปกรณ์รับส่งสัญญาณไร้สายอาจแตกต่างกันไปขึ้นอยู่กับสถานที่และสภาวะแวดล้อม

หมายเหตุ: เมื่อมีการบันทึกเครื่องมือสองเครื่องขึ้นไปกับที่ดูดฝุ่นเครื่องเดียว ที่ดูดฝุ่นอาจเริ่มทำงานแม้ว่าคุณจะยังไม่ได้ดึงสวิตช์สั่งงาน เนื่องจากอาจมีผู้ใช้คนอื่นกำลังใช้ฟังก์ชันสั่งงานด้วยสัญญาณไร้สายอยู่

การยกเลิกการบันทึกเครื่องมือสำหรับที่ดูดฝุ่น

เมื่อต้องการยกเลิกการบันทึกเครื่องมือสำหรับที่ดูดฝุ่น ให้ดำเนินการตามขั้นตอนดังต่อไปนี้

1. ดัดตั้งอุปกรณ์รับส่งสัญญาณไร้สายเข้ากับที่ดูดฝุ่นและเครื่องมือตามลำดับ

2. ดัดตั้งแบตเตอรี่เข้ากับที่ดูดฝุ่นและเครื่องมือ

3. ตั้งสวิตช์เตรียมพร้อมบนที่ดูดฝุ่นเป็น "AUTO"

▶ **หมายเลข 30:** 1. สวิตช์เตรียมพร้อม

4. กดปุ่มสั่งงานด้วยสัญญาณไร้สายบนที่ดูดฝุ่นค้างไว้ประมาณ 6 วินาที ดวงไฟแสดงการสั่งงานด้วยสัญญาณไร้สายจะกะพริบเป็นสีเขียว จากนั้นจะเปลี่ยนเป็นสีแดง หลังจากนั้นให้กดปุ่มสั่งงานด้วยสัญญาณไร้สายบนเครื่องมือในลักษณะเดียวกัน

▶ **หมายเลข 31:** 1. ปุ่มสั่งงานด้วยสัญญาณไร้สาย
2. ดวงไฟแสดงการสั่งงานด้วยสัญญาณไร้สาย

หากดำเนินการยกเลิกเสร็จสิ้นแล้ว ดวงไฟแสดงการสั่งงานด้วยสัญญาณไร้สายจะสว่างขึ้นเป็นสีแดงประมาณ 2 วินาที และจะเริ่มกะพริบเป็นสีฟ้า

หมายเหตุ: ดวงไฟแสดงการสั่งงานด้วยสัญญาณไร้สายจะหยุดกะพริบเป็นสีแดงหลังผ่านไป 20 วินาที กดปุ่มสั่งงานด้วยสัญญาณไร้สายบนเครื่องมือในขณะที่ดวงไฟแสดงการสั่งงานด้วยสัญญาณไร้สายบนที่ตู้ตู้ฝุ่นกำลังกะพริบอยู่ หากดวงไฟแสดงการสั่งงานด้วยสัญญาณไร้สายไม่กะพริบเป็นสีแดง ให้ดันปุ่มสั่งงานด้วยสัญญาณไร้สายสักครู่ แล้วกดลงอีกครั้ง

ลบการบันทึกเครื่องมือทั้งหมด

คุณสามารถลบการบันทึกเครื่องมือทั้งหมดออกจากที่ตู้ตู้ฝุ่นตามขั้นตอนดังต่อไปนี้



- **หมายเลข 32:** 1. สวิตช์เตรียมพร้อม 2. ปุ่มสั่งงานด้วยสัญญาณไร้สาย 3. ดวงไฟแสดงการสั่งงานด้วยสัญญาณไร้สาย
1. ดัดตั้งอุปกรณ์รับส่งสัญญาณไร้สายเข้ากับที่ตู้ตู้ฝุ่น
 2. ดัดตั้งแบตเตอรี่เข้ากับที่ตู้ตู้ฝุ่น
 3. ตั้งสวิตช์เตรียมพร้อมเป็น "AUTO"
 4. กดปุ่มสั่งงานด้วยสัญญาณไร้สายค้างไว้ประมาณ 6 วินาที จนกระทั่งดวงไฟแสดงการสั่งงานด้วยสัญญาณไร้สายกะพริบเป็นสีแดง (ประมาณสองครั้งต่อหนึ่งวินาที)
 5. เมื่อดวงไฟแสดงการสั่งงานด้วยสัญญาณไร้สายเริ่มกะพริบเป็นสีแดง ให้ปล่อยนิ้วออกจากปุ่มสั่งงานด้วยสัญญาณไร้สาย หลังจากนั้นให้กดปุ่มสั่งงานด้วยสัญญาณไร้สายค้างไว้อีกครั้งประมาณ 6 วินาที
 6. เมื่อดวงไฟแสดงการสั่งงานด้วยสัญญาณไร้สายเริ่มกะพริบถี่ๆ (ประมาณ 5 ครั้งต่อหนึ่งวินาที) เป็นสีแดง ให้ปล่อยนิ้วออกจากปุ่มสั่งงานด้วยสัญญาณไร้สาย เมื่อดวงไฟแสดงการสั่งงานด้วยสัญญาณไร้สายสว่างขึ้นเป็นสีแดงและจากนั้นดับลง การบันทึกเครื่องมือทั้งหมดจะถูกลบออก

หมายเหตุ: หากดวงไฟแสดงการสั่งงานด้วยสัญญาณไร้สายไม่กะพริบเป็นสีแดง ให้กดปุ่มสั่งงานด้วยสัญญาณไร้สายสักครู่ แล้วลองใหม่อีกครั้ง

คำอธิบายสถานะดวงไฟแสดงการสั่งงานด้วยสัญญาณไร้สาย

- หมายเลข 33: 1. ปุ่มสั่งงานด้วยสัญญาณไร้สาย
2. ดวงไฟแสดงการสั่งงานด้วยสัญญาณไร้สาย

ดวงไฟแสดงการสั่งงานด้วยสัญญาณไร้สายจะแสดงสถานะของฟังก์ชันสั่งงานด้วยสัญญาณไร้สาย หมายความว่าสถานะดวงไฟได้ที่ตารางด้านล่าง

สถานะ	ดวงไฟแสดงการสั่งงานด้วยสัญญาณไร้สาย				คำอธิบาย
	สี	 สว่าง	 กะพริบ	ระยะเวลา (โดยประมาณ)	
เตรียมพร้อม	สีฟ้า	<input checked="" type="checkbox"/>		ที่ตู้ฝุ่น: ทำงานต่อเนื่อง เครื่องมือ: 2 ชั่วโมง	รอกจนกระทั่งสามารถบันทึกเครื่องมือหรือใช้ฟังก์ชันสั่งงานด้วยสัญญาณไร้สายได้ ดวงไฟบนที่ตู้ฝุ่นจะกะพริบเมื่อสวิตช์เตรียมพร้อมถูกตั้งเป็น AUTO ดวงไฟบนเครื่องมือจะกะพริบเมื่อกดปุ่มสั่งงานด้วยสัญญาณไร้สาย ดวงไฟบนเครื่องมือจะดับลงอัตโนมัติเมื่อไม่มีการใช้งานเป็นเวลา 2 ชั่วโมง
		<input type="checkbox"/>		เมื่อเครื่องมือกำลังทำงาน	สามารถใช้การสั่งงานด้วยสัญญาณไร้สายของที่ตู้ฝุ่นได้และเครื่องมือกำลังทำงานอยู่
การบันทึกเครื่องมือ	สีเขียว	<input checked="" type="checkbox"/>		20 วินาที	พร้อมสำหรับการบันทึกเครื่องมือ ค้นหาเครื่องมือที่จะบันทึก
		<input type="checkbox"/>		2 วินาที	การบันทึกเครื่องมือเสร็จสิ้นแล้ว ดวงไฟแสดงการสั่งงานด้วยสัญญาณไร้สายจะเริ่มกะพริบเป็นสีฟ้า
ยกเลิก/ลบการบันทึกเครื่องมือ	สีแดง	<input checked="" type="checkbox"/>		20 วินาที (ช้า: 2 ครั้ง/วินาที)	พร้อมสำหรับการยกเลิกการบันทึกเครื่องมือ ค้นหาเครื่องมือที่จะยกเลิก
		<input checked="" type="checkbox"/>		เมื่อปุ่มสั่งงานด้วยสัญญาณไร้สายถูกกดลง	พร้อมสำหรับลบการบันทึกเครื่องมือทั้งหมด
		<input type="checkbox"/>		2 วินาที	การบันทึกเครื่องมือถูกยกเลิก/ลบออกแล้ว ดวงไฟแสดงการสั่งงานด้วยสัญญาณไร้สายจะเริ่มกะพริบเป็นสีฟ้า
อื่นๆ	สีแดง	<input type="checkbox"/>		3 วินาที	ไฟฟ้าจะถูกจ่ายไปยังอุปกรณ์รับส่งสัญญาณไร้สายและฟังก์ชันสั่งงานด้วยสัญญาณไร้สายจะเริ่มทำงาน
		ดับ	-	-	สวิตช์เตรียมพร้อมไม่ได้ถูกตั้งเป็น "AUTO"

การแก้ไขปัญหาสำหรับฟังก์ชันสั่งงานด้วยสัญญาณไร้สาย

ก่อนนำไปซ่อม ให้ทำการตรวจสอบด้วยตัวเองก่อน หากพบปัญหาที่ไม่มีอธิบายในคู่มือการใช้งาน อย่าพยายามถอดแยกเครื่องมือ แต่ให้นำไปซ่อมที่ศูนย์บริการหรือโรงงานที่ผ่านการรับรองจาก Makita และใช้ชิ้นส่วนอะไหล่ของ Makita

สภาวะความผิดปกติ	สาเหตุที่เป็นไปได้ (การทำงานผิดปกติ)	การแก้ไข
ดวงไฟแสดงการสั่งงานด้วยสัญญาณไร้สายไม่สว่าง/กะพริบ	อุปกรณ์รับส่งสัญญาณไร้สายไม่ได้ถูกติดตั้งลงในที่ดูดฝุ่นและ/หรือเครื่องมือ อุปกรณ์รับส่งสัญญาณไร้สายไม่ได้ถูกติดตั้งในที่ดูดฝุ่นและ/หรือเครื่องมืออย่างเหมาะสม	ติดตั้งอุปกรณ์รับส่งสัญญาณไร้สายให้ถูกต้อง
	ขั้วต่อของอุปกรณ์รับส่งสัญญาณไร้สายและ/หรือช่องเสียบสกรู	ค่อยๆ เช็ดฝุ่นและสิ่งสกปรกบนขั้วต่อของอุปกรณ์รับส่งสัญญาณไร้สายออกเบาๆ และทำความสะอาดช่องใส่ช่องที่ดูดฝุ่นและ/หรือเครื่องมือ
	ปุ่มสั่งงานด้วยสัญญาณไร้สายบนเครื่องมือยังไม่ถูกดันเข้าไป	ดันปุ่มสั่งงานด้วยสัญญาณไร้สายบนเครื่องมือไว้สักครู่
	สวิตช์เตรียมพร้อมบนที่ดูดฝุ่นไม่ได้ถูกตั้งเป็น "AUTO"	ตั้งสวิตช์เตรียมพร้อมบนที่ดูดฝุ่นเป็น "AUTO"
	ไม่มีกรจ่ายไฟฟ้า	จ่ายไฟฟ้าให้เครื่องมือและที่ดูดฝุ่น

สภาวะความผิดปกติ	สาเหตุที่เป็นไปได้ (การทำงานผิดปกติ)	การแก้ไข
ไม่สามารถเสร็จสิ้นการบันทึกเครื่องมือ / การยกเลิกการบันทึกเครื่องมือได้สำเร็จ	อุปกรณ์รับส่งสัญญาณไร้สายไม่ได้ถูกติดตั้งในที่ดูดฝุ่นและ/หรือเครื่องมือ อุปกรณ์รับส่งสัญญาณไร้สายไม่ได้ถูกติดตั้งลงในที่ดูดฝุ่นและ/หรือเครื่องมืออย่างเหมาะสม	ติดตั้งอุปกรณ์รับส่งสัญญาณไร้สายให้ถูกต้อง
	ขั้วต่อของอุปกรณ์รับส่งสัญญาณไร้สายและ/หรือช่องเสียบสกปรก	คอยๆ เช็ดฝุ่นและสิ่งสกปรกบนขั้วต่อของอุปกรณ์รับส่งสัญญาณไร้สายออกเบาๆ และทำความสะอาดช่องใส่ช่องที่ดูดฝุ่นและ/หรือเครื่องมือ
	สวิตช์เตรียมพร้อมบันทึกที่ดูดฝุ่นไม่ได้ถูกตั้งเป็น "AUTO"	ตั้งสวิตช์เตรียมพร้อมบันทึกที่ดูดฝุ่นเป็น "AUTO"
	ไม่มีการจ่ายไฟฟ้า	จ่ายไฟฟ้าให้เครื่องมือและที่ดูดฝุ่น
	การทำงานไม่ถูกต้อง	ดันปุ่มสั่งงานด้วยสัญญาณไร้สายไว้สักครู่ จากนั้นดำเนินการตามขั้นตอนการบันทึก/การยกเลิกเครื่องมืออีกครั้ง
	เครื่องมือและที่ดูดฝุ่นอยู่ห่างจากกัน (เกินช่วงระยะการส่งสัญญาณ)	นำเครื่องมือและที่ดูดฝุ่นเข้ามาไว้ใกล้กันมากขึ้น ระยะการส่งสัญญาณสูงสุดคือประมาณ 10 m อย่างไรก็ตามอาจแตกต่างกันไปขึ้นอยู่กับสภาวะแวดล้อม
	ก่อนเสร็จสิ้นการบันทึก/การยกเลิกเครื่องมือ - สวิตช์สั่งงานบนเครื่องมือถูกตั้งอยู่ หรือ - ปุ่มไฟหลักบนที่ดูดฝุ่นเปิดอยู่	ดันปุ่มสั่งงานด้วยสัญญาณไร้สายไว้สักครู่ จากนั้นดำเนินการตามขั้นตอนการบันทึก/การยกเลิกเครื่องมืออีกครั้ง
	ขั้นตอนการบันทึกเครื่องมือสำหรับเครื่องมือหรือที่ดูดฝุ่นยังไม่เสร็จสิ้น	ดำเนินการตามขั้นตอนการบันทึกเครื่องมือสำหรับเครื่องมือและที่ดูดฝุ่นในเวลาเดียวกัน
	การรบกวนจากคลื่นวิทยุของเครื่องใช้อื่นๆ ซึ่งทำให้เกิดคลื่นวิทยุความถี่สูง	นำเครื่องมือและที่ดูดฝุ่นออกห่างจากเครื่องใช้ต่างๆ เช่น อุปกรณ์ Wi-Fi และเตาอบไมโครเวฟ

สภาวะความผิดปกติ	สาเหตุที่เป็นไปได้ (การทำงานผิดปกติ)	การแก้ไข
ที่ตุตฝุ่นไม่ทำงานตามการควบคุมด้วยสวิตช์ของเครื่องมือ	อุปกรณ์รับส่งสัญญาณไร้สายไม่ได้ถูกติดตั้งในที่ตุตฝุ่นและ/หรือเครื่องมือ	ติดตั้งอุปกรณ์รับส่งสัญญาณไร้สายให้ถูกต้อง
	อุปกรณ์รับส่งสัญญาณไร้สายไม่ได้ถูกติดตั้งลงในที่ตุตฝุ่นและ/หรือเครื่องมืออย่างเหมาะสม	
	ขั้วต่อของอุปกรณ์รับส่งสัญญาณไร้สายและ/หรือช่องเสียบสกรู	ค่อยๆ เช็ดฝุ่นและสิ่งสกปรกบนขั้วต่อของอุปกรณ์รับส่งสัญญาณไร้สายออกเบาๆ และทำความสะอาดช่องใส่ของที่ตุตฝุ่นและ/หรือเครื่องมือ
	ปุ่มสั่งงานด้วยสัญญาณไร้สายบนเครื่องมือยังไม่ถูกดันเข้าไป	ดันปุ่มสั่งงานด้วยสัญญาณไร้สายไว้สักครู่ และตรวจสอบให้แน่ใจว่าดวงไฟแสดงการทำงานด้วยสัญญาณไร้สายกะพริบเป็นสีฟ้า
	สวิตช์เตรียมพร้อมบนที่ตุตฝุ่นไม่ได้ถูกตั้งเป็น "AUTO"	ตั้งสวิตช์เตรียมพร้อมบนที่ตุตฝุ่นเป็น "AUTO"
	มีเครื่องมือที่บันทึกเข้ากับที่ตุตฝุ่นมากกว่า 10 เครื่อง	ดำเนินการบันทึกเครื่องมืออีกครั้ง หากมีเครื่องมือที่บันทึกเข้ากับที่ตุตฝุ่นมากกว่า 10 เครื่อง เครื่องมือที่บันทึกเครื่องแรกจะถูกยกเลิกโดยอัตโนมัติ
	ที่ตุตฝุ่นลบการบันทึกเครื่องมือทั้งหมด	ดำเนินการบันทึกเครื่องมืออีกครั้ง
	ไม่มีกรจ่ายไฟฟ้า	จ่ายไฟฟ้าให้เครื่องมือและที่ตุตฝุ่น
ที่ตุตฝุ่นทำงานในขณะที่สวิตช์สั่งงานเครื่องมือยังไม่ถูกตั้ง	เครื่องมือและที่ตุตฝุ่นอยู่ห่างจากกัน (เกินช่วงระยะการส่งสัญญาณ)	นำเครื่องมือและที่ตุตฝุ่นเข้ามาไว้ใกล้กันมากขึ้น ระยะการส่งสัญญาณสูงสุดคือประมาณ 10 m อย่างไรก็ตามอาจแตกต่างกันไปขึ้นอยู่กับสภาวะแวดล้อม
	การรบกวนจากคลื่นวิทยุของเครื่องใช้อื่นๆ ซึ่งทำให้เกิดคลื่นวิทยุความถี่สูง	นำเครื่องมือและที่ตุตฝุ่นออกจากเครื่องใช้ต่างๆ เช่น อุปกรณ์ Wi-Fi และเตาอบไมโครเวฟ
	ผู้ใช้คนอื่นกำลังใช้การสั่งงานด้วยสัญญาณไร้สายของที่ตุตฝุ่นจากเครื่องมือของพวกเขาอยู่	ปิดปุ่มสั่งงานด้วยสัญญาณไร้สายของเครื่องมืออื่นๆ หรือยกเลิกการบันทึกเครื่องมือของเครื่องมืออื่น
ไม่สามารถลบการบันทึกเครื่องมือทั้งหมดในที่ตุตฝุ่นได้	กดปุ่มสั่งงานด้วยสัญญาณไร้สายบนเครื่องมือ	กดปุ่มสั่งงานด้วยสัญญาณไร้สายบนที่ตุตฝุ่นเพื่อลบการบันทึกเครื่องมือทั้งหมด
	สวิตช์เตรียมพร้อมบนที่ตุตฝุ่นไม่ได้ถูกตั้งเป็น "AUTO"	ตั้งสวิตช์เตรียมพร้อมบนที่ตุตฝุ่นเป็น "AUTO"
	ปุ่มสั่งงานด้วยสัญญาณไร้สายไม่ถูกกดลงอย่างถูกต้อง	กดปุ่มสั่งงานด้วยสัญญาณไร้สายค้างไว้ 6 วินาทีขึ้นไป จากนั้นค่อยปล่อยปุ่มเมื่อดวงไฟแสดงการทำงานด้วยสัญญาณไร้สายกะพริบเป็นสีแดง กดปุ่มสั่งงานด้วยสัญญาณไร้สายค้างไว้ 6 วินาทีขึ้นไป จนกระทั่งดวงไฟแสดงการทำงานด้วยสัญญาณไร้สายกะพริบเป็นสีแดง จากนั้นค่อยปล่อยปุ่ม

การบำรุงรักษา

⚠ ข้อควรระวัง: ตรวจสอบให้แน่ใจว่าได้ปิดสวิตช์เครื่องมือและถอดด้ามแบตเตอรี่ออกก่อนทำการตรวจสอบหรือบำรุงรักษา

ข้อสังเกต: อย่าใช้น้ำมันเชื้อเพลิง เบนซิน ทินเนอร์ แอลกอฮอล์ หรือวัสดุประเภทเดียวกัน เนื่องจากอาจทำให้สีซีดจาง เสียรูป หรือแตกร้าวได้

เพื่อความปลอดภัยและนำเชื้อถือของผลิตภัณฑ์ ควรให้ศูนย์บริการหรือโรงงานที่ผ่านการรับรองจาก Makita เป็นผู้ดำเนินการซ่อมแซม บำรุงรักษาและทำการปรับตั้งอื่นๆ นอกจากนี้ให้ใช้อะไหล่ของแท้จาก Makita เสมอ

การเก็บรักษาอุปกรณ์เสริม

วางท่อไว้ในที่ยืดต่อ เมื่อไม่ใช้งานเครื่องดูดฝุ่นเป็นระยะเวลาสั้นๆ

▶ **หมายเลข 34**

▶ **หมายเลข 35**

เก็บท่อดูดโดยพันไว้รอบๆ เครื่องมือ

▶ **หมายเลข 36**

การทำความสะอาดตัวกรองผง (HEPA) และแผ่นกรองชั้นต้น

ตัวกรองผง แผ่นกรองชั้นต้น และตัวหน่วงการสะเทือนที่ติดตั้งจะทำให้ประสิทธิภาพการดูดแย่ง ทำความสะอาดตัวกรองและตัวหน่วงการสะเทือนเป็นระยะๆ

นำฝุ่นหรือเศษผงอื่นๆ ออกจากตัวกรองโดยเขย่าส่วนกันของตัวกรองเร็วๆ หลายๆ ครั้ง

▶ **หมายเลข 37:** 1. แผ่นกรองชั้นต้น

ล้างตัวกรองผงบ้างเป็นครั้งคราวในน้ำ ล้างให้สะอาดและตากให้แห้งสนิทในที่ร่มก่อนใช้งาน อย่าล้างตัวกรองในเครื่องซักผ้าเด็ดขาด

▶ **หมายเลข 38**

หมายเหตุ: อย่าถูหรือขูดตัวกรองผง แผ่นกรองชั้นต้น หรือตัวหน่วงการสะเทือนด้วยวัตถุที่มีความแข็ง เช่น แปรง และใบพัด

หมายเหตุ: ตัวกรองอาจเสื่อมสภาพได้ตามระยะเวลา ควรสำรองตัวกรองเผื่อไว้ด้วย

อุปกรณ์เสริม

⚠ ข้อควรระวัง: ขอแนะนำให้ใช้เฉพาะอุปกรณ์เสริมหรืออุปกรณ์ต่อพ่วงเหล่านี้กับเครื่องมือ Makita ที่ระบุในคู่มือการใช้งานอุปกรณ์เสริมหรืออุปกรณ์ต่อพ่วงอื่นๆ อาจมีความเสี่ยงที่จะได้รับบาดเจ็บ ใช้อุปกรณ์เสริมหรืออุปกรณ์ต่อพ่วงตามวัตถุประสงค์ที่ระบุไว้เท่านั้น

หากต้องการทราบรายละเอียดเพิ่มเติมเกี่ยวกับอุปกรณ์เสริมเหล่านี้ โปรดสอบถามศูนย์บริการ Makita ใกล้บ้านคุณ

- ท่อดูด
- ข้อต่อด้านหน้าเบอร์ (เบอร์ 22, 24, 38)
- ท่อตรง
- ก้านดูดแบบยึดได้
- หัวดูดฝุ่นสำหรับมุมอับ
- แปรงหัวกลม
- ตัวกรองผง, HEPA (สำหรับฝุ่นชนิดแห้ง)
- ตัวหน่วงการสะเทือน
- แผ่นกรองชั้นต้น
- การติดตั้งท่อ
- ท่อโค้ง
- ลูกโพลีเอทิลีน
- ลูกกระต๊าก
- ชุดที่ยึด
- แบตเตอรี่และเครื่องชาร์จ Makita ของแท้

หมายเหตุ: อุปกรณ์บางรายการอาจรวมอยู่ในชุดเครื่องมือเป็นอุปกรณ์มาตรฐาน ซึ่งอาจแตกต่างกันไปในแต่ละประเทศ

Makita Corporation
3-11-8, Sumiyoshi-cho,
Anjo, Aichi 446-8502 Japan
www.makita.com

885781A372
EN, ZHCN, ID, MS,
VI, TH
20201225