



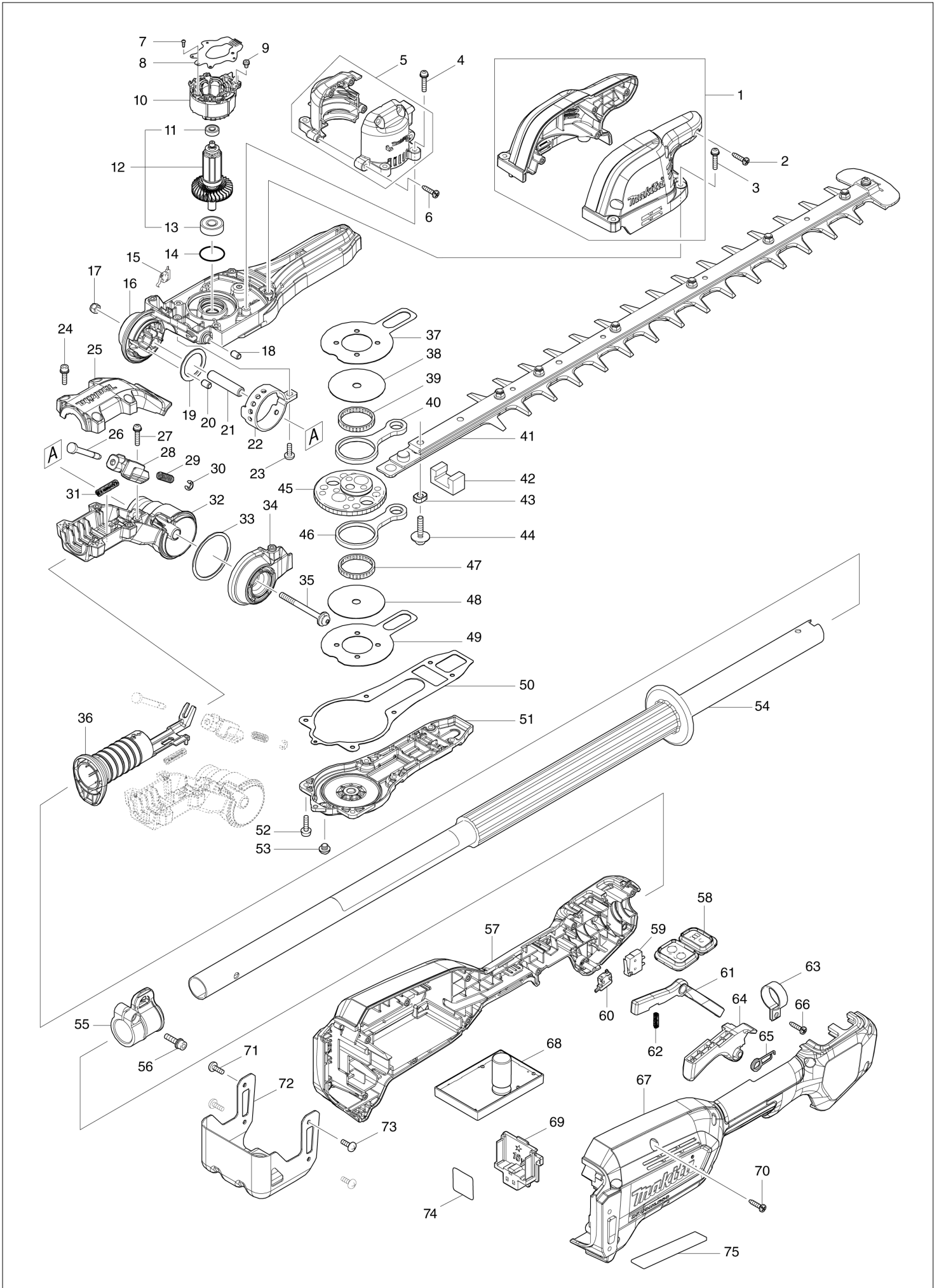
VN	VIETNAM
----	---------

Diagram / Parts List

DUN500W

CORDLESS POLE HEDGE TRIMMER

(VN) DUN500W / CORDLESS POLE HEDGE TRIMMER



VN	VIETNAM
-----------	----------------

DUN500W / CORDLESS POLE HEDGE TRIMMER

Item	Sub	Parts No.	Parts Description	Qty	I/C	E/C No.	Close No.	Remark
001		183N85-6	HOUSING SET	1				
002		266326-2	TAPPING SCREW 4X18	4				
003		911138-5	P.H.SCREW M4X20 WITH WR	4				
004		911138-5	P.H.SCREW M4X20 WITH WR	4				
005		183N83-0	MOTOR HOUSING SET	1				
006		266326-2	TAPPING SCREW 4X18	4				
007		266490-9	TAPPING SCREW PT 2X6	3				
008		620B02-8	CONTROLLER B	1				
009		652069-6	FLAT HEAD SCREW M3X6	3				
010		629352-6	STATOR	1				
011		211157-4	BALL BEARING 695ZZ	1				
012		519598-1	ROTOR ASSY	1				
	D10		INC. 11,13					
013		210005-4	BALL BEARING 608DDW	1				
014		213961-7	O RING 22	1				
015		632P71-1	SWITCH UNIT	1				
016		140R17-0	GEAR HOUSING COMPLETE	1				
017		252103-8	HEX. LOCK NUT M5-8	1				
018		263005-3	RUBBER PIN 6	1				
019		267304-5	FLAT WASHER 25	1				
020		263005-3	RUBBER PIN 6	3				
021		257761-5	SLEEVE 6	1				
022		347656-1	ANGULAR HOLDER	1				
023		265487-5	H.S. BUTTON HEAD BOLT M5X16	1				
024		922128-3	HEX. SOCKET HEAD BOLT M4X16	4				
025		319952-7	PIPE HOLDER COVER 24	1				
026		327514-7	STOPPER PIN	1				
027		911138-5	P.H.SCREW M4X20 WITH WR	1				
028		412295-7	STOPPER PIN HOLDER	1				
029		233096-8	COMPRESSION SPRING 5	1			D4656	
029-1		231294-8	COMPRESSION SPRING 6	1	<	D4656		
030		961011-9	STOP RING E-4	1				
031		232299-1	COMPRESSION SPRING 5	1				
032		319950-1	PIPE HOLDER 24	1				
033		267190-4	FLAT WASHER 45	1				
034		319951-9	SIDE COVER	1				
035		265A90-8	H.S.B. HEAD BOLT M5X60 WITH WR	1				
036		412296-5	SLIDE GRIP 24	1				
037		347361-0	FRICTION PLATE	1				
038		347661-8	PLATE	1				
039		212229-8	NEEDLE CAGE 315	1				
040		347662-6	CONNECTING ROD	1				
041		191C14-9	SHEAR BLADE 500 SET	1				
	C10	197438-9	GREASE VESSEL SET(D)	1			Y08389	
	C11	199450-5	GREASE VESSEL SET	1	O	Y08389	D1218	
	C12	199450-5	GREASE VESSEL SET	1	O	D1218		
	C20	345205-8	BRANCH CATCHER	1				
	C30	911208-0	PAN HEAD SCREW M5X10	1				
	D10		INC. 43					
042		443159-4	SEAL	1				
043		257439-0	SLEEVE 5	2				
044		265A89-3	H.S.H.BOLT M5X25 WITH WR	2				
045		226958-7	HELICAL GEAR 68	1				
046		347662-6	CONNECTING ROD	1				
047		212229-8	NEEDLE CAGE 315	1				
048		347661-8	PLATE	1				
049		347361-0	FRICTION PLATE	1				
050		422568-0	GEAR HOUSING GASKET	1				
051		319949-6	GEAR HOUSING COVER	1				
052		922128-3	HEX. SOCKET HEAD BOLT M4X16	6				
053		266559-9	H.S.BUTTON HEAD BOLT M6X4	1				
054		140R22-7	PIPE 24 COMPLETE	1				
	C10	8008A7-9	CAUTION LABEL	1				
055		168478-4	HANGER	1				
056		922228-9	H.S.H.BOLT M5X18 WITH WR	1				

Interchange
O : Yes
X : No
< : the new part can be substituted for the current.
> : the current part can be substituted for the new.
S : Interchangeable as a set.

