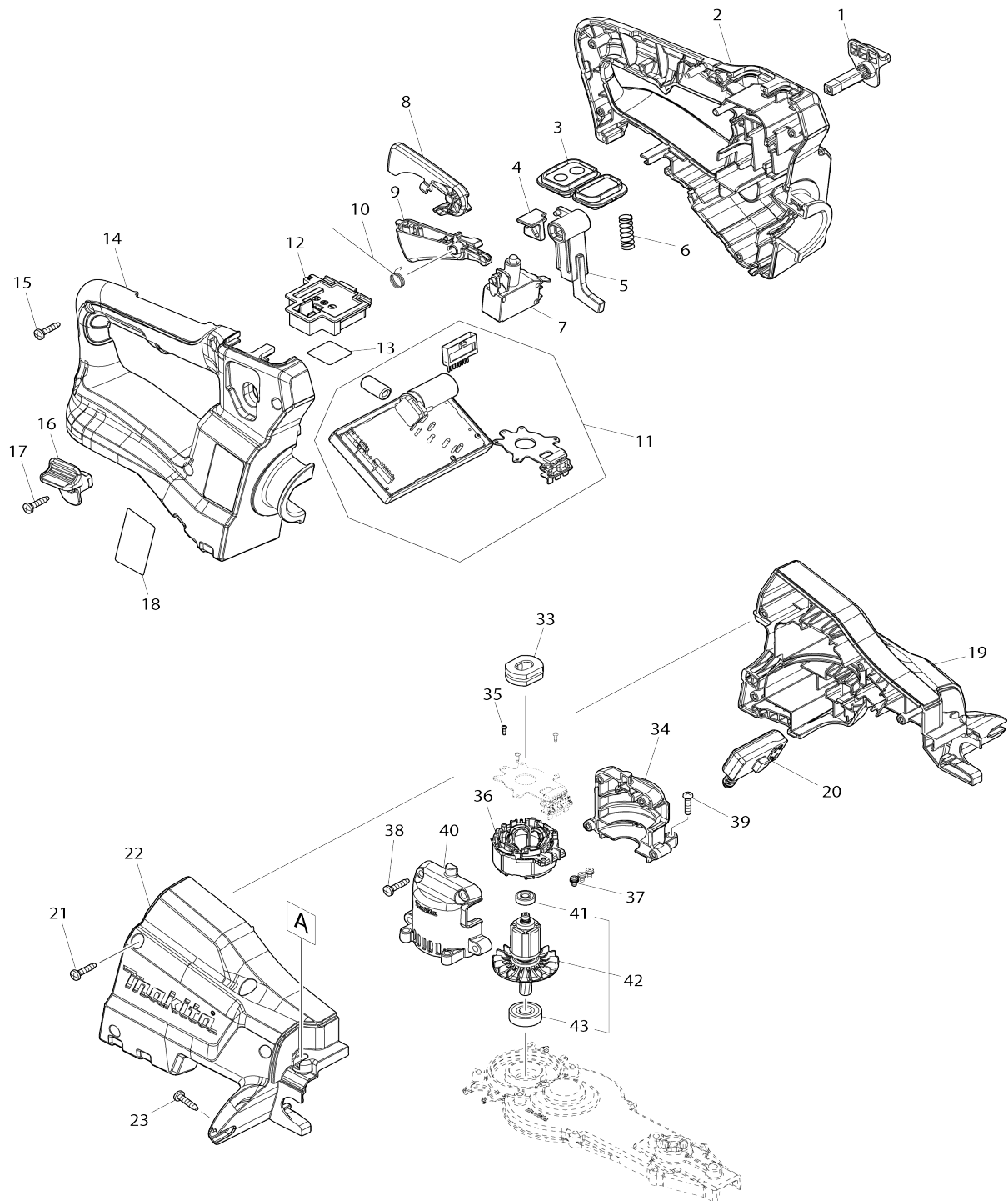
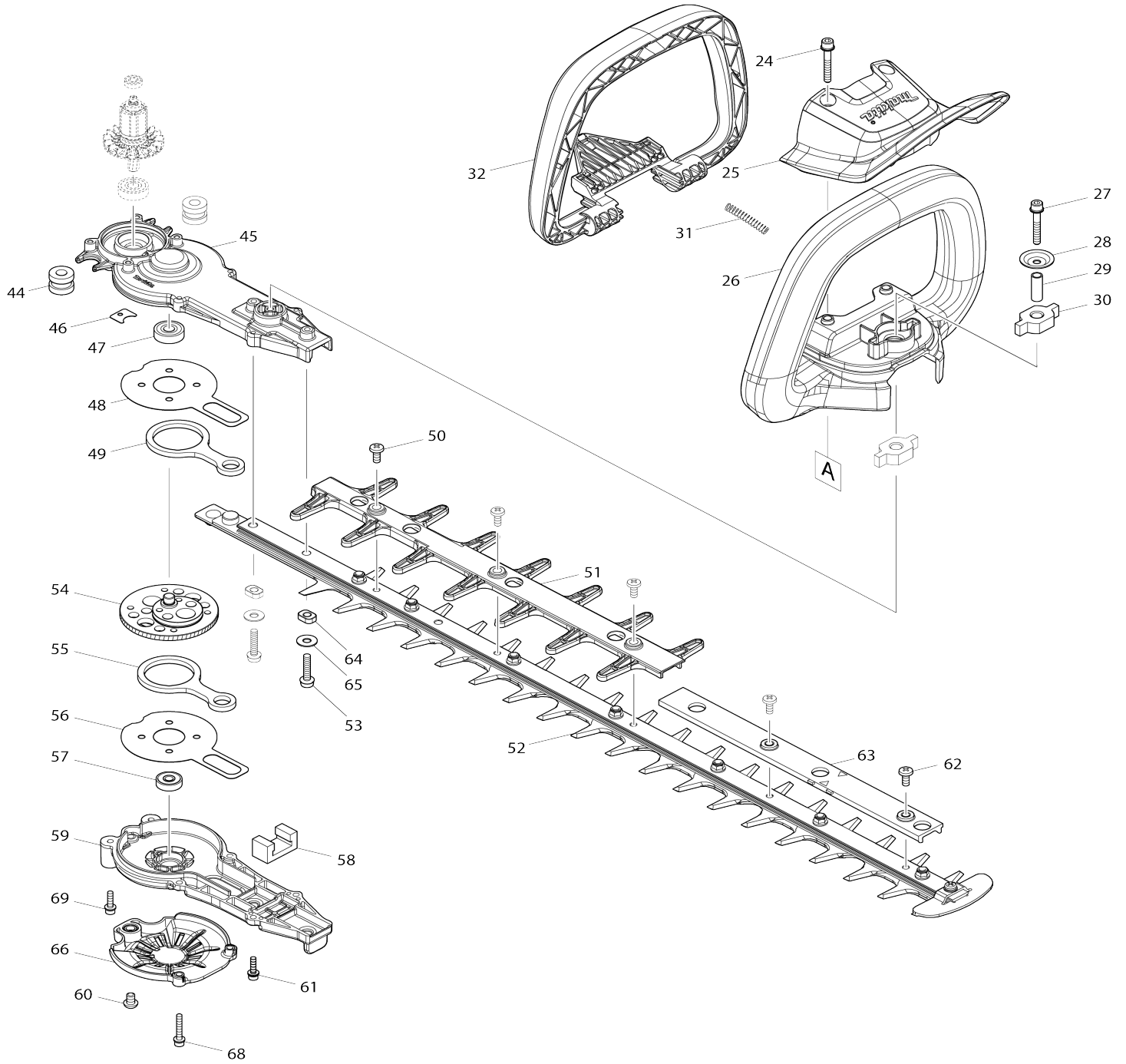


# Model No. DUH601 600MM CORDLESS HEDGE TRIMMER



# Model No.DUH601 600MM CORDLESS HEDGE TRIMMER





031	233222-9	COMPRESSION SPRING 5		1	*			
031-1	233222-9	COMPRESSION SPRING 5	O	2				
032	458402-8	SWITCH LEVER F		1				
033	422261-6	RUBBER SLEEVE		1				
034	183J52-7	MOTOR HOUSING SET		1	*			
D10		INC. 40						
034-1	183L66-8	MOTOR HOUSING SET	<	1	*			
D10		INC. 40						
034-2	183L66-8	MOTOR HOUSING SET	<	1				
D10		INC. 40						
035	266490-9	TAPPING SCREW PT 2X6		3				
036	629352-6	STATOR		1				
037	652069-6	FLAT HEAD SCREW M3X6		3				
038	266326-2	TAPPING SCREW 4X18		4				
039	265178-8	PAN HEAD SCREW M4X16		4	*			
039-1	911128-8	P.H.SCREW M4X16 WITH WR	O	4				
040	183J52-7	MOTOR HOUSING SET		1	*			
D10		INC. 34						
040-1	183L66-8	MOTOR HOUSING SET	<	1	*			
D10		INC. 34						
040-2	183L66-8	MOTOR HOUSING SET	<	1				
D10		INC. 34						
041	211157-4	BALL BEARING 695ZZ		1				
042	519521-6	ROTOR ASSY		1	*			
D10		INC. 41,43						
042-1	510450-6	ROTOR ASSY	<	1	*			
D10		INC. 41,43						
042-2	510450-6	ROTOR ASSY	O	1				
D10		INC. 41,43						
043	211032-4	BALL BEARING 608ZZ		1	*			
043-1	210005-4	BALL BEARING 608DDW	<	1				
044	422259-3	RUBBER SLEEVE 8		2				
045	140F22-5	GEAR HOUSING COMPLETE		1	*			
C10	424344-8	DAMPER		1	*			
045-1	136278-0	GEAR HOUSING ASSEMBLY	S	1	*			
C10	424344-8	DAMPER		1	*			
C20	213961-7	O RING 22		1	*			
045-2	136278-0	GEAR HOUSING ASSEMBLY	O	1	*			
C10	424344-8	DAMPER		1	*			
C20	213961-7	O RING 22		1	*			
045-3	136278-0	GEAR HOUSING ASSEMBLY	O	1				
C10	424344-8	DAMPER		1				
C20	213961-7	O RING 22		1				
046	458417-5	GASKET		1	*			
047	211032-4	BALL BEARING 608ZZ		1				
048	347361-0	FRICTION PLATE		1				
049	347362-8	CONNECTING ROD		1				
050	915211-3	BINDING HEAD SCREW M5X12		3				
051	458408-6	GUARD E		1	*			
051-1	412908-0	GUARD E	S	1				
052	199099-1	SHEAR BLADE ASSEMBLY 600 SE T		1	*			

C10	345205-8	BRANCH CATCHER		1	*			
C20	911208-0	PAN HEAD SCREW M5X10		1	*			
052-1	199099-1	SHEAR BLADE ASSEMBLY 600 SET	<	1	*			
C10	345205-8	BRANCH CATCHER		1	*			
C20	911208-0	PAN HEAD SCREW M5X10		1	*			
052-2	191R53-9	SHEAR BLADE 600 SET	<	1				
C10	345205-8	BRANCH CATCHER		1				
C20	911208-0	PAN HEAD SCREW M5X10		1				
C30	252311-1	COLLARED HEX. LOCK NUT M5-8		7				
C40	257439-0	SLEEVE 5		7				
C50	253558-0	FLAT WASHER 5		7				
C60	265181-9	+TRUSS HEAD SCREW M5X20		7				
D10		INC. 50,51,62-64						
053	265182-7	+ PAN HEAD SCREW M5X25		2	*			
053-1	265B66-1	+ PAN HEAD SCREW M5X25 WITH WR	S	2				
054	140B79-2	GEAR COMPLETE		1				
055	347362-8	CONNECTING ROD		1				
056	347361-0	FRICITION PLATE		1				
057	211499-6	BALL BEARING 626ZZ		1				
058	443159-4	SEAL		1				
059	140B62-9	GEAR HOUSING COVER COMPLETE		1	*			
059-1	140B62-9	GEAR HOUSING COVER COMPLETE	O	1				
060	266559-9	H.S.BUTTON HEAD BOLT M6X4		1	*			
060-1	265338-2	H.S.BOTTOM HEAD BOLT M6X8	<	1				
061	265490-6	HEX. SOCKET HEAD BOLT M4X16		6	*			
061-1	266437-3	HEX. SOCKET HEAD BOLT M4X16	<	6	*			
061-2	265A29-1	HEX. SOCKET HEAD BOLT M4X16 WRM	<	2				
062	915211-3	BINDING HEAD SCREW M5X12		2				
063	458628-2	SPACER 600		1	*			
063-1	459115-4	SPACER 600H	O	1				
064	257439-0	SLEEVE 5		2				
065	253804-1	FLAT WASHER 6		2	*			
066	458907-8	UNDER COVER		1				
068	265698-2	HEX. SOCKET HEAD BOLT M4X25 WRM		2				
069	265A29-1	HEX. SOCKET HEAD BOLT M4X16 WRM		2				
A01	458414-1	BLADE COVER 600		1	*			
A01-1	459121-9	BLADE COVER 600S	O	1				
A02	195246-2	SAFETY GOGGLE		1	*			
F01-2	199450-5	GREASE VESSEL SET	O	1				
F04-2	191R53-9	SHEAR BLADE 600 SET	<	1				
034	183L66-8	MOTOR HOUSING SET		1	*			
040	183L66-8	MOTOR HOUSING SET		1	*			
042	519557-5	ROTOR ASSY		1	*			
060	265338-2	H.S.BOTTOM HEAD BOLT M6X8		1				
061-1	265A29-1	HEX. SOCKET HEAD BOLT M4X16 WRM		2				
063	459115-4	SPACER 600H		1				

A01	459121-9	BLADE COVER 600S		1				
A03	450128-8	BATTERY COVER		1				
A04	***DC18RD	DC18RD TWO PORT FAST CHARGER		1				
D10		COMPO-PARTS						
A05	197280-8	BATTERY BL1850B SET		2	*			
A05-1	197280-8	BATTERY BL1850B SET	O	2				

Please state Parts No. when your order.

Print Date 23/07/2024