



VN	VIETNAM
----	---------

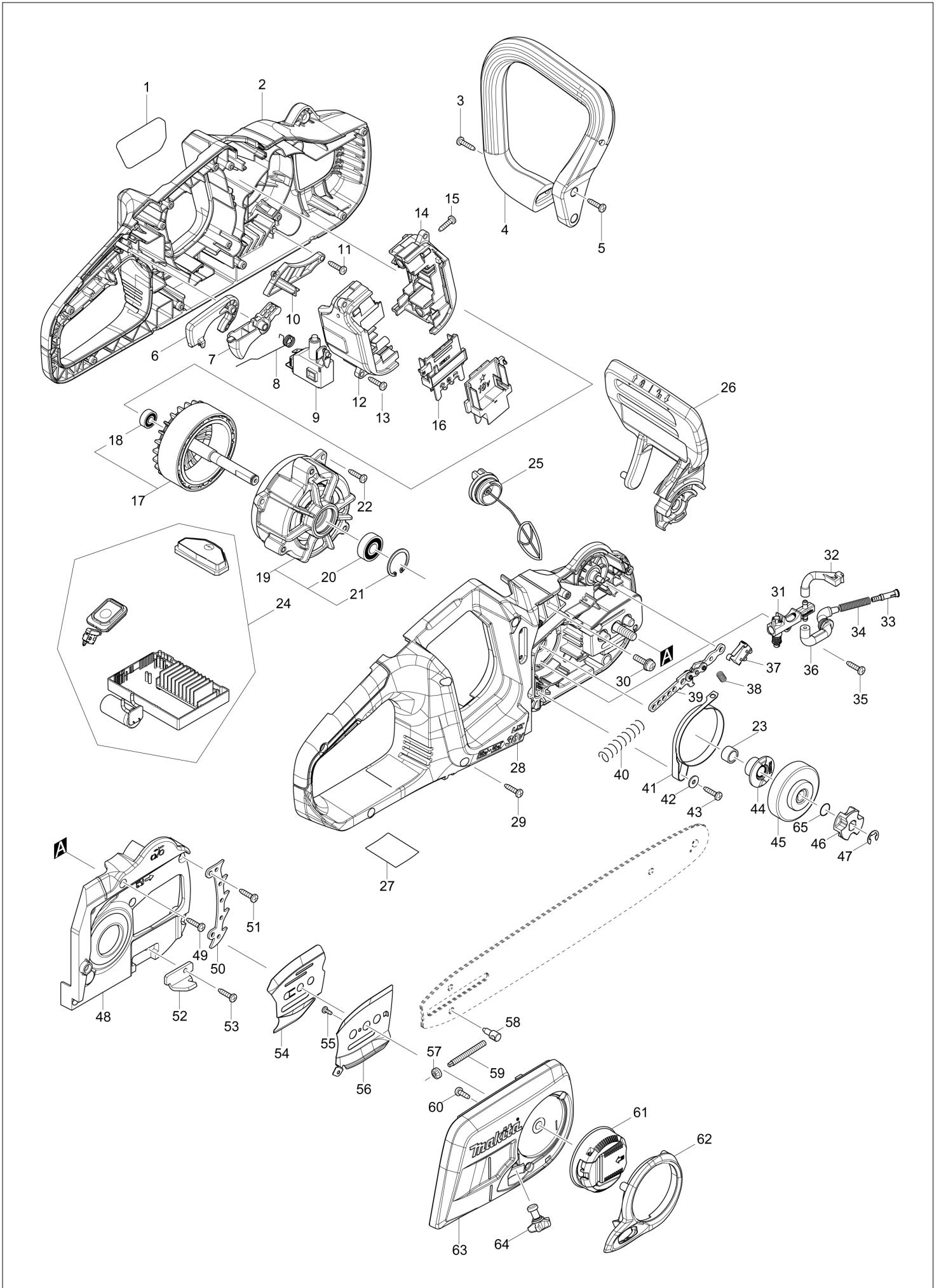
Diagram / Parts List

DUC353

350MM CORDLESS CHAIN SAWER



(VN) DUC353 / 350MM CORDLESS CHAIN SAW



VN	VIETNAM
-----------	----------------

DUC353 / 350MM CORDLESS CHAIN SAWER

Item	Sub	Parts No.	Parts Description	Qty	I/C	E/C No.	Close No.	Remark
001		810R17-1	DUC353 MODEL NO. LABEL	1				
002		183F59-9	HOUSING SET	1			C4667	
	C10	812D16-5	CAUTION LABEL	1			C4667	
	D10		INC. 28				C4667	
002-1		183F59-9	HOUSING SET	1	O	C4667		
	C10	812D16-5	CAUTION LABEL	1		C4667		
	D10		INC. 28			C4667		
003		266326-2	TAPPING SCREW 4X18	2				
004		457007-1	FRONT HANDLE	1				
005		266326-2	TAPPING SCREW 4X18	2				
006		457013-6	CATCH LEVER	1				
007		457006-3	SWITCH LEVER	1				
008		232318-3	TORSION SPRING 10	1				
009		650781-2	SWITCH C3JW-6B-P	1				
010		457010-2	HOUSING L COVER	1				
011		266326-2	TAPPING SCREW 4X18	1				
012		183F15-9	TERMINAL BOX SET	1				
	C10	263005-3	RUBBER PIN 6	4				
	D10		INC. 14					
013		266326-2	TAPPING SCREW 4X18	4				
014		183F15-9	TERMINAL BOX SET	1				
	C10	263005-3	RUBBER PIN 6	4				
	D10		INC. 12					
015		266326-2	TAPPING SCREW 4X18	2				
016		643874-2	TERMINAL	2				
017		519411-3	ROTOR ASS'Y	1				
	D10		INC. 18					
018		210028-2	BALL BEARING 606ZZ	1				
019		592H45-5	STATOR ASS'Y	1				
	D10		INC. 20,21					
020		210059-1	BALL BEARING 6000DDW	1				
021		962105-3	RETAINING RING R-26	1				
022		266326-2	TAPPING SCREW 4X18	3				
023		257402-3	SLEEVE 10	1				
024		144254-0	CONTROLLER COMPLETE	1				
025		168399-0	TANKCAP COMPLETE	1			B6909	
025-1		168508-1	TANK CAP COMPLETE	1	O	B6909		
	C10	213355-6	O-RING 25	1		B6909		
026		457022-5	FRONT HAND GUARD	1			B9658	
026-1		458418-3	FRONT HAND GUARD	1	<	B9658		
027		852V64-0	DUC353 NAME PLATE	1				
028		183F59-9	HOUSING SET	1			C4667	
	C10	812D16-5	CAUTION LABEL	1			C4667	
	D10		INC. 2				C4667	
028-1		183F59-9	HOUSING SET	1	O	C4667		
	C10	812D16-5	CAUTION LABEL	1		C4667		
	D10		INC. 2			C4667		
029		266326-2	TAPPING SCREW 4X18	8				
030		911233-1	PAN HEAD SCREW M5X20	3				
031		142156-4	OIL PUMP COMPLETE	1			D4444	
031-1		142156-4	OIL PUMP COMPLETE	1	O	D4444		
032		424904-6	CONNECTOR B	1				
033		452666-6	NIPPLE	1				
034		234207-8	COMPRESSION SPRING 6	1				
035		266326-2	TAPPING SCREW 4X18	1				
036		424903-8	CONNECTOR A	1				
037		632H47-0	SWITCH UNIT	1			B9658	
037-1		632H47-0	SWITCH UNIT	1	S	B9658		
038		231298-0	COMPRESSION SPRING 6	1				
039		163448-8	LINKPLATE COMPLETE	1				
040		232319-1	COMPRESSION SPRING 9	1				
041		345454-7	BRAKE BAND	1				
042		267195-4	FLAT WASHER 4	1			C1478	
043		266326-2	TAPPING SCREW 4X18	1			C1478	
043-1		265620-9	TAPPING SCREW FLANGE 4X18	1	S	C1478		

Interchange
O : Yes
X : No
< : the new part can be substituted for the current.
> : the current part can be substituted for the new.
S : Interchangeable as a set.

