



VN	VIETNAM
----	---------

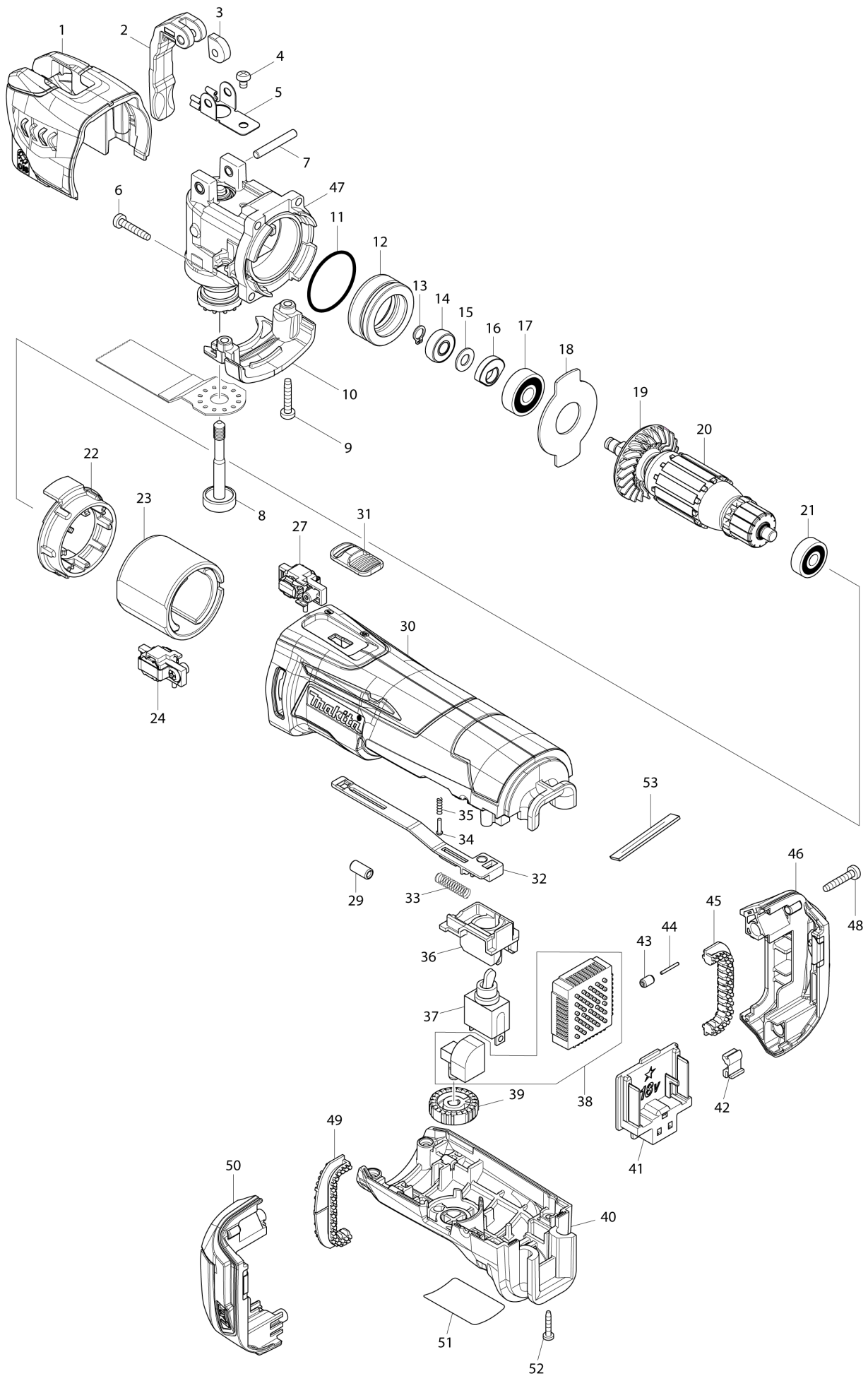
Diagram / Parts List

DTM51

CORDLESS MULTI TOOL



(VN) DTM51 / CORDLESS MULTI TOOL



VN	VIETNAM
-----------	----------------

DTM51 / CORDLESS MULTI TOOL

Item	Sub	Parts No.	Parts Description	Qty	I/C	E/C No.	Close No.	Remark
001		455272-6	UPPER HEAD COVER	1				
002		319059-9	LEVER	1				
003		313268-2	TURN BLOCK	1				
004		911102-6	PAN HEAD SCREW M4X6	1				
005		232282-8	LEAF SPRING	1				
006		266424-2	TAPPING SCREW 4X20	4				
007		268306-4	PIN 5	1				
008A		326409-1	HOLDER BOLT	1			C5179	
008-1A		327177-9	HOLDER BOLT	1	<	C5179		
008-1B		327177-9	HOLDER BOLT	1				
009		266424-2	TAPPING SCREW 4X20	2				
010		454635-3	LOWER HEAD COVER	1				
011		213343-3	O RING 35	1				
012		326347-7	BEARING BOX	1				
013		961003-8	RETAINING RING S-7	1				
014-1		210164-4	SPHERE BEARING 706	1				
015		253133-2	FLAT WASHER 7	1				
016		313245-4	BALANCER	1				
017		211092-6	BALL BEARING 629DDW	1				
018		285857-2	BEARING RETAINNER	1				
019		240140-4	FAN 46	1				
020		519338-7	ARMATURE ASS'Y 18V	1				
	D10		INC. 19,21					
021		210023-2	BALL BEARING 627DDW	1				
022		455017-2	BUFFLE PLATE	1				
023		632B69-4	YOKE UNIT	1				
024		632B88-0	BRUSH HOLDER COMPLETE	1				
027		632B89-8	BRUSH HOLDER COMPLETE	1				
030		455013-0	MOTOR HOUSING	1				
031		455016-4	SWITCH KNOB	1				
032		455015-6	SWITCH LEVER	1				
033		234263-8	COMPRESSION SPRING 5	1				
034		255058-6	RIVET 2	1				
035		233002-3	COMPRESSION SPRING 3	1				
036		455018-0	SWITCH CASE	1				
037		651423-1	SWITCH	1				
038		620270-1	CONTROLLER	1				
039		271617-8	DIAL 28	1				
040		142553-4	HANDLE COVER COMPLETE	1				
	C10	263005-3	RUBBER PIN 6	3				
041		643852-2	TERMINAL	1				
042		424476-1	CUSHION	1				
043		263036-2	RUBBER PIN 5	1				
044		268184-2	PIN 1.5	1				
045		424473-7	CUSHION RUBBER	1				
046		187848-8	BATTERY HOUSING SET	1				
	C10	263005-3	RUBBER PIN 6	2				
	D10		INC. 50					
047-1		143250-5	CRANK HOUSING COMPLETE	1				
048		266424-2	TAPPING SCREW 4X20	2				
049		424473-7	CUSHION RUBBER	1				
050		187848-8	BATTERY HOUSING SET	1				
	C10	263005-3	RUBBER PIN 6	2				
	D10		INC. 46					
051		815M50-8	DTM51 NAME PLATE	1				
052		266429-2	TAPPING SCREW 3X16	4				
053		423404-3	SPONGE SHEET	1				
A01A		***DC18RC	DC18RC FAST CHARGER	1				
A02-2A		197600-6	BATTERY BL1830B SET	2			C4176	
A02-3A		197600-6	BATTERY BL1830B SET	2	O	C4176		
A03A		450128-8	BATTERY COVER	1				
A04A		821608-5	PLASTIC CARRYING CASE	1				
	C10	162302-3	LATCH	2				
A05-1A		143308-0	TOOL BOX COMPLETE WITH LABEL	1				
	C10	454652-3	LATCH	1				

A:DTM51RFE10(H)
B:DTM51Z(N)

Interchange
O : Yes
X : No
< : the new part can be substituted for the current.
> : the current part can be substituted for the new.
S : Interchangeable as a set.

