



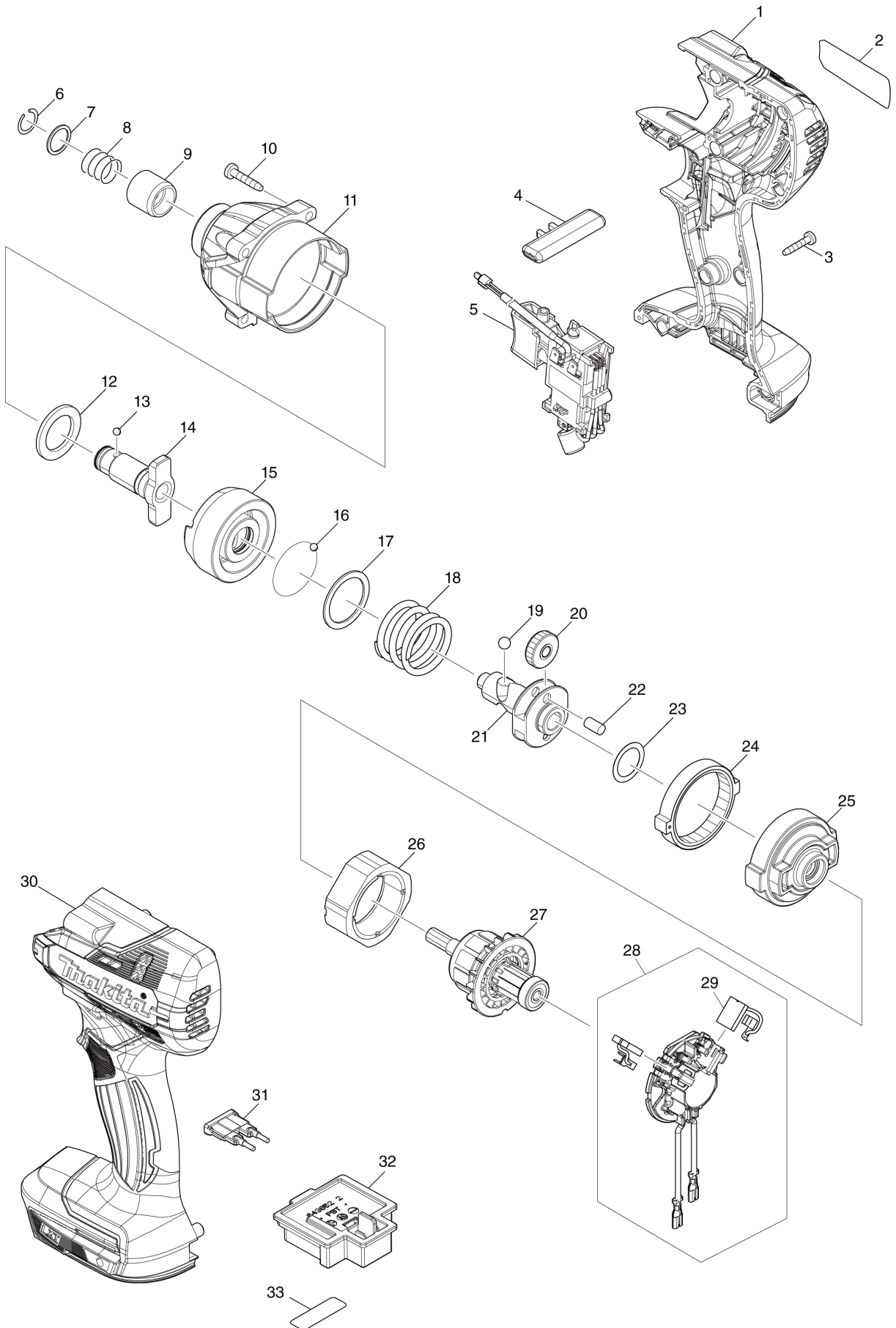
VN	VIETNAM
----	---------

Diagram / Parts List

DTD156

CORDLESS IMPACT DRIVER

(VN) DTD156 / CORDLESS IMPACT DRIVER



VN	VIETNAM
-----------	----------------

DTD156 / CORDLESS IMPACT DRIVER

Item	Sub	Parts No.	Parts Description	Qty	I/C	E/C No.	Close No.	Remark
001		183N31-9	HOUSING SET	1				
	C10	252126-6	HEX. LOCK NUT M4-7	2				
	C20	263005-3	RUBBER PIN 6	2				
	D10		INC. 30					
002		856K77-7	DTD156 NAME PLATE	1				
003		266429-2	TAPPING SCREW 3X16	8				
004		452399-3	F/R CHANGE LEVER	1				
005		632P57-5	SWITCH UNIT	1				
006		231951-8	RING SPRING 11	1				
007		267085-1	FLAT WASHER 12	1				
008		233005-7	COMPRESSION SPRING 13	1				
009		324420-7	SLEEVE	1				
010		266374-1	TAPPING SCREW 4X25	4				
011		140N57-4	HAMMER CASE COMPLETE	1				
012		261151-6	NYLON WASHER 19	1				
013		216040-0	STEEL BALL 3.5	2				
014		326111-6	ANVIL N	1				
015		326644-1	HAMMER	1				
016		216040-0	STEEL BALL 3.5	24				
017		267175-0	FLAT WASHER 24	1				
018		233430-2	COMPRESSION SPRING 24	1				
019		216041-8	STEEL BALL 5.6	2				
020		227362-3	SPUR GEAR 22	2				
021		326562-3	SPINDLE	1				
022		256253-1	PIN 5	2				
023		253314-8	THIN WASHER 15	1				
024		227279-0	INTERNAL GEAR 51	1				
025		144952-6	INTERNAL GEAR CASE	1				
026		638396-5	YOKE UNIT	1				
027		619553-4	ARMATURE	1				
028		539241-6	BRUSH HOLDER ASS'Y	1				
	C10	231696-8	TORSION SPRING R	1				
	C20	231697-6	TORSION SPRING L	1				
	D10		INC. 29					
029		198887-3	CARBON BRUSH CB-5	1				
030		183N31-9	HOUSING SET	1				
	C10	252126-6	HEX. LOCK NUT M4-7	2				
	C20	263005-3	RUBBER PIN 6	2				
	D10		INC. 1					
032		643852-2	TERMINAL	1				
033		856K82-4	DTD156 SERIAL NO. LABEL	1				
A01		346317-0	HOOK	1				
A02		266622-8	+ TRUSS HEAD SCREW M4X12	1				
A03B		***DC18SD	DC18SD BATTERY CHARGER	1				
	D10		COMPO-PARTS					
A03C		***DC18SD	DC18SD BATTERY CHARGER	1				
	D10		COMPO-PARTS					
A03D		***DC18SD	DC18SD BATTERY CHARGER	1				
	D10		COMPO-PARTS					
A04B		197600-6	BATTERY BL1830B SET	2				
A04C		197600-6	BATTERY BL1830B SET	1				
A04D		197600-6	BATTERY BL1830B SET	1				
A05B		450128-8	BATTERY COVER	1				
A06B		141856-3	PLASTIC CARRYING CASE COMPLETE	1				
	C10	162302-3	LATCH	2				
A06D		821550-0	CONNECTOR PLASTIC CASE (TYPE2)	1				
	C10	453974-8	LATCH	4				
A07D		837670-0	INNER TRAY	1				
A08B		8005V1-0	DTD156SFE MODEL NO. LABEL	1				
A08D		8005U3-9	DTD156SF1J INDICATION LABEL	1				
A09D		8005U4-7	DTD156SF1J PLASTIC CASE LABEL	2				
A10D		E-10833	TWIST TORSION BIT PH2-65MM 1PC	1				
E01		163400-6	HANDSTRAP	1		DB911		

B:DTD156SFE(H)
 C:DTD156SF(H)
 D:DTD156SF1J(H)

Interchange
 O : Yes
 X : No
 < : the new part can be substituted for the current.
 > : the current part can be substituted for the new.
 S : Interchangeable as a set.