



VN	VIETNAM
----	---------

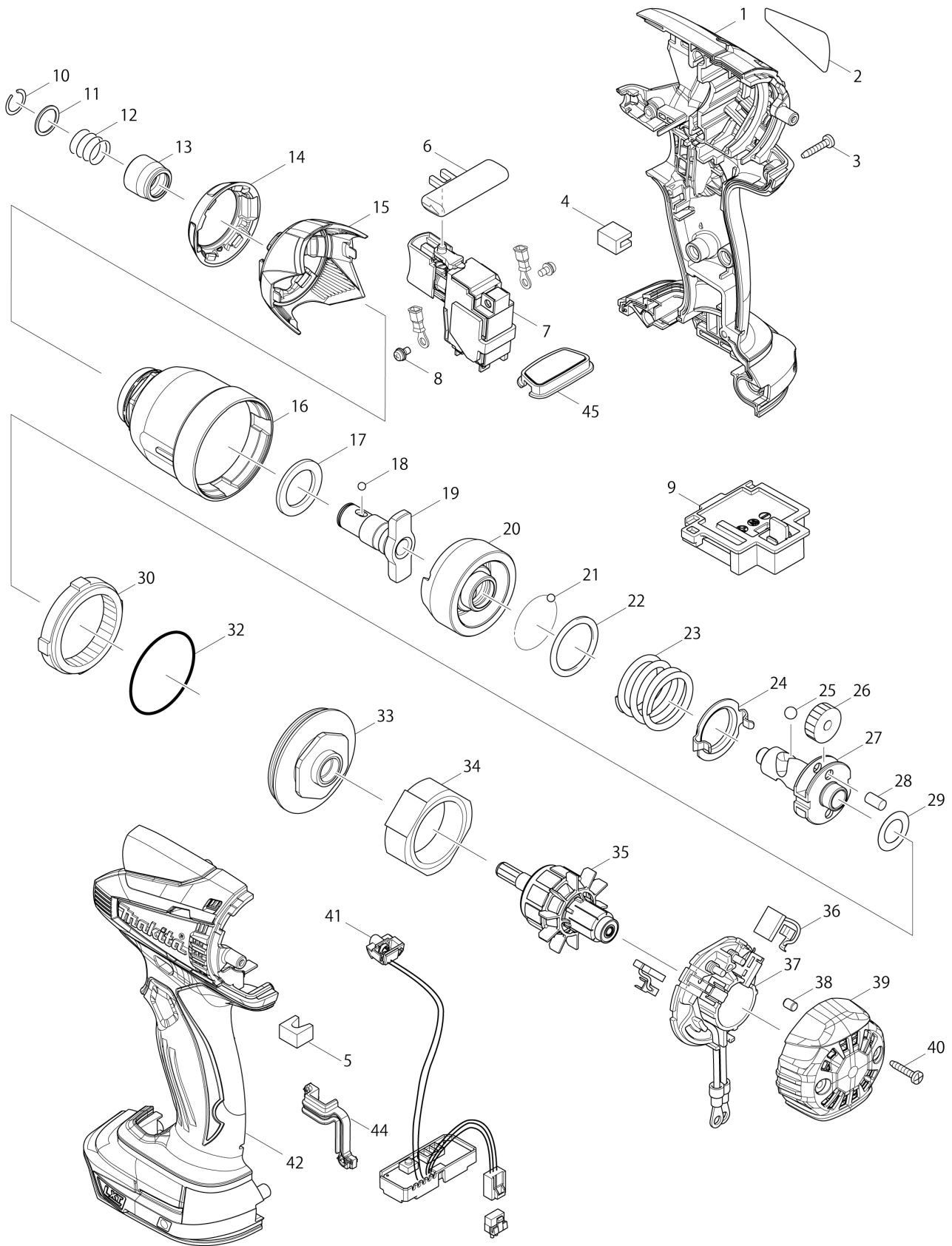
Diagram / Parts List

DTD134

CORDLESS IMPACT DRIVER



(VN) DTD134 / CORDLESS IMPACT DRIVER



VN	VIETNAM
-----------	----------------

DTD134 / CORDLESS IMPACT DRIVER

Item	Sub	Parts No.	Parts Description	Qty	I/C	E/C No.	Close No.	Remark
001		187114-3	HOUSING SET	1				
	C10	263005-3	RUBBER PIN 6	2				
	D10		INC. 42					
002		815L18-8	DTD134 NAME PLATE	1				
003		266429-2	TAPPING SCREW 3X16	8				
004		423423-9	SPONGE B	1				
005		423422-1	SPONGE A	1				
006		419041-9	F/R CHANGE LEVER	1				
007		650722-8	SWITCH TG573FSB-1	1				
008		652045-0	+PAN HEAD SCREW M3.5X5	2				
009		643854-8	TERMINAL	1				
010		231951-8	RING SPRING 11	1				
011		267085-1	FLAT WASHER 12	1				
012		233005-7	COMPRESSION SPRING 13	1				
013		326068-1	BIT SLEEVE	1				
014		424429-0	BUMPER	1				
015		452837-5	HAMMER CASE COVER	1				
016		140946-9	HAMMER CASE COMPLETE	1				
017		261151-6	NYLON WASHER 19	1				
018B		216001-0	STEEL BALL 3.5	2			A4806	
018-1B		216040-0	STEEL BALL 3.5	2	O	A4806		
018-1C		216040-0	STEEL BALL 3.5	2				
019		326067-3	ANVIL N	1				
020		326054-2	HAMMER	1				
021B		216001-0	STEEL BALL 3.5	24			A4806	
021-1B		216040-0	STEEL BALL 3.5	24	O	A4806		
021-1C		216040-0	STEEL BALL 3.5	24				
022		267175-0	FLAT WASHER 24	1				
023		233430-2	COMPRESSION SPRING 24	1				
024		346466-3	PLATE	1				
025B		216011-7	STEEL BALL 5.6	2			A4806	
025-1B		216041-8	STEEL BALL 5.6	2	O	A4806		
025-1C		216041-8	STEEL BALL 5.6	2				
026B		227233-4	SPUR GEAR 22	2			A9581	
026-1B		227362-3	SPUR GEAR 22	2	<	A9581	C5426	
026-1C		227362-3	SPUR GEAR 22	2			C5426	
026-2		227362-3	SPUR GEAR 22	2	O	C5426		
027		326066-5	SPINDLE	1				
028		256253-1	PIN 5	2				
029		253362-7	THIN WASHER 12	1				
030		227150-8	INTERNAL GEAR 51	1				
032		213507-9	O RING 40	1				
033		158145-9	BEARING BOX COMPLETE	1				
034		638396-5	YOKE UNIT	1				
035B		619244-7	ARMATURE	1			A6593	
035-1B		619370-2	ARMATURE	1	<	A6593		
035-1C		619370-2	ARMATURE	1				
036		195021-6	CARBON BRUSH SET CB-440	1				
037		638387-6	BRUSH HOLDER COMPLETE	1				
038		263032-0	RUBBER PIN 4	2				
039		452832-5	REAR COVER	1				
040		266429-2	TAPPING SCREW 3X16	2				
041		620051-3	LIGHT CIRCUIT	1				
042		187114-3	HOUSING SET	1				
	C10	263005-3	RUBBER PIN 6	2				
	D10		INC. 1					
044		424430-5	SEAL	1				
045		140963-9	SWITCH PLATE COMPLETE	1				
A01		266622-8	+ TRUSS HEAD SCREW M4X12	1				
A02		346317-0	HOOK	1				
A03B		450128-8	BATTERY COVER	1				
A04B		***DC18RC	DC18RC FAST CHARGER	1				
A05B		194065-3	BATTERY BL1430 SET	2			A5785	
A05-1B		194065-3	BATTERY BL1430 SET	2	O	A5785	B2743	
A05-2B		197616-1	BATTERY BL1430B SET	2	<	B2743	C6747	

B:DTD134RFE(H)
C:DTD134Z(N)

Interchange
O : Yes
X : No
< : the new part can be substituted for the current.
> : the current part can be substituted for the new.
S : Interchangeable as a set.

