



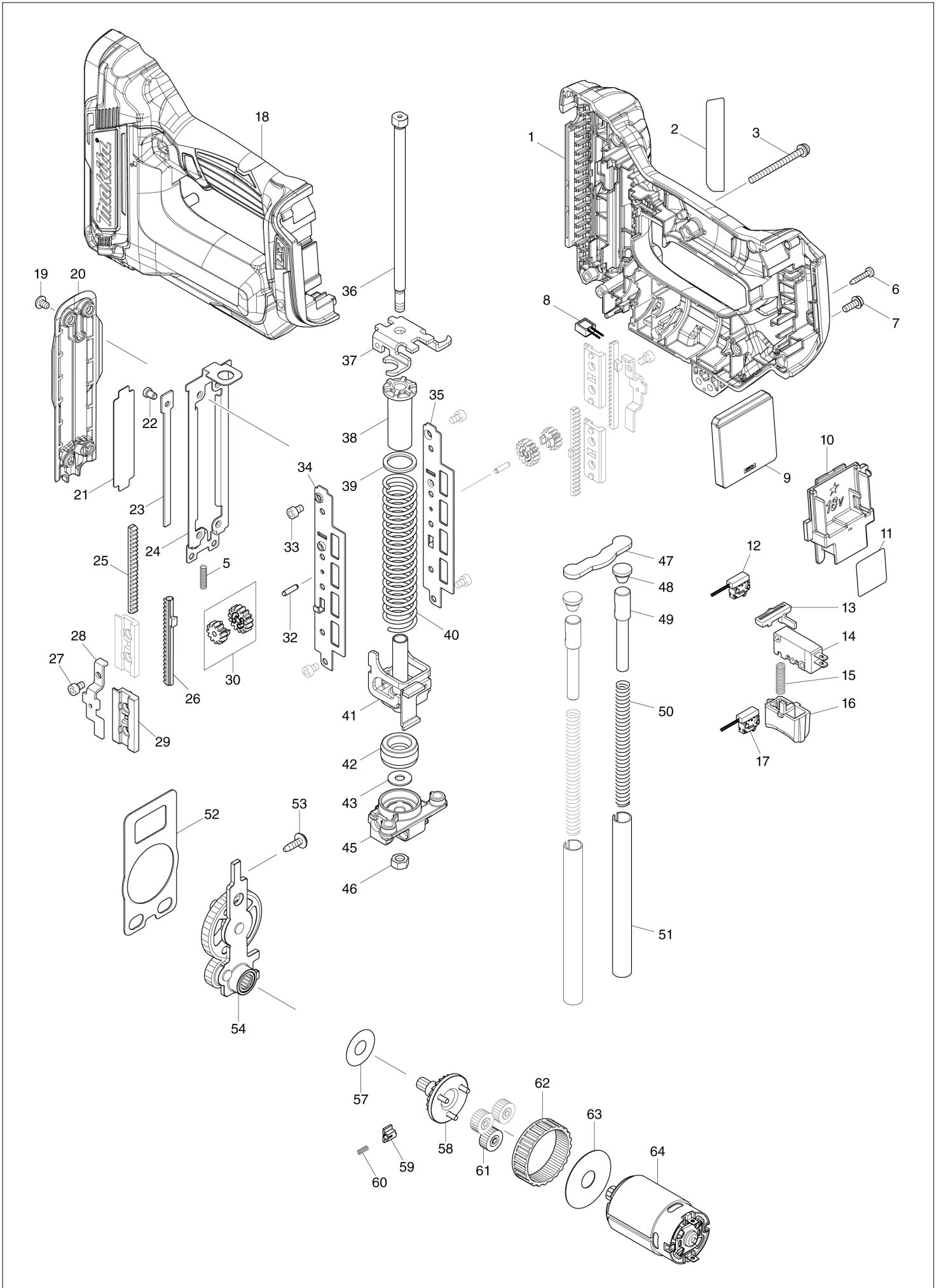
VN	VIETNAM
----	---------

# Diagram / Parts List

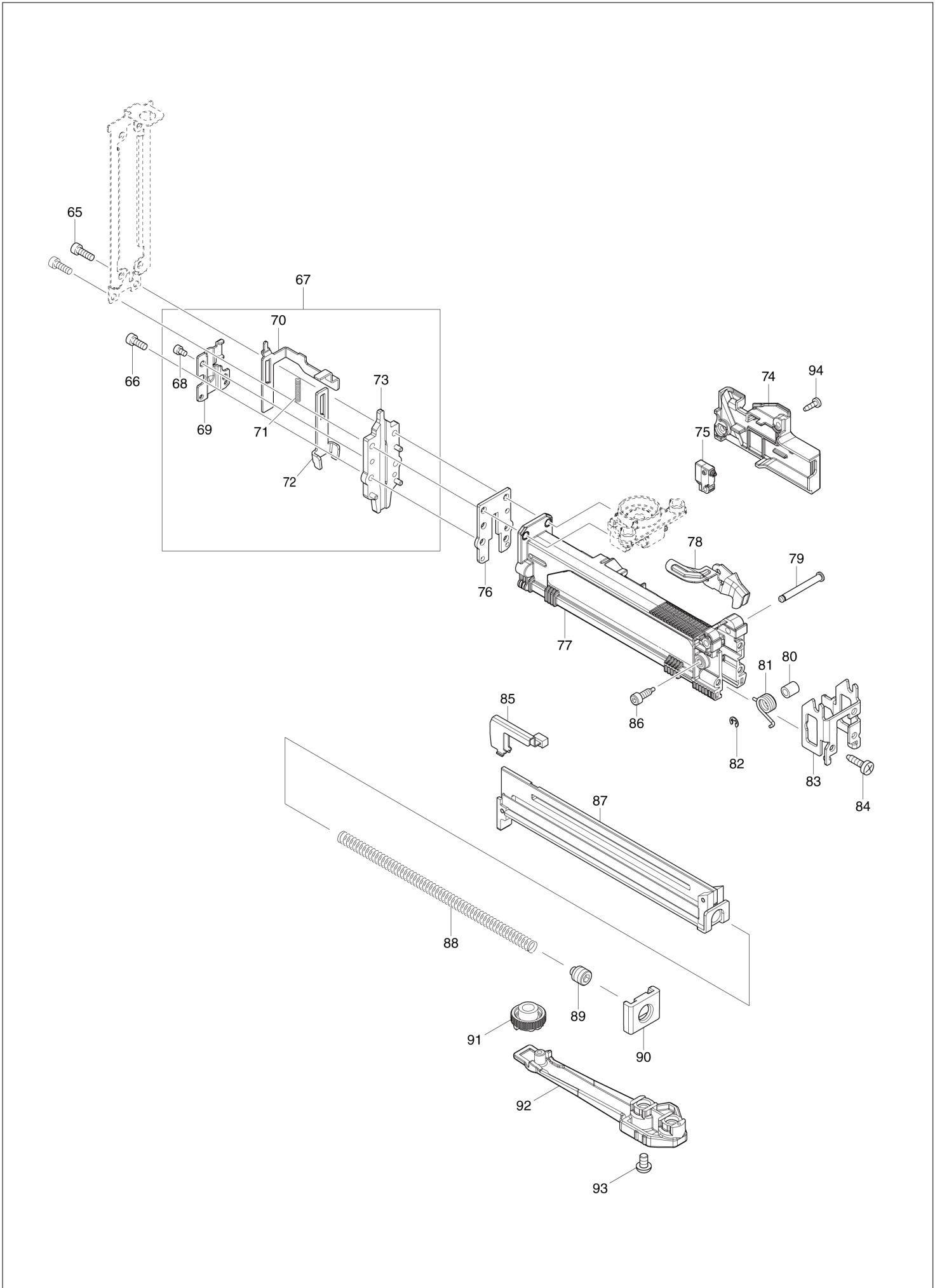
**DST421**

**CORDLESS STAPLER**

# (VN) DST421 / CORDLESS STAPLER



(VN) DST421 / CORDLESS STAPLER



<b>VN</b>	<b>VIETNAM</b>
-----------	----------------

### DST421 / CORDLESS STAPLER

Item	Sub	Parts No.	Parts Description	Qty	I/C	E/C No.	Close No.	Remark
001		183N96-1	HOUSING SET	1				
	C10	263005-3	RUBBER PIN 6	2				
	C20	252126-6	HEX. LOCK NUT M4-7	2				
	C30	931102-0	HEX. NUT M4	1				
	D10		INC. 18					
002		856V35-9	DST421 NAME PLATE	1				
003		911173-3	PAN HEAD SCREW M4X45	1				
005		232608-4	COMPRESSION SPRING 4	1				
006		266130-9	TAPPING SCREW BIND PT 3X16	8				
007		911113-1	PAN HEAD SCREW M4X10 WITH WR	2				
008		620507-6	LED CIRCUIT	1				
009		632P85-0	CONTROLLER UNIT	1				
010		643874-2	TERMINAL	1				
011		856V38-3	DST421 SERIAL NO. LABEL	1				
012		632G60-2	SWITCH UNIT	1				
013		456799-9	TRIGGER LOCK	1				
014		651910-0	SWITCH D2VW-01-3HS	1				
015		232370-1	COMPRESSION SPRING 5	1				
016		457386-7	TRIGGER	1			D5047	
016-1		412772-9	TRIGGER	1	<	D5047		
017		632K06-2	SWITCH UNIT	1				
018		183N96-1	HOUSING SET	1				
	C10	263005-3	RUBBER PIN 6	2				
	C20	252126-6	HEX. LOCK NUT M4-7	2				
	C30	931102-0	HEX. NUT M4	1				
	D10		INC. 1					
019		915101-0	BINDING HEAD SCREW M4X6	4				
020		412495-9	FRONT COVER	1				
021		347528-0	UPPER PLATE	1				
022		256882-0	FLAT FILLISTER HD. PIN 4	1				
023		347684-6	DRIVER	1				
024		347683-8	RAIL	1				
025		310924-5	COUNTER WEIGHT A	2			DB646	
025-1		313421-0	COUNTER WEIGHT A	2	<	DB646		
026		310925-3	COUNTER WEIGHT B	2				
027		251566-5	H.S.H BOLT M4X6 WITH W	2				
028		347146-4	PINION GUIDE	2				
029		457390-6	COUNTER WEIGHT HOLDER	4				
030		136104-3	SPUR GEAR ASSEMBLY	2				
032		326902-5	PINION SHAFT	2				
033		266199-3	HEX.SOCKET HEAD BOLT M4X6	4				
034		347145-6	GUIDE RAIL R	1				
035		347144-8	GUIDE RAIL L	1				
036		326903-3	GUIDE BOLT	1				
037		347728-2	BOTTOM PLATE	1				
038		459311-4	SPRING HOLDER	1				
039		347522-2	SPRING BASE	1				
040		232511-9	COMPRESSION SPRING 17	1				
041		347735-5	HAMMER	1				
042		422457-9	CUSHION	1				
043		253804-1	FLAT WASHER 6	1				
045		319984-4	HOLDER	1				
046		252273-3	HEX. NUT M6	1				
047		347729-0	COUNTER STOPPER	1				
048		422592-3	COUNTER CUSHION	2				
049		327591-9	WEIGHT	2				
050		232630-1	COMPRESSION SPRING 7	2				
051		327592-7	GUIDE PIPE	2				
052		347525-6	GEAR PLATE	1				
053		266901-4	TAPPING SCREW 4X14	1				
054		140K45-3	SPUR GEAR 61 COMPLETE	1			D5317	
054-1		140Y96-0	SPUR GEAR 61 COMPLETE	1	<	D5317		
057		253353-8	THIN WASHER 10	1				
058		140K48-7	SPUR GEAR 8 COMPLETE	1				
059		310945-7	LOCK BLOCK	1				

A:DST421ZK(N)  
B:DST421RFE(H)

Interchange  
O : Yes  
X : No  
< : the new part can be substituted for the current.  
> : the current part can be substituted for the new.  
S : Interchangeable as a set.

<b>VN</b>	<b>VIETNAM</b>
-----------	----------------

**DST421 / CORDLESS STAPLER**

Item	Sub	Parts No.	Parts Description	Qty	I/C	E/C No.	Close No.	Remark
060		232513-5	COMPRESSION SPRING 3	1				
061		221961-3	SPUR GEAR 27	3				
062		227166-3	INTERNAL GEAR 69	1				
063		267053-4	FLAT WASHER 12	1				
064		629408-5	DC MOTOR	1				
065		922127-5	HEX. SOCKET HEAD BOLT M4X16	2				
066		922112-8	HEX. SOCKET HEAD BOLT M4X10	2				
067		127632-9	DRIVER GUIDE ASSEMBLY	1			Y08189	
	D10		INC. 68-73				Y08189	
068		922102-1	HEX. SOCKET HEAD BOLT M4X6	2				
069		347685-4	CONTACT ARM GUIDE	1				
070		347682-0	CONTACT ARM	1				
071		232607-6	COMPRESSION SPRING 3	1				
072		347686-2	CONTACT TOP	1				
073		140S54-0	DRIVER GUIDE COMPLETE	1				
074		412496-7	CONTACT ARM COVER	1				
075		632P86-8	SWITCH UNIT	1				
076		347678-1	UNDER DRIVER GUIDE	1			D6361	
076-1		347778-7	UNDER DRIVER GUIDE	1	O	D6361		
077		412494-1	MAIN MAGAZINE	1				
078		347679-9	LOCK LEVER	1				
079		256956-7	PIN 4	1				
080		257502-9	SLEEVE 5	1				
081		232606-8	TORSION SPRING 8	1				
082		961017-7	STOP RING E-3	1				
083		347681-2	SUPPORTER	1				
084		266192-7	TAPPING SCREW 4X14	2				
085		140T65-1	PUSHER COMPLETE	1				
086		265A52-6	HEX.SOCKET HEAD BOLT M4X14	1				
087		162845-5	SUB MAGAZINE	1				
088		231396-0	COMPRESSION SPRING 6	1				
089		266197-7	H.S.SET SCREW(DOG POINT)M10X12	1				
090		421637-4	MAGAZINE END	1				
091		412771-1	ADJUSTER	1				
092		454627-2	DEPTH GUIDE	1				
093		266868-6	H.S.BUTTON HEAD SCREW M5X8	2				
094		266007-8	TAPPING SCREW BIND PT 3X10	2				
A01		195246-2	SAFETY GOGGLE	1				
A02		251314-2	+ SCREW M4X12	1				
A03		346317-0	HOOK	1				
A04		422591-5	NOSE ADAPTER	1				
A06		140S88-3	PLASTIC CASE COMPLETE	1				
	C10	162302-3	LATCH	2				
	C20	835H54-4	INNER TRAY	1				
A07A		8011T6-5	DST421ZK PLASTIC CASE LABEL	2				
A07B		8011T7-3	DST421RFE PLASTIC CASE LABEL	2				
A08B		***DC18RC	DC18RC FAST CHARGER	1				
	D10		COMPO-PARTS					
A09B		197600-6	BATTERY BL1830B SET	2				
A10B		450128-8	BATTERY COVER	1				

A:DST421ZK(N) B:DST421RFE(H)	Interchange O : Yes X : No < : the new part can be substituted for the current. > : the current part can be substituted for the new. S : interchangeable as a set.
---------------------------------	---