



VN	VIETNAM
----	---------

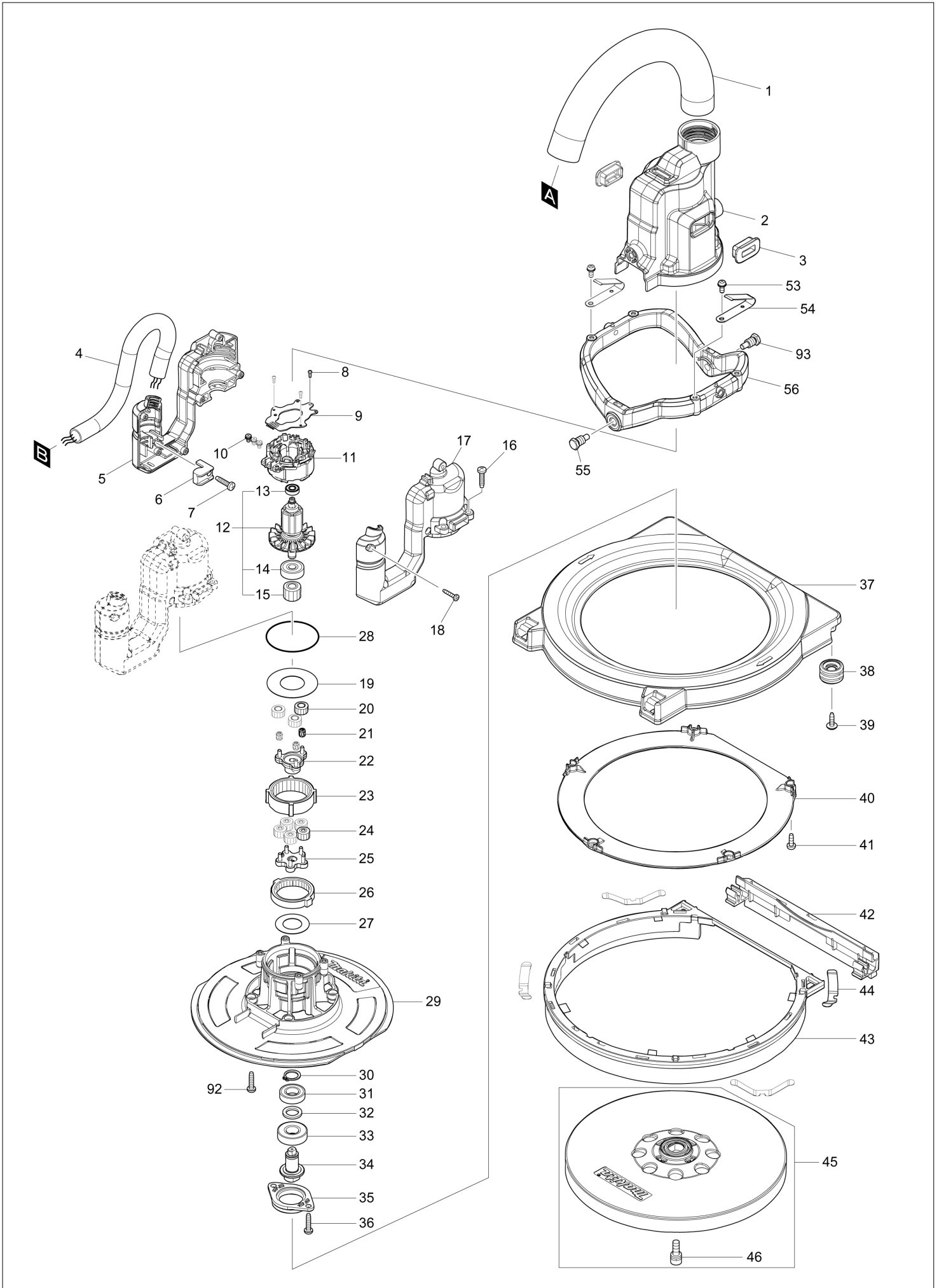
Diagram / Parts List

DSL800

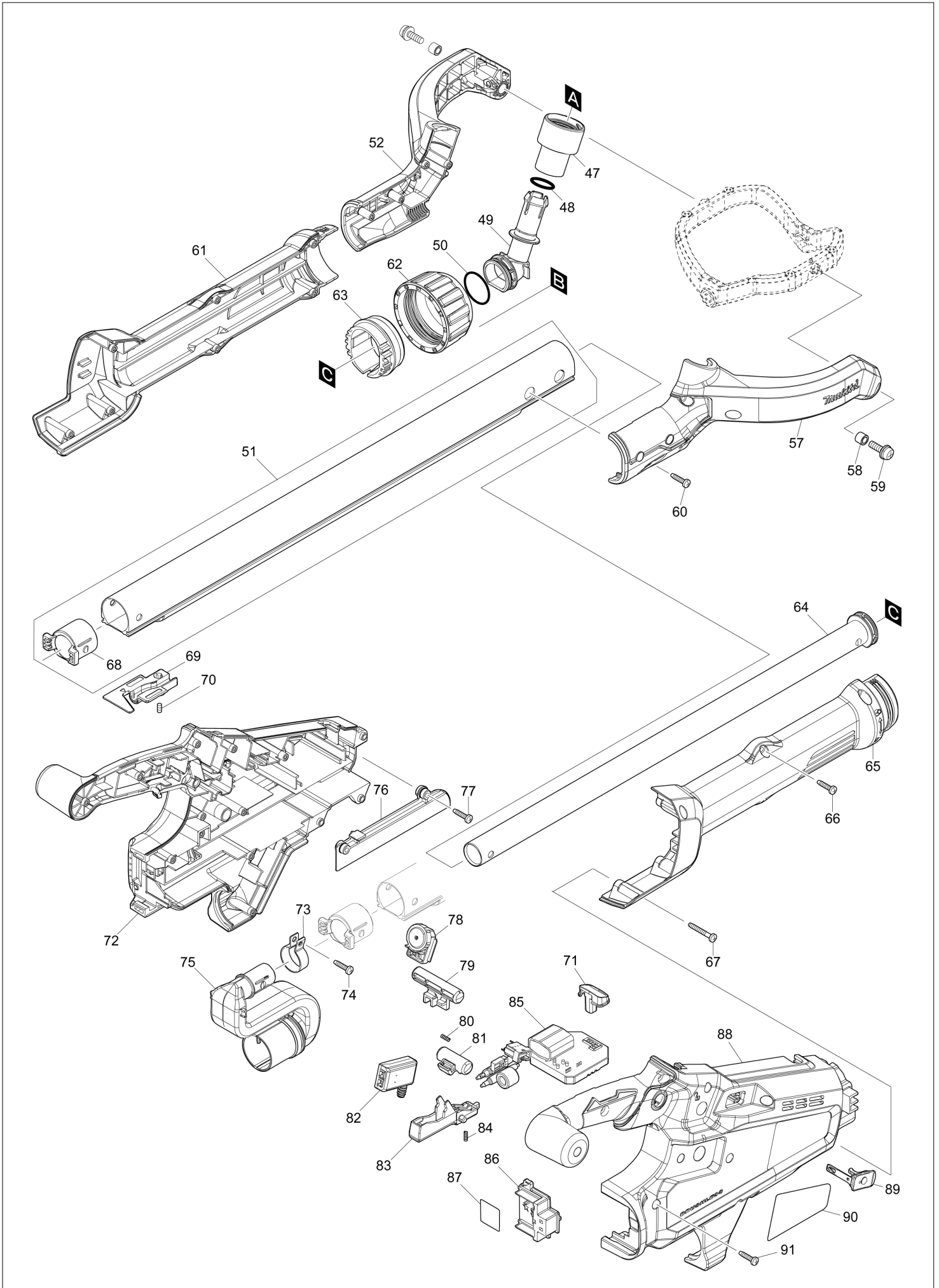
225MM CORDLESS DRYWALL SANDER



(VN) DSL800 / 225MM CORDLESS DRYWALL SANDER



(VN) DSL800 / 225MM CORDLESS DRYWALL SANDER



VN	VIETNAM
-----------	----------------

DSL800 / 225MM CORDLESS DRYWALL SANDER

Item	Sub	Parts No.	Parts Description	Qty	I/C	E/C No.	Close No.	Remark
001		245058-4	HOSE 28-0.25	1				
002		459217-6	HEAD COVER	1				
003		422446-4	RUBBER CAP	2				
004		699129-3	POWER SUPPLY CORD UNIT	1				
005		183L77-3	MOTOR HOUSING SET	1				
	D10		INC. 17					
006		687261-5	STRAIN RELIEF	1				
007		265995-6	TAPPING SCREW 4X18	1				
008		266490-9	TAPPING SCREW PT 2X6	3				
009		620B02-8	CONTROLLER B	1				
010		652069-6	FLAT HEAD SCREW M3X6	3				
011		629409-3	STATOR	1				
012		519567-2	ROTOR ASSY	1				
	D10		INC. 13-15					
013		210039-7	BALL BEARING 695DDW	1				
014		210023-2	BALL BEARING 627DDW	1				
015		226888-2	SPUR GEAR 19	1				
016		265995-6	TAPPING SCREW 4X18	4				
017		183L77-3	MOTOR HOUSING SET	1				
	D10		INC. 5					
018		266429-2	TAPPING SCREW 3X16	6				
019		253437-2	FLAT WASHER 23	1				
020		226886-6	SPUR GEAR 14	3				
021		212131-5	NEEDLE CAGE 307	3				
022		140J82-1	SPUR GEAR 17 COMPLETE	1				
023		226890-5	INTERNAL GEAR 47	1				
024		226885-8	SPUR GEAR 13	5				
025		140J81-3	CARRIER COMPLETE	1				
026		226889-0	INTERNAL GEAR 43	1				
027		267789-5	FLAT WASHER 18	1				
028		213606-7	O RING 48	1				
029		459216-8	GEAR HOUSING	1			D8475	
029-1		413828-1	GEAR HOUSING	1	S	D8475		
030		961052-5	RETAINING RING S-12	1				
031		211150-8	BALL BEARING 6901ZZ	1				
032		253746-9	FLAT WASHER 12	1				
033		210105-0	BALL BEARING 6001LLU	1				
034		327318-7	SPINDLE	1				
035		319823-8	BEARING RETAINER 47	1				
036		265995-6	TAPPING SCREW 4X18	2				
037		459218-4	COVER	1				
038		140L62-9	BEARING COVER COMPLETE	2			D0948	
038-1		140T62-7	BEARING COVER COMPLETE	2	<	D0948		
039		266901-4	TAPPING SCREW 4X14	2				
040		459219-2	BRUSH STOPPER	1			D8475	
040-1		413829-9	BRUSH STOPPER	1	S	D8475		
041		266020-6	TAPPING SCREW 4X12	5				
042		140J86-3	BRUSH B COMPLETE	1				
043		140J85-5	BRUSH A COMPLETE	1			D8475	
043-1		141C96-1	BRUSH A COMPLETE	1	S	D8475		
044		232510-1	LEAF SPRING	4				
045		199939-3	PAD 210 SET	1				
	D10		INC. 46					
046		922323-5	HEX.SOCKET HEAD BOLT M6X16	1				
047		459223-1	HOSE CONNECTOR	1			DC179	
047-1		413490-2	HOSE CONNECTOR	1	S	DC179		
048		213304-3	O RING 20	1			DC179	
049		459222-3	JOINT	1			DC179	
049-1		422617-3	JOINT	1	S	DC179		
050		213393-8	O RING 23	1			DC179	
051		140N60-5	PIPE A COMPLETE	1				
	D10		INC. 68					
052		183L76-5	ARM SET	1			DC179	
	D10		INC. 57				DC179	
052-1		183T15-3	ARM SET	1	S	DC179		

B:DSL800RTE(H)

Interchange
 O : Yes
 X : No
 < : the new part can be substituted for the current.
 > : the current part can be substituted for the new.
 S : Interchangeable as a set.

VN	VIETNAM
-----------	----------------

DSL800 / 225MM CORDLESS DRYWALL SANDER

Item	Sub	Parts No.	Parts Description	Qty	I/C	E/C No.	Close No.	Remark
	D10		INC. 57			DC179		
053		911113-1	PAN HEAD SCREW M4X10 WITH WR	2				
054		232534-7	LEAF SPRING	2				
055		265A35-6	HEX. BOLT M8X17	1				
056		319808-4	FRAME	1				
057		183L76-5	ARM SET	1			DC179	
	D10		INC. 52				DC179	
057-1		183T15-3	ARM SET	1	S	DC179		
	D10		INC. 52			DC179		
058		262561-0	SLEEVE 6	2				
059		911334-5	PAN HEAD SCREW M6X20	2				
060		265995-6	TAPPING SCREW 4X18	4				
061		183L78-1	PIPE HOUSING SET	1				
	D10		INC. 65					
062		459226-5	LOCK RING	1				
063		140J84-7	LOCK SLEEVE COMPLETE	1				
064		140L61-1	PIPE B COMPLETE	1				
	C10	459225-7	PIPE STOPPER B	1				
065		183L78-1	PIPE HOUSING SET	1				
	D10		INC. 61					
066		265995-6	TAPPING SCREW 4X18	4				
067		266050-7	TAPPING SCREW 4X30	3				
068		459224-9	PIPE STOPPER A	1				
069		459228-1	CORD HOLDER	1				
070		913106-4	SET SCREW M4X8	1				
071		140J83-9	INDICATOR PANEL COMPLETE	1				
072		183L75-7	HANDLE SET	1				
	C10	263005-3	RUBBER PIN 6	2				
	D10		INC. 88					
073		346248-3	CLAMP 24	1				
074		265995-6	TAPPING SCREW 4X18	1				
075		459234-6	DUST NOZZLE	1			DC179	
075-1		127672-7	DUST NOZZLE ASSY	1	S	DC179		
076		459229-9	CORD COVER	1				
077		265995-6	TAPPING SCREW 4X18	2				
078		620796-3	DIAL CIRCUIT	1				
079		459230-4	LOCK OFF BUTTON	1				
080		231433-0	COMPRESSION SPRING 4	1				
081		419705-5	LOCK ON BUTTON	1				
082		651083-9	SWITCH C3XA-1PSPM	1				
083		459231-2	SWITCH LEVER	1				
084		231433-0	COMPRESSION SPRING 4	1				
085		620B00-2	CONTROLLER	1				
086		644809-6	TERMINAL	1				
087		855W07-7	DSL800 SERIAL NO. LABEL	1				
088		183L75-7	HANDLE SET	1				
	C10	263005-3	RUBBER PIN 6	2				
	D10		INC. 72					
089		140F99-0	CAP COMPLETE	1				
	C10	213218-6	O RING 16	1				
	C20	818H07-8	CAP LABEL	1				
090		855W00-1	DSL800 NAME PLATE	1				
091		265995-6	TAPPING SCREW 4X18	10				
092		265995-6	TAPPING SCREW 4X18	4				
093		265A68-1	HEX. BOLT M8X22	1				
094		347816-5	EARTH PLATE A	1	S	D8475		
095		412987-8	RIVET 7	1	S	DC179		
A01		B-68404	ABRASIVE PAPER DISC 225-120	1				
A02		783217-7	HEX. WRENCH 5	1				
A03		195638-5	TOOL BAG SET	1				
A04		835B53-0	INNER TRAY	1				
A06B		450128-8	BATTERY COVER	2				
A07B		***DC18RC	DC18RC FAST CHARGER	1				
	D10		COMPO-PARTS					
A08B		197280-8	BATTERY BL1850B SET	2			C5219	

B:DSL800RTE(H)

Interchange

O : Yes

X : No

< : the new part can be substituted for the current.

> : the current part can be substituted for the new.

S : Interchangeable as a set.

