



VN	VIETNAM
----	---------

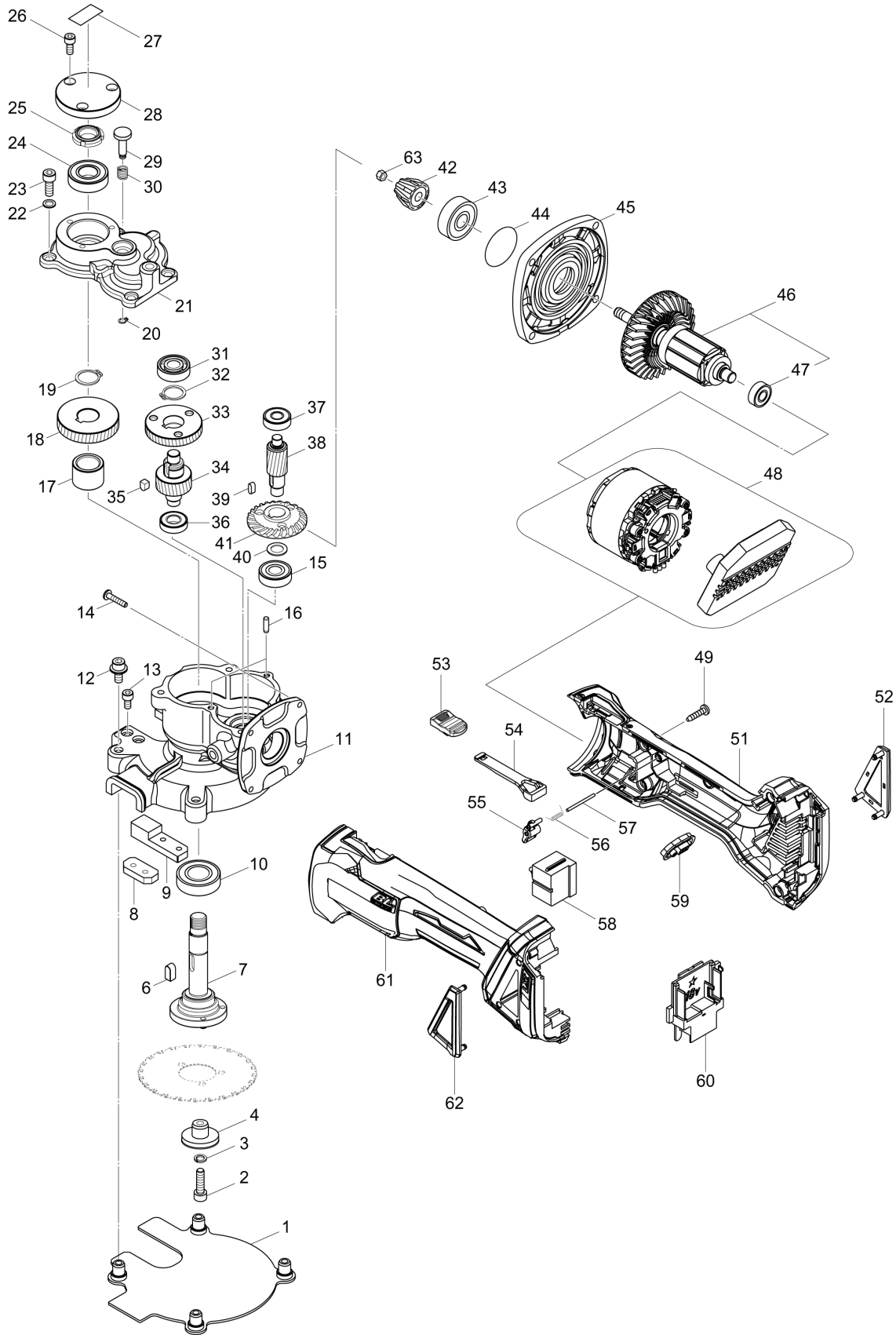
Diagram / Parts List

DSC251

CORDLESS STEEL ROD CUTTER



(VN) DSC251 / CORDLESS STEEL ROD CUTTER



VN	VIETNAM
-----------	----------------

DSC251 / CORDLESS STEEL ROD CUTTER

Item	Sub	Parts No.	Parts Description	Qty	I/C	E/C No.	Close No.	Remark
001		SC09001030	TIPPED SAW COVER	1				
002		SC07513090	HEX. SOCKET HEAD BOLT M6X22	1				
003		SC07651310	SPRING WASHER 6	1				
004		SC03510960	BLADE GUIDE	1				
006		SC03701230	KEY	1				
007		SC09004230	SPINDLE (W/PIN)	1				
008		SC03510830	MATERIAL GUIDE B	1				
009		SC03510880	MATERIAL GUIDE A	1				
010		SC07101340	BALL BEARING 6003VV	1				
011		SC03252320	GEAR CASE	1				
012		SC07541020	GT CAP SCREW M6X14	4				
013		SC07512010	BOLT HB5X5	4				
014		SC07554120	TAPPING SCREW M4X30	4				
015		SC07101010	BALL BEARING 6000Z	1				
016		SC06601720	PIN 4X20	2				
017		SC03510860	GEAR29 COLLAR	1				
018		SC03607830	GEAR29	1				
019		SC07410100	CIRCLIP S17	1				
020		SC07411250	CIRCLIP STW5	1				
021		SC03252330	GEARCASE COVER	1				
022		SC00000066	WASHER 6	4				
023		SC07513020	BOLT HB6X15	4				
024		SC07000050	BALL BEARING 6002VV	1				
025		SC07700240	FINE U NUT M15X1	1				
026		SC00000059	HEX. SOCKET HEAD BOLT 5X12	3				
027		SC08014760	CAUTION LABEL	1				
028		SC03252370	SPINDLE COVER	1				
029		SC03510840	LOCK BUTTON	1				
030		SC04008350	LOCK SPRING	1				
031		SC07101010	BALL BEARING 6000Z	1				
032		SC00000378	CIRCLIP S16	1				
033		SC03607810	GEAR41	1				
034		SC03607820	GEAR16	1				
035		SC03701660	GEAR16 KEY	1				
036		SC07104010	BALL BEARING 6900ZZ	1				
037		SC07000040	BALL BEARING 608VV	1				
038		SC03607800	GEAR13	1				
039		SC03701670	GEAR KEY	1				
040		SC03301660	GEAR13 WASHER	1				
041		227502-3	SPIRAL BEVEL GEAR 39	1				
042		221442-7	SPIRAL BEVEL GEAR 19	1				
043		210042-8	BALL BEARING 629LLB	1				
044		213445-5	O-RING 26	1				
045		319214-3	GEAR HOUSING COVER	1				
046		510329-1	ROTOR ASS'Y	1				
	D10		INC. 47					
047		210034-7	BALL BEARING 607LLB	1				
048		629176-0	STATOR COMPLETE	1				
049		266326-2	TAPPING SCREW 4X18	5				
051		187997-1	MOTOR HOUSING SET	1				
	D10		INC. 61					
052		455450-8	DUST COVER R	1				
053		455447-7	SWITCH KNOB	1				
054		455446-9	SWITCH LEVER	1				
055		455448-5	LEVER	1				
056		231679-8	TORSION SPRING 2	1				
057		268330-7	PIN 2	1				
058		650579-7	SWITCH 1246.3223	1				
059		142901-7	INDICATOR PANEL COMPLETE	1				
060		643874-2	TERMINAL	1				
061		187997-1	MOTOR HOUSING SET	1				
	D10		INC. 51					
062		455449-3	DUST COVER L	1				
063		252186-8	HEX. NUT M6	1				
A01		SC09009190	PLASTIC CASE SET	1				

B:DSC251RT(H)

Interchange

O : Yes

X : No

< : the new part can be substituted for the current.

> : the current part can be substituted for the new.

S : Interchangeable as a set.

