



VN	VIETNAM
----	---------

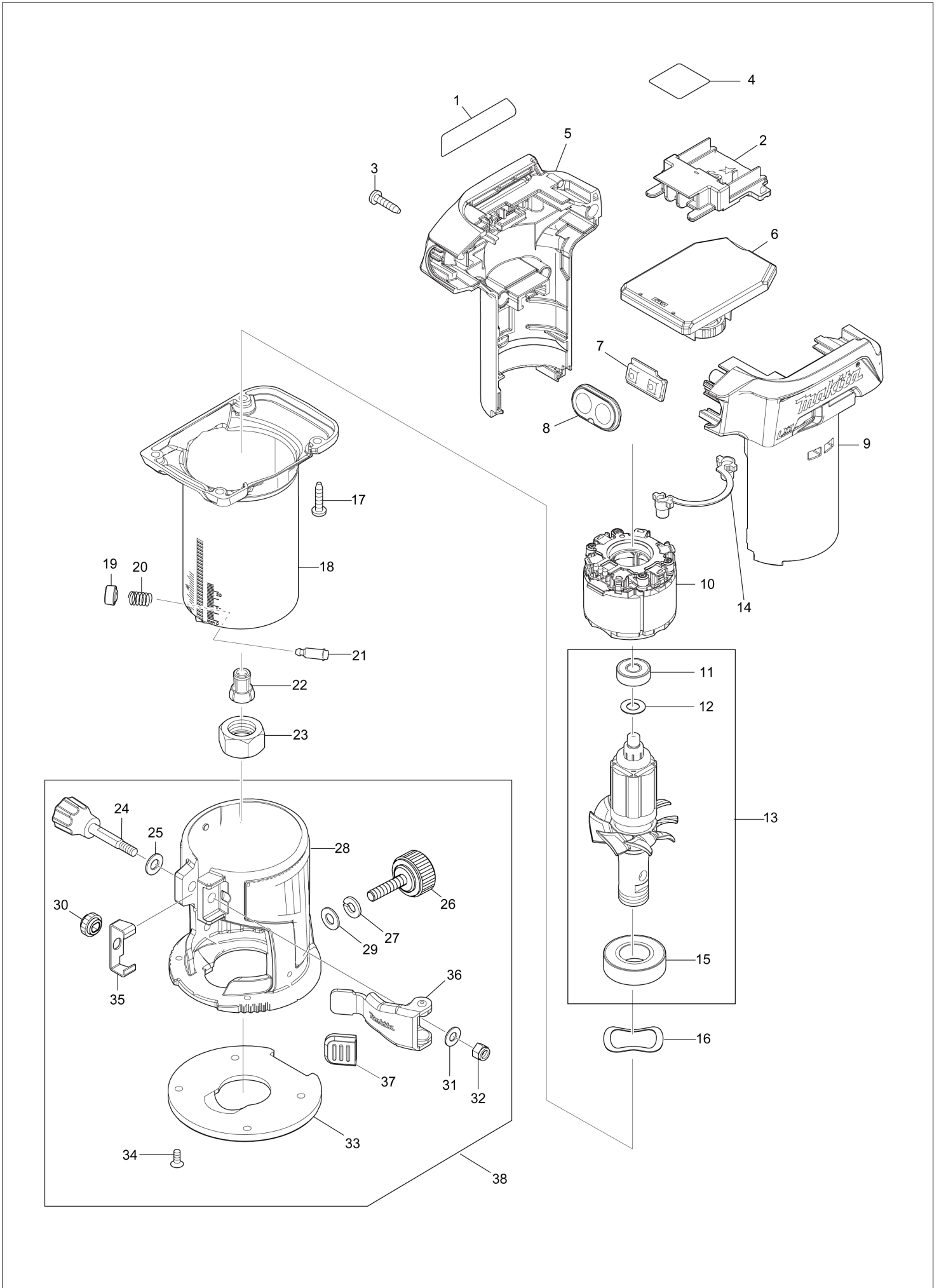
# Diagram / Parts List

**DRT50**

**CORDLESS TRIMMER**



(VN) DRT50 / CORDLESS TRIMMER



<b>VN</b>	<b>VIETNAM</b>
-----------	----------------

### DRT50 / CORDLESS TRIMMER

Item	Sub	Parts No.	Parts Description	Qty	I/C	E/C No.	Close No.	Remark
001		853N00-1	DRT50 NAME PLATE	1				
002		643874-2	TERMINAL	1				
003		266326-2	TAPPING SCREW 4X18	4				
004		853N19-0	DRT50 SERIAL NO. LABEL	1				
005		183G76-5	HOUSING SET	1				
	C10	263005-3	RUBBER PIN 6	2				
	D10		INC. 9					
006		620720-6	CONTROLLER A	1			DA272	
006-1		620F52-7	CONTROLLER A	1	<	DA272		
007		632K92-3	SWITCH UNIT	1				
008		144662-5	SWITCH PLATE COMPLETE	1				
009		183G76-5	HOUSING SET	1				
	C10	263005-3	RUBBER PIN 6	2				
	D10		INC. 5					
010		629280-5	STATOR	1				
011		210017-7	BALL BEARING 607DDW	1				
012		253186-1	FLAT WASHER 7	1				
013		519449-8	ROTOR ASSY	1				
	D10		INC. 11,12,15					
014		620721-4	LED CIRCUIT	1				
015		210301-0	BALL BEARING 6003DDW	1				
016		253906-3	WAVE WASHER 26	1				
017		266326-2	TAPPING SCREW 4X18	4				
018		144661-7	OUTER HOUSING COMPLETE	1			D5472	
018-1		144661-7	OUTER HOUSING COMPLETE	1	O	D5472		
019		452468-0	PUSH BUTTON	1				
020		233127-3	COMPRESSION SPRING 7	1				
021		256437-1	PIN 4	1				
022		763637-1	COLLET CONE 1/4"	1				
023		763615-1	COLLET NUT	1				
024		265792-0	THUMB SCREW M5X35	1				
025		941151-9	FLAT WASHER 6	1				
026		265763-7	THUMB SCREW M6X25	1				
027		942151-2	SPRING WASHER 6	1			C3118	
027-1		253428-3	SPRING WASHER 6	1	O	C3118		
028		142403-3	TRIMMER BASE COMPLETE	1				
029		941151-9	FLAT WASHER 6	1				
030		227262-7	SPUR GEAR 16	1				
031		941101-4	FLAT WASHER 5	1				
032		252103-8	HEX. LOCK NUT M5-8	1				
033		454842-8	BASE PROTECTOR	1				
034		912112-6	COUNTERSUNK HEAD SCREW M4X10	4				
035		346392-6	CAM PLATE	1				
036		163524-8	LOCK LEVER COMPLETE	1				
037		424396-9	RUBBER CAP	1				
038		196612-6	TRIMMER BASE SET	1			D7917	
	D10		INC. 24-37				D7917	
038-1		196613-4	TRIMMER BASE SET	1	<	D7917		
	D10		INC. 24-37			D7917		
A01		122965-7	STRAIGHT GUIDE ASSEMBLY	1				
	C10	252649-4	THUMB NUT M6	1				
	C20	266339-3	CAP SQUARE NECK BOLT M6X20	1				
	C30	346382-9	GUIDE PLATE	1				
A02		195559-1	DUST NOZZLE SET	1				
	C10	265774-2	THUMB SCREW M4X19	1				
A03		343577-5	TEMPLET GUIDE 10	1				
A04		763619-3	COLLET CONE 3/8"	1				
A05		781011-1	WRENCH 22	1				
A06		781039-9	WRENCH 13	1				
A07B		821552-6	CONNECTOR PLASTIC CASE (TYPE4)	1				
	C10	453974-8	LATCH	4				
A08B		813K51-8	DRT50RTJ INDICATION LABEL	1				
A09B		813K56-8	DRT50RTJ PLASTIC CASE LABEL	2				
A10B		837247-1	TRAY	1				
A20B		450128-8	BATTERY COVER	2				

B:DRT50RTJ(H)

Interchange  
 O : Yes  
 X : No  
 < : the new part can be substituted for the current.  
 > : the current part can be substituted for the new.  
 S : Interchangeable as a set.

