



|    |         |
|----|---------|
| VN | VIETNAM |
|----|---------|

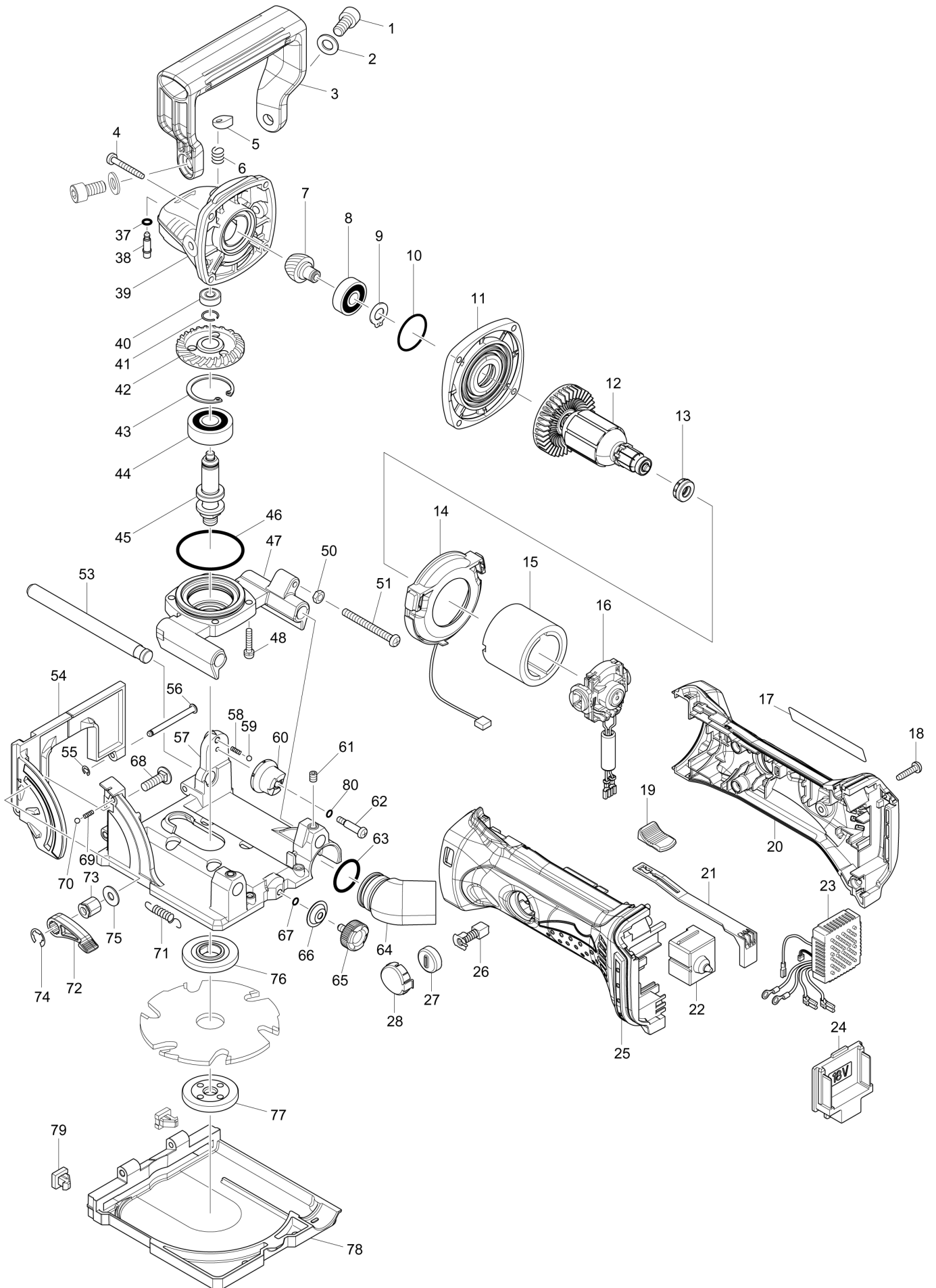
# Diagram / Parts List

**DPJ180**

**CORDLESS PLATE JOINER**



# (VN) DPJ180 / CORDLESS PLATE JOINER



|           |                |
|-----------|----------------|
| <b>VN</b> | <b>VIETNAM</b> |
|-----------|----------------|

### DPJ180 / CORDLESS PLATE JOINER

| Item | Sub | Parts No. | Parts Description             | Qty | I/C | E/C No. | Close No. | Remark |
|------|-----|-----------|-------------------------------|-----|-----|---------|-----------|--------|
| 001  |     | 922422-3  | HEX. SOCKET HEAD BOLT M8X16   | 2   |     |         |           |        |
| 002  |     | 941202-8  | FLAT WASHER 8                 | 2   |     |         |           |        |
| 003  |     | 453219-4  | GRIP                          | 1   |     |         |           |        |
| 004  |     | 266361-0  | TAPPING SCREW 4X30            | 4   |     |         |           |        |
| 005  |     | 417771-6  | PIN CAP                       | 1   |     |         |           |        |
| 006  |     | 233072-2  | COMPRESSION SPRING 8          | 1   |     |         |           |        |
| 007  |     | 227597-6  | SPIRAL BEVEL GEAR 11          | 1   |     |         |           |        |
| 008  |     | 210042-8  | BALL BEARING 629LLB           | 1   |     |         |           |        |
| 009  |     | 961005-4  | RETAINING RING S-9            | 1   |     |         |           |        |
| 010  |     | 213445-5  | O-RING 26                     | 1   |     |         |           |        |
| 011  |     | 317821-6  | GEAR HOUSING COVER            | 1   |     |         |           |        |
| 012  |     | 619295-0  | ARMATURE                      | 1   |     |         |           |        |
|      | D10 |           | INC. 7-11                     |     |     |         |           |        |
| 013  |     | 421977-0  | RUBBER RING 13                | 1   |     |         |           |        |
| 014  |     | 631714-6  | LED CIRCUIT                   | 1   |     |         |           |        |
| 015  |     | 638627-2  | YOKE UNIT                     | 1   |     |         |           |        |
| 016  |     | 638448-2  | ENDBELL COMPLETE              | 1   |     |         |           |        |
| 017  |     | 815T35-6  | DPJ180 NAME PLATE             | 1   |     |         |           |        |
| 018  |     | 266326-2  | TAPPING SCREW 4X18            | 5   |     |         |           |        |
| 019  |     | 419566-3  | SWITCH KNOB                   | 1   |     |         |           |        |
| 020  |     | 187839-9  | HOUSING SET                   | 1   |     |         |           |        |
|      | C10 | 263005-3  | RUBBER PIN 6                  | 2   |     |         |           |        |
|      | D10 |           | INC. 25                       |     |     |         |           |        |
| 021  |     | 419519-2  | SWITCH LEVER                  | 1   |     |         |           |        |
| 022  |     | 650579-7  | SWITCH 1246.3223              | 1   |     |         |           |        |
| 023  |     | 620243-4  | CONTROLLER                    | 1   |     |         |           |        |
| 024  |     | 644808-8  | TERMINAL                      | 1   |     |         |           |        |
| 025  |     | 187839-9  | HOUSING SET                   | 1   |     |         |           |        |
|      | C10 | 263005-3  | RUBBER PIN 6                  | 2   |     |         |           |        |
|      | D10 |           | INC. 20                       |     |     |         |           |        |
| 026  |     | 195018-5  | CARBON BRUSH SET CB-430       | 1   |     |         |           |        |
| 027  |     | 643954-4  | BRUSH HOLDER CAP              | 2   |     |         |           |        |
| 028  |     | 419518-4  | HOLDER CAP COVER              | 2   |     |         |           |        |
| 037  |     | 213960-9  | O RING 5                      | 1   |     |         |           |        |
| 038  |     | 256496-5  | SHOULDER PIN 4                | 1   |     |         |           |        |
| 039  |     | 141400-6  | GEAR HOUSING COMPLETE         | 1   |     |         |           |        |
|      | C10 | 263002-9  | RUBBER PIN 4                  | 1   |     |         |           |        |
| 040  |     | 210033-9  | BALL BEARING 696ZZ            | 1   |     |         |           |        |
| 041  |     | 233950-6  | RING SPRING 11                | 1   |     |         |           |        |
| 042  |     | 227598-4  | SPIRAL BEVEL GEAR 36          | 1   |     |         |           |        |
| 043  |     | 962151-6  | RETAINING RING R-32           | 1   |     |         |           |        |
| 044  |     | 211129-9  | BALL BEARING 6201DDW          | 1   |     |         |           |        |
| 045  |     | 326120-5  | SPINDLE                       | 1   |     |         |           |        |
| 046  |     | 213622-9  | O RING 45                     | 1   |     |         |           |        |
| 047  |     | 318812-0  | BEARING BOX                   | 1   |     |         |           |        |
| 048  |     | 911136-9  | PAN HEAD SCREW M4X20          | 4   |     |         |           |        |
| 050  |     | 931203-4  | HEX. NUT M5                   | 1   |     |         |           |        |
| 051  |     | 266741-0  | PAN HEAD SCREW M5X50          | 1   |     |         |           |        |
| 053  |     | 326145-9  | ROD 10                        | 2   |     |         |           |        |
| 054  |     | 141247-8  | FENCE COMPLETE                | 1   |     |         |           |        |
| 055  |     | 961017-7  | STOP RING E-3                 | 2   |     |         |           |        |
| 056  |     | 256689-4  | PIN 4                         | 2   |     |         |           |        |
| 057  |     | 318813-8  | BASE                          | 1   |     |         |           |        |
| 058  |     | 231282-5  | COMPRESSION SPRING 2.4        | 1   |     |         |           |        |
| 059  |     | 216001-0  | STEEL BALL 3.5                | 1   |     |         |           |        |
| 060  |     | 318814-6  | STOPPER                       | 1   |     |         |           |        |
| 061  |     | 266264-8  | H.S.SET SCREW(FLAT POINT)M5X6 | 2   |     |         |           |        |
| 062  |     | 266738-9  | +PAN HEAD SCREW M4            | 1   |     |         |           |        |
| 063  |     | 213008-7  | O RING 22.4                   | 1   |     |         |           |        |
| 064  |     | 415252-4  | DUST NOZZLE                   | 1   |     |         |           |        |
| 065  |     | 265785-7  | THUMB SCREW M5X10             | 1   |     |         |           |        |
| 066  |     | 232131-9  | LEAF SPRING                   | 1   |     |         |           |        |
| 067  |     | 213023-1  | O RING 4                      | 1   |     |         |           |        |
| 068  |     | 266737-1  | FLAT HEAD SQ. NECK BOLT M6X20 | 1   |     |         |           |        |
| 069  |     | 231282-5  | COMPRESSION SPRING 2.4        | 1   |     |         |           |        |

D:DPJ180RFE(H)

Interchange  
 O : Yes  
 X : No  
 < : the new part can be substituted for the current.  
 > : the current part can be substituted for the new.  
 S : Interchangeable as a set.

