



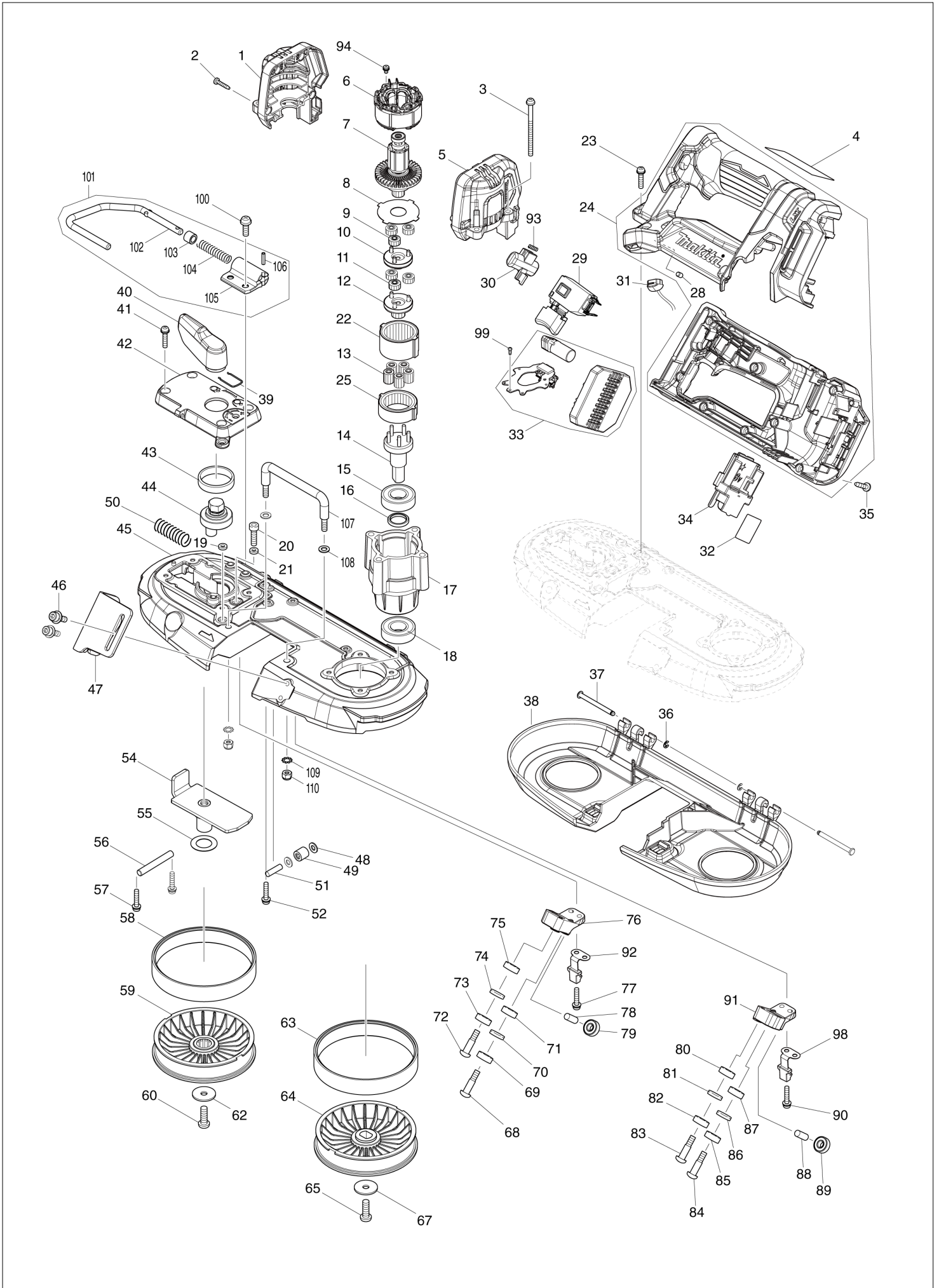
VN	VIETNAM
----	---------

# Diagram / Parts List

**DPB184**

**CORDLESS PORTABLE BAND SAW**

# (VN) DPB184 / CORDLESS PORTABLE BAND SAW



<b>VN</b>	<b>VIETNAM</b>
-----------	----------------

### DPB184 / CORDLESS PORTABLE BAND SAW

Item	Sub	Parts No.	Parts Description	Qty	I/C	E/C No.	Close No.	Remark
001		183P68-8	MOTOR HOUSING SET	1				
	D10		INC. 5					
002		266130-9	TAPPING SCREW BIND PT 3X16	4				
003		911188-0	PAN HEAD SCREW M4X60	4				
004		857F40-3	DPB184 NAME PLATE	1				
005		183P68-8	MOTOR HOUSING SET	1				
	D10		INC. 1					
006		629482-3	STATOR	1				
007		619628-9	ROTOR	1				
008		253474-6	LOCK WASHER	1				
009		226923-6	SPUR GEAR 13	3				
010		140M80-3	SPUR GEAR 14B COMPLETE	1				
011		226923-6	SPUR GEAR 13	3				
012		140M81-1	SPUR GEAR 16 COMPLETE	1				
013		226924-4	SPUR GEAR 11	5				
014		140T74-0	SPINDLE COMPLETE	1				
015		211247-3	BALL BEARING 6002DDW	1				
016		257348-3	RING 15	1				
017		319980-2	GEAR HOUSING	1				
018		211247-3	BALL BEARING 6002DDW	1				
019		262130-7	URETHANE RING 4	1				
020		265382-9	HEX. SOCKET HEAD BOLT M5X20	1				
021		262130-7	URETHANE RING 4	1				
022		226921-0	INTERNAL GEAR 40	1				
023		911138-5	P.H.SCREW M4X20 WITH WR	4				
024		183R22-4	HANDLE SET	1				
	C10	263005-3	RUBBER PIN 6	2				
	D10		INC. 28					
025		226922-8	INTERNAL GEAR 39	1				
028		263027-3	RUBBER PIN 4	1				
029		651486-7	SWITCH C3JW-4B-R	1				
030		412551-5	LOCK OFF BUTTON	1				
031		620521-2	LED CIRCUIT	1				
032		857F47-9	DPB184 SERIAL NO. LABEL	1				
033		620D05-4	CONTROLLER	1				
034		643874-2	TERMINAL	1				
035		266130-9	TAPPING SCREW BIND PT 3X16	8				
036		961017-7	STOP RING E-3	2				
037		256689-4	PIN 4	2				
038		412550-7	WHEEL COVER	1				
039		231955-0	RING SPRING 12	1				
040		271462-1	LEVER 54	1				
041		911138-5	P.H.SCREW M4X20 WITH WR	4				
042		459084-9	LEVER HOLDER	1				
043		214408-4	PLANE BEARING 30	1				
044		326351-6	LEVER SHAFT	1				
045		140V76-8	FRAME COMPLETE	1				
	C10	424736-1	SPONGE	1				
	C20	263005-3	RUBBER PIN 6	1				
046		922224-7	H.S.H.BOLT M5X16 WITH WG	2				
047		347696-9	STOPPER PLATE	1				
048		267010-2	FLAT WASHER 5	2				
049		212199-1	NEEDLE BEARING 510	1				
050		234313-9	COMPRESSION SPRING 9	1				
051		256155-1	PIN 5	1				
052		911138-5	P.H.SCREW M4X20 WITH WR	1				
054		162564-3	SLIDE PLATE	1				
055		267164-5	FLAT WASHER 15	1				
056		268241-6	PIN 6	1				
057		911138-5	P.H.SCREW M4X20 WITH WR	2				
058		424589-8	RUBBER TIRE	1				
059		140J07-5	WHEEL COMPLETE A	1				
060		265484-1	HEX. SOCKET HEAD BOLT M6X17	1				
062		267173-4	FLAT WASHER 6	1				
063		424589-8	RUBBER TIRE	1				

B:DPB184RTE(H)

Interchange  
 O : Yes  
 X : No  
 < : the new part can be substituted for the current.  
 > : the current part can be substituted for the new.  
 S : Interchangeable as a set.

VN	VIETNAM
----	---------

**DPB184 / CORDLESS PORTABLE BAND SAW**

Item	Sub	Parts No.	Parts Description	Qty	I/C	E/C No.	Close No.	Remark
064		459087-3	WHEEL B	1				
065		265484-1	HEX. SOCKET HEAD BOLT M6X17	1				
067		267173-4	FLAT WASHER 6	1				
068		251337-0	+ PAN HEAD SCREW M5	1				
069		210187-2	BALL BEARING 696ZZ	1				
070		941152-7	FLAT WASHER 6	1				
071		210187-2	BALL BEARING 696ZZ	1				
072		251337-0	+ PAN HEAD SCREW M5	1				
073		210187-2	BALL BEARING 696ZZ	1				
074		941152-7	FLAT WASHER 6	1				
075		210187-2	BALL BEARING 696ZZ	1				
076		319993-3	UPPER HOLDER	1				
077		911138-5	P.H.SCREW M4X20 WITH WR	2				
078		256033-5	PIN 6	1				
079		210187-2	BALL BEARING 696ZZ	1				
080		210187-2	BALL BEARING 696ZZ	1				
081		941152-7	FLAT WASHER 6	1				
082		210187-2	BALL BEARING 696ZZ	1				
083		251337-0	+ PAN HEAD SCREW M5	1				
084		251337-0	+ PAN HEAD SCREW M5	1				
085		210187-2	BALL BEARING 696ZZ	1				
086		941152-7	FLAT WASHER 6	1				
087		210187-2	BALL BEARING 696ZZ	1				
088		256033-5	PIN 6	1				
089		210187-2	BALL BEARING 696ZZ	1				
090		911138-5	P.H.SCREW M4X20 WITH WR	2				
091		319992-5	LOWER HOLDER	1				
092		162815-4	HOOK	1				
093		231433-0	COMPRESSION SPRING 4	1				
094		652069-6	FLAT HEAD SCREW M3X6	3				
098		162815-4	HOOK	1				
099		266490-9	TAPPING SCREW PT 2X6	3				
100		911223-4	PAN HEAD SCREW M5X16	2				
101		127601-0	HOOK ASSEMBLY	1				
	D10		INC. 102-106					
102		281028-9	HOOK	1				
103		262561-0	SLEEVE 6	1				
104		233455-6	COMPRESSION SPRING 7	1				
105		313127-0	JOINT	1				
106		951057-3	SPRING PIN 3-12	1				
107		327638-9	GUARD	1				
108		941102-2	FLAT WASHER 5	2				
109		253484-3	TOOTHED LOCK WASHER 5	2				
110		264013-7	HEX. LOCK NUT M5-8	2				
A01		783202-0	HEX. WRENCH 4	1				
A02		E-04117	BAND SAW BLADE/ 730MM LENGTH	1				
A03B		***DC18RC	DC18RC FAST CHARGER	1				
	D10		COMPO-PARTS					
A04B		197280-8	BATTERY BL1850B SET	2				
A05B		450128-8	BATTERY COVER	2				
A06B		831303-9	TOOL BAG	1				

B:DPB184RTE(H)

Interchange  
 O : Yes  
 X : No  
 < : the new part can be substituted for the current.  
 > : the current part can be substituted for the new.  
 S : Interchangeable as a set.