



VN	VIETNAM
----	---------

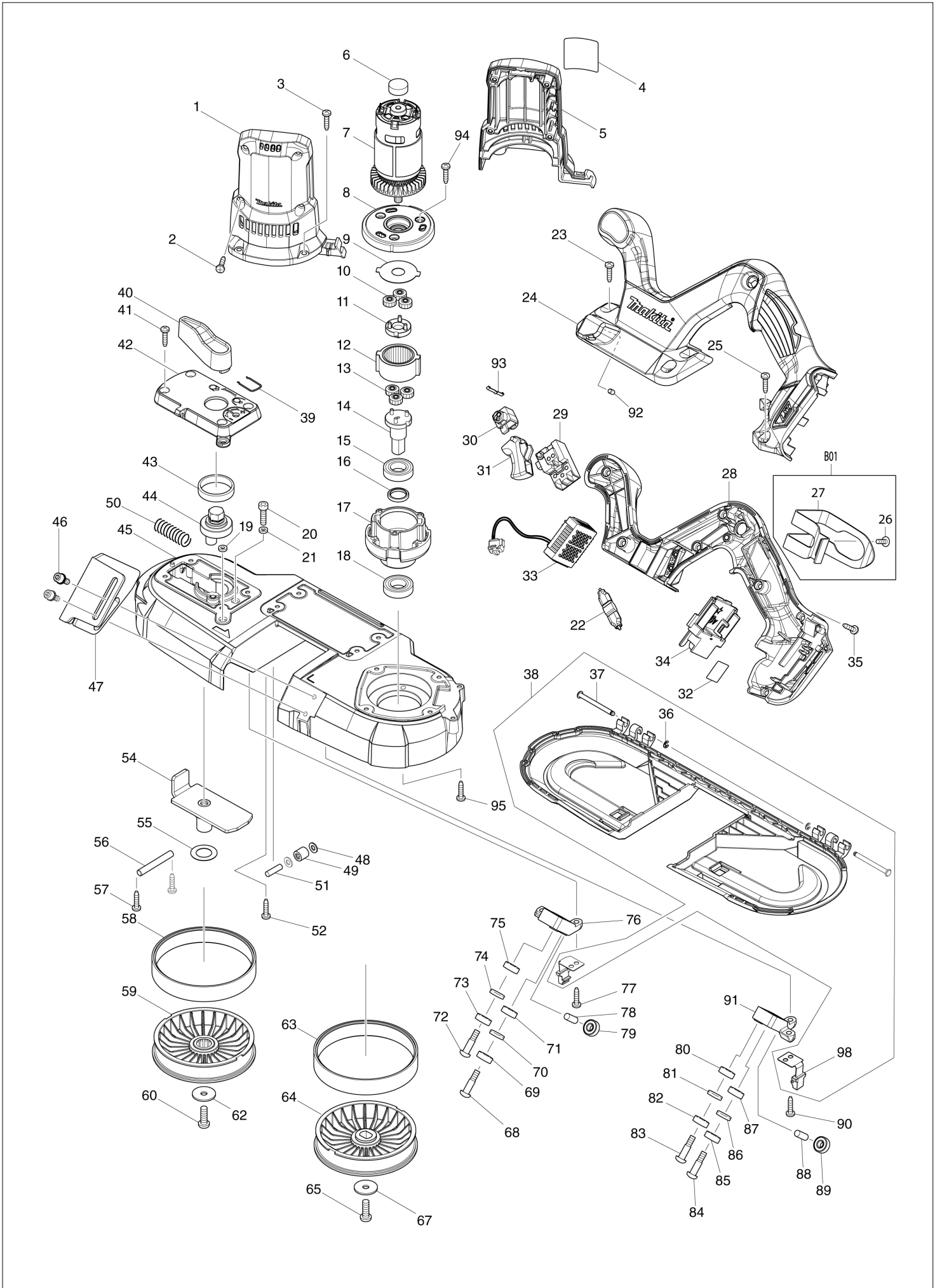
Diagram / Parts List

DPB182

CORDLESS PORTABLE BAND SAW



(VN) DPB182 / CORDLESS PORTABLE BAND SAW



VN	VIETNAM
-----------	----------------

DPB182 / CORDLESS PORTBABLE BAND SAW

Item	Sub	Parts No.	Parts Description	Qty	I/C	E/C No.	Close No.	Remark
001		187711-5	MOTOR HOUSING SET	1			D3423	
	D10		INC. 5				D3423	
001-1		187711-5	MOTOR HOUSING SET	1	>	D3423		
	D10		INC. 5			D3423		
002		266326-2	TAPPING SCREW 4X18	4				
003		266034-5	TAPPING SCREW CT 4X16	4				
004		855M88-1	DPB182 NAME PLATE	1			D3423	
004-1		855M88-1	DPB182 NAME PLATE	1	<	D3423		
005		187711-5	MOTOR HOUSING SET	1			D3423	
	D10		INC. 1				D3423	
005-1		187711-5	MOTOR HOUSING SET	1	>	D3423		
	D10		INC. 1			D3423		
006		421940-3	CAP	1				
007		629402-7	DC MOTOR	1				
008		454650-7	GEAR HOUSING COVER	1				
009		267855-8	LOCK WASHER	1				
010		227331-4	SPUR GEAR 14	3				
011		144386-3	SPUR GEAR 7 COMPLETE	1				
012		227332-2	INTERNAL GEAR 36	1				
013		226900-8	SPUR GEAR 14	3			D1826	
013-1		227820-9	SPUR GEAR 14	3	<	D1826		
014		140J06-7	SPINDLE COMPLETE	1				
015		211242-3	BALL BEARING 6902ZZ	1			D6131	
015-1		210153-9	BALL BEARING 6902ZZ	1	O	D6131		
016		257348-3	RING 15	1				
017		319793-1	GEAR HOUSING	1				
018		211242-3	BALL BEARING 6902ZZ	1			D6131	
018-1		210153-9	BALL BEARING 6902ZZ	1	O	D6131		
019		262130-7	URETHANE RING 4	1				
020		265382-9	HEX. SOCKET HEAD BOLT M5X20	1				
021		262130-7	URETHANE RING 4	1				
023		266034-5	TAPPING SCREW CT 4X16	4				
024		187763-6	HANDLE SET	1				
	C10	252126-6	HEX. LOCK NUT M4-7	2				
	C20	263005-3	RUBBER PIN 6	2				
	D10		INC. 28					
025		266034-5	TAPPING SCREW CT 4X16	2				
028		187763-6	HANDLE SET	1				
	C10	252126-6	HEX. LOCK NUT M4-7	2				
	C20	263005-3	RUBBER PIN 6	2				
	D10		INC. 24					
029		650705-8	SWITCH TG73BDS-1	1				
030		419504-5	LOCK OFF BUTTON	1				
031		454651-5	SWITCH LEVER	1				
032		855M95-4	DPB182 SERIAL NO. LABEL	1				
033		632L42-4	CONTROLLER UNIT	1				
	C10	654208-4	RECEPTACLE	1				
	C20	654069-2	RECEPTACLE	1				
034		643874-2	TERMINAL	1				
035		266326-2	TAPPING SCREW 4X18	7				
039		231955-0	RING SPRING 12	1				
040		272230-5	LEVER 54	1				
041		266034-5	TAPPING SCREW CT 4X16	4				
042		459084-9	LEVER HOLDER	1				
043		214408-4	PLANE BEARING 30	1				
044		326351-6	LEVER SHAFT	1				
045		140J09-1	FRAME COMPLETE	1				
	C10	424736-1	SPONGE	1				
	C20	263005-3	RUBBER PIN 6	1				
046		922218-2	H.S.H.BOLT M5X14 WITH WR	2				
047		346728-9	STOPPER PLATE	1				
048		267010-2	FLAT WASHER 5	2				
049		212199-1	NEEDLE BEARING 510	1				
050		234313-9	COMPRESSION SPRING 9	1				
051		256155-1	PIN 5	1				

B:DPB182RTE(H)

Interchange
O : Yes
X : No
< : the new part can be substituted for the current.
> : the current part can be substituted for the new.
S : Interchangeable as a set.

DPB182 / CORDLESS PORTBABLE BAND SAW

Item	Sub	Parts No.	Parts Description	Qty	I/C	E/C No.	Close No.	Remark
052		266034-5	TAPPING SCREW CT 4X16	1				
054		162564-3	SLIDE PLATE	1				
055		267164-5	FLAT WASHER 15	1				
056		268241-6	PIN 6	1				
057		266034-5	TAPPING SCREW CT 4X16	2				
058		424589-8	RUBBER TIRE	1				
059		140J07-5	WHEEL COMPLETE A	1				
060		265484-1	H.S.BUTTON HEAD SCREW M6X17	1				
062		267173-4	FLAT WASHER 6	1				
063		424589-8	RUBBER TIRE	1				
064		459087-3	WHEEL B	1				
065		265484-1	H.S.BUTTON HEAD SCREW M6X17	1				
067		267173-4	FLAT WASHER 6	1				
068		251337-0	+ PAN HEAD SCREW M5	1				
069		210187-2	BALL BEARING 696ZZ	1				
070		941152-7	FLAT WASHER 6	1				
071		210187-2	BALL BEARING 696ZZ	1				
072		251337-0	+ PAN HEAD SCREW M5	1				
073		210187-2	BALL BEARING 696ZZ	1				
074		941152-7	FLAT WASHER 6	1				
075		210187-2	BALL BEARING 696ZZ	1				
076		319400-6	UPPER HOLDER 42	1				
077		266034-5	TAPPING SCREW CT 4X16	2				
078		256033-5	PIN 6	1				
079		210187-2	BALL BEARING 696ZZ	1				
080		210187-2	BALL BEARING 696ZZ	1				
081		941152-7	FLAT WASHER 6	1				
082		210187-2	BALL BEARING 696ZZ	1				
083		251337-0	+ PAN HEAD SCREW M5	1				
084		251337-0	+ PAN HEAD SCREW M5	1				
085		210187-2	BALL BEARING 696ZZ	1				
086		941152-7	FLAT WASHER 6	1				
087		210187-2	BALL BEARING 696ZZ	1				
088		256033-5	PIN 6	1				
089		210187-2	BALL BEARING 696ZZ	1				
090		266034-5	TAPPING SCREW CT 4X16	2				
091		319074-3	LOWER HOLDER 42	1				
092		263002-9	RUBBER PIN 4	1				
093		232201-4	LEAF SPRING	1				
094		266034-5	TAPPING SCREW CT 4X16	3				
095		266034-5	TAPPING SCREW CT 4X16	3				
A01		783202-0	HEX. WRENCH 4	1				
A02		B-40559	PORTABLE BANDSAW BLADE 18TPI	1				
A03B		***DC18RC	DC18RC FAST CHARGER	1				
	D10		COMPO-PARTS					
A04B		197280-8	BATTERY BL1850B SET	2			C5219	
A04-1B		197280-8	BATTERY BL1850B SET	2	O	C5219		
A05B		450128-8	BATTERY COVER	2				
A06B		831303-9	TOOL BAG	1				

B:DPB182RTE(H)	Interchange O : Yes X : No < : the new part can be substituted for the current. > : the current part can be substituted for the new. S : Interchangeable as a set.
----------------	---