



VN	VIETNAM
----	---------

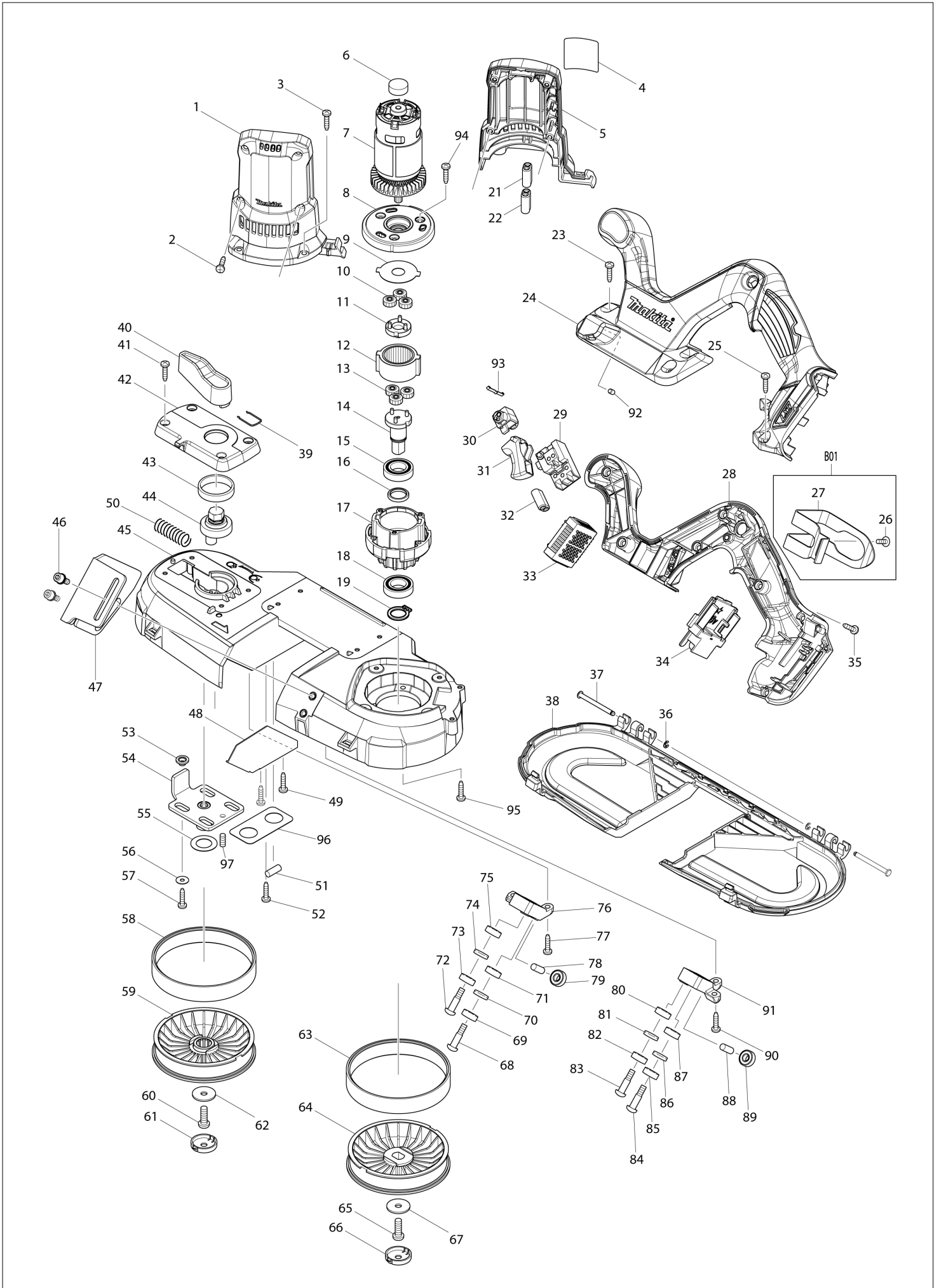
Diagram / Parts List

DPB181

CORDLESS PORTABLE BAND SAW



(VN) DPB181 / CORDLESS PORTABLE BAND SAW



VN	VIETNAM
-----------	----------------

DPB181 / CORDLESS PORTABLE BAND SAW

Item	Sub	Parts No.	Parts Description	Qty	I/C	E/C No.	Close No.	Remark
001		187711-5	MOTOR HOUSING SET	1			D3423	
	D10		INC. 5				D3423	
001-1		187711-5	MOTOR HOUSING SET	1	>	D3423		
	D10		INC. 5			D3423		
002		266326-2	TAPPING SCREW 4X18	4			D7021	
002-1		265A48-7	TAPPING SCREW 4X18	4	O	D7021		
003		266326-2	TAPPING SCREW 4X18	4			D7021	
003-1		265A48-7	TAPPING SCREW 4X18	4	O	D7021		
004		814X89-4	DPB181 NAME PLATE	1			D3423	
004-1		814X89-4	DPB181 NAME PLATE	1	<	D3423		
005		187711-5	MOTOR HOUSING SET	1			D3423	
	D10		INC. 1				D3423	
005-1		187711-5	MOTOR HOUSING SET	1	>	D3423		
	D10		INC. 1			D3423		
006		421940-3	CAP	1				
007		629994-6	DC MOTOR	1				
008		454650-7	GEAR HOUSING COVER	1				
009		267855-8	LOCK WASHER	1				
010		227331-4	SPUR GEAR 14	3				
011		142355-8	SPUR GEAR 7 COMPLETE	1			B6983	
011-1		144386-3	SPUR GEAR 7 COMPLETE	1	<	B6983		
012		227332-2	INTERNAL GEAR 36	1				
013		227331-4	SPUR GEAR 14	3				
014		142356-6	SPINDLE COMPLETE	1				
015		211242-3	BALL BEARING 6902ZZ	1				
016		257348-3	RING 15	1				
017-1		455790-4	GEAR HOUSING	1				
018		211242-3	BALL BEARING 6902ZZ	1				
019		961055-9	RETAINING RING S-15	1				
023		266326-2	TAPPING SCREW 4X18	4			D7021	
023-1		265A48-7	TAPPING SCREW 4X18	4	O	D7021		
024		187762-8	HANDLE SET	1				
	C10	252126-6	HEX. LOCK NUT M4-7	2				
	C20	263005-3	RUBBER PIN 6	2				
	D10		INC. 28					
025		266326-2	TAPPING SCREW 4X18	2			D7021	
025-1		265A48-7	TAPPING SCREW 4X18	2	O	D7021		
028		187762-8	HANDLE SET	1				
	C10	252126-6	HEX. LOCK NUT M4-7	2				
	C20	263005-3	RUBBER PIN 6	2				
	D10		INC. 24					
029		650705-8	SWITCH TG73BDS-1	1				
030		419504-5	LOCK OFF BUTTON	1				
031		454651-5	SWITCH LEVER	1				
033		539218-1	CONTROLLER ASSEMBLY	1			A2505	
	C10	654199-9	RECEPTACLE	1			A2505	
033-1		632C03-0	CONTROLLER UNIT	1	<	A2505	B9456	
	C10	654199-9	RECEPTACLE	1		A2505	B9456	
033-2		632L42-4	CONTROLLER UNIT	1	O	B9456		
	C10	654199-9	RECEPTACLE	1		B9456	Y07747	
	C11	654208-4	RECEPTACLE	1	O	Y07747		
	C20	654069-2	RECEPTACLE	1		Y07747		
034		643899-6	TERMINAL	1				
035		266326-2	TAPPING SCREW 4X18	7			D7021	
035-1		265A48-7	TAPPING SCREW 4X18	7	O	D7021		
039		231955-0	RING SPRING 12	1				
040		272230-5	LEVER 54	1				
041		266326-2	TAPPING SCREW 4X18	4			D7021	
041-1		265A48-7	TAPPING SCREW 4X18	4	O	D7021		
042		454614-1	LEVER HOLDER	1				
043		214408-4	PLANE BEARING 30	1				
044		326351-6	LEVER SHAFT	1				
045-1		143270-9	FRAME COMPLETE	1			B3633	
	C10	424736-1	SPONGE	1			B3633	
045-2		144143-9	FRAME COMPLETE	1	<	B3633		

Interchange
O : Yes
X : No
< : the new part can be substituted for the current.
> : the current part can be substituted for the new.
S : Interchangeable as a set.

VN	VIETNAM
-----------	----------------

DPB181 / CORDLESS PORTABLE BAND SAW

Item	Sub	Parts No.	Parts Description	Qty	I/C	E/C No.	Close No.	Remark
	C10	424736-1	SPONGE	1		B3633		
046		922218-2	H.S.H.BOLT M5X14 WITH WR	2				
047		346728-9	STOPPER PLATE	1				
048		346729-7	PLATE	1				
049		266326-2	TAPPING SCREW 4X18	2			D7021	
049-1		265A48-7	TAPPING SCREW 4X18	2	O	D7021		
050		234313-9	COMPRESSION SPRING 9	1				
051		256033-5	PIN 6	1				
052		266326-2	TAPPING SCREW 4X18	1			D7021	
052-1		265A48-7	TAPPING SCREW 4X18	1	O	D7021		
053		343494-9	SLEEVE 5	4				
054		165738-5	SLIDE PLATE	1				
055		267164-5	FLAT WASHER 15	1				
056		253874-0	FLAT WASHER 4	4				
057		266326-2	TAPPING SCREW 4X18	4			D7021	
057-1		265A48-7	TAPPING SCREW 4X18	4	O	D7021		
058-1		424589-8	RUBBER TIRE	1				
059		142358-2	WHEEL COMPLETE B	1				
060		265484-1	HEX. SOCKET HEAD BOLT M6X17	1				
061		454730-9	CAP	1				
062		253010-8	FLAT WASHER 6	1				
063-1		424589-8	RUBBER TIRE	1				
064		142357-4	WHEEL COMPLETE A	1				
065		265484-1	HEX. SOCKET HEAD BOLT M6X17	1				
066		454730-9	CAP	1				
067		253010-8	FLAT WASHER 6	1				
068		251337-0	+ PAN HEAD SCREW M5	1				
069		210033-9	BALL BEARING 696ZZ	1				
070		941152-7	FLAT WASHER 6	1				
071		210033-9	BALL BEARING 696ZZ	1				
072		251337-0	+ PAN HEAD SCREW M5	1				
073		210033-9	BALL BEARING 696ZZ	1				
074		941152-7	FLAT WASHER 6	1				
075		210033-9	BALL BEARING 696ZZ	1				
076		319075-1	UPPER HOLDER 42	1			B2559	
076-1		319400-6	UPPER HOLDER 42	1	<	B2559		
077		266326-2	TAPPING SCREW 4X18	2			D7021	
077-1		265A48-7	TAPPING SCREW 4X18	2	O	D7021		
078		256033-5	PIN 6	1				
079		210033-9	BALL BEARING 696ZZ	1				
080		210033-9	BALL BEARING 696ZZ	1				
081		941152-7	FLAT WASHER 6	1				
082		210033-9	BALL BEARING 696ZZ	1				
083		251337-0	+ PAN HEAD SCREW M5	1				
084		251337-0	+ PAN HEAD SCREW M5	1				
085		210033-9	BALL BEARING 696ZZ	1				
086		941152-7	FLAT WASHER 6	1				
087		210033-9	BALL BEARING 696ZZ	1				
088		256033-5	PIN 6	1				
089		210033-9	BALL BEARING 696ZZ	1				
090		266326-2	TAPPING SCREW 4X18	2			D7021	
090-1		265A48-7	TAPPING SCREW 4X18	2	O	D7021		
091		319074-3	LOWER HOLDER 42	1				
092		263002-9	RUBBER PIN 4	1				
093		232201-4	LEAF SPRING	1				
094		266326-2	TAPPING SCREW 4X18	3			D7021	
094-1		265A48-7	TAPPING SCREW 4X18	3	O	D7021		
095		266326-2	TAPPING SCREW 4X18	3			D7021	
095-1		265A48-7	TAPPING SCREW 4X18	3	O	D7021		
096		346798-8	PROTECTION PLATE	1				
097		266213-5	H.S.SET SCREW(FLAT POINT)M5X12	1				
A01		783202-0	HEX. WRENCH 4	1				
A02		196658-2	BAND SAW BLADE	1			Y07539	
A02-1		B-40559	PORTABLE BANDSAW BLADE 18TPI	1	<	Y07539		

Interchange
O : Yes
X : No
< : the new part can be substituted for the current.
> : the current part can be substituted for the new.
S : Interchangeable as a set.