



VN	VIETNAM
----	---------

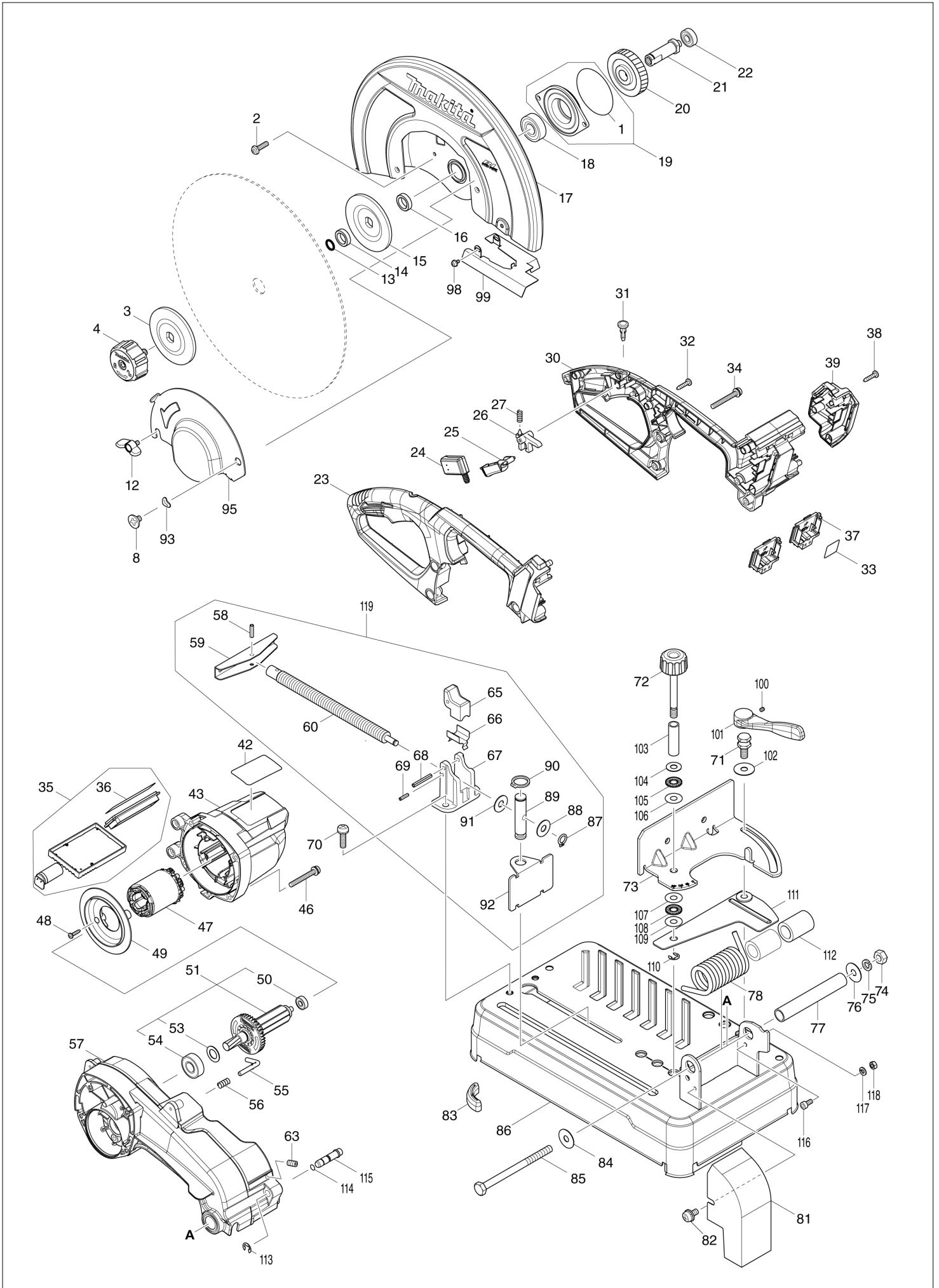
# Diagram / Parts List

**DLW140**

**355MM DC PORTABLE CUT-OFF**



# (VN) DLW140 / 355MM DC PORTABLE CUT-OFF



<b>VN</b>	<b>VIETNAM</b>
-----------	----------------

### DLW140 / 355MM DC PORTABLE CUT-OFF

Item	Sub	Parts No.	Parts Description	Qty	I/C	E/C No.	Close No.	Remark
001		213858-0	O-RING 65	1				
002		265122-5	PAN HEAD SCREW M5X20	4				
003		224299-5	FLANGE 90	1				
004		123478-1	TOOLLESSBOLT ASSEMBLY	1				
008		265121-7	+ FLAT HEAD SCREW M6	1				
012		265754-8	THUMB SCREW M6X12	1				
013		213180-5	O RING 14	1				
014		257255-0	RING 17	1				
015		224299-5	FLANGE 90	1				
016		257255-0	RING 17	1				
017		162489-1	SAFETY COVER	1				
018		211282-1	BALL BEARING 6203ZZ	1				
019		136029-1	BEARING BOX ASSY	1				
	D10		INC. 1					
020		227811-0	HELICAL GEAR 50	1				
021		324321-9	SPINDLE	1				
022		210067-2	BALL BEARING 6000ZZ	1				
023		183K57-3	HANDLE SET	1			D0817	
	C10	263005-3	RUBBER PIN 6	3			D0817	
	D10		INC. 30				D0817	
023-1		183N94-5	HANDLE SET	1	<	D0817		
	C10	263005-3	RUBBER PIN 6	3		D0817		
	D10		INC. 30			D0817		
024		651083-9	SWITCH C3XA-1PSPM	1				
025		458737-7	SWITCH LEVER	1				
026		418139-9	SWITCH LOCK	1				
027		231397-8	COMPRESSION SPRING 4	1				
030		183K57-3	HANDLE SET	1			D0817	
	C10	263005-3	RUBBER PIN 6	3			D0817	
	D10		INC. 23				D0817	
030-1		183N94-5	HANDLE SET	1	<	D0817		
	C10	263005-3	RUBBER PIN 6	3		D0817		
	D10		INC. 23			D0817		
031		417113-4	SWITCH BUTTON	1				
032		266326-2	TAPPING SCREW 4X18	5				
033		854Y37-7	DLW140 SERIAL NO. LABEL	1				
034		265104-7	PAN HEAD SCREW M5X40	4				
035		620982-6	CONTROLLER COMPLETE	1				
	D10		INC. 36					
036		818B34-9	INDICATION LABEL	1				
037		644809-6	TERMINAL	2				
038		266326-2	TAPPING SCREW 4X18	3				
039		140D72-8	BATTERY COVER COMPLETE	1				
	C10	263005-3	RUBBER PIN 6	1				
042		854Y30-1	DLW140 NAME PLATE	1				
043		458733-5	MOTOR HOUSING	1				
046		265104-7	PAN HEAD SCREW M5X40	4				
047		629377-0	STATOR	1				
048		266326-2	TAPPING SCREW 4X18	2				
049		458736-9	BAFFLE PLATE	1				
050		210062-2	BALL BEARING 607ZZ	1				
051		519537-1	ROTOR ASSY	1				
	D10		INC. 50,53,54					
053		267274-8	FLAT WASHER 15	1				
054		211240-7	BALL BEARING 6202ZZ	1				
055		324322-7	STOPPER	1				
056		233372-0	COMPRESSION SPRING 7	1				
057		140D69-7	GEAR HOUSING COMPLETE	1				
	C10	263005-3	RUBBER PIN 6	1				
058		951163-4	SPRING PIN 5-20	1				
059		272027-2	HANDLE 120	1				
060		324323-5	WISE SCREW	1			C7289	
060-1		326802-9	WISE SCREW	1	O	C7289		
063		251961-9	H.S.SET SCREW(FLAT POINT)M6X10	1				
065		313114-9	WISE NUT	1				

B:DLW140PT2(H)

Interchange  
O : Yes  
X : No  
< : the new part can be substituted for the current.  
> : the current part can be substituted for the new.  
S : Interchangeable as a set.

