



VN	VIETNAM
----	---------

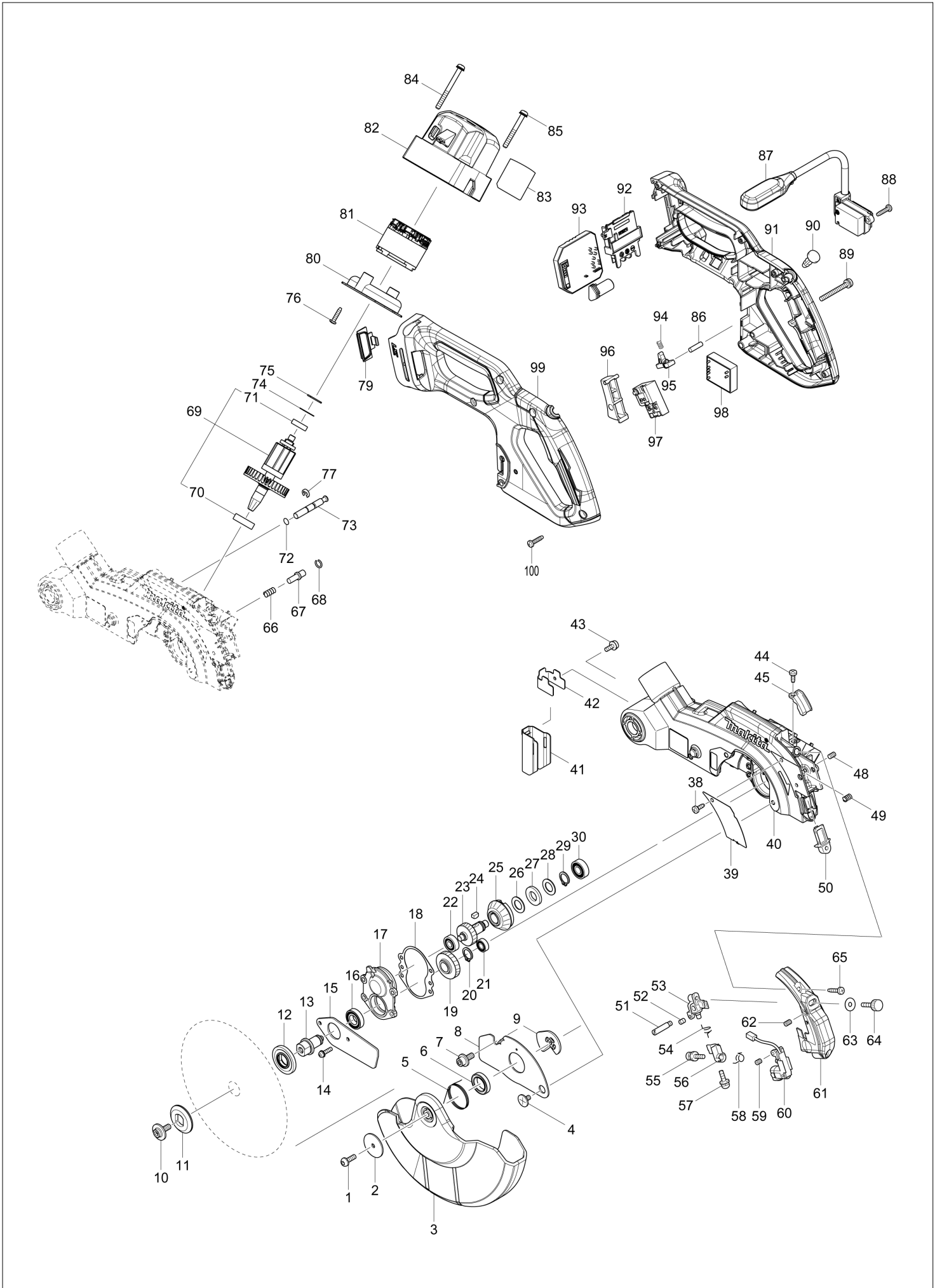
# Diagram / Parts List

**DLS600**

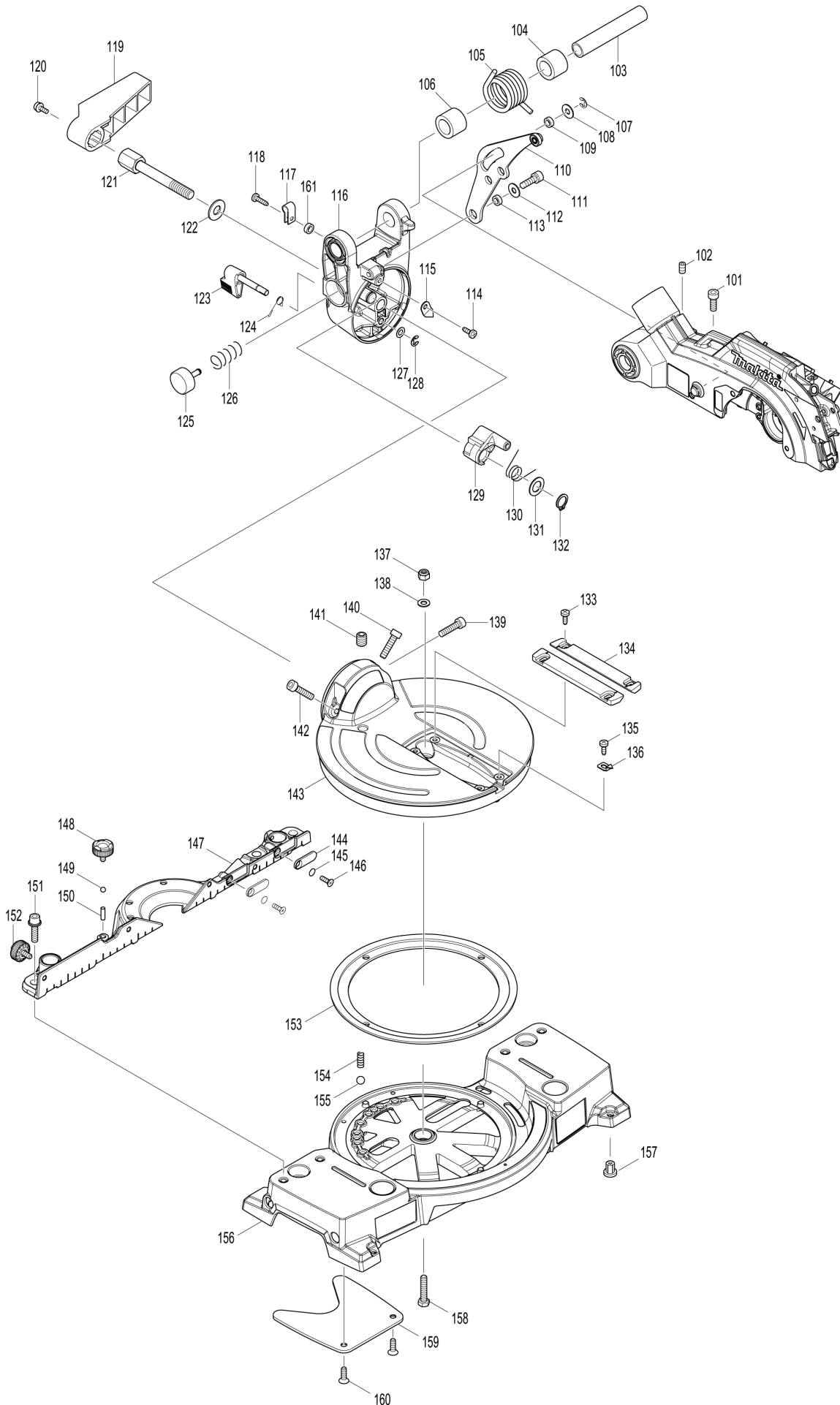
**165MM CORDLESS MITER SAW**



# (VN) DLS600 / 165MM CORDLESS MITER SAW



# (VN) DLS600 / 165MM CORDLESS MITER SAW



<b>VN</b>	<b>VIETNAM</b>
-----------	----------------

### DLS600 / 165MM CORDLESS MITER SAW

Item	Sub	Parts No.	Parts Description	Qty	I/C	E/C No.	Close No.	Remark
001		265491-4	H.S. BUTTON HEAD BOLT M5X16	1				
002		267136-0	FLAT WASHER 5	1				
003		458077-3	SAFETY COVER	1				
004		265008-3	+ FLAT HEAD SCREW M5	1				
005		232311-7	TORSION SPRING 30	1				
006		210150-5	BALL BEARING 6803DDW	1				
007		266732-1	HEX. SOCKET HEAD BOLT M6X16	1				
008		347060-4	CENTER COVER	1				
009		347059-9	CENTER PLATE	1				
010		266733-9	HEX. S.F.H. BOLT M6X16	1				
011		224409-4	OUTER FLANGE 35	1				
012		224593-5	INNER FLANGE 35	1				
013		325866-0	SPINDLE	1				
014		911128-8	P.H.SCREW M4X16 WITH WR	4				
015		347295-7	BEARING RETAINER	1				
016		211288-9	BALL BEARING 6901DDW	1				
017		318534-2	BEARING BOX	1				
018		442152-5	GASKET	1				
019		227727-9	HELICAL GEAR 39	1				
020		961052-5	RETAINING RING S-12	1				
021		210006-2	BALL BEARING 696ZZ	1				
022		210017-7	BALL BEARING 607DDW	1				
023		227726-1	HELICAL GEAR 31	1				
024		254011-9	WOODRUFF KEY 4	1				
025		227565-9	SPIRAL BEVEL GEAR 35	1				
026		253744-3	FLAT WASHER 12	1				
027		261104-5	RUBBER WASHER 12	1				
028		253744-3	FLAT WASHER 12	1				
029		961052-5	RETAINING RING S-12	1				
030		210005-4	BALL BEARING 608DDW	1				
038		266026-4	TAPPING SCREW BIND CT 4X12	1				
039		346171-2	COVER PLATE	1				
040		144796-4	BLADE CASE COMPLETE	1				
	C10	263002-9	RUBBER PIN 4	4				
	C20	263005-3	RUBBER PIN 6	1				
041		424870-7	GUARD	1				
042		347057-3	GUARD PLATE	1				
043		911113-1	PAN HEAD SCREW M4X10 WITH WR	1				
044		266026-4	TAPPING SCREW BIND CT 4X12	1				
045		458075-7	LEAD COVER	1				
048		266229-0	H.S.SET SCREW(CUP POINT)M5X8	1				
049		233471-8	COMPRESSION SPRING 6	1				
050		418104-8	LENS	1				
051		266306-8	SHOULDER SCREW M5	1				
052		266318-1	H.S.SET SCREW(FLAT POINT)M4X6	1				
053		419379-2	BLOCK C	1				
054		231664-1	TORSION SPRING 9	1				
055		911003-8	PAN HEAD SCREW M3X6	1				
056		419378-4	BLOCK B	1				
057		911003-8	PAN HEAD SCREW M3X6	1				
058		231664-1	TORSION SPRING 9	1				
059		266318-1	H.S.SET SCREW(FLAT POINT)M4X6	1				
060		638442-4	LASER CIRCUIT COMPLETE	1				
061		140344-7	LASER COVER COMPLETE	1				
062		266229-0	H.S.SET SCREW(CUP POINT)M5X8	1				
063		253807-5	FLAT WASHER 5	1				
064		265753-0	THUMB SCREW M5X24	1				
065		266042-6	TAPPING SCREW BIND CT 4X20	2				
066		231240-1	COMPRESSION SPRING 7	1				
067		256633-1	PIN 6	1				
068		231928-3	RING SPRING 8	1				
069		519400-8	ROTOR ASSEMBLY	1				
	D10		INC. 70,71					
070		211131-2	BALL BEARING 6001DDW	1				
071		210017-7	BALL BEARING 607DDW	1				

B:DLS600RTE(H)

Interchange

O : Yes

X : No

< : the new part can be substituted for the current.

> : the current part can be substituted for the new.

S : Interchangeable as a set.

<b>VN</b>	<b>VIETNAM</b>
-----------	----------------

### DLS600 / 165MM CORDLESS MITER SAW

Item	Sub	Parts No.	Parts Description	Qty	I/C	E/C No.	Close No.	Remark
072		213021-5	O RING 5	1				
073		326769-1	STOPPER PIN	1				
074		253842-3	FLAT WASHER 14	1				
075		261153-2	URETHAN WASHER 15	1				
076		265995-6	TAPPING SCREW 4X18	2				
077		961018-5	STOP RING E-5	1				
079		144033-6	INDICATION PLATE COMPLETE	1				
080		456908-0	BAFFLE PLATE	1				
081		629215-6	STATOR	1				
082		456910-3	MOTOR HOUSING	1				
083		853T32-4	DLS600 NAME PLATE	1				
084		911278-9	PAN HEAD SCREW M5X55	2				
085		911268-2	PAN HEAD SCREW M5X45	2				
086		256123-4	PIN 5	1				
087		620558-9	LED CIRCUIT	1				
088		265995-6	TAPPING SCREW 4X18	2				
089		911268-2	PAN HEAD SCREW M5X45	1				
090		417113-4	SWITCH BUTTON	1				
091		183E52-7	HANDLE SET	1				
	C10	263005-3	RUBBER PIN 6	2				
	D10		INC. 99					
092		643874-2	TERMINAL	1				
093		620761-2	CONTROLLER A	1				
094		231026-3	COMPRESSION SPRING 4	1				
095		416533-9	LOCK OFF LEVER	1				
096		416534-7	SWITCH LEVER	1				
097		650705-8	SWITCH TG73BDS-1	1				
098		620551-3	POWER SUPPLY CIRCUIT	1				
099		183E52-7	HANDLE SET	1				
	C10	263005-3	RUBBER PIN 6	2				
	D10		INC. 91					
100		265995-6	TAPPING SCREW 4X18	6				
101		266757-5	HEX. SOCKET HEAD BOLT M6X16	1				
102		251961-9	H.S.SET SCREW(FLAT POINT)M6X10	1				
103		331350-5	PIN 16-90	1				
104		416535-5	SLEEVE 17	1				
105		232310-9	TORSION SPRING 28	1				
106		416535-5	SLEEVE 17	1				
107		961018-5	STOP RING E-5	1				
108		253804-1	FLAT WASHER 6	1				
109		257163-5	RING 6	1				
110		144791-4	LINK PLATE COMPLETE	1				
111		922331-6	HEX. SOCKET HEAD BOLT M6X20	1				
112		253804-1	FLAT WASHER 6	1				
113		257163-5	RING 6	1				
114		266026-4	TAPPING SCREW BIND CT 4X12	1				
115		347058-1	INDICATION PLATE	1			C3190	
115-1		458646-0	INDICATION PLATE	1	O	C3190		
116		144795-6	ARM COMPLETE	1				
	C10	816438-7	OPERATIONAL INDICATION LABEL	1				
117		687045-1	STRAIN RELIEF	1				
118		266034-5	TAPPING SCREW CT 4X16	1				
119		416006-2	LEVER 100	1				
120		911113-1	PAN HEAD SCREW M4X10 WITH WR	1				
121		251495-2	HEX. BOLT M10	1				
122		253024-7	FLAT WASHER 10	1				
123		272266-4	LEVER 25	1				
124		233563-3	TORSION SPRING 8	1				
125		415208-7	RELEASE BUTTON	1				
126		233031-6	COMPRESSION SPRING 12	1				
127		253726-5	FLAT WASHER 6	1				
128		961018-5	STOP RING E-5	1				
129		318533-4	STOPPER	1				
130		231646-3	TORSION SPRING 14	1				
131		253744-3	FLAT WASHER 12	1				

B:DLS600RTE(H)

Interchange  
O : Yes  
X : No  
< : the new part can be substituted for the current.  
> : the current part can be substituted for the new.  
S : Interchangeable as a set.

<b>VN</b>	<b>VIETNAM</b>
-----------	----------------

**DLS600 / 165MM CORDLESS MITER SAW**

Item	Sub	Parts No.	Parts Description	Qty	I/C	E/C No.	Close No.	Remark
132		961052-5	RETAINING RING S-12	1				
133		266026-4	TAPPING SCREW BIND CT 4X12	4				
134		456907-2	KERF BOARD	2				
135		266026-4	TAPPING SCREW BIND CT 4X12	1				
136		816128-2	POINTER	1				
137		252014-7	HEX. LOCK NUT M6-10	1				
138		941151-9	FLAT WASHER 6	1				
139		251582-7	HEX SOCKET HEAD BOLT M6X25	1				
140		251582-7	HEX SOCKET HEAD BOLT M6X25	1				
141		251966-9	H.S.SET SCREW(FLATPOINT)M10X12	1				
142		251582-7	HEX SOCKET HEAD BOLT M6X25	1				
143		144028-9	TURN BASE COMPLETE	1				
144		346169-9	FENCE PLATE	2				
145		213021-5	O RING 5	2				
146		265156-8	+COUNTERSUNK HEAD SCREW M	2				
147		318537-6	GUIDE FENCE	1				
148		265785-7	THUMB SCREW M5X10	1				
149		216008-6	STEEL BALL 4	1				
150		256034-3	PIN 4	1				
151		922344-7	H.S.H.BOLT M6X25 WITH WG	4				
152		265785-7	THUMB SCREW M5X10	1				
153		450138-5	SLIDE PLATE	1				
154		231038-6	COMPRESSION SPRING 6	1				
155		216004-4	STEEL BALL 7.9	1				
156		144792-2	BASE COMPLETE	1				
	C10	809V03-1	MITER SCALE PLATE	1				
	C20	813L22-1	CAUTION LABEL	2				
	C30	810486-8	CAUTION LABEL	1				
	C40	810064-4	LASER BEAM CAUTION LABEL	1				
157		286255-3	CAP 13	4				
158		921352-5	HEX. BOLT M6X30	1				
159		144034-4	SUB PLATE COMPLETE	1				
160		912222-9	COUNTERSUNK HEAD SCREW M5X16	2				
161		257163-5	RING 6	1				
A01		122940-3	VICE ASS'Y	1				
	C10	251887-5	SCREW M6X10	1				
	C20	326006-3	WISE ROD	1				
	C30	265733-6	THUMB SCREW M10X60	1				
	C40	316938-2	WISE ARM	1				
	C50	253804-1	FLAT WASHER 6	1				
	C60	343651-9	WISE PLATE	1				
	C70	251370-2	+ PAN HEAD SCREW M5	1				
A02		122884-7	DUST BAG ASSEMBLY	1				
	C10	410602-8	FASTENER	1				
A03		762001-3	TRIANGULAR RULE	1				
A04		783208-8	HEX. WRENCH 2.5	1				
A05		783203-8	HEX. WRENCH 5	1				
A07		B-56487	TCT SAW BLADE 165X20X64T WOOD	1				
A08B		450128-8	BATTERY COVER	2				
A09B		***DC18RC	DC18RC FAST CHARGER	1				
A10B		197280-8	BATTERY BL1850B SET	2			C5219	
A10-1B		197280-8	BATTERY BL1850B SET	2	O	C5219		

B:DLS600RTE(H)

Interchange  
O : Yes  
X : No  
< : the new part can be substituted for the current.  
> : the current part can be substituted for the new.  
S : Interchangeable as a set.