



VN	VIETNAM
----	---------

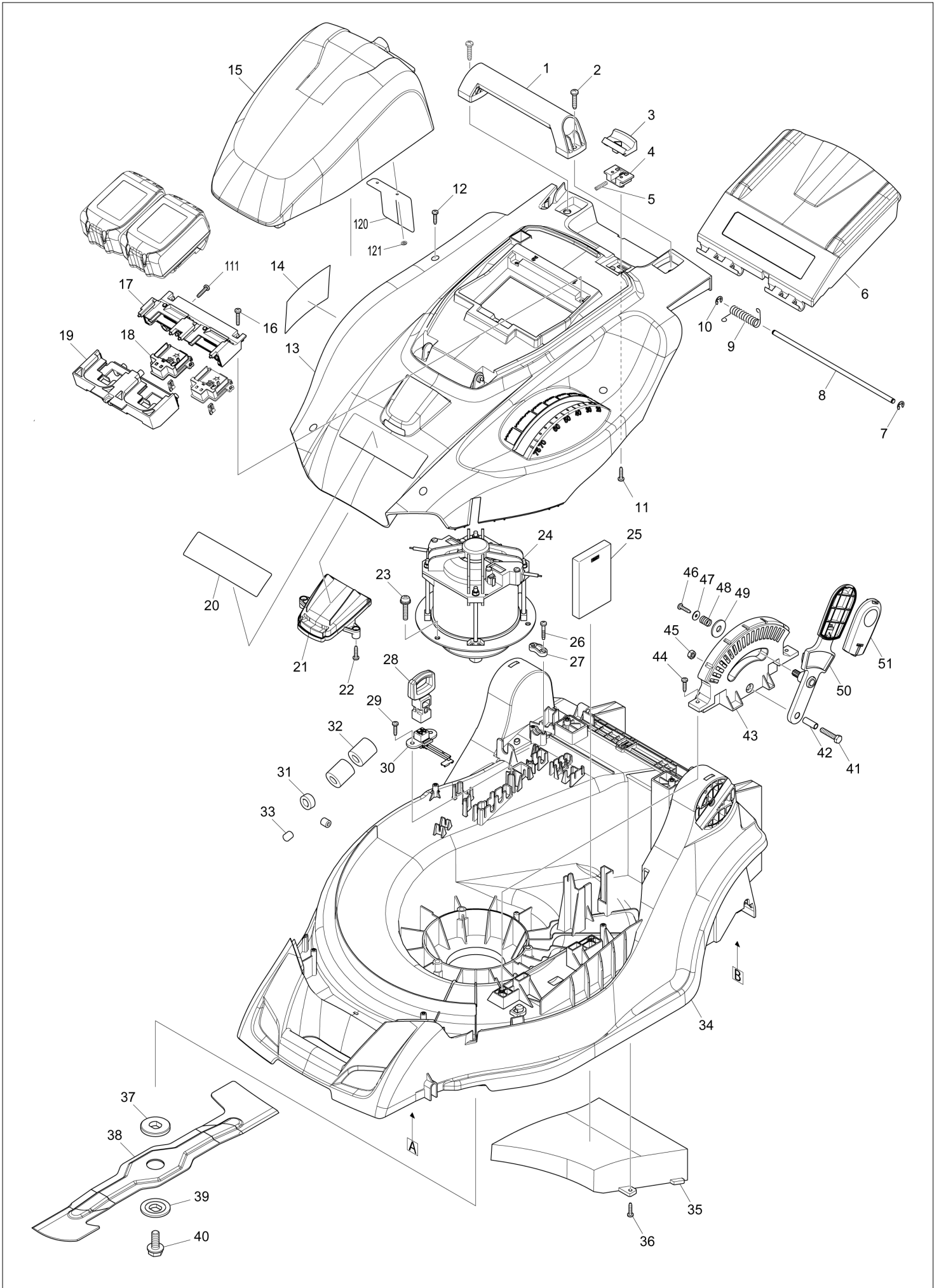
# Diagram / Parts List

**DLM431**

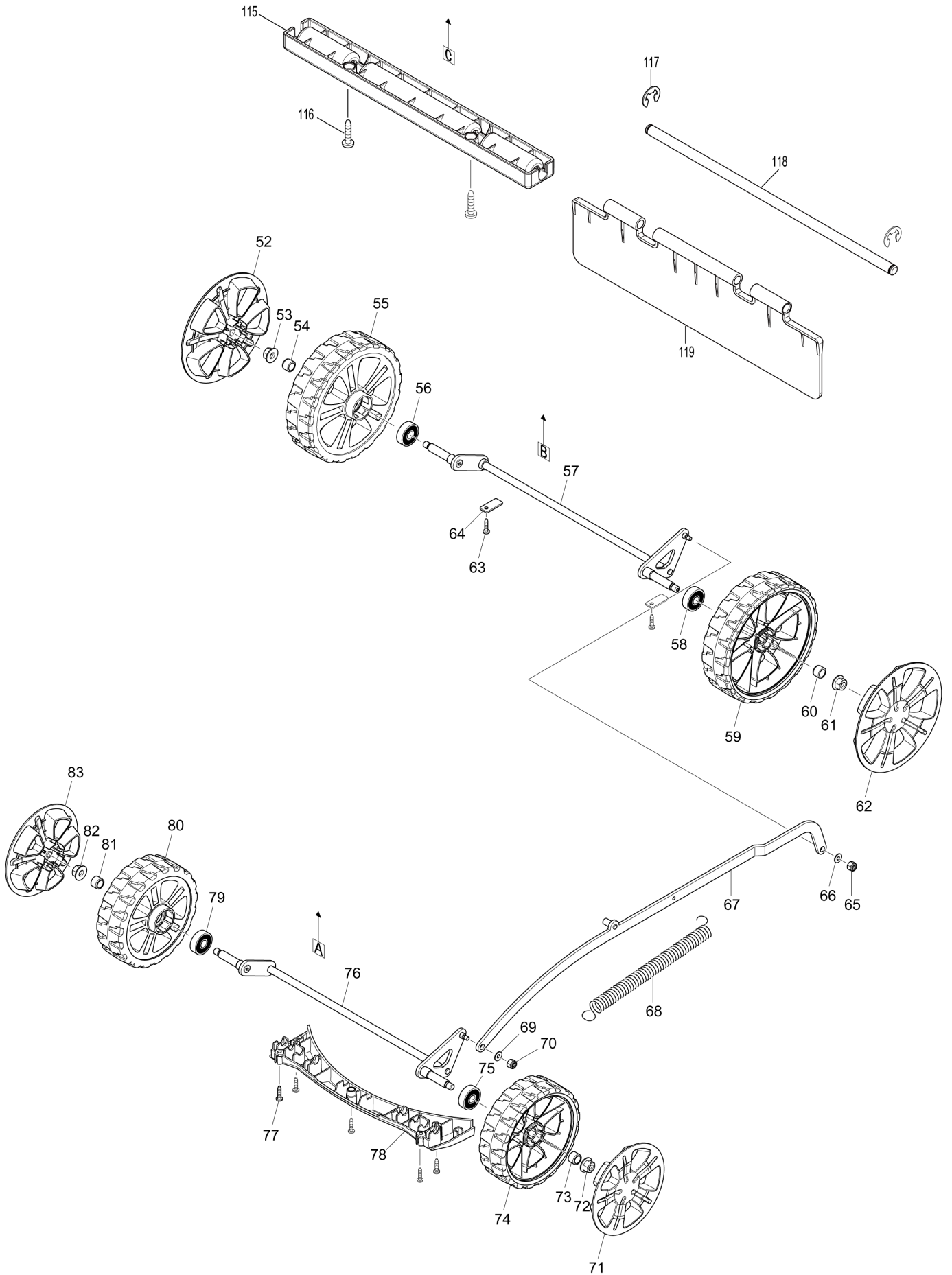
**430MM CORDLESS LAWN MOWER**



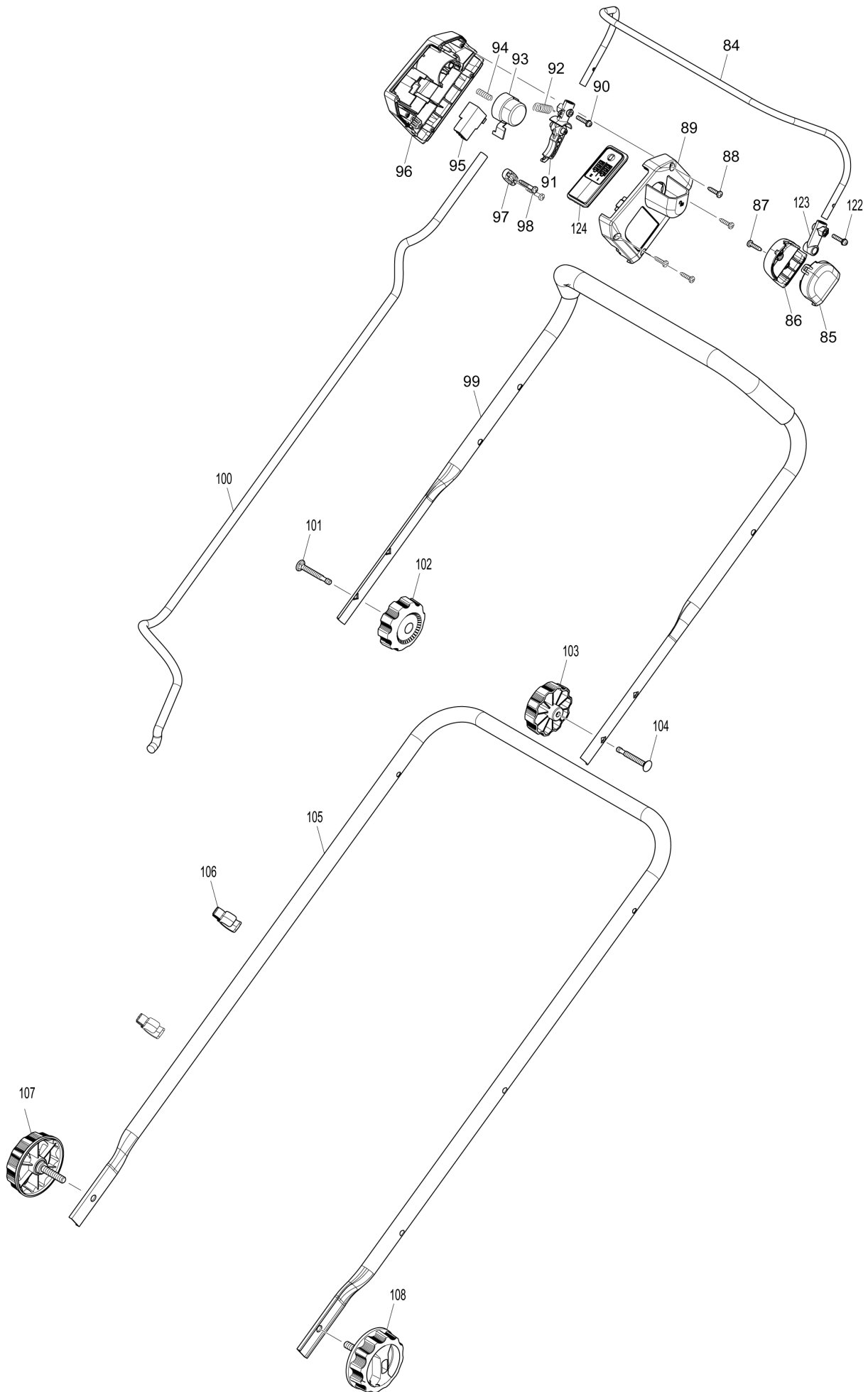
(VN) DLM431 / 430MM CORDLESS LAWN MOWER



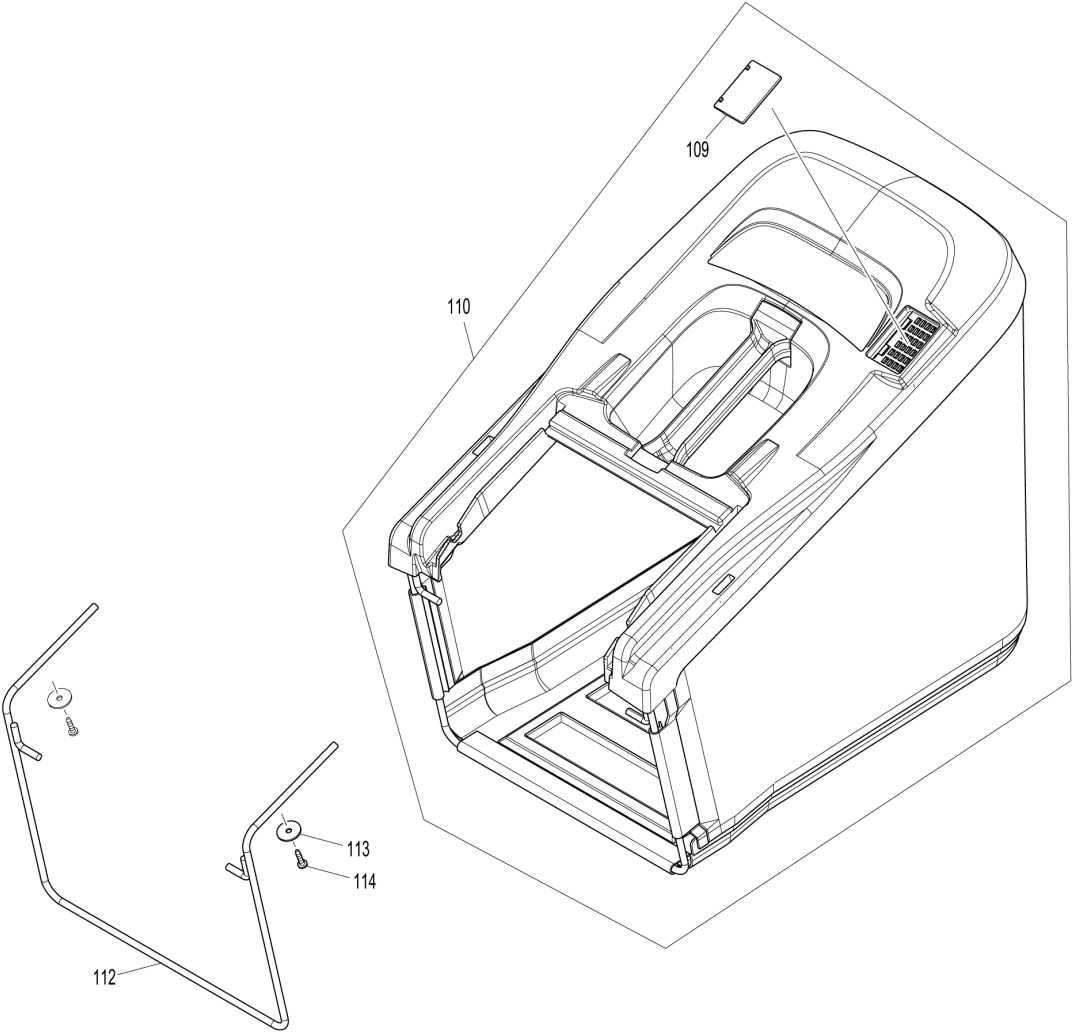
(VN) DLM431 / 430MM CORDLESS LAWN MOWER



(VN) DLM431 / 430MM CORDLESS LAWN MOWER



(VN) DLM431 / 430MM CORDLESS LAWN MOWER



<b>VN</b>	<b>VIETNAM</b>
-----------	----------------

### DLM431 / 430MM CORDLESS LAWN MOWER

Item	Sub	Parts No.	Parts Description	Qty	I/C	E/C No.	Close No.	Remark
001		273675-0	GRIP A	1				
002		266459-3	TAPPING SCREW 5X25	2				
003		453250-0	LOCK LEVER	1				
004		453251-8	LOCK LEVER SUPPORT	1				
005		233173-6	COMPRESSION SPRING 4	1				
006		141300-0	REAR FLAP COMPLETE	1			B3271	
	C10	890375-3	CAUTION LABEL	1			B3271	
006-1		144076-8	REAR FLAP COMPLETE	1	<	B3271		
	C10	890375-3	CAUTION LABEL	1		B3271		
007		961018-5	STOP RING E-5	1			Y07880	
007-1		LC961018-5	STOP RING (EXT) E-5	1	O	Y07880		
008		256871-5	ROD 6	1			Y07880	
008-1		LC256871-5	ROD 6	1	O	Y07880		
009		233597-6	TORSION SPRING 8	1			Y07880	
009-1		LC233597-6	TORSION SPRING 8	1	O	Y07880		
010		961018-5	STOP RING E-5	1			Y07880	
010-1		LC961018-5	STOP RING (EXT) E-5	1	O	Y07880		
011		266326-2	TAPPING SCREW 4X18	2				
012		266326-2	TAPPING SCREW 4X18	4				
013		456347-4	COWLING M	1			C8164	
013-1		456347-4	COWLING M	1	<	C8164		
014		851P60-9	DLM431 NAME PLATE	1				
015		143506-6	BATTERY COVER COMPLETE E	1				
	C10	890380-0	CAUTION LABEL	1				
	D10		INC. 120,121					
016		266326-2	TAPPING SCREW 4X18	3				
017		187926-4	TERMINAL HOUSING SET	1				
	C10	263005-3	RUBBER PIN 6	4				
	D10		INC. 19					
018		644808-8	TERMINAL	2				
019		187926-4	TERMINAL HOUSING SET	1				
	C10	263005-3	RUBBER PIN 6	4				
	D10		INC. 17					
020		890383-4	MAKITA LOGO LABEL	1				
021		453258-4	COWLING COVER	1			C8164	
021-1		LC453258-4	COWLING COVER	1		Y07983		
022		266326-2	TAPPING SCREW 4X18	2			C8164	
023		266774-5	+ PAN HEAD SCREW M6X30 WITH WR	3			C7883	
023-1		265672-0	+ PAN HEAD SCREW M6X35 WITH WR	3	S	C7883		
024		629177-8	DC MOTOR	1			C7883	
024-1		629434-4	DC MOTOR	1	S	C7883		
025		620479-5	CONTROLLER	1				
026		265999-8	TAPPING SCREW 4X25	2				
027		687149-9	STRAIN RELIEF	1				
028		643890-4	KEY	1				
029		266326-2	TAPPING SCREW 4X18	2				
030		632F82-6	LEAD UNIT	1				
034		456346-6	DECK	1			C7883	
034-1		459533-6	DECK	1	<	C7883		
035		453239-8	UNDER COVER	1				
036		266326-2	TAPPING SCREW 4X18	3				
037		224444-2	INNER FLANGE 40	1				
038		196060-9	BLADE 430 SET	1			B1429	
038-1		197761-2	BLADE 430 SET	1	<	B1429		
039		224445-0	OUTER FLANGE 40	1				
040		266731-3	HEX. BOLT M10X25	1				
041		921352-5	HEX. BOLT M6X30	1			Y07880	
041-1		LC921352-5	HEX.BOLT M6X30	1	O	Y07880		
042		257670-8	SLEEVE 6	1			Y07880	
042-1		LC257670A8	SLEEVE 6	1	O	Y07880		
043		453255-0	ADJUST PLATE	1				
044		266326-2	TAPPING SCREW 4X18	2				
045		931302-2	HEX. NUT M6	1				
046		266326-2	TAPPING SCREW 4X18	1				
047		267102-7	FLAT WASHER 4	1			Y07880	

B:DLM431PM2(H)  
C:DLM431PT2(H)

Interchange  
O : Yes  
X : No  
< : the new part can be substituted for the current.  
> : the current part can be substituted for the new.  
S : Interchangeable as a set.

<b>VN</b>	<b>VIETNAM</b>
-----------	----------------

### DLM431 / 430MM CORDLESS LAWN MOWER

Item	Sub	Parts No.	Parts Description	Qty	I/C	E/C No.	Close No.	Remark
047-1		LC267102A7	FLAT WASHER 4	1	O	Y07880		
048		231297-2	COMPRESSION SPRING 9	1			Y07880	
048-1		LC231297-2	COMPRESSION SPRING 9	1	O	Y07880		
049		253808-3	FLAT WASHER 9	1			Y07880	
049-1		LC253808A3	FLAT WASHER 9	1	O	Y07880		
050		453252-6	CHANGE LEVER	1			C8164	
050-1		459099-6	CHANGE LEVER	1	S	C8164		
051		453253-4	CHANGE LEVER COVER	1			C8164	
052		453241-1	REAR WHEEL CAP	1			C8164	
053		252145-2	COLLARED HEX NUT M8	1			Y07880	
053-1		LC252145-2	COLLARED HEX. NUT M8	1	O	Y07880		
054		214067-4	PLANE BEARING 10	1			C8164	
055		453243-7	REAR WHEEL	1			C8164	
055-1		459101-5	REAR WHEEL	1	S	C8164		
056		210070-3	BALL BEARING 6200ZZ	1			Y07983	
056-1		LC210070-3	BALL BEARING 6200ZZ	1	O	Y07983		
057		165669-8	REAR SHAFT	1				
058		210070-3	BALL BEARING 6200ZZ	1			Y07983	
058-1		LC210070-3	BALL BEARING 6200ZZ	1	O	Y07983		
059		453243-7	REAR WHEEL	1			C8164	
059-1		459101-5	REAR WHEEL	1	S	C8164		
060		214067-4	PLANE BEARING 10	1			C8164	
061		252145-2	COLLARED HEX NUT M8	1			Y07880	
061-1		LC252145-2	COLLARED HEX. NUT M8	1	O	Y07880		
062		453241-1	REAR WHEEL CAP	1			C8164	
063		266326-2	TAPPING SCREW 4X18	2				
064		346545-7	PLATE	2			Y07880	
064-1		LC346545-7	PLATE	2	O	Y07880		
065		252103-8	HEX. LOCK NUT M5-8	1				
066		941101-4	FLAT WASHER 5	1			Y07880	
066-1		LC941101-4	FLAT WASHER 5	1	O	Y07880		
067		346543-1	CONNECTING ROD	1				
068		231875-8	TENSION SPRING 16	1			Y07880	
068-1		LC231875-8	TENSION SPRING 16	1	O	Y07880		
069		941101-4	FLAT WASHER 5	1			Y07880	
069-1		LC941101-4	FLAT WASHER 5	1	O	Y07880		
070		252103-8	HEX. LOCK NUT M5-8	1				
071		453240-3	FRONT WHEEL CAP	1			C8164	
072		252145-2	COLLARED HEX NUT M8	1			Y07880	
072-1		LC252145-2	COLLARED HEX. NUT M8	1	O	Y07880		
073		214067-4	PLANE BEARING 10	1			C8164	
074		453242-9	FRONT WHEEL	1			C8164	
074-1		459100-7	FRONT WHEEL	1	S	C8164		
075		210070-3	BALL BEARING 6200ZZ	1			Y07983	
075-1		LC210070-3	BALL BEARING 6200ZZ	1	O	Y07983		
076		165668-0	FRONT SHAFT	1				
077		266326-2	TAPPING SCREW 4X18	5				
078		456353-9	FRONT COVER	1				
079		210070-3	BALL BEARING 6200ZZ	1			Y07983	
079-1		LC210070-3	BALL BEARING 6200ZZ	1	O	Y07983		
080		453242-9	FRONT WHEEL	1			C8164	
080-1		459100-7	FRONT WHEEL	1	S	C8164		
081		214067-4	PLANE BEARING 10	1			C8164	
082		252145-2	COLLARED HEX NUT M8	1			Y07880	
082-1		LC252145-2	COLLARED HEX. NUT M8	1	O	Y07880		
083		453240-3	FRONT WHEEL CAP	1			C8164	
084		326636-0	SWITCH LEVER	1				
085		456351-3	SWITCH LEVER CASE	1				
086		456352-1	SWITCH LEVER CASE COVER	1				
087		266326-2	TAPPING SCREW 4X18	1				
088		266326-2	TAPPING SCREW 4X18	4				
089		143508-2	SWITCH BOX COVER COMPLETE K	1				
	C10	890374-5	INDICATION LABEL	1				
090		911138-5	P.H.SCREW M4X20 WITH WR	1				
091		455075-8	LEVER	1				

B:DLM431PM2(H)  
C:DLM431PT2(H)

Interchange  
O : Yes  
X : No  
< : the new part can be substituted for the current.  
> : the current part can be substituted for the new.  
S : Interchangeable as a set.

