



VN	VIETNAM
----	---------

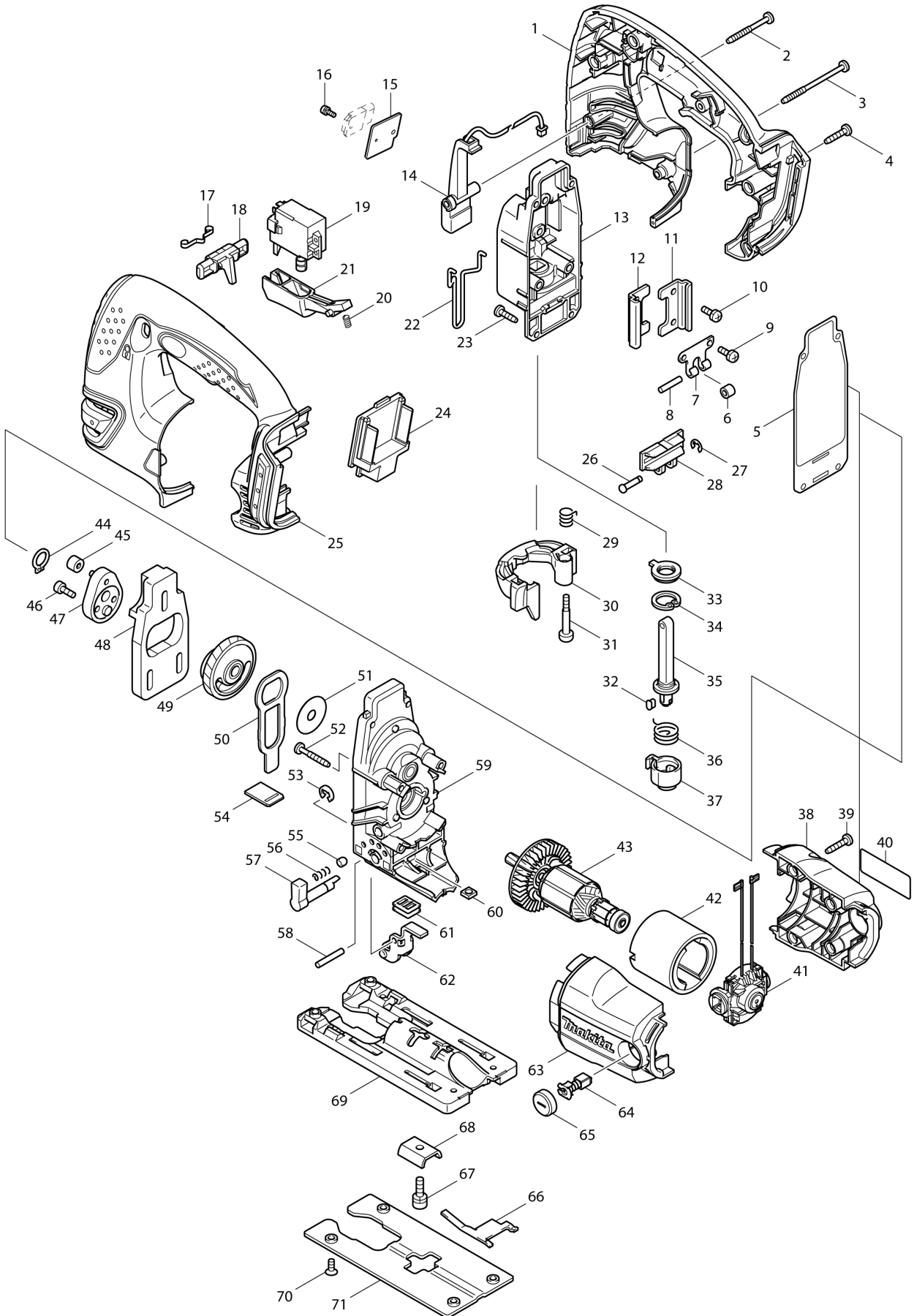
Diagram / Parts List

DJV180

CORDLESS JIG SAW



(VN) DJV180 / CORDLESS JIG SAW



VN	VIETNAM
-----------	----------------

DJV180 / CORDLESS JIG SAW

Item	Sub	Parts No.	Parts Description	Qty	I/C	E/C No.	Close No.	Remark
001		187725-4	HANDLE SET	1				
	D10		INC. 25					
002		266048-4	TAPPING SCREW 4X40	1			D8718	
002-1		266560-4	TAPPING SCREW 4X40	1	O	D8718		
003		266091-3	TAPPING SCREW 4X50	1			D8718	
003-1		265650-0	TAPPING SCREW 4X50	1	O	D8718		
004		265995-6	TAPPING SCREW 4X18	5			D8718	
004-1		265652-6	TAPPING SCREW 4X18	5	O	D8718		
005		442138-9	PACKING	1				
006		214031-5	PLANE BEARING 4	1				
007		232207-2	LEAF SPRING	1				
008		256117-9	PIN 4	1				
009		911111-5	PAN HEAD SCREW M4X10 WITH W	2				
010		911111-5	PAN HEAD SCREW M4X10 WITH W	2				
011		345240-6	LINEAR GUIDE	1				
012		345240-6	LINEAR GUIDE	1				
013		153338-3	GEAR HOUSING COVER COMPLETE	1				
	C10	253313-0	THIN WASHER 14	1				
	C20	257250-0	RING 20	1				
	C30	421815-6	DUST SEAL 8	1				
014		631744-7	LIGHT CIRCUIT	1				
015		689070-8	HEAT SINK	1				
016		911006-2	PAN HEAD SCREW M3X8	1				
017		232152-1	LEAF SPRING	1				
018		419613-0	LOCK OFF BUTTON	1				
019		650650-7	SWITCH C3LA-2A-PLSRS	1				
020		233118-4	COMPRESSION SPRING 4	1				
021		419754-2	SWITCH LEVER	1				
022		324233-6	SAFETY WIRE	1				
023		266034-5	TAPPING SCREW CT 4X16	4				
024		644808-8	TERMINAL	1				
025		187725-4	HANDLE SET	1				
	D10		INC. 1					
026		268090-1	PIN 4	1				
027		961017-7	STOP RING E-3	1				
028		310134-4	SLIDER	1				
029		231659-4	TORSION SPRING 6	1				
030		419820-5	TOOL OPENER	1				
031		265026-1	+ PAN HEAD SCREW M4	1				
032		310135-2	PUSH PIN	1				
033		421817-2	DUST COVER	1				
034		962068-3	RETAINING RING R-18	1				
035		165326-8	ROD	1				
036		231660-9	TORSION SPRING 15	1				
037		310136-0	BLADE HOLDER	1				
038		188208-7	MOTOR HOUSING SET	1				
	D10		INC. 63					
039		265995-6	TAPPING SCREW 4X18	4			D8718	
039-1		265652-6	TAPPING SCREW 4X18	4	O	D8718		
040		815K50-6	DJV180 NAME PLATE	1				
041		638504-8	ENDBELL COMPLETE	1				
042		638373-7	YOKE UNIT	1				
043		619206-5	ARMATURE	1				
044		961004-6	RETAINING RING S-8	1				
045		212092-9	NEEDLE BEARING 407	1				
046		265353-6	HEX. SOCKET HEAD BOLT M4X12	2				
047		153336-7	CRANK COMPLETE	1				
048		313108-4	BALANCE PLATE	1				
049		158168-7	GEAR COMPLETE	1				
050		345235-9	PUSH PLATE	1				
051		253877-4	FLAT WASHER 8	1				
052		266050-7	TAPPING SCREW 4X30	4			D8718	
052-1		265654-2	TAPPING SCREW 4X30	4	O	D8718		
053		961018-5	STOP RING E-5	1				
054		417839-8	SEAL PLATE	1				

B:DJV180RFE(H)
C:DJV180Z(N)

Interchange
O : Yes
X : No
< : the new part can be substituted for the current.
> : the current part can be substituted for the new.
S : Interchangeable as a set.

