



VN	VIETNAM
----	---------

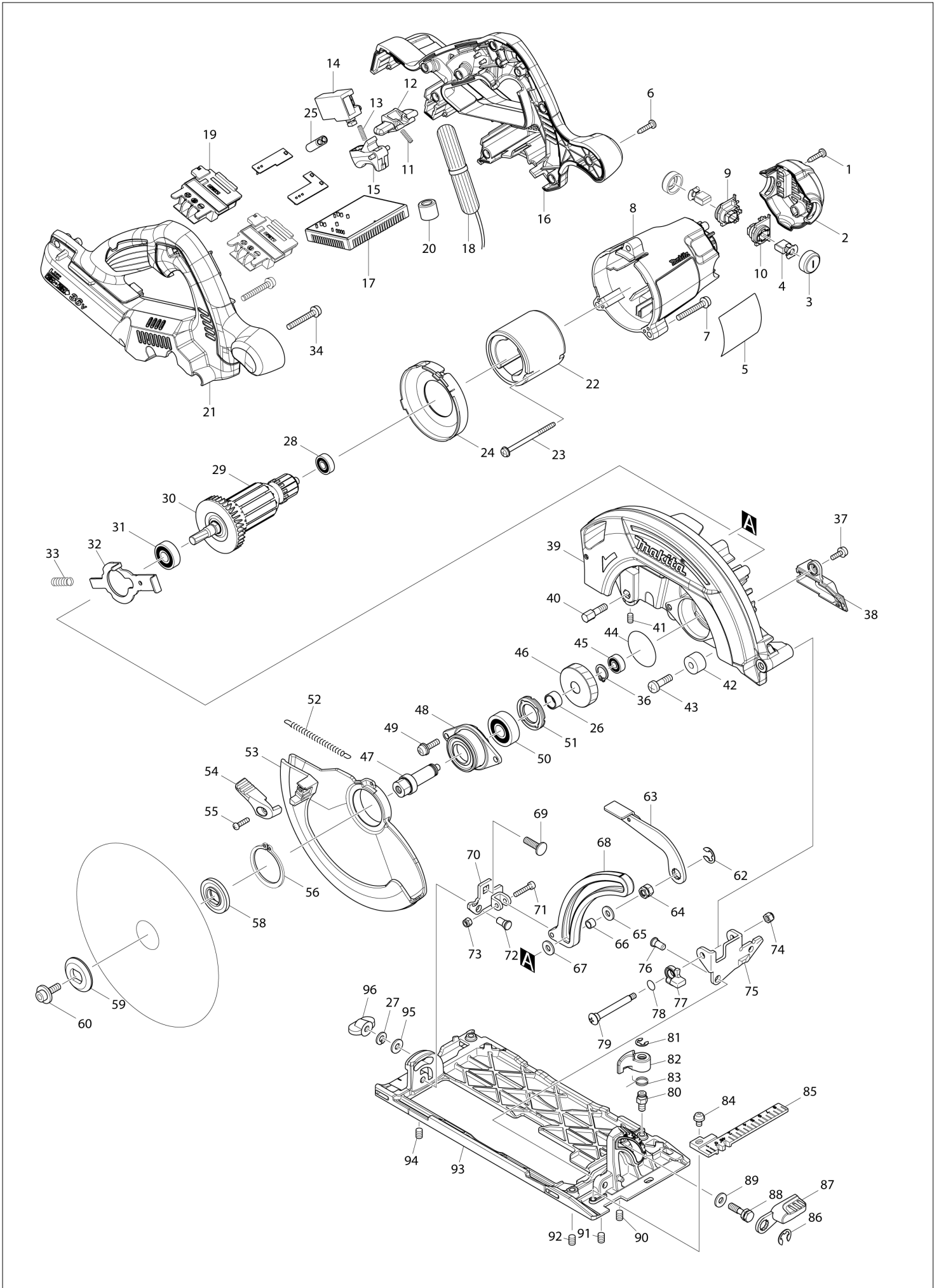
Diagram / Parts List

DHS710

190MM CORDLESS CIRCULAR SAW



(VN) DHS710 / 190MM CORDLESS CIRCULAR SAW



VN	VIETNAM
-----------	----------------

DHS710 / 190MM CORDLESS CIRCULAR SAW

Item	Sub	Parts No.	Parts Description	Qty	I/C	E/C No.	Close No.	Remark
001		266326-2	TAPPING SCREW 4X18	2				
002		454697-1	REAR COVER	1				
003		643829-7	HOLDER CAP	2				
004		195023-2	CARBON BRUSH SET CB-442	1				
005		814Y56-5	DHS710 NAME PLATE	1				
006		266326-2	TAPPING SCREW 4X18	9				
007		911258-5	PAN HEAD SCREW M5X35	3				
008		454693-9	MOTOR HOUSING	1				
009		644505-6	BRUSH HOLDER	1				
010		644506-4	BRUSH HOLDER	1				
011		231469-9	COMPRESSION SPRING 4	1				
012		419664-3	LOCK OFF LEVER	1				
013		231469-9	COMPRESSION SPRING 4	1				
014		650730-9	SWITCH TG72BD-6	1				
015		419665-1	SWITCH LEVER	1				
016		187768-6	HANDLE SET	1				
	C10	263005-3	RUBBER PIN 6	4				
	C20	802G93-3	INDICATION LABEL	1				
	D10		INC. 21					
017-1		620305-8	CONTROLLER	1			C1298	
017-2		620827-8	CONTROLLER	1	<	C1298		
018		632B66-0	LEAD UNIT	1				
019		643899-6	TERMINAL	2				
021		187768-6	HANDLE SET	1				
	C10	263005-3	RUBBER PIN 6	4				
	C20	802G93-3	INDICATION LABEL	1				
	D10		INC. 16					
022		638571-3	YOKE UNIT	1			B3288	
022-1		632H52-7	YOKE UNIT	1	O	B3288	D4076	
022-2		638571-3	YOKE UNIT	1	O	D4076		
023		266292-3	TAPPING SCREW 4X65	2				
024		454696-3	BAFFLE PLATE	1				
026		257349-1	SLEEVE 12	1				
027		942151-2	SPRING WASHER 6	1			C3118	
027-1		253428-3	SPRING WASHER 6	1	O	C3118	D1189	
028		210017-7	BALL BEARING 607DDW	1				
029		519332-9	ARMATURE ASS'Y 36V	1				
	D10		INC. 28,30,31					
030		240045-8	FAN 55	1				
031		210059-1	BALL BEARING 6000DDW	1				
032		344681-3	SHAFT LOCK	1				
033		233117-6	COMPRESSION SPRING 6	1				
034		911258-5	PAN HEAD SCREW M5X35	2				
036		961052-5	RETAINING RING S-12	1				
037		911223-4	PAN HEAD SCREW M5X16	1				
038		453285-1	DUCT	1				
039		142365-5	BLADE CASE COMPLETE	1				
	C10	213434-0	O RING 26	1				
040		265594-4	HEX.BOLT M6X18	1				
041		266229-0	H.S.SET SCREW(CUP POINT)M5X8	1				
042		262552-1	RUBBER SLEEVE 6	1			D4472	
042-1		262502-6	RUBBER SLEEVE 6	1	O	D4472		
043		251247-1	+ PAN HEAD SCREW M6X20	1				
044		213512-6	O RING 39	1				
045		210028-2	BALL BEARING 606ZZ	1				
046		227786-3	HELICAL GEAR 49	1				
047		326357-4	SPINDLE	1				
048		319088-2	BEARING BOX	1				
049		911233-1	PAN HEAD SCREW M5X20	2				
050		211129-9	BALL BEARING 6201DDW	1				
051		285852-2	BEARING RETAINER 19-33	1				
052		231877-4	TENSION SPRING 4	1				
053		319072-7	SAFETY COVER	1				
054		272258-3	LEVER 37	1				
055		265178-8	PAN HEAD SCREW M4X16	1				

B:DHS710RM2J(H)

Interchange
O : Yes
X : No
< : the new part can be substituted for the current.
> : the current part can be substituted for the new.
S : Interchangeable as a set.

VN	VIETNAM
-----------	----------------

DHS710 / 190MM CORDLESS CIRCULAR SAW

Item	Sub	Parts No.	Parts Description	Qty	I/C	E/C No.	Close No.	Remark
056		961155-5	RETAINING RING S-38	1				
058-1		224473-5	INNER FLANGE 35	1			B7950	
058-2		224593-5	INNER FLANGE 35	1	<	B7950		
059		224409-4	OUTER FLANGE 35	1				
060-1		266925-0	HEX.SOCKET HEX.BOLT M6X18	1				
062		257982-9	BOW STOP RING E-8	1				
063		272279-5	LEVER PLATE	1				
064		264096-7	HEX. NUT M6	1				
065		267100-1	FLAT WASHER 6	1				
066		257669-3	SLEEVE 6	1				
067		267100-1	FLAT WASHER 6	1				
068		141312-3	DEPTH GUIDE COMPLETE	1				
069		251919-8	CAP SQUARE NECK BOLT M6X20	1				
070		165670-3	REAR ANGULAR GUIDE	1				
071		922137-2	HEX. SOCKET HEAD BOLT M4X20	1				
072		256480-0	SHOULDER PIN 6-7	1				
073		252126-6	HEX. LOCK NUT M4-7	1				
074		252103-8	HEX. LOCK NUT M5-8	1				
075		345590-9	ANGULAR GUIDE	1				
076		256480-0	SHOULDER PIN 6-7	1				
077		318823-5	STOPPER	1				
078-1		213977-2	O RING 7	1				
079		266734-7	+ TRUSS HEAD SCREW M5	1				
080		265571-6	HEX. BOLT M6X10	2				
081		961012-7	STOP RING E-6	2				
082		453165-1	LOCK LEVER	2				
083		233596-8	TORSION SPRING 11	2				
084		911203-0	PAN HEAD SCREW M5X8	1				
085		453286-9	TOP GUIDE	1				
086		257982-9	BOW STOP RING E-8	1				
087		272272-9	LEVER 45	1				
088		266735-5	HEX.BOLT M6X20	1			D5231	
088-1		265B21-3	HEX.BOLT M6X20	1	S	D5231		
089		941151-9	FLAT WASHER 6	1			D5231	
090		266208-8	H.S.SET SCREW(CUP POINT)M6X8	1				
091		266208-8	H.S.SET SCREW(CUP POINT)M6X8	1				
092		266208-8	H.S.SET SCREW(CUP POINT)M6X8	1				
093		318819-6	BASE	1				
094		266208-8	H.S.SET SCREW(CUP POINT)M6X8	1				
095		941151-9	FLAT WASHER 6	1				
096		252631-3	THUMB NUT M6	1				
A01		164095-8	GUIDE RULE	1				
A02		783217-7	HEX. WRENCH 5	1				
A03		D-09123	TCT SAW BLADE 185X20X40T	1			DB843	
A03-1		D-03361	TCT SAW BLADE 185X20X40T	1	O	DB843		
A05-1B		143074-9	CONNECTOR PLASTIC CASE (TYPE4)	1				
	C10	453974-8	LATCH	4				
A06B		837861-3	INNER TRAY	1				
A07B		802J03-8	DHS710RM2J INDICATION LABEL	1				
A08B		802J04-6	DHS710RM2J PLASTIC CASE LABEL	2				
A09B		***DC18RC	DC18RC FAST CHARGER	1				
A10-1B		196399-0	BATTERY BL1840 SET	2			A9784	
A10-2B		197265-4	BATTERY BL1840B SET	2	<	A9784	C5218	
A10-3B		197265-4	BATTERY BL1840B SET	2	O	C5218		
B:DHS710RM2J(H)							Interchange O : Yes X : No < : the new part can be substituted for the current. > : the current part can be substituted for the new. S : Interchangeable as a set.	