



VN	VIETNAM
----	---------

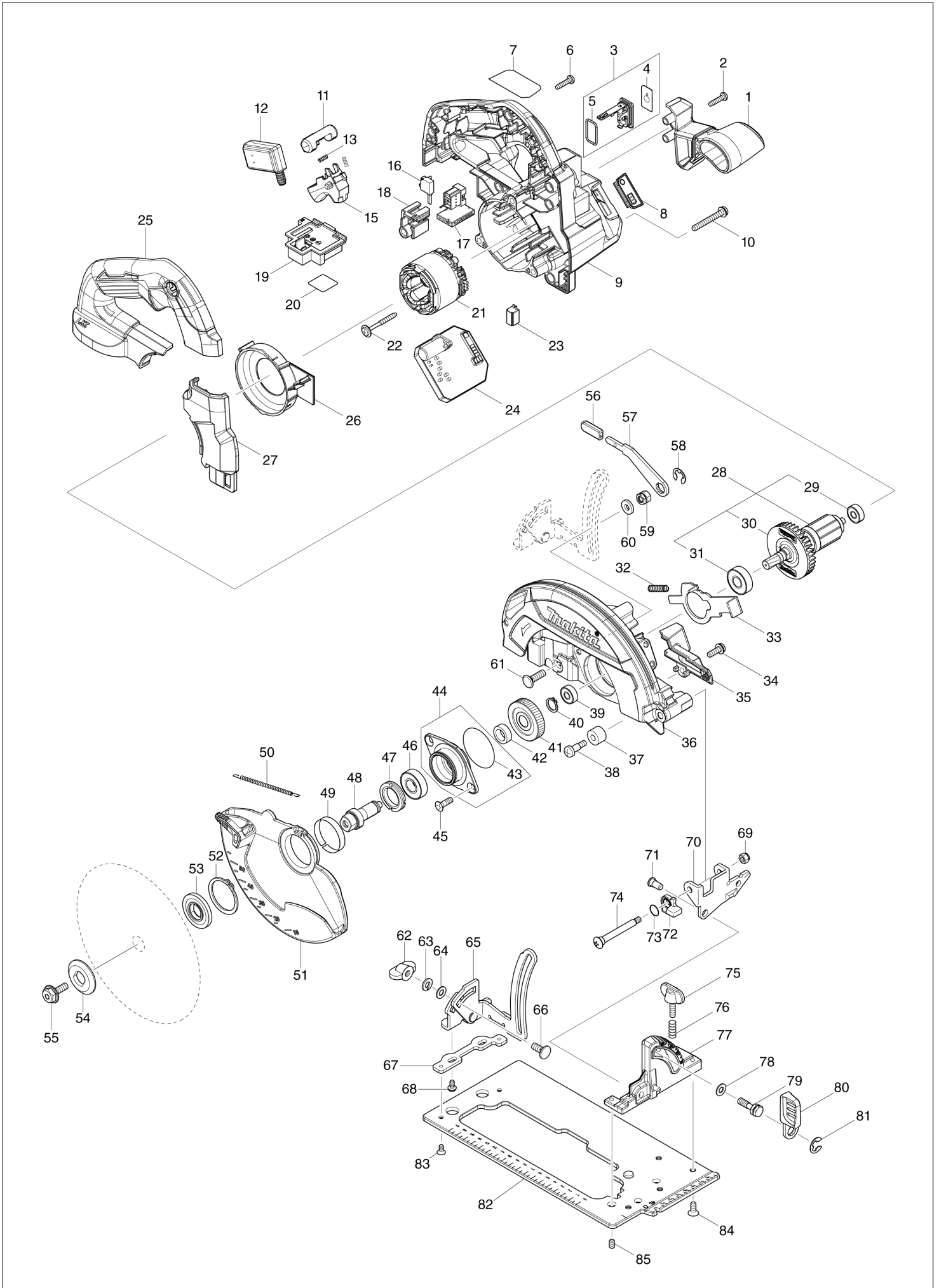
Diagram / Parts List

DHS661

165MM CORDLESS CIRCULAR SAW



(VN) DHS661 / 165MM CORDLESS CIRCULAR SAW



VN	VIETNAM
-----------	----------------

DHS661 / 165MM CORDLESS CIRCULAR SAW

Item	Sub	Parts No.	Parts Description	Qty	I/C	E/C No.	Close No.	Remark
001		458590-1	FRONT GRIP	1				
002		265995-6	TAPPING SCREW 4X18	1				
003		183J85-2	CAP SET	1			C3942	
	D10		INC. 4,5				C3942	
003-1		140G30-2	CAP COMPLETE	1	<	C3942		
	D10		INC. 4,5			C3942		
004		813T75-8	CAP LABEL	1			C3942	
004-1		818H48-4	CAP LABEL	1	<	C3942		
005		213218-6	O RING 16	1			DA223	
005-1		213A05-9	O-RING16	1	O	DA223		
006		265995-6	TAPPING SCREW 4X18	7				
007		854N98-1	DHS661 NAME PLATE	1				
008		144251-6	INDICATION PLATE COMPLETE	1				
009		140C49-7	MOTOR HOUSING COMPLETE	1				
	C10	263005-3	RUBBER PIN 6	2				
010		911263-2	PAN HEAD SCREW M5X40	3				
011		419704-7	LOCK OFF BUTTON	1				
012		651083-9	SWITCH C3XA-1SPSM	1				
013		231433-0	COMPRESSION SPRING 4	2				
015		458594-3	SWITCH LEVER	1				
016		632L80-6	SWITCH UNIT	1				
017		620754-9	SUB CONTROLLER	1				
018		458588-8	HOLDER	1				
019		644809-6	TERMINAL	1				
020		854P03-0	DHS661 SERIAL NO. LABEL	1				
021		629362-3	STATOR	1				
022		251517-8	TAPPING SCREW 4X40	2				
023		620936-3	LED CIRCUIT	1				
024		620937-1	CONTROLLER	1			C5919	
024-1		620A73-9	CONTROLLER	1	<	C5919		
025		458584-6	HANDLE COVER	1				
026		458586-2	BAFFLE PLATE	1				
027		458592-7	COVER	1				
028		519527-4	ROTOR ASS'Y	1				
	D10		INC. 29-31					
029		211012-0	BALL BEARING 606ZZ	1				
030		240045-8	FAN 55	1				
031		210059-1	BALL BEARING 6000DDW	1				
032		233117-6	COMPRESSION SPRING 6	1			C4233	
032-1		233342-9	COMPRESSION SPRING 6	1	<	C4233		
033		347400-6	SHAFT LOCK	1				
034		911223-4	PAN HEAD SCREW M5X16	1				
035		458589-6	DUCT	1				
036		140D07-9	BLADE CASE COMPLETE	1				
	C10	213821-3	O-RING 26	1				
037		262511-5	RUBBER SLEEVE 6	1				
038		265115-2	+ PAN HEAD SCREW M5	1				
039		211012-0	BALL BEARING 606ZZ	1				
040		961052-5	RETAINING RING S-12	1				
041		226192-9	HELICAL GEAR 49	1				
042		257173-2	RING 12	1				
043		213512-6	O RING 39	1				
044		135993-3	BEARING BOX ASSEMBLY	1				
	D10		INC. 43					
045		265034-2	+ COUNTERSUNK HEAD SCREW M5X1	2				
046		211131-2	BALL BEARING 6001DDW	1				
047		285843-3	BEARING RETAINER 19-29	1				
048		327143-6	SPINDLE	1			C4635	
048-1		327244-0	SPINDLE	1	<	C4635		
049		345469-4	THICKNESS RING	1				
050		231832-6	TENSION SPRING 3	1				
051		458680-0	SAFETY COVER	1				
052		961152-1	RETAINING RING (EXT) S-34	1				
053		224593-5	INNER FLANGE 35	1				
054		224409-4	OUTER FLANGE 35	1				

B:DHS661RFJ(H)

Interchange
 O : Yes
 X : No
 < : the new part can be substituted for the current.
 > : the current part can be substituted for the new.
 S : Interchangeable as a set.

