



VN	VIETNAM
----	---------

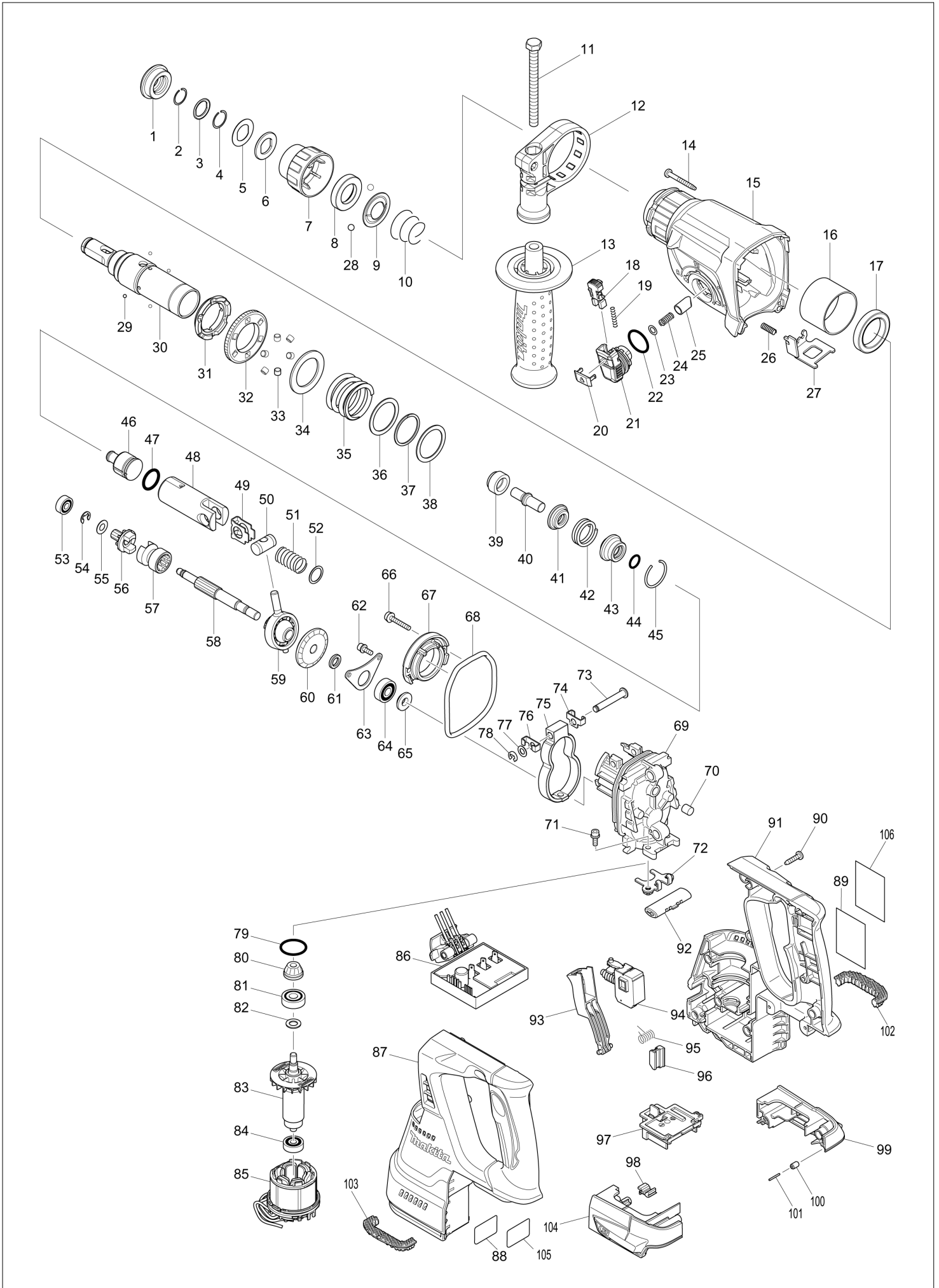
Diagram / Parts List

DHR242

24MM CORDLESS COMBI. HAMMER



(VN) DHR242 / 24MM CORDLESS COMBI. HAMMER



VN	VIETNAM
-----------	----------------

DHR242 / 24MM CORDLESS COMBI. HAMMER

Item	Sub	Parts No.	Parts Description	Qty	I/C	E/C No.	Close No.	Remark
001		286288-8	CAP 35	1				
002		233989-9	RING SPRING 14	1				
003		346221-3	WASHER 16	1				
004		233992-0	RING SPRING 15	1				
005		267437-6	FLAT WASHER 17	1				
006		424364-2	RUBBER WASHER 16	1				
007		451533-2	CHUCK COVER	1				
008		325813-1	RING 21	1				
009		346177-0	GUIDE WASHER	1				
010		233916-6	CONICAL COMP. SPRING 21-29	1				
011		266745-2	HEX.BOLT M8X90	1				
012		453129-5	GRIP BASE	1				
013		158057-6	GRIP 36 COMPLETE	1				
014		266351-3	TAPPING SCREW 4X35	4				
015		141229-0	GEAR HOUSING COMPLETE	1				
	C10	213345-9	OIL SEAL 25	1				
	C20	890903-4	INDICATION LABEL	1				
016		331890-3	CUP SLEEVE	1				
017		211294-4	BALL BEARING 6806LLU	1				
018		454112-5	LOCK BUTTON	1				
019		234264-6	COMPRESSION SPRING 3	1				
020		453131-8	CHANGE LEVER COVER	1				
021		453125-3	CHANGE LEVER	1				
022		213381-5	O RING 21	1				
023		253308-3	THIN WASHER 6	1				
024		234147-0	COMPRESSION SPRING 5	1				
025		325785-0	PUSH CORN	1			B4855	
025-1		326850-8	PUSH CORN	1	S	B4855		
026		233360-7	COMPRESSION SPRING 4	1				
027		346537-6	LOCK PLATE	1				
028		216022-2	STEEL BALL 7.0	2				
029		216019-1	STEEL BALL 3	4				
030		140265-3	TOOL HOLDER COMPLETE	1				
031		313149-0	DRIVING FLANGE	1			A6980	
031-1		332139-4	DRIVING FLANGE	1	S	A6980		
032		227232-6	SPUR GEAR 51	1			A6980	
032-1		227360-7	SPUR GEAR 51	1	S	A6980		
033		268226-2	PIN 6	6			A6980	
034		267414-8	FLAT WASHER 30	1			A6980	
035		234148-8	COMPRESSION SPRING 31	1				
036		267153-0	FLAT WASHER 30	1				
037		257932-4	SPIRO LOCK WASHER 30	1				
038		267153-0	FLAT WASHER 30	1				
039		325783-4	SLEEVE 9B	1				
040		325789-2	IMPACT BOLT A	1				
041		325792-3	WASHER 10	1				
042		234149-6	COMPRESSION SPRING 20	1				
043		325793-1	O-RING CASE B	1				
044		213073-6	O RING 9	1				
045		233979-2	RING SPRING 28	1				
046		326139-4	STRIKER	1				
047		213258-4	O RING 17.5	1				
048		310345-1	PISTON CYLINDER	1				
049		346036-8	GUIDE PLATE	1				
050		324215-8	PISTON JOINT	1				
051		234098-7	COMPRESSION SPRING 14	1				
052		267447-3	FLAT WASHER 14	1				
053		211012-0	BALL BEARING 606ZZ	1				
054		257336-0	STOP RING EXT U-6	1				
055		253186-1	FLAT WASHER 7	1				
056		227231-8	SPUR GEAR 10	1				
057		331814-9	CLUTCH CAM A	1			B4855	
057-1		326849-3	CLUTCH CAM A	1	S	B4855		
058		326140-9	CAM SHAFT	1				
059		219020-5	SWASH BEARING 10	1				

C:DHR242RFE(H)
E:DHR242RME(H)

Interchange
O : Yes
X : No
< : the new part can be substituted for the current.
> : the current part can be substituted for the new.
S : Interchangeable as a set.

VN	VIETNAM
-----------	----------------

DHR242 / 24MM CORDLESS COMBI. HAMMER

Item	Sub	Parts No.	Parts Description	Qty	I/C	E/C No.	Close No.	Remark
060		227588-7	SPIRAL BEVEL GEAR 32	1				
061		257323-9	RING 8	1				
062		922118-6	HEX. SOCKET HEAD BOLT M4X12	2				
063		346038-4	BEARING RETAINER B	1				
064		211032-4	BALL BEARING 608ZZ	1				
065		324212-4	RING 8	1				
066		922147-9	HEX. SOCKET HEAD BOLT M4X25	2				
067		141230-5	INNER SUPPORT COMPLETE	1				
068		213767-3	O-RING 75	1				
069		318810-4	INNER HOUSING	1				
070		443153-6	FELT	1				
071		922118-6	HEX. SOCKET HEAD BOLT M4X12	2				
072		346536-8	BEARING RETAINER A	1				
073		256536-9	FLAT FILLISTER HD PIN 6	1				
074		346538-4	WEIGHT HOLDER GUIDE	1				
075		313224-2	COUNTER WEIGHT	1				
076		346538-4	WEIGHT HOLDER GUIDE	1				
077		253726-5	FLAT WASHER 6	1				
078		961018-5	STOP RING E-5	1				
079		213008-7	O RING 22.4	1				
080		141458-5	SPIRAL BEVEL GEAR 11 COMPLETE	1				
081		210024-0	BALL BEARING 608LLU	1				
082		253835-0	FLAT WASHER 8	1				
083		619293-4	ROTOR	1				
084		210022-4	BALL BEARING 626DDW	1				
085		629922-1	STATOR	1			Y07053	
085-1		529922-0	STATOR ASS'Y	1	<	Y07053	A9880	
085-2		529187-4	STATOR ASS'Y	1	S	A9880		
086		620241-8	CONTROLLER	1				
087		187687-6	HOUSING SET	1			A6091	
	D10		INC. 91				A6091	
087-1		183A34-5	HOUSING SET	1	<	A6091	A9880	
	D10		INC. 91			A6091	A9880	
087-2		183C02-0	HOUSING SET	1	S	A9880	D2436	
	D10		INC. 91			A9880	D2436	
087-3		183C02-0	HOUSING SET	1	O	D2436		
	D10		INC. 91			D2436		
088		815B57-8	DHR242 SERIAL NO. LABEL	1				
089		815A38-6	DHR242 NAME PLATE	1				
090		266326-2	TAPPING SCREW 4X18	10			D2436	
090-1		266326-2	TAPPING SCREW 4X18	10	O	D2436		
091		187687-6	HOUSING SET	1			A6091	
	D10		INC. 87				A6091	
091-1		183A34-5	HOUSING SET	1	<	A6091	A9880	
	D10		INC. 87			A6091	A9880	
091-2		183C02-0	HOUSING SET	1	S	A9880	D2436	
	D10		INC. 87			A9880	D2436	
091-3		183C02-0	HOUSING SET	1	O	D2436		
	D10		INC. 87			D2436		
092		453124-5	F/R CHANGE LEVER	1				
093		453123-7	SWITCH LEVER	1				
094		650709-0	SWITCH C3JW-1A-P	1				
095		233598-4	TORSION SPRING 6	1				
096		313226-8	OPENER	1				
097		644808-8	TERMINAL	1				
098		424476-1	CUSHION	1				
099		187377-1	BATTERY HOUSING SET	1				
	C10	263005-3	RUBBER PIN 6	2				
	D10		INC. 104					
100		263036-2	RUBBER PIN 5	1				
101		268184-2	PIN 1.5	1				
102		424473-7	CUSHION RUBBER	1				
103		424473-7	CUSHION RUBBER	1				
104		187377-1	BATTERY HOUSING SET	1				
	C10	263005-3	RUBBER PIN 6	2				

C:DHR242RFE(H)
E:DHR242RME(H)

Interchange
O : Yes
X : No
< : the new part can be substituted for the current.
> : the current part can be substituted for the new.
S : Interchangeable as a set.

