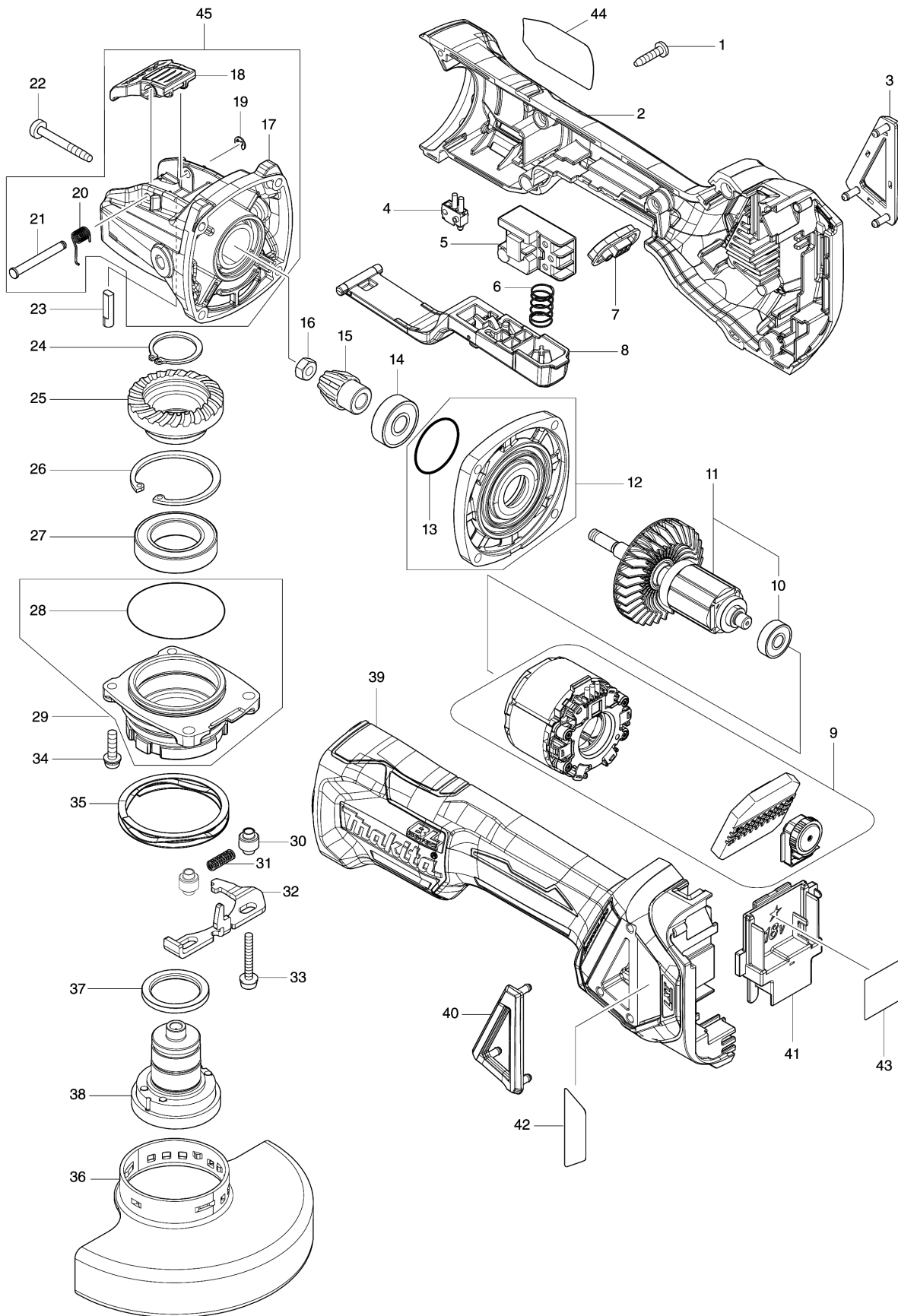


### Model No.DGA519 125MM CORDLESS ANGLE GRINDER





## Model No.DGA519 125MM CORDLESS ANGLE GRINDER

Item	Parts No.	Description	I/C	Qty	New/Old	Sales	Purch.	Note
001	266326-2	TAPPING SCREW 4X18		5				
002	183H86-8	MOTOR HOUSING SET		1				
C10	263005-3	RUBBER PIN 6		2				
D10		INC. 39						
003	455450-8	DUST COVER R		1				
004	632E12-1	SWITCH UNIT		1				
005	650734-1	SWITCH TG73BDS-2		1				
006	234357-9	COMPRESSION SPRING 11		1				
007	142901-7	INDICATOR PANEL COMPLETE		1				
008	142976-6	SWITCH LEVER COMPLETE		1				
009	629304-7	STATOR COMPLETE		1				
010	210169-4	BALL BEARING 607LLB		1				
011	510440-9	ROTOR ASS'Y		1				
D10		INC. 10						
012	135930-7	GEAR HOUSING COVER ASSEMBLY		1				
D10		INC. 13						
013	213445-5	O-RING 26		1				
014	210042-8	BALL BEARING 629LLB		1				
015	226950-3	SPIRAL BEVEL GEAR 10		1				
016	252186-8	HEX. NUT M6		1				
017	140N76-0	GEAR HOUSING COMPLETE		1				
018	459967-3	LEVER		1				
019	961017-7	STOP RING E-3		1				
020	232576-1	TORSION SPRING 5		1				
021	256935-5	HEADED PIN 4		1				
022	266361-0	TAPPING SCREW 4X30		4				
023	327460-4	SHAFT		1				
024	961104-2	RETAINING RING S-24		1				
025	226951-1	SPIRAL BEVEL GEAR 37		1				
026	962201-7	RETAINING RING (INT) R-42		1				
027	210208-0	BALL BEARING 6905DDW		1				
028	213622-9	O RING 45		1				
029	136199-6	BEARING BOX ASS'Y		1				
D10		INC. 28						
030	327322-6	SLEEVE 4		2				
031	232490-1	COMPRESSION SPRING 4		1				
032	347615-5	LEVER		1				
033	911159-7	PAN HEAD SCREW M4X30		2				
034	911138-5	P.H.SCREW M4X20 WITH WR		2				
035	232577-9	SCROW WAVE SPRING 49		1				
036	347618-9	WHEEL COVER 125		1				
037	327459-9	RING 25		1				

Please order the parts with part number.

Print Date 22/9/2021

## Model No.DGA519 125MM CORDLESS ANGLE GRINDER

Item	Parts No.	Description	I/C	Qty	New/Old	Sales	Purch.	Note
038	127428-8	SPINDLE ASSEMBLY		1				
039	183H86-8	MOTOR HOUSING SET		1				
C10	263005-3	RUBBER PIN 6		2				
D10		INC. 2						
040	455449-3	DUST COVER L		1				
041	643874-2	TERMINAL		1				
042	816D93-9	INDICATION LABEL		1				
043	856R76-1	DGA519 SERIAL NO. LABEL		1				
044	856R71-1	DGA519 NAME PLATE		1				
045	136209-9	GEAR HOUSING ASS'Y		1				
D10		INC. 17-21						
A01	158237-4	GRIP 36 COMPLETE		1				
A02	E-00402	GRINDING WHEEL INOX 125 X-LOCK		1				
A03B	450128-8	BATTERY COVER		2				
A04B	***DC18RC	DC18RC FAST CHARGER		1				
D10		COMPO-PARTS						
A05B	197280-8	BATTERY BL1850B SET		2				
A06B	821551-8	CONNECTOR PLASTIC CASE (TYPE3)		1				
C10	453974-8	LATCH		4				
A07B	8009B9-8	DGA519RTJ INDICATION LABEL		1				
A08B	8009C0-3	DGA519RTJ PLASTIC CASE LABEL		2				
A09B	839252-4	INNER TRAY		1				

Please order the parts with part number.

Print Date 22/9/2021