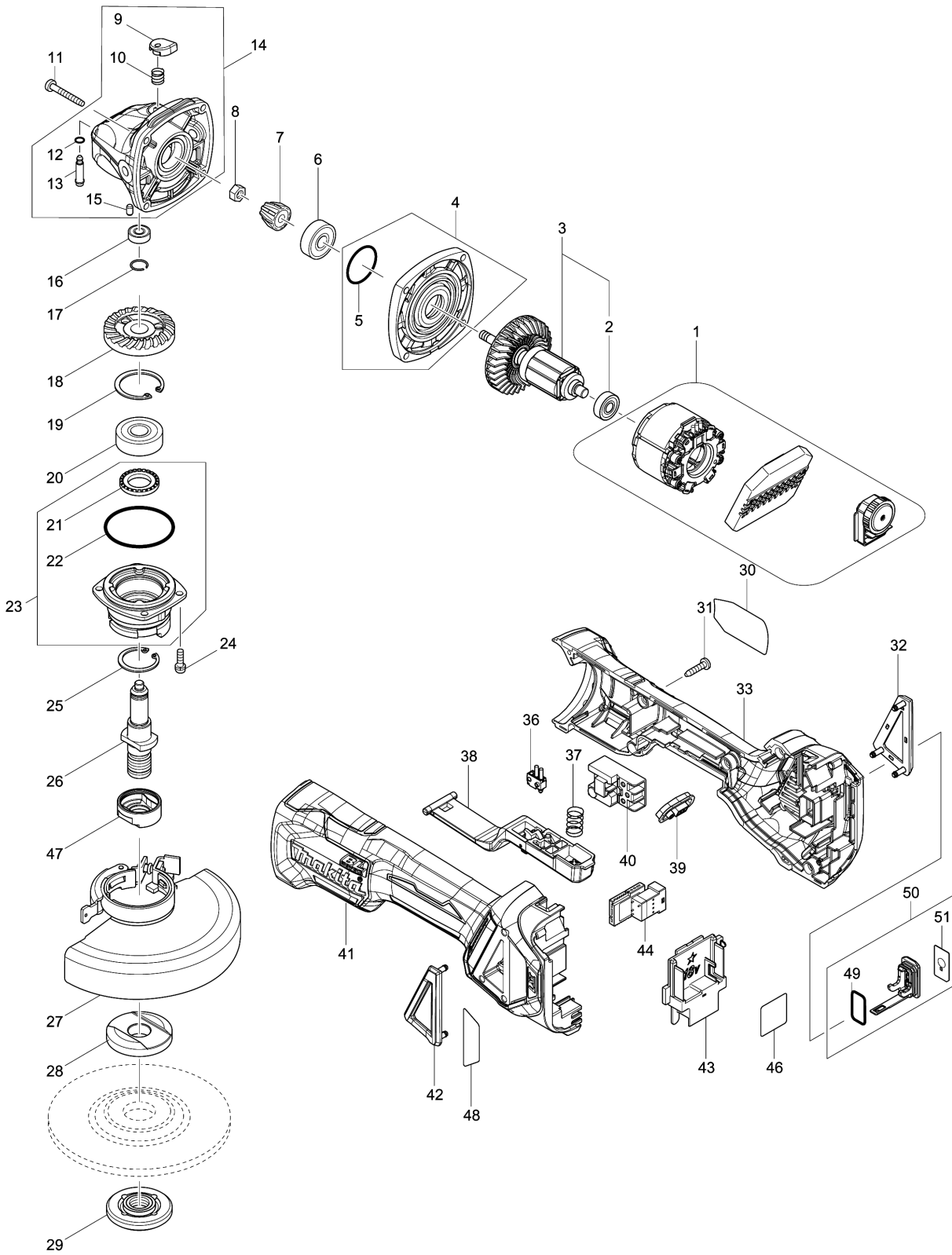


Model No.DGA518 125MM CORDLESS ANGLE GRINDER



Model No.DGA518 125MM CORDLESS ANGLE GRINDER

| Item | Parts No. | Description | I/C | Qty | New/Old | Sales | Purch. | Note |
|--------|-----------|--------------------------------|-----|-----|---------|-------|--------|------|
| 001 | 629305-5 | STATOR COMPLETE | | 1 | | | | |
| 002 | 210169-4 | BALL BEARING 607LLB | | 1 | | | | |
| 003 | 510329-1 | ROTOR ASS'Y | | 1 | * | | | |
| D10 | | INC. 2 | | | * | | | |
| 003-1 | 510329-1 | ROTOR ASS'Y | O | 1 | | | | |
| D10 | | INC. 2 | | | | | | |
| 004 | 135930-7 | GEAR HOUSING COVER ASSEMBLY | | 1 | | | | |
| D10 | | INC. 5 | | | | | | |
| 005 | 213445-5 | O-RING 26 | | 1 | | | | |
| 006 | 210042-8 | BALL BEARING 629LLB | | 1 | | | | |
| 007A | 227541-3 | SPIRAL BEVEL GEAR 10 | | 1 | * | | | |
| 007B | 227541-3 | SPIRAL BEVEL GEAR 10 | | 1 | * | | | |
| 007-1A | 226861-2 | SPIRAL BEVEL GEAR 10 | S | 1 | | | | |
| 007-1B | 226861-2 | SPIRAL BEVEL GEAR 10 | S | 1 | | | | |
| 007-1C | 226861-2 | SPIRAL BEVEL GEAR 10 | | 1 | | | | |
| 008 | 252186-8 | HEX. NUT M6 | | 1 | | | | |
| 009 | 417771-6 | PIN CAP | | 1 | | | | |
| 010 | 233072-2 | COMPRESSION SPRING 8 | | 1 | | | | |
| 011 | 266361-0 | TAPPING SCREW 4X30 | | 4 | | | | |
| 012 | 213960-9 | O RING 5 | | 1 | | | | |
| 013 | 256546-6 | SHOULDER PIN 4 | | 1 | | | | |
| 014 | 135929-2 | GEAR HOUSING ASSEMBLY | | 1 | | | | |
| D10 | | INC. 9,10,12,13,15 | | | | | | |
| 015 | 263002-9 | RUBBER PIN 4 | | 1 | | | | |
| 016 | 210033-9 | BALL BEARING 696ZZ | | 1 | | | | |
| 017 | 233950-6 | RING SPRING 11 | | 1 | | | | |
| 018A | 227641-9 | SPIRAL BEVEL GEAR 37 | | 1 | * | | | |
| 018B | 227641-9 | SPIRAL BEVEL GEAR 37 | | 1 | * | | | |
| 018-1A | 226862-0 | SPIRAL BEVEL GEAR 37 | S | 1 | | | | |
| 018-1B | 226862-0 | SPIRAL BEVEL GEAR 37 | S | 1 | | | | |
| 018-1C | 226862-0 | SPIRAL BEVEL GEAR 37 | | 1 | | | | |
| 019 | 962151-6 | RETAINING RING R-32 | | 1 | | | | |
| 020 | 211129-9 | BALL BEARING 6201DDW | | 1 | | | | |
| 021 | 262153-5 | FELT RING 16 | | 1 | | | | |
| 022 | 213622-9 | O RING 45 | | 1 | | | | |
| 023 | 135949-6 | BEARING BOX ASSEMBLY | | 1 | | | | |
| D10 | | INC. 21,22 | | | | | | |
| 024 | 911121-2 | PAN HEAD SCREW M4X14 | | 4 | | | | |
| 025 | 962105-3 | RETAINING RING R-26 | | 1 | | | | |
| 026 | 326672-6 | SPINDLE | | 1 | | | | |
| 027 | 123145-8 | TOOLLESS WHEELCOVER 125AK ASSY | | 1 | | | | |

Please order the parts with part number.

Print Date 22/9/2021

Model No.DGA518 125MM CORDLESS ANGLE GRINDER

| Item | Parts No. | Description | I/C | Qty | New/Old | Sales | Purch. | Note |
|--------|-----------|--------------------------|-----|-----|---------|-------|--------|------|
| C10 | 213009-5 | O RING 4 | | 1 | | | | |
| C20 | 265180-1 | PAN HEAD SCREW M5X16 | | 1 | | | | |
| 028 | 224447-6 | INNER FLANGE 42B | | 1 | | | | |
| 029 | 224554-5 | LOCK NUT 14-45 | | 1 | | | | |
| 030 | 854A02-2 | DGA518 NAME PLATTE | | 1 | | | | |
| 031 | 266326-2 | TAPPING SCREW 4X18 | | 5 | | | | |
| 032 | 455450-8 | DUST COVER R | | 1 | | | | |
| 033 | 183H85-0 | MOTOR HOUSING SET | | 1 | | | | |
| C10 | 263005-3 | RUBBER PIN 6 | | 2 | | | | |
| D10 | | INC. 41 | | | | | | |
| 036 | 632E12-1 | SWITCH UNIT | | 1 | | | | |
| 037 | 234357-9 | COMPRESSION SPRING 11 | | 1 | | | | |
| 038 | 142976-6 | SWITCH LEVER COMPLETE | | 1 | | | | |
| 039 | 142901-7 | INDICATOR PANEL COMPLETE | | 1 | | | | |
| 040 | 650734-1 | SWITCH TG73BDS-2 | | 1 | | | | |
| 041 | 183H85-0 | MOTOR HOUSING SET | | 1 | | | | |
| C10 | 263005-3 | RUBBER PIN 6 | | 2 | | | | |
| D10 | | INC. 33 | | | | | | |
| 042 | 455449-3 | DUST COVER L | | 1 | | | | |
| 043 | 643874-2 | TERMINAL | | 1 | | | | |
| 044 | 620752-3 | SUB CONTROLLER | | 1 | | | | |
| 046 | 854A09-8 | DGA518 SERIAL NO. LABEL | | 1 | | | | |
| 047 | 310514-4 | LEAD FLANGE | | 1 | | | | |
| 048 | 816D93-9 | INDICATION LABEL | | 1 | | | | |
| 049A | 213275-4 | O RING 18 | | 1 | * | | | |
| 049B | 213218-6 | O RING 16 | | 1 | * | | | |
| 049C | 213218-6 | O RING 16 | | 1 | * | | | |
| 049-1A | 213218-6 | O RING 16 | < | 1 | * | | | |
| 049-1B | 213A05-9 | O-RING16 | O | 1 | | | | |
| 049-1C | 213A05-9 | O-RING16 | O | 1 | | | | |
| 049-2A | 213A05-9 | O-RING16 | O | 1 | | | | |
| 050A | 183H92-3 | CAP SET | | 1 | * | | | |
| D10 | | INC. 49,51 | | | * | | | |
| 050B | 183J85-2 | CAP SET | | 1 | * | | | |
| 050-1A | 183J85-2 | CAP SET | O | 1 | * | | | |
| D10 | | INC. 49,51 | | | * | | | |
| 050-1B | 140G30-2 | CAP COMPLETE | < | 1 | | | | |
| 050-1C | 140G30-2 | CAP COMPLETE | | 1 | | | | |
| 050-2A | 140G30-2 | CAP COMPLETE | < | 1 | | | | |
| D10 | | INC. 49,51 | | | | | | |
| 051A | 813T75-8 | CAP LABEL | | 1 | * | | | |
| 051B | 813T75-8 | CAP LABEL | | 1 | * | | | |

Please order the parts with part number.

Print Date 22/9/2021

Model No.DGA518 125MM CORDLESS ANGLE GRINDER

| Item | Parts No. | Description | I/C | Qty | New/Old | Sales | Purch. | Note |
|--------|-----------|--------------------------|-----|-----|---------|-------|--------|------|
| 051-1A | 818H48-4 | CAP LABEL | < | 1 | | | | |
| 051-1B | 818H48-4 | CAP LABEL | < | 1 | | | | |
| 051-1C | 818H48-4 | CAP LABEL | | 1 | | | | |
| A01 | A-80656 | GRINDING WHEEL 125 WA36N | | 1 | | | | |
| A02 | 158237-4 | GRIP 36 COMPLETE | | 1 | | | | |
| A03 | 782423-1 | LOCK NUT WRENCH 35 | | 1 | | | | |
| A04A | 198906-5 | WIRELESS UNIT SET | | 1 | * | | | |
| A04-1A | 199393-1 | WIRELESS UNIT SET | | 1 | * | | | |
| A04-2A | 199393-1 | WIRELESS UNIT SET | < | 1 | * | | | |
| A04-3A | 199393-1 | WIRELESS UNIT SET | < | 1 | | | | |
| A05C | ***DC18RC | DC18RC FAST CHARGER | | 1 | | | | |
| D10 | | COMPO-PARTS | | | | | | |
| A06-1C | 197280-8 | BATTERY BL1850B SET | | 2 | | | | |
| A07C | 450128-8 | BATTERY COVER | | 1 | | | | |
| A08C | 821734-0 | PLASTIC CASE | | 1 | * | | | |
| C10 | 162315-4 | LATCH | | 2 | * | | | |
| A08-1C | 821817-6 | PLASTIC CASE | O | 1 | | | | |
| C10 | 162315-4 | LATCH | | 2 | | | | |

Please order the parts with part number.

Print Date 22/9/2021