



| | | | |
|------|--|---------------------|----|
| EN | Cordless Fan Jacket Cordless Fan Vest | INSTRUCTION MANUAL | 8 |
| ZHCN | 充电式风扇夹克 充电式冷风马甲 | 使用说明书 | 17 |
| ID | Jaket Kipas Nirkabel Rompi Kipas Nirkabel | PETUNJUK PENGGUNAAN | 26 |
| MS | Jaket Berkipas Tanpa Kord Ves Berkipas Tanpa Kord | MANUAL ARAHAN | 36 |
| VI | Áo Khoác Dài Tay Làm Mát Dùng Pin Áo Khoác Không Tay Làm Mát Dùng Pin | TÀI LIỆU HƯỚNG DẪN | 46 |
| TH | แจ็กเก็ตติดพัดลมไร้สาย เสื้อกั๊กติดพัดลมไร้สาย | คู่มือการใช้งาน | 55 |

DFJ212A /
DFJ213A /
DFJ214A /
DFJ216A /
DFJ312A /
DFJ416A
DFV210A /
DFV214A

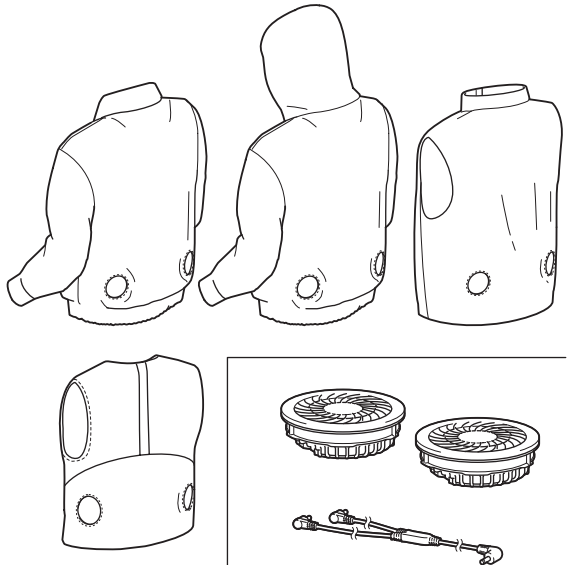


Fig.1

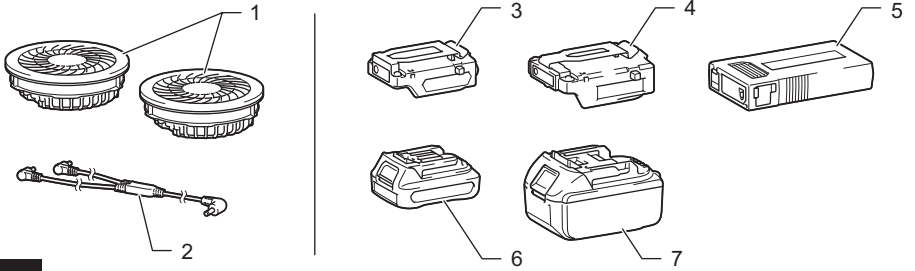
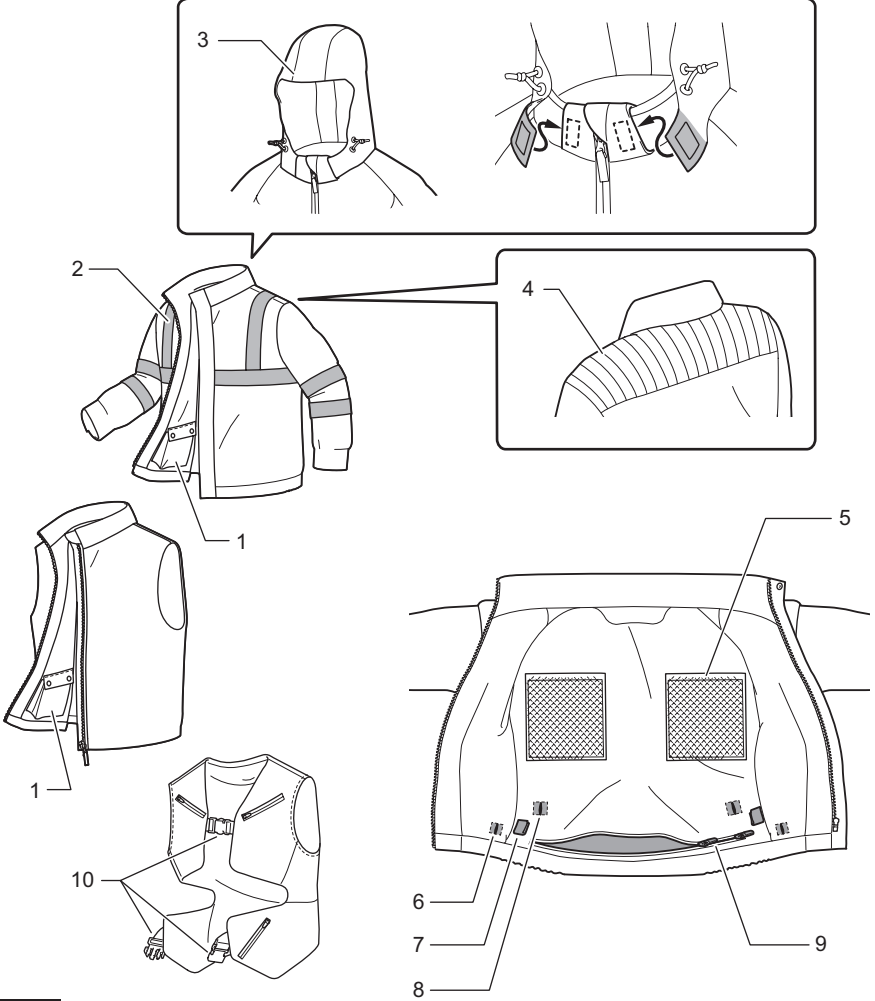
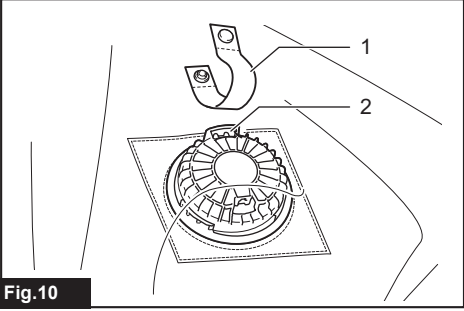
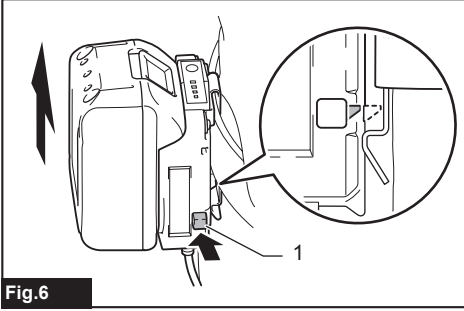
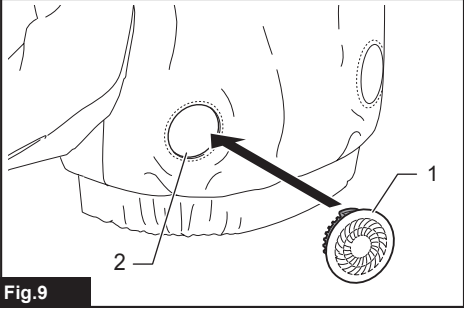
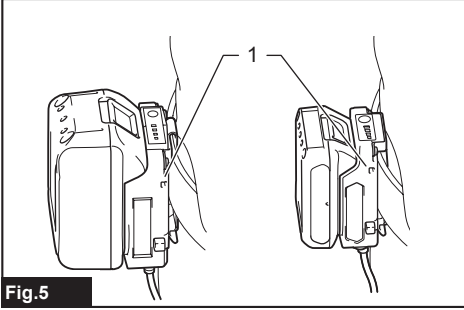
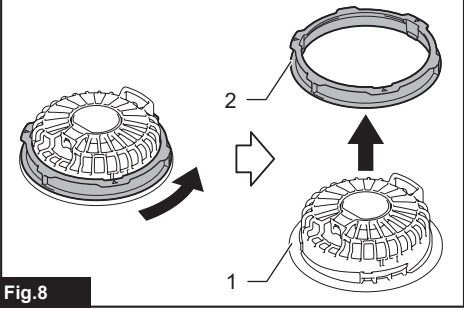
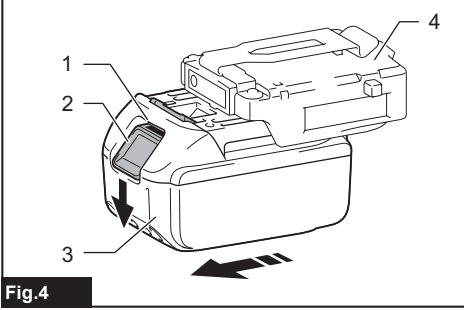
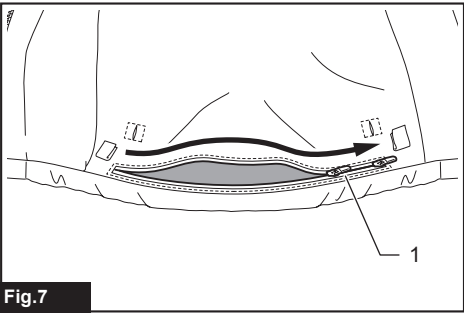
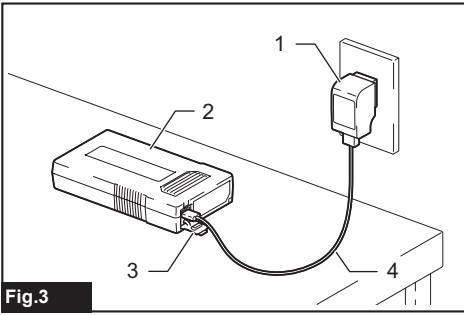
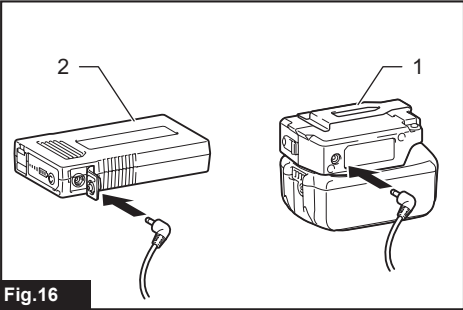
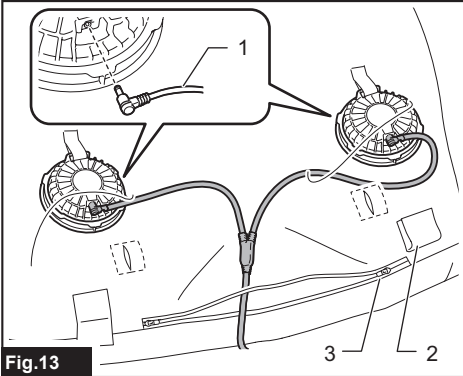
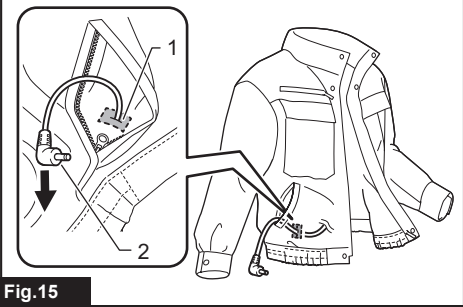
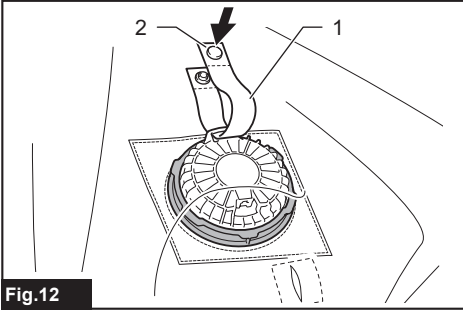
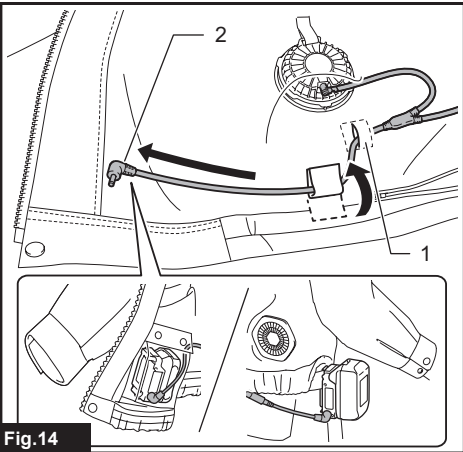
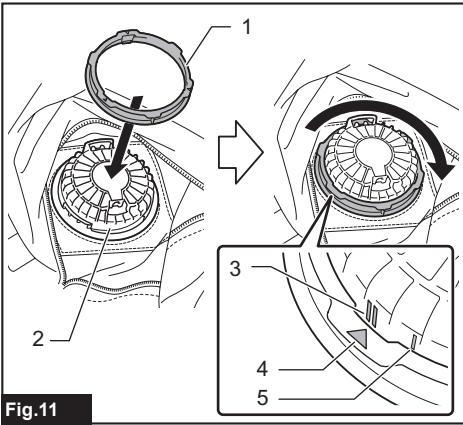


Fig.2







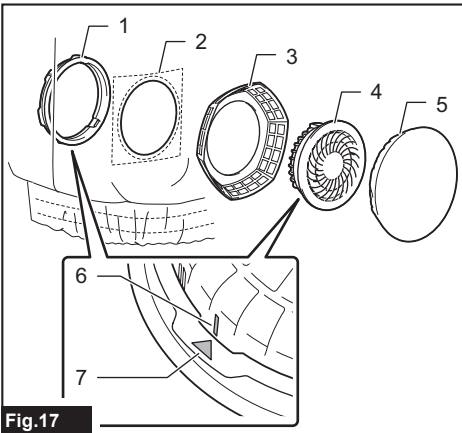


Fig.17

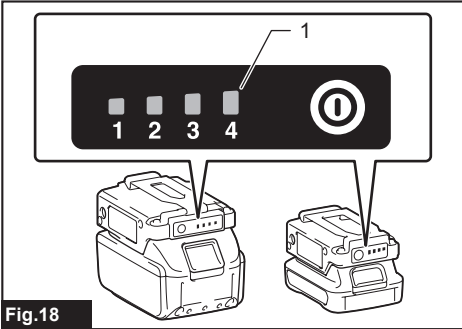


Fig.18

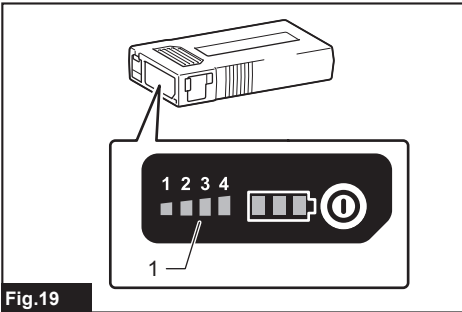


Fig.19

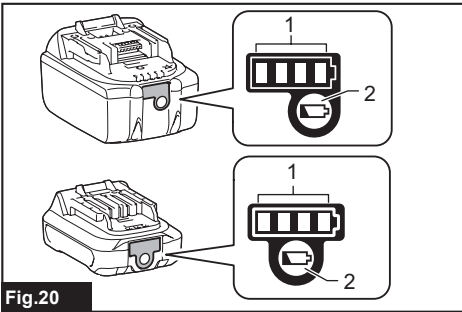


Fig.20

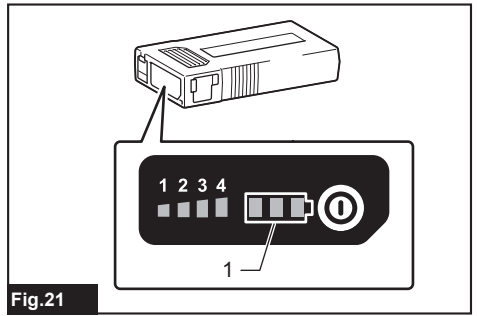


Fig.21

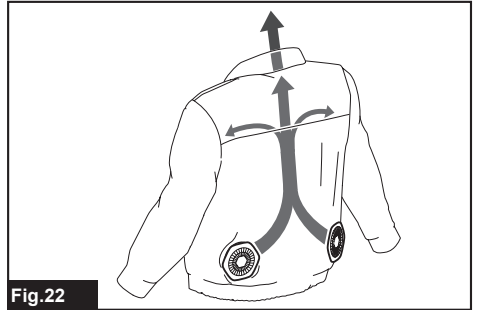


Fig.22



Fig.23

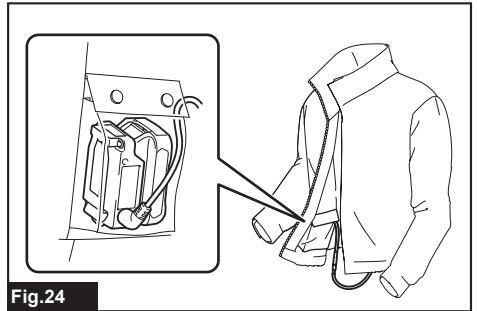


Fig.24

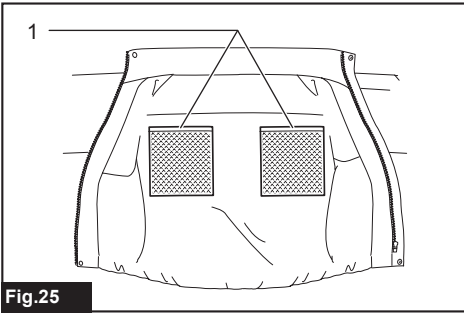


Fig.25

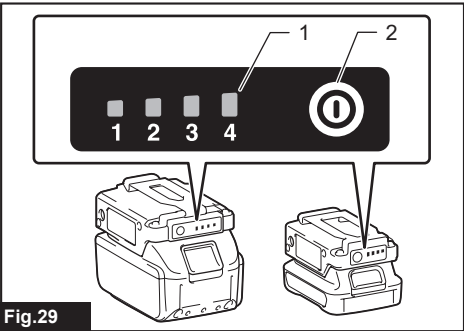


Fig.29

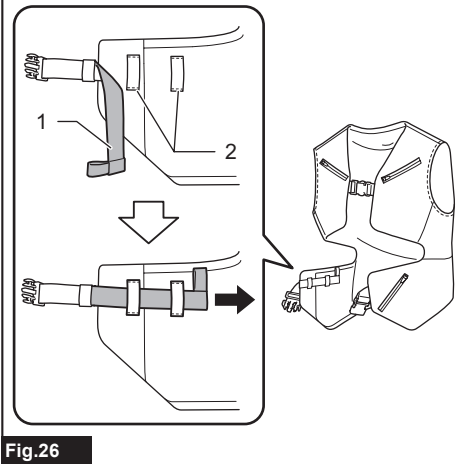


Fig.26

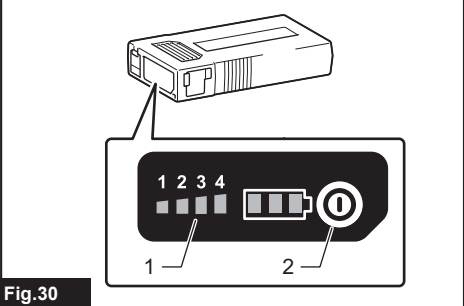


Fig.30

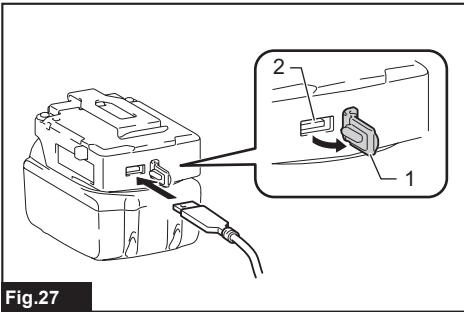


Fig.27

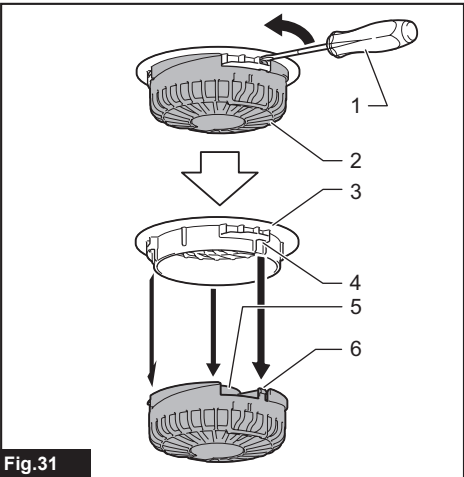


Fig.31

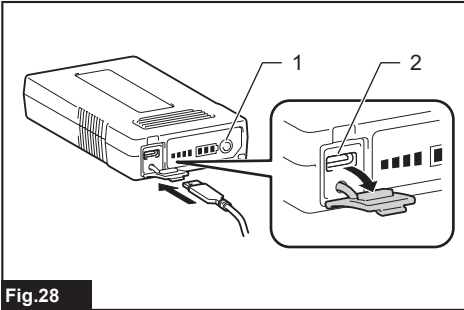


Fig.28

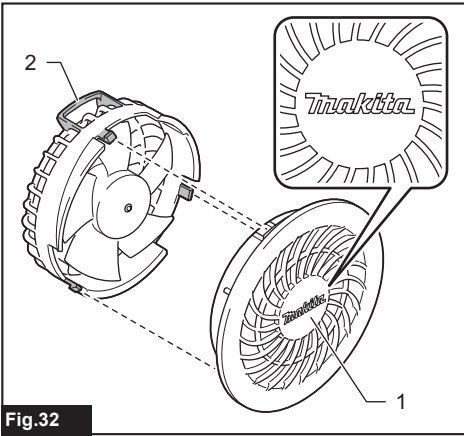


Fig.32

SPECIFICATIONS

Specifications of the jacket / vest

| Type | | Jacket | | | | | | Vest | |
|----------|---|----------------|---------|---------|---------|-------------|----------------|---------|---------|
| Model | | DFJ212A | DFJ213A | DFJ214A | DFJ216A | DFJ312A | DFJ416A | DFV210A | DFV214A |
| Material | Outer | Polyester 100% | | | | Cotton 100% | Polyester 100% | | |
| | Lining | Polyester 100% | | | - | Cotton 100% | Polyester 100% | | |
| | Pocket | Polyester 100% | | | | Cotton 100% | Polyester 100% | | |
| | Shoulder pad | - | | | | | Nylon 100% | - | |
| Feature | Battery pocket | ✓ | ✓ | ✓ | ✓ | ✓ | ✓ | ✓ | - |
| | Hole for direct access to the pocket (under the lining) | - | - | - | - | - | - | - | ✓ |
| | Mesh pocket for ice pack | - | - | - | ✓ | - | - | - | - |
| | Hood | ✓ | - | - | - | - | - | - | - |
| | Shoulder pad | - | - | - | - | - | ✓ | - | - |
| | Detachable sleeve | - | - | - | - | ✓ | ✓ | - | - |
| | Light reflector | - | - | ✓ | - | - | - | - | - |
| | Front buckle | - | - | - | - | - | - | - | ✓ |

Specifications of the battery holder (optional accessory)

| Model | Battery holder for LXT battery cartridge | Battery holder for CXT battery cartridge |
|-----------------------|--|--|
| Rated voltage | D.C. 14.4 V D.C. 18 V | D.C. 10.8 V - 12 V max |
| Battery cartridge | BL1415N / BL1430B / BL1440 / BL1460B BL1815N / BL1820B / BL1830B / BL1840B / BL1850B / BL1860B | BL1016 / BL1021B / BL1041B |
| USB power supply port | D.C. 5 V, 2.4 A, Type A | |

Specifications of the Battery BL1055B (optional accessory)

| | |
|-----------------------|-------------------------|
| Rated voltage | D.C. 10.8 V |
| USB power supply port | D.C. 5 V, 1.5 A, Type C |

- Due to our continuing program of research and development, the specifications herein are subject to change without notice.
- Specifications and battery cartridge may differ from country to country.
- Some of the battery cartridges listed above may not be available depending on your region of residence.

⚠ WARNING: Only use the battery cartridges listed above. Use of any other battery cartridges may cause injury and/or fire.

Operating time

















Unit: Hour

| Air speed | Battery | | | |
|-----------|---------|---------|---------|---------|
| | BL1055B | BL1041B | BL1430B | BL1860B |
| 4 | 6.5 | 4.0 | 4.5 | 10.0 |
| 3 | 10.0 | 6.5 | 7.0 | 16.0 |
| 2 | 18.5 | 12.0 | 13.5 | 29.5 |
| 1 | 40.5 | 27.5 | 31.0 | 68.0 |

- The operating times in the above table are a rough guideline. They may differ from actual operating times.
- Operating times may differ depending on battery type, charging status, and usage condition.

Symbols

Some of the following symbols are used for the product. Be sure to understand their meaning before use.

| | |
|--|--|
|  | Read the instruction manual. |
|  | Machine wash at below 30°C on the gentle cycle. |
|   | Machine wash at below 40°C on the gentle cycle. |
|  | Machine wash in domestic or commercial machines on the gentle cycle. |
|   | Do not bleach. |
|    | Line dry in the shade. |
|  | Do not wiring. |
|  | Iron at low temperatures (not exceeding 110°C). |
|  | Iron at medium temperatures (not exceeding 150°C). |
|  | Do not iron. |
|  | Do not dry clean. |
|  | Do not tumble dry. |



Ni-MH
Li-ion

Only for EU countries
Due to the presence of hazardous components in the equipment, waste electrical and electronic equipment, accumulators and batteries may have a negative impact on the environment and human health. Do not dispose of electrical and electronic appliances or batteries with household waste!

In accordance with the European Directive on waste electrical and electronic equipment and on accumulators and batteries and waste accumulators and batteries, as well as their adaptation to national law, waste electrical equipment, batteries and accumulators should be stored separately and delivered to a separate collection point for municipal waste, operating in accordance with the regulations on environmental protection.

This is indicated by the symbol of the crossed-out wheeled bin placed on the equipment.

Intended use

The fan jacket/vest is intended for cooling your body temperature.

SAFETY WARNINGS

⚠ WARNING: Read all safety warnings and all instructions. Failure to follow the warnings and instructions may result in electric shock, fire and/or serious injury.

Save all warnings and instructions for future reference.

1. **Never use the fan jacket when temperature reach more than 50°C (122°F). Also avoid use in high humidity.** Doing so may cause burns.
2. **Do not wear the jacket over bare skin.**
3. **Do not use the jacket while you are under the influence of drugs, alcohol or medication.**
4. **Do not sleep while wearing the fan jacket.** A steep decline of body temperature may harm your health.

5. **Children, handicapped persons, or anyone who is insensitive to temperature, for example, someone with poor blood circulation, should refrain from using the jacket.**
6. **This appliance is not intended for medical use in hospitals.**
7. **Do not use the jacket other than for its intended purpose.**
8. **If you sense anything unusual, switch off the jacket and remove the battery holder immediately.**
9. **If any abnormality is found, contact your local service center for repair.**
10. **Do not stamp on, throw or otherwise abuse the fan jacket.**
11. **Do not put your finger or a foreign object into the fan unit.**
12. **Do not blow compressed air toward the fan. Do not put small sticks into the fan unit.** Doing so may damage the fan and motor.
13. **Do not turn on the fan jacket unless you are wearing it.**
14. **Do not use the fan jacket in places where a fire or spark could be generated.** The fan unit may catch fire or spark and cause a fire or burns.
15. **Choose the appropriate fan speed in accordance with the usage environment for continuous use.**
16. **Do not wear any clothing over the fan jacket.**
17. **Keep the nameplate on the fan unit.** If it becomes unreadable or goes missing, contact your local service center for repair.
18. **Before washing, detach the fan unit and battery holder, remove the battery cartridge. Wash the jacket part only.**
19. **Do not leave the fan jacket in a place subject to high heat, such as a car sitting in the sun.** Doing so may cause plastic parts to melt and become damaged.
20. **For long time storage, remove the battery holder and battery cartridge from the jacket, and remove the battery cartridge from the battery holder.**
21. **When storing, keep the fan jacket, fan units, battery holder, and battery cartridge out of reach of children.**
22. **Do not use the fan jacket when performing welding operation or operations using a grinder.** Spark entering the fan unit may cause fire.
23. **Keep your hair and clothing away from the fan unit.** They can be caught in moving parts of the fan unit.
4. **Do not abuse the cord. Do not use the cord for carrying, pulling or unplugging the jacket. Keep the cord away from heat, oil, and sharp edges.**
5. **Do not leave any cord disconnected while the battery power is supplied.** Small children may put the live plug in their mouth and cause injury.
6. **Do not use the supplied cord with appliances other than the fan unit.**
7. **Do not insert nails, wires, or other items into the USB power supply port.** Doing so may cause short circuit, which can cause smoke or a fire.
8. **Do not connect the power source to the USB port. The USB port is only intended for charging lower voltage devices. Always place the cover over the USB port when not charging a lower voltage device.** Otherwise there is risk of fire.
9. **Prevent unintentional starting. Ensure the switch is in the off-position before connecting to battery cartridge, picking up or carrying the appliance.** Carrying the appliance with your finger on the switch or energizing appliance that have the switch on invites accidents.
10. **Disconnect battery cartridge from the appliance or place the switch in the locked or off position before making any adjustments, changing accessories, or storing the appliance.** Such preventive safety measures reduce the risk of starting the appliance accidentally.
11. **Recharge only with the charger specified by the manufacturer. A charger that is suitable for one type of battery pack may create a risk of fire when used with another battery pack.**
12. **Only use with specifically designated batteries. Use of any other battery may create a risk of injury and fire.**
13. **When battery pack is not in use, keep it away from other metal objects, like paper clips, coins, keys, nails, screws or other small metal objects, that can make a connection from one terminal to another.** Shorting the battery terminals together may cause burns or a fire.
14. **Under abusive conditions, liquid may be ejected from the battery; avoid contact. If contact accidentally occurs, flush with water. If liquid contacts eyes, additionally seek medical help.** Liquid ejected from the battery may cause irritation or burns.
15. **Do not use a battery pack or the fan unit that is damaged or modified.** Damaged or modified batteries may exhibit unpredictable behaviour resulting in fire, explosion or risk of injury.
16. **Do not expose a battery pack or the fan unit to fire or excessive temperature.** Exposure to fire or temperature above 130 °C may cause explosion.
17. **Follow all charging instructions and do not charge the battery pack or the fan unit outside the temperature range specified in the instructions.** Charging improperly or at temperatures outside the specified range may damage the battery and increase the risk of fire.

Electrical safety

1. **Do not expose the jacket to rain or wet conditions. Keep water away from electrical parts.** Water entering the jacket may increase the risk of an electric shock.
2. **Do not handle the cord and battery with wet or greasy hands.**
3. **Do not use the fan jacket when the cord or plug is damaged.**

18. **Have servicing performed by a qualified repair person using only identical replacement parts.** This will ensure that the safety of the product is maintained.
19. **Do not modify or attempt to repair the appliance or the battery pack except as indicated in the instructions for use and care.**
12. **Use the batteries only with the products specified by Makita.** Installing the batteries to non-compliant products may result in a fire, excessive heat, explosion, or leak of electrolyte.
13. **If the tool is not used for a long period of time, the battery must be removed from the tool.**
14. **During and after use, the battery cartridge may take on heat which can cause burns or low temperature burns. Pay attention to the handling of hot battery cartridges.**

Important safety instructions for battery cartridge

1. **Before using battery cartridge, read all instructions and cautionary markings on (1) battery charger, (2) battery, and (3) product using battery.**
2. **Do not disassemble or tamper with the battery cartridge.** It may result in a fire, excessive heat, or explosion.
3. **If operating time has become excessively shorter, stop operating immediately.** It may result in a risk of overheating, possible burns and even an explosion.
4. **If electrolyte gets into your eyes, rinse them out with clear water and seek medical attention right away.** It may result in loss of your eyesight.

5. **Do not short the battery cartridge:**
 - (1) **Do not touch the terminals with any conductive material.**
 - (2) **Avoid storing battery cartridge in a container with other metal objects such as nails, coins, etc.**
 - (3) **Do not expose battery cartridge to water or rain.**

A battery short can cause a large current flow, overheating, possible burns and even a breakdown.

6. **Do not store and use the tool and battery cartridge in locations where the temperature may reach or exceed 50 °C (122 °F).**
7. **Do not incinerate the battery cartridge even if it is severely damaged or is completely worn out. The battery cartridge can explode in a fire.**
8. **Do not nail, cut, crush, throw, drop the battery cartridge, or hit against a hard object to the battery cartridge.** Such conduct may result in a fire, excessive heat, or explosion.
9. **Do not use a damaged battery.**
10. **The contained lithium-ion batteries are subject to the Dangerous Goods Legislation requirements.**

For commercial transports e.g. by third parties, forwarding agents, special requirement on packaging and labeling must be observed.

For preparation of the item being shipped, consulting an expert for hazardous material is required. Please also observe possibly more detailed national regulations.

Tape or mask off open contacts and pack up the battery in such a manner that it cannot move around in the packaging.

11. **When disposing the battery cartridge, remove it from the tool and dispose of it in a safe place. Follow your local regulations relating to disposal of battery.**

15. **Do not touch the terminal of the tool immediately after use as it may get hot enough to cause burns.**
16. **Do not allow chips, dust, or soil stuck into the terminals, holes, and grooves of the battery cartridge.** It may result in poor performance or breakdown of the tool or battery cartridge.
17. **Unless the tool supports the use near high-voltage electrical power lines, do not use the battery cartridge near high-voltage electrical power lines.** It may result in a malfunction or breakdown of the tool or battery cartridge.
18. **Keep the battery away from children.**

SAVE THESE INSTRUCTIONS.

⚠ CAUTION: Only use genuine Makita batteries. Use of non-genuine Makita batteries, or batteries that have been altered, may result in the battery bursting causing fires, personal injury and damage. It will also void the Makita warranty for the Makita tool and charger.

Tips for maintaining maximum battery life

1. **Charge the battery cartridge before completely discharged. Always stop tool operation and charge the battery cartridge when you notice less tool power.**
2. **Never recharge a fully charged battery cartridge. Overcharging shortens the battery service life.**
3. **Charge the battery cartridge with room temperature at 10 °C - 40 °C (50 °F - 104 °F). Let a hot battery cartridge cool down before charging it.**
4. **When not using the battery cartridge, remove it from the tool or the charger.**
5. **Charge the battery cartridge if you do not use it for a long period (more than six months).**

PARTS DESCRIPTION

► Fig.1

| | | | | | | | |
|---|--------------------------------------|---|---|---|---|---|--|
| 1 | Fan unit | 2 | Power cable | 3 | Battery holder for CXT battery cartridge * | 4 | Battery holder for LXT battery cartridge * |
| 5 | Battery BL1055B * (Country specific) | 6 | CXT battery cartridge * (10.8 V - 12 V max) | 7 | LXT battery cartridge * (14.4 V / 18 V max) | - | - |

* Optional accessory

► Fig.2

| | | | | | | | |
|---|------------------------------------|----|---|---|--------------|---|--------------------------|
| 1 | Battery pocket | 2 | Light reflector | 3 | Hood | 4 | Shoulder pad |
| 5 | Mesh pocket for ice pack | 6 | Cable hole in the pocket (under the lining) | 7 | Cable holder | 8 | Cable hole in the lining |
| 9 | Zip fastener (for fan unit access) | 10 | Front buckle | - | - | - | - |

NOTE: The features of the jacket/vest vary depending on the model. Refer to the section for the specifications for the features of your jacket/vest.

INSTALLATION

Charging the battery

Battery cartridges used with battery holder













Refer to the instruction manual of the charger for how to charge the battery.

Battery BL1055B

Open the cover on the USB port. Connect the USB port and AC Power Adapter ADP07 (not included) using the USB cable supplied with the battery. After that, plug the AC Power Adapter ADP07 to the mains. When the charging is finished, all battery capacity indicator will light up and then turns off after a certain period. Unplug the AC Power Adapter and disconnect the USB cable, and then close the cover.

► **Fig.3:** 1. AC Power Adapter ADP07 2. Battery BL1055B 3. Cover 4. USB cable

Meaning of the indicator lamp

| Indicator lamps | | | Remaining capacity |
|---|---|---|--------------------|
| Lighted | Off | Blinking | |
|  |  |  | 100% |
| (The lamps go off after a certain period.) | | | |
|  |  |  | 51% to 99% |
|  |  |  | 26% to 50% |
|  |  |  | 0% to 25% |

Installing or removing the battery cartridge

Only when using the battery cartridge used with battery holder

CAUTION: Always switch off the device before installing or removing the battery cartridge.

CAUTION: Hold the battery holder and the battery cartridge firmly when installing or removing the battery cartridge. Failure to hold the battery holder and the battery cartridge firmly may cause them to slip out of your hands and result in damage to the battery holder and battery cartridge and/or a personal injury.

► **Fig.4:** 1. Red indicator 2. Button 3. Battery cartridge 4. Battery holder

To install the battery cartridge, align the tongue on the battery cartridge with the groove in the housing and slip it into place. Insert the battery cartridge all the way until it locks in place with a small click. If you can see the red indicator on the upper side of the button, it is not locked completely.

To remove the battery cartridge, slide it from the battery holder while pressing the button on the front of the cartridge.

CAUTION: Always install the battery cartridge fully until the red indicator cannot be seen. Otherwise the battery cartridge may accidentally fall out of the battery holder, causing injury to you or someone around you.

CAUTION: Do not forcibly install the battery cartridge. If the battery cartridge does not slide in easily, it is not being inserted correctly.

Attaching the battery holder

Only when using the battery cartridge used with battery holder

You can hang the battery holder on your waist belt. To prevent the battery holder from dropping accidentally, attach a strap using the strap hole and secure it.
► **Fig.5:** 1. Strap hole

The battery holder has an anti-drop function. When removing the battery holder from the belt, pull up the battery holder while pressing the unlock button.
► **Fig.6:** 1. Unlock button

Installing or removing the fan unit

1. Open the zip fastener inside the jacket. (Skip this step if your jacket/vest does not have the lining)
► **Fig.7:** 1. Zip fastener
2. Turn the ring counterclockwise and remove it from the fan unit.
► **Fig.8:** 1. Fan unit 2. Ring
3. From the outside of the jacket/vest, insert the head of the fan unit into the hole in the jacket/vest.
► **Fig.9:** 1. Fan unit 2. Hole
4. From the inside of the jacket/vest, place the fan unit so that the loop on the fan unit comes closest to the strip on the jacket/vest. (Do not fasten the snap button on the strip at this step.)
► **Fig.10:** 1. Strip 2. Loop
5. From the inside of the jacket/vest, place the ring onto the fan unit and turn it clockwise until the triangle marking is aligned with " II " marking.
► **Fig.11:** 1. Ring 2. Fan unit 3. " II " marking 4. Triangle marking 5. " I " marking

NOTE: When turning the ring, be careful not to move the fan unit position. Keep the position of the loop on the fan unit closest to the strip.

NOTE: Put the ring parallel to the fan unit. If not, you may not be able to turn the ring smoothly.

NOTE: When you use filter set (optional accessory), turn the ring until the triangle marking is aligned with " I " marking. (the ring cannot be turned up to " II " marking)

6. Pass the strip through the loop on the fan unit and fasten the snap button.
► **Fig.12:** 1. Strip 2. Snap button

CAUTION: Always use the strip and snap button to secure the fan unit to the jacket/vest. If the fan unit falls, it may cause an injury, or damage to the fan unit.

7. Attach the other fan unit to the jacket/vest in the same way.
8. Connect the power cable to the fan units.
► **Fig.13:** 1. Power cable 2. Cable holder 3. Zip fastener

NOTE: The zip fastener is not provided with the jacket/vest without lining.

NOTICE: Always connect the power cable to both of the fan units. The fan does not operate if the power cable is connected to one fan unit only.

9. Follow either instructions below depending on how to store the battery when using the fan jacket/vest:
When storing the battery in the battery pocket or on your belt

Pass the end of the power cable out through the hole in the jacket's/vest's lining as shown in the figure (skip this step if your jacket/vest does not have the lining). Support the cable using the cable holder.
► **Fig.14:** 1. Hole in the lining 2. Power cable

When storing the battery in the jacket's/vest's pocket

(Only for the jackets/vests with the hole for direct access to the pocket)

From the inside of the jacket/vest, pass the end of the power cable out through the hole in the jacket's/vest's pocket as shown in the figure.
► **Fig.15:** 1. Hole in the pocket 2. Power cable

10. Connect the power cable to the battery holder / Battery BL1055B.
► **Fig.16:** 1. Battery holder 2. Battery BL1055B

11. Close the zip fastener. (Skip this step if your jacket/vest does not have the lining)

CAUTION: When using the fan jacket/vest, securely store the battery in the pocket or hook it on your belt to prevent it from falling.

Follow the installation procedure in reverse when removing it.

Attaching the filter set

Optional accessory

The filter set protects the fan unit from dust and powder. We recommend that you use the filter set in a dusty or powdery work place.

Install the filter attachment between the fan unit and the ring. Turn the ring clockwise until the triangle marking is aligned with " I " marking. After that, attach the filter onto the filter attachment.

- **Fig.17:** 1. Ring 2. Hole in the jacket/vest 3. Filter attachment 4. Fan unit 5. Filter 6. " I " marking 7. Triangle marking

NOTICE: Make sure that the filter fully covers the filter attachment. For better protection against dust and powder, tuck the skirt of the filter between the jacket/vest and filter attachment.

FUNCTIONAL DESCRIPTION

NOTICE: The fan jacket/vest is effective when the humidity and temperature of intake air are lower than those of the body surface. The fan jacket/vest may not be effective if the air temperature and/or humidity are higher than those inside the jacket/vest.

Power level indicator

Current power level is displayed in the power level indicator.

Battery holder

► Fig.18: 1. Power level indicator

Battery BL1055B

► Fig.19: 1. Power level indicator

NOTICE: For Battery BL1055B, the lamp No.1 and No.4 will blink alternately if there is abnormality in the connection between the battery and fan unit.

Indicating the remaining battery capacity

NOTE: Depending on the conditions of use and the ambient temperature, the indication may differ slightly from the actual capacity.

Only when using the battery cartridge (with the indicator) used with battery holder

Press the check button. The indicator lamps light up for a few seconds.

► Fig.20: 1. Indicator lamp 2. Check button

Meaning of the indicator lamp

| Indicator lamps | | | Remaining capacity |
|--------------------------|---------|----------|-------------------------------------|
| Lighted | Off | Blinking | |
| ■ | □ | ▧ | 75% to 100% |
| ■ ■ ■ ■ | | | |
| ■ ■ ■ | □ | | 51% to 75% |
| ■ ■ | □ □ | | 25% to 50% |
| ■ | □ □ □ | | Less than 25% |
| ▧ | □ □ □ □ | | Charge the battery. |
| (For LXT batteries only) | | | |
| ■ ■ | □ □ | | The battery may have malfunctioned. |
| □ □ | ■ ■ | | |
| (For LXT batteries only) | | | |

NOTE: For LXT batteries only:

The first (far left) indicator lamp will blink when the battery protection system works.

Battery BL1055B

While the battery BL1055B is unplugged, press the power button. The battery capacity indicator light up for a few seconds.

► Fig.21: 1. Battery capacity indicator

Meaning of the indicator lamp

| Indicator lamps | | | Remaining capacity |
|-----------------|-------|----------|---------------------|
| Lighted | Off | Blinking | |
| | ■ ■ ■ | | 51% to 100% |
| | ■ ■ □ | | 26% to 50% |
| | ■ □ □ | | 11% to 25% |
| | ▧ □ □ | | Less than 11% |
| | ▧ □ ▧ | | Battery abnormality |

Battery protection system

The device is equipped with a battery protection system. This system automatically cuts off power to the motor to extend battery life.

If the remaining battery capacity is too low, the device will not operate. When you turn the device on, the motor will run again, but stops soon. In this situation, remove and recharge the battery cartridge.

Air flow

Air flow inside the jacket is shown below.

► Fig.22

For the jacket with the hood, wear the hood over your helmet. The air from the fan goes through the helmet and cools your head.

► Fig.23

Battery pocket

NOTE: Some jacket/vest does not have the battery pocket. Refer to the section for the specifications for the features of your jacket/vest.

Use the battery pocket for storing the battery or the holder (with battery) inside the jacket/vest.

► Fig.24

CAUTION: Always fasten the snap buttons when the battery is stored in the pocket.

Mesh pocket

NOTE: Some jacket/vest does not have the mesh pocket. Refer to the section for the specifications for the features of your jacket/vest.

Use mesh pockets on the back of the jacket/vest for storing ice packs.

► **Fig.25:** 1. Mesh pocket

Front buckle

NOTE: Some jacket/vest does not have the front buckle. Refer to the section for the specifications for the features of your jacket/vest.

Adjust the belt length according to your size. If the belt droops down, pass it through the belt loop(s) as shown in the figure.

► **Fig.26:** 1. Belt 2. Belt loop

Connecting USB devices

⚠ CAUTION: Connect only devices that are compatible with the USB power supply port. Not doing so may cause a malfunction of the battery holder.

NOTICE: Before connecting a USB device, always back up the data on the USB device. Not doing so may cause a loss of your data.

NOTICE: The battery holder and Battery BL1055B may not supply power to some USB devices.

NOTICE: When not using or after charging, remove the USB cable and close the cover.

NOTE: The actual output current varies depending on the USB device to be connected.

NOTE: Battery power is consumed while the power button is turned on. Always turn off the switch when not in use.

NOTE: When charging multiple USB devices in succession, wait about 10 seconds after charging of the previous device has completed before beginning to charge the next device.

The battery holder (with the battery) and Battery BL1055B can work as an external power supply for USB devices.

1. Open the cover and connect a USB cable (not included) to the USB port. Then connect the other end of the cable to the device.
2. Start charging:
 - When using battery holder (with the battery), press and hold the power button until the power level indicator lights up. The battery supplies DC 5 V, 2.4 A.

Battery holder (with battery)

► **Fig.27:** 1. Cover 2. USB port

- When using Battery BL1055B, press the power button. The battery supplies DC 5 V, 1.5 A.

Battery BL1055B

► **Fig.28:** 1. Power button 2. USB port

OPERATION

To turn on the fan, press and hold the power button. The fan starts at the maximum power level 4. Each time you press the power button, the power level changes from 4 to 1, and returns to 4. The power level indicator shows the current setting.

To turn off, press and hold the power button again.

Battery holder

► **Fig.29:** 1. Power level indicator 2. Power button

Battery BL1055B

► **Fig.30:** 1. Power level indicator 2. Power button

MAINTENANCE

⚠ CAUTION: Always be sure that the jacket is switched off and the battery cartridge or Battery BL1055B is removed before attempting to perform inspections or maintenance.

⚠ CAUTION: If the jacket/vest does not switch on or any fault is found with a fully charged battery cartridge, clean the terminals of the battery holder and the battery cartridge. If the jacket still does not work properly, stop using the jacket/vest and contact our authorized service center.

NOTICE: Never use gasoline, benzine, thinner, alcohol or the like. Discoloration, deformation or cracks may result.

To maintain product SAFETY and RELIABILITY, repairs, any other maintenance or adjustment should be performed by Makita Authorized or Factory Service Centers, always using Makita replacement parts.

Cleaning the fan unit

Wipe off dirt, dust, oil, grease .etc, with clean dry cloth. To clean the fan blade, remove the ring and unhook the housing from the cover using slotted screwdriver or similar. There are three hooks on the housing. Unhook them little by little in rotation so as not to break the hooks.

► **Fig.31:** 1. Slotted screwdriver 2. Housing 3. Cover 4. Hole 5. Fan blade 6. Hook

NOTICE: Do not remove the fan blade from the housing.

NOTICE: Do not wash the fan unit with water.

Be sure to attach the cover after cleaning the fan blade. Place the cover onto the housing as shown in the figure (note the direction of the logo on the cover and the loop on the housing). Align the hooks with the holes and then snap it on.

► **Fig.32:** 1. Logo on the cover 2. Loop on the housing

Cleaning the jacket/vest

- Detach the fan unit(s) and battery or battery holder from the jacket/vest before washing.
- Follow the instructions on the tag.
- Cotton products may shrink when washed.
- Do not wash the jacket/vest with other clothes. Doing so may cause color fading or color transfer.
- Use a laundry net when using a washing machine.
- Do not use the fabric softener.
- Use only neutral detergent.
- After washing, take out the jacket/vest from washing machine at once.
- Be sure to close the zip fastener before washing.

For the jacket with light reflector

- The performance of light reflector parts may be weakened by washing.
- Machine wash in gentle cycle (The number of times for washing is up to 5 times.)
- The number of times for washing is not the only factor to decide the lifetime of the jacket.
- The life of the jacket changes by how to use, how to care and store state.
- If the light reflector parts or clothes have been deteriorated, replace to a new jacket.

NOTE: The features of the jacket/vest vary depending on the model. Refer to the section for the specifications for the features of your jacket/vest.

OPTIONAL ACCESSORIES

CAUTION: These accessories or attachments are recommended for use with your Makita tool specified in this manual. The use of any other accessories or attachments might present a risk of injury to persons. Only use accessory or attachment for its stated purpose.

If you need any assistance for more details regarding these accessories, ask your local Makita Service Center.

- Filter set
- Battery BL1055B
- Battery holder
- Adapter cable for fan jacket/vest
- Adapter cable for heated jacket/vest/blanket
- Makita genuine battery and charger

NOTE: Some items in the list may be included in the tool package as standard accessories. They may differ from country to country.

规格

夹克/马甲规格

| 类型 | | 夹克 | | | | | | 马甲 | |
|----|-------------------------|----------|---------|---------|---------|-----------|------------|---------|---------|
| 型号 | | DFJ212A | DFJ213A | DFJ214A | DFJ216A | DFJ312A | DFJ416A | DFV210A | DFV214A |
| 材料 | 外层 | 聚酯纤维100% | | | | 棉 100% | 聚酯纤维100% | | |
| | 衬里 | 聚酯纤维100% | | | - | 棉 100% | 聚酯纤维100% | | |
| | 口袋 | 聚酯纤维100% | | | | 棉 100% | 聚酯纤维100% | | |
| | 肩垫 | - | | | | | 尼龙 100% | - | |
| 特点 | 电池袋 | ✓ | ✓ | ✓ | ✓ | ✓ | ✓ | ✓ | - |
| | 直接通向口袋 的小孔 (在内衬下) | - | - | - | - | - | - | - | ✓ |
| | 冰袋用网袋 | - | - | - | ✓ | - | - | - | - |
| | 风帽 | ✓ | - | - | - | - | - | - | - |
| | 肩垫 | - | - | - | - | - | ✓ | - | - |
| | 可拆卸式衣袖 | - | - | - | - | ✓ | ✓ | - | - |
| | 反光条 | - | - | ✓ | - | - | - | - | - |
| | 前扣 | - | - | - | - | - | - | - | ✓ |

电池座规格 (选购附件)

| 型号 | LXT电池组的电池座 | CXT电池组的电池座 |
|---------|---|----------------------------|
| 额定电压 | D.C. 14.4 V D.C. 18 V | D.C. 10.8 V - 12 V 最大 |
| 电池组 | BL1415N / BL1430B / BL1440 / BL1460B BL1815N / BL1820B / BL1830B / BL1840B / BL1850B / BL1860B | BL1016 / BL1021B / BL1041B |
| USB供电端口 | D.C. 5 V, 2.4 A, A型 | |

电池BL1055B规格（选购附件）

| | |
|---------|---------------------|
| 额定电压 | D.C. 10.8 V |
| USB供电端口 | D.C. 5 V, 1.5 A, C型 |

- 生产者保留变更规格不另行通知之权利。
- 规格和电池组可能因销往国家之不同而异。
- 部分以上所列电池组和充电器是否适用视用户所在地区而异。

⚠警告： 请仅使用以上所列电池组。使用其他类型的电池组可能会导致人身伤害和 / 或失火。

工作时间

单位：小时


| 风速 | 电池 | | | |
|----|---------|---------|---------|---------|
| | BL1055B | BL1041B | BL1430B | BL1860B |
| 4 | 6.5 | 4.0 | 4.5 | 10.0 |
| 3 | 10.0 | 6.5 | 7.0 | 16.0 |
| 2 | 18.5 | 12.0 | 13.5 | 29.5 |
| 1 | 40.5 | 27.5 | 31.0 | 68.0 |


- 上表中的工作时间仅为粗略指南。实际工作时间可能有所不同。
- 工作时间可能因电池类型、充电状态和使用情况不同而异。

符号

本产品使用以下符号。在使用前请务必理解其含义。

| | |
|--|----------------------|
|  | 阅读使用说明书。 |
|  | 使用轻柔模式在不到30°C条件下机洗。 |
|  | 使用轻柔模式在不到40°C条件下机洗。 |
|  | 使用轻柔模式在家中机洗或在洗衣店中机洗。 |
|  | 不得漂白。 |
|  | 在阴凉处晾干。 |
|  | 不得晾干。 |
|  | 低温熨烫（不超过110°C）。 |
|  | 中温熨烫（不超过150°C）。 |
|  | 不得熨烫。 |

 不得干洗。

 不得烘干。



仅限于欧盟国家
 由于本设备中包含有害成分，因此废弃的电气和电子设备、蓄电池和普通电池可能会对环境和人体健康产生负面影响。请勿将电气和电子工具或电池与家庭普通废弃物放在一起处置！
 根据欧洲关于废弃电气电子设备、蓄电池和普通电池的指令及其国家层面的修订法案，废弃的电气设备、普通电池和蓄电池应当单独存放并递送至城市垃圾收集点，根据环保法规进行处置。
 此规定由标有叉形标志的带轮垃圾桶符号表示。

用途

风扇夹克/背心的预期用途为降体温。

安全警告

警告： 阅读所有警告和所有说明。不遵照以下警告和说明会导致电击、着火和/或严重伤害。

保存所有警告和说明书以备查阅。

1. 如果温度超过**50°C (122°F)**，请勿使用风扇夹克。同时避免在高湿度环境下使用。否则可能引起灼伤。
2. 请勿直接贴身穿着夹克。
3. 请勿在服用麻醉品、饮酒之后或在其他药物作用下影响下使用夹克。
4. 请勿穿着风扇夹克睡觉。身体温度的剧烈下降可能会损害您的健康。
5. 儿童、残障人士或对温度敏感的人士（如血液循环不畅者）不得使用此夹克。
6. 本工具不得在医院中用作医疗用途。
7. 请勿超出既定用途使用本夹克。
8. 如果您感觉到任何异常，请立即关闭夹克开关并移除电池座。
9. 如果发现任何异常，请联系当地的服务中心进行维修。
10. 请勿踩踏、抛掷或以其他方式滥用此风扇夹克。
11. 请勿将手指或者异物放入风扇装置内。
12. 请勿向风扇喷射压缩空气。请勿将小的棒状物插入风扇装置中。这样做可能会损坏风扇与电机。
13. 除非在穿着状态下，请勿打开风扇夹克。
14. 请勿在可能产生火苗或火星的场所使用风扇夹克。风扇装置可能会吸入火苗或火星，进而导致起火或灼伤。
15. 请依照使用环境选择恰当的风扇速度，以实现连续使用。
16. 请勿在风扇夹克外穿着任何衣物。
17. 请保留风扇装置上的铭牌。如果铭牌不可辨认或者丢失，请联系当地的服务中心进行维修。
18. 洗涤之前，请先卸下风扇装置与电池座，并移除电池组。仅洗涤夹克部分。
19. 请勿将风扇夹克置于可能出现高温的场所，如在阳光下停放的车辆。否则，塑料部件可能会熔化并受损。
20. 如果需要长时间存放，请从夹克上移除电池座与电池组。

21. 存放时，请将风扇夹克、风扇装置、电池座与电池组放在儿童无法接触的位置。
22. 在进行焊接操作或者使用磨光机进行操作时，请勿穿着风扇夹克。否则，火花进入风扇单元内可能会导致起火。
23. 确保您的头发和衣服远离风扇单元。避免其卷入风扇单元的运动部件中。

电气安全

1. 请勿将本夹克暴露在雨水或潮湿的环境中。请避免电气部件与水接触。夹克受潮将增加触电的危险。
2. 如果手上潮湿或者有油脂，请勿操作导线与电池。
3. 如果导线或插头受损，请勿使用带电池夹克。
4. 请勿不当使用导线。切勿用导线拖拽夹克或握住导线拔下夹克的插头。避免使导线受热、沾染油脂和碰到尖锐的边缘。
5. 使用电池供电时，请勿将任何导线断开。婴童可能将带电插头放入嘴中，并导致受伤。
6. 请勿将电源线用于除风扇装置之外的其他电器。
7. 请勿将钉子、电线或其他物品插入USB电源端口中。此举会导致短路，进而产生烟雾或起火。
8. 请勿将电源与USB端口连结。USB端口仅可用于对低压设备进行充电。如果不对低压设备进行充电，则需对USB端口加盖。否则，可能有起火的风险。
9. 防止意外启动。在连接至电池组、拿起或搬运工具之前，请确保开关处于关闭位置。搬运工具时手指放在开关上或者在开关打开的情况下给工具通电会导致意外情况发生。
10. 进行任何调整、更换配件或存放工具前，请将电池组从工具上断开连接或将开关拨到锁定或关闭的位置。这些安全防护措施可降低工具意外启动的风险。
11. 请仅使用制造商指定的充电器进行充电。将适用于某一种类型电池组的充电器用于其他类型的电池组时，可能会导致起火。
12. 仅使用特别指定的电池。使用其他电池可能会导致人身伤害或起火。
13. 不使用电池组时请将其远离纸夹、硬币、钥匙、钉子、螺丝或其他小型金属物体放置。这些物体可能会使电池端子短路。这些物体可能会使电池端子短路，引起燃烧或起火。

14. 使用过度时，电池中可能溢出液体。请避免接触。如果意外接触到电池漏液，请用水冲洗。如果液体接触到眼睛，请就医。电池漏液可能会导致过敏发炎或灼伤。
15. 不要使用损坏或改装过的电池组或风扇单元。损坏或改装过的电池组可能呈现无法预测的结果，导致着火、爆炸或伤害。
16. 不要将电池组或风扇单元暴露于火或高温中。暴露于火或高于130°C的高温中可能导致爆炸。
17. 遵循所有充电说明。不要在说明书中指定的温度范围之外给电池组或风扇单元充电。不正确或在指定的温度范围外充电可能会损坏电池和增加着火的风险。
18. 由具备必要资质的专业维修人员进行维修并只使用与原部件相同的更换部件。这样可确保产品的安全性。
19. 除非在使用和维护说明中另有指示，否则请勿改装或尝试维修工具或电池组。
10. 本工具附带的锂离子电池需符合危险品法规要求。
第三方或转运代理等进行商业运输时，应遵循包装和标识方面的特殊要求。有关运输项目的准备作业，咨询危险品方面的专业人士。同时，请遵守可能更为详尽的国家法规。
请使用胶布保护且勿遮掩表面的联络信息，并牢固封装电池，使电池在包装内不可动。
11. 丢弃电池组时，需将其从工具上卸下并在安全地带进行处理。关于如何处理废弃的电池，请遵循当地法规。
12. 仅将电池用于Makita（牧田）指定的产品。将电池安装至不兼容的产品会导致起火、过热、爆炸或电解液泄漏。
13. 如长时间未使用工具，必须将电池从工具内取出。
14. 使用工具期间以及使用工具之后，电池组温度可能较高易引起灼伤或低温烫伤。处理高温电池组时请小心操作。
15. 在使用工具后请勿立即触碰工具的端子，否则可能引起灼伤。
16. 避免锯屑、灰尘或泥土卡入电池组的端子、孔口和凹槽内。否则可能导致工具或电池组性能下降或故障。
17. 除非工具支持在高压电源线路附近使用，否则请勿在高压电源线路附近使用电池组。否则可能导致工具或电池组故障或失常。

电池组的重要安全注意事项

1. 在使用电池组之前，请仔细阅读所有的说明，以及（1）电池充电器，（2）电池，以及（3）使用电池的产品上的警告标记。
2. 切勿拆卸或改装电池组。否则可能引起火灾、过热或爆炸。
3. 如果机器运行时间变得过短，请立即停止使用。否则可能会导致过热、起火甚至爆炸。
4. 如果电解液进入您的眼睛，用清水将其冲洗干净并立即就医。否则可能会导致视力受损。
5. 请勿使电池组短路：
 - (1) 请勿使任何导电材料碰触到端子。
 - (2) 避免将电池组与其他金属物品如钉子、硬币等放置在同一容器内。
 - (3) 请勿将电池组置于水中或使其淋雨。电池短路将产生大的电流，导致过热，并可能导致起火甚至击穿。
6. 请勿在温度可能达到或超过50°C（122°F）的场所存放以及使用工具和电池组。
7. 即使电池组已经严重损坏或完全磨损，也请勿焚烧电池组。电池组会在火中爆炸。
8. 请勿对电池组射钉，或者切削、挤压、抛掷、掉落电池组，又或者用硬物撞击电池组。否则可能引起火灾、过热或爆炸。
9. 请勿使用损坏的电池。

请保留此说明书。

小心： 请仅使用Makita（牧田）原装电池。使用非Makita（牧田）原装电池或经过改装的电池可能会导致电池爆炸，从而造成火灾、人身伤害或物品受损。同时也会导致牧田工具和充电器的牧田保修服务失效。

保持电池最大使用寿命的提示

1. 在电池组电量完全耗尽前及时充电。发现工具电量低时，请停止工具操作，并给电池组充电。
2. 请勿对已充满电的电池组重新充电。过度充电将缩短电池的使用寿命。
3. 请在10°C - 40°C（50°F - 104°F）的室温条件下给电池组充电。请在灼热的电池组冷却后再充电。

- 不使用电池组时，请将其从工具或充电器上拆除。
- 如果电池组长时间（超过六个月）未使用，请给其充电。

部件说明

► 图片1

| | | | | | | | |
|---|-------------------------|---|----------------------------------|---|----------------------------------|---|-------------|
| 1 | 风扇单元 | 2 | 电源线 | 3 | CXT电池组的电池座* | 4 | LXT电池组的电池座* |
| 5 | 电池BL1055B* (规格因国家而异) | 6 | CXT电池组* (10.8 V - 12 V 最大) | 7 | LXT电池组* (14.4 V / 18 V 最大) | - | - |

*选购附件

► 图片2

| | | | | | | | |
|---|-------------|----|-------------------|---|-----|---|---------|
| 1 | 电池袋 | 2 | 反光条 | 3 | 风帽 | 4 | 肩垫 |
| 5 | 冰袋用网袋 | 6 | 口袋中的线缆孔 (在内衬下) | 7 | 线索夹 | 8 | 内衬中的线缆孔 |
| 9 | 拉链（风扇单元接入用） | 10 | 前扣 | - | - | - | - |

注：夹克/背心的特点因型号不同而异。夹克/背心的特点请参考规格章节。

安装

给电池充电

配合电池座使用的电池组

有关如何给电池充电，请参考充电器的使用说明书。

电池BL1055B

打开USB端口盖。用和电池一同提供的USB

电缆连接USB端口和电源适配器ADP07（不提供）。然后将电源适配器ADP07连接到电源。充电完成后，所有电池电量指示灯均亮起，然后在一段时间后熄灭。拔出电源适配器并断开USB电缆，然后关上护盖。

► 图片3： 1. 电源适配器ADP07 2. 电池BL1055B 3. 护盖 4. USB电缆

指示灯含义

| 指示灯 | | | 剩余电量 |
|---------|------------------------|---------|---------|
| ■ 点亮 | □ 熄灭 | ▨ 闪烁 | |
| ■ | ■ ■ ■ | | 100% |
| | □ □ □ (一段时间后指示灯熄灭。) | | |
| ■ | ■ | ▨ | 51%至99% |
| ■ | ▨ | □ | 26%至50% |
| ▨ | □ □ | □ | 0%至25% |

安装或拆卸电池组

只有在电池组与电池座一起使用时方如此

⚠️小心： 安装或拆卸电池组之前，请务必关闭设备电源。

⚠️小心： 安装或拆卸电池组时请握紧电池座和电池组。否则它们可能从您的手中滑落，导致电池座和电池组受损，甚至造成人身伤害。

► **图片4：** 1. 红色指示灯 2. 按钮 3. 电池组 4. 电池座

安装电池组时，要将电池组上的舌簧与外罩上的凹槽对齐，然后推滑到位。务必将电池组完全插入到位，直到其被锁定并发出卡嗒声为止。如果插入后仍能看到按钮上侧的红色指示灯，则说明其未完全锁紧。

拆卸电池组时，按下电池组前侧的按钮，同时将电池组从电池座中滑出。

⚠️小心： 务必完全装入电池组，直至看不见红色指示灯。否则它可能会意外从电池座中脱落，从而造成自身或他人受伤。

⚠️小心： 请勿强行安装电池组。如果电池组难以插入，可能是插入方法不当。

安装电池座

只有在电池组与电池座一起使用时方如此

您可以将电池座悬挂在腰带上。

为避免电池座意外掉落，使用带孔系一根绑带，然后对其进行固定。

► **图片5：** 1. 带孔

电池座具有防掉落功能。将电池座从腰带取下时，请在按下解锁按钮的同时拉动电池座。

► **图片6：** 1. 解锁按钮

安装或拆卸风扇装置

1. 拉开夹克内的拉链（如夹克/背心没有内衬，忽略此步骤）

► **图片7：** 1. 拉链

2. 逆时针旋转环扣并从风扇单元上取下。

► **图片8：** 1. 风扇装置 2. 挡圈

3. 从夹克/背心的外部，将风扇单元的头部落入夹克/背心的孔内。

► **图片9：** 1. 风扇装置 2. 孔

4. 从夹克/背心的内部放置风扇单元，令其最接近夹克/背心上的绑带。

（此步骤中不得将按扣紧固在绑带上）。

► **图片10：** 1. 绑带 2. 卷环

5. 从夹克/背心的内部将环扣置于风扇单元上并顺时针旋转，直至三角形标记与“II”标记对齐。

► **图片11：** 1. 环扣 2. 风扇单元 3. “II”标记 4. 三角形标记 5. “I”标记

注： 当旋转环扣时，注意不要移动风扇单元的位置。将卷环的位置保持在风扇单元上最接近绑带的位置。

注： 将环扣与风扇单元平行放置。若非如此，则无法顺利旋转环扣。

注： 当使用过滤器套件（选购附件）时，旋转环扣至三角形标记与“I”标记对齐。（环扣无法被旋转至“II”标记）

6. 将绑带穿过风扇装置的吊环，然后扣紧子母扣。

► **图片12：** 1. 绑带 2. 按扣

⚠️小心： 始终使用绑带和按扣将风扇单元固定到夹克/背心上。如风扇单元掉落，可能会造成人身伤害或风扇单元损坏。

7. 以相同方式将另一个风扇单元连接到夹克/背心上。

8. 连接电源线至风扇单元。

► **图片13：** 1. 电源线 2. 线索夹 3. 拉链

注： 无内衬的夹克/背心不提供拉链。

注意： 务必将电源线连接至两个风扇单元。若只将电源线连接至其中一个风扇单元，则此风扇将不运转。

9. 根据使用风扇夹克/背心时的电池存放方式，遵循以下说明操作：

将电池存放在电池袋或腰带中时

如图所示，将电源线末端穿过夹克/背心内衬上的孔（如夹克/背心没有内衬，忽略此步骤）。使用线索夹固定电线。

► **图片14：** 1. 内衬中的孔 2. 电源线

将电池存放在夹克/背心的口袋中时

（仅限设计了可直接连接至口袋小孔的夹克/背心）

如图所示，从夹克/背心内部，将电源线末端穿过夹克/背心口袋内的孔。

► **图片15：** 1. 口袋内的孔 2. 电源线

10. 将电源线连接至电池座/电池BL1055B。

► 图片16: 1. 电池座 2. 电池BL1055B

11. 扣合拉链。

(如夹克/背心没有内衬, 忽略此步骤)

小心: 使用风扇夹克/背心时, 将电池安全存放于口袋内或挂在腰带上, 防止掉落。

按照与安装时相反的步骤拆卸。

安装过滤器装置

选购附件

过滤器装置可以保护风扇装置免受灰尘与粉末的影响。我们建议您在有灰尘或粉末的工作场合使用过滤器装置。

将过滤器附件安装在风扇单元和环扣之间。顺时针旋转环扣, 直至三角形标记与“1”标记对齐。随后将过滤器连接至过滤器附件。

► 图片17: 1. 挡圈 2. 夹克/背心内的孔
3. 过滤器附件 4. 风扇装置
5. 过滤器 6. “1”标记 7. 三角形标记

注意: 确保过滤器完全覆盖住过滤器附件。为了更好地防尘和防粉末, 将过滤器的外罩塞进夹克/背心和过滤器附件之间。

功能描述

注意: 当进入的空气温度低于体表温度时, 风扇夹克/背心有效。如果空气温度和/或湿度高于夹克/背心内时, 风扇夹克/背心可能无效。

电量指示灯

当前电量由电量指示灯显示。

电池座

► 图片18: 1. 电量指示灯

电池BL1055B

► 图片19: 1. 电量指示灯

注意: 对于电池BL1055B, 如果电池和风扇单元之间连接异常, 1号和4号指示灯将交替闪烁。

显示电池的剩余电量

注: 在不同的使用条件及环境温度下, 指示灯所示电量可能与实际情况略有不同。

只有在电池组(含指示灯)与电池座一起使用时方如此

按电池组上的CHECK(查看)按钮可显示电池剩余电量。指示灯将亮起数秒。

► 图片20: 1. 指示灯
2. CHECK(查看)按钮

指示灯含义

| 指示灯 | | | 剩余电量 |
|---------|------|------|-----------------------|
| ■ 点亮 | □ 熄灭 | ▩ 闪烁 | |
| ■ ■ ■ ■ | | | 75%至100% |
| ■ ■ ■ □ | | | 51%至75% |
| ■ ■ □ □ | | | 25%至50% |
| ■ □ □ □ | | | 小于25% |
| ▩ □ □ □ | | | 给电池充电。 (仅适用于LXT电池) |
| ■ ■ □ □ | | | 电池可能出现故障。 |
| □ □ ■ ■ | | | |

注: 仅适用于LXT电池:

当电池保护系统启动时, 第一个(最左侧)指示灯将闪烁。

电池BL1055B

在电池BL1055B被拔出的同时, 按下电源键。电池电量指示灯将亮起数秒。

► 图片21: 1. 电池电量指示灯

指示灯含义

| 指示灯 | | | 剩余电量 |
|---------|---------|---------|----------|
| ■ 点亮 | □ 熄灭 | ▧ 闪烁 | |
| ■ ■ ■ | | | 51%至100% |
| ■ ■ □ | | | 26%至50% |
| ■ □ □ | | | 11%至25% |
| ▧ □ □ | | | 小于11% |
| ▧ □ ▧ | | | 电池异常 |

电池保护系统

本设备配备有电池保护系统。该系统可自动切断电机电源以延长电池寿命。如果剩余电池电量过低，则设备不运行。如果启动设备，电机将再次运行，但将很快停止。这种情况下，请取下电池组并予以充电。

气流

夹克内的气流如下所示。

► 图片22

如果夹克带有头罩，请在头盔外佩戴头罩。空气从风扇进入头盔，然后对头部进行冷却。

► 图片23

电池袋

注：某些夹克/背心没有电池袋。夹克/背心的特点请参考规格章节。

使用夹克/背心内的电池袋存放电池或电池座（含电池）。

► 图片24

⚠小心：当电池存放于电池袋内时，务必扣紧按扣。

网袋

注：某些夹克/背心没有网袋。夹克/背心的特点请参考规格章节。

使用夹克/背心背面的网袋存放冰袋。

► 图片25: 1. 网袋

前扣

注：某些夹克/背心没有前扣。夹克/背心的特点请参考规格章节。

根据您的体型调整带长。如果带子下垂，请根据图示将其穿过带环。

► 图片26: 1. 带子 2. 带环

连结USB设备

⚠小心：仅连结与USB电源端口兼容的设备。否则，将会导致电池座故障。

注意：连接USB设备前，请务必先在USB设备上备份数据。若非如此，可能导致数据丢失。

注意：电池座和电池BL1055B可能不会给某些USB设备供电。

注意：不使用时或充电后，取下USB电缆并盖好护盖。

注：实际输出电流因连接的USB设备不同而变化。

注：开启电源按钮后会消耗电池电量。因此不使用时，务必关闭开关。

注：连续给多个USB设备充电时，在前一设备充电完成后等待约10秒后再开始给下一设备充电。

电池座（含电池）和电池BL1055B可用作USB设备的外部电源。

1. 打开护盖并将USB电缆（不提供）连接至USB端口。然后将电缆的另一端连接至设备。

2. 开始充电：

— 当使用电池座（含电池）时，按住电源按钮直到电池电量指示灯亮起。电池供电DC 5 V, 2.4 A。

电池座（含电池）

► 图片27: 1. 护盖 2. USB端口

— 当使用电池BL1055B时，按下电源按钮。电池供电DC 5 V, 1.5 A。

电池BL1055B

► 图片28: 1. 电源按钮 2. USB端口

操作

要打开风扇时，请按住电源按钮。风扇以第4档最大功率启动。每次按下电源按钮时，功率水平都会从4到1依次变化，然后再回到4。电量指示灯显示当前设置。要关闭时，请再按住电源按钮。

电池座

► **图片29:** 1. 电量指示灯 2. 电源按钮

电池BL1055B

► **图片30:** 1. 电量指示灯 2. 电源按钮

保养

⚠小心： 检查或保养之前，请务必关闭夹克并取出电池组或电池BL1055B。

⚠小心： 如发现电池组充满电后夹克/背心无法正常打开或出现故障，请清洁电池座和电池组的端子。若夹克仍无法正常工作，请停止使用夹克/背心并联系我们的授权维修中心。

注意： 切勿使用汽油、苯、稀释剂、酒精或类似物品清洁工具。否则可能会导致工具变色、变形或出现裂缝。

为了保证产品的安全与可靠性，维修、任何其他维修保养或调节需由Makita（牧田）授权的或工厂维修服务中心完成。务必使用Makita（牧田）的替换部件。

清洁风扇单元

用洁净干布擦去脏污、灰尘、油渍、油脂等。如需清洁风扇叶片，请取下环扣并用一字螺丝刀或相似工具从护盖上卸下外罩。外罩上有三个挂钩。慢慢旋转着从挂钩上取下以免弄坏挂钩。

► **图片31:** 1. 一字螺丝刀 2. 外罩 3. 护盖 4. 孔 5. 风扇叶片 6. 挂钩

注意： 不得将风扇叶片从外罩上取下。

注意： 不得用水清洗风扇单元。

清洁风扇叶片后，确保安装好护盖。如图所示将护盖放在外罩上（请注意护盖上标志和外罩上卷环的方向）。将挂钩和孔对齐并扣上。

► **图片32:** 1. 护盖上的标志 2. 外罩上的卷环

清洁外套/背心

- 清洗前，从夹克/背心上拆下风扇单元和电池或电池座。
- 遵循标签上的指示说明。
- 洗涤时，棉织物可能会缩水。
- 不得将夹克/背心与其他衣物混洗。否则会导致脱色或着色。
- 如果使用洗衣机，则需配合洗衣网使用。
- 请勿使用织物柔软剂。
- 仅使用中性洗涤剂。
- 清洗后，立即从洗衣机中取出夹克/背心。
- 清洗前，请务必扣合拉链。

对于配有反光条的夹克

- 清洗后，反光条的性能可能会下降。
- 使用轻柔模式机洗（清洗次数最多为5次。）
- 清洗次数并非决定夹克使用寿命的唯一因素。
- 夹克的使用寿命受使用方法、护理方法和存放状态的影响。
- 如果反光条或衣物劣化，请更换新的夹克。

注： 夹克/背心的特点因型号不同而异。夹克/背心的特点请参考规格章节。

选购附件

⚠小心： 这些附件或装置专用于本说明书所列的Makita（牧田）工具。如使用其他厂牌附件或装置，可能导致人身伤害。仅可将附件或装置用于规定目的。

如您需要了解更多关于这些选购附件的信息，请咨询当地的Makita（牧田）维修服务中心。

- 过滤器装置
- 电池BL1055B
- 电池座
- 风扇夹克/背心的适配器电缆
- 发热保暖夹克/背心/电热毯的适配器电缆
- Makita（牧田）原装电池和充电器

注： 本列表中的一些部件可能作为标准配件包含于工具包装内。它们可能因销往国家之不同而异。

SPEKIFIKASI

Spesifikasi jaket/rompi

| Tipe | | Jaket | | | | | | Rompi | | |
|-------|--|----------------|---------|---------|---------|------------|----------------|---------|---------|--|
| Model | | DFJ212A | DFJ213A | DFJ214A | DFJ216A | DFJ312A | DFJ416A | DFV210A | DFV214A | |
| Bahan | Luar | Poliester 100% | | | | Katun 100% | Poliester 100% | | | |
| | Garis | Poliester 100% | | | - | Katun 100% | Poliester 100% | | | |
| | Saku | Poliester 100% | | | | Katun 100% | Poliester 100% | | | |
| | Bantalan bahu | - | | | | | Nilon 100% | - | | |
| Fitur | Saku baterai | ✓ | ✓ | ✓ | ✓ | ✓ | ✓ | ✓ | - | |
| | Lubang untuk akses langsung ke saku (di bawah garis) | - | - | - | - | - | - | - | ✓ | |
| | Saku jala untuk kantong es | - | - | - | ✓ | - | - | - | - | |
| | Tudung | ✓ | - | - | - | - | - | - | - | |
| | Bantalan bahu | - | - | - | - | - | ✓ | - | - | |
| | Lengan yang dapat dilepaskan | - | - | - | - | ✓ | ✓ | - | - | |
| | Reflektor cahaya | - | - | ✓ | - | - | - | - | - | |
| | Gesper depan | - | - | - | - | - | - | - | ✓ | |

Spesifikasi dudukan baterai (aksesori pilihan)

| Model | Dudukan baterai untuk kartrid baterai LXT | Dudukan baterai untuk kartrid baterai CXT |
|----------------------|--|---|
| Tegangan terukur | D.C. 14,4 V D.C. 18 V | D.C. 10,8 V - 12 V maks |
| Kartrid baterai | BL1415N / BL1430B / BL1440 / BL1460B BL1815N / BL1820B / BL1830B / BL1840B / BL1850B / BL1860B | BL1016 / BL1021B / BL1041B |
| Port suplai daya USB | D.C. 5 V, 2,4 A, Tipe A | |

Spesifikasi Baterai BL1055B (aksesori pilihan)

| | |
|----------------------|-------------------------|
| Tegangan terukur | D.C. 10,8 V |
| Port suplai daya USB | D.C. 5 V, 1,5 A, Tipe C |

- Karena program penelitian dan pengembangan kami terus berlangsung, spesifikasi yang disebutkan di sini dapat berubah tanpa pemberitahuan.
- Spesifikasi dan kartrid baterai mungkin berbeda antara satu negara dengan negara lainnya.
- Beberapa kartrid baterai dan pengisi daya yang tercantum di atas mungkin tidak tersedia, tergantung wilayah tempat tinggal Anda.

⚠️ PERINGATAN: Hanya gunakan kartrid baterai yang tercantum di atas. Penggunaan kartrid baterai lain dapat menimbulkan risiko cedera dan/atau kebakaran.

Waktu pengoperasian







Satuan: Jam

| Kecepatan udara | Baterai | | | |
|-----------------|---------|---------|---------|---------|
| | BL1055B | BL1041B | BL1430B | BL1860B |
| 4 | 6,5 | 4,0 | 4,5 | 10,0 |
| 3 | 10,0 | 6,5 | 7,0 | 16,0 |
| 2 | 18,5 | 12,0 | 13,5 | 29,5 |
| 1 | 40,5 | 27,5 | 31,0 | 68,0 |

- Waktu pengoperasian dalam tabel di atas merupakan pedoman secara garis besar. Waktu tersebut dapat berbeda dari waktu pengoperasian sebenarnya.
- Waktu pengoperasian dapat berbeda tergantung pada jenis baterai, status pengisian daya, dan kondisi penggunaan.

Simbol

Beberapa simbol berikut ini digunakan untuk produk. Pastikan untuk memahami arti masing-masing simbol sebelum menggunakan alat.

| | |
|--|---|
|  | Baca petunjuk penggunaan. |
|  | Pencucian dengan mesin cuci pada suhu di bawah 30°C dengan putaran lembut. |
|  | Pencucian dengan mesin cuci pada suhu di bawah 40°C dengan putaran lembut. |
|  | Pencucian dengan mesin cuci dalam mesin cuci rumah tangga atau komersial pada putaran lembut. |
|  | Jangan gunakan pemutih. |
|  | Angin-anginkan di tempat teduh. |
|  | Jangan diperas. |
|  | Setrika pada suhu rendah (tidak melebihi 110°C). |
|  | Setrika pada suhu sedang (tidak melebihi 150°C). |
|  | Jangan disetrika. |
|  | Jangan dicuci kering. |
|  | Jangan lakukan giling kering. |



Hanya untuk negara-negara UE
Akibat adanya komponen berbahaya dalam peralatan, limbah peralatan listrik dan elektronik, aki dan baterai dapat memiliki dampak negatif pada lingkungan dan kesehatan manusia.
Jangan buang peralatan listrik dan elektronik atau baterai bersama limbah rumah tangga!
Sesuai dengan Petunjuk Eropa tentang limbah peralatan listrik dan elektronik dan tentang aki dan baterai serta limbah aki dan baterai, serta penyesuaiannya terhadap undang-undang nasional, limbah peralatan listrik, baterai dan aki harus disimpang secara terpisah dan dikirim ke tempat pengumpulan terpisah untuk sampah kota, beroperasi sesuai dengan peraturan tentang perlindungan lingkungan.
Hal ini ditunjukkan dengan simbol tempat sampah bersilang yang ditempatkan pada peralatan.

Penggunaan

Jaket/rompi kipas digunakan untuk mendinginkan suhu tubuh Anda.

PERINGATAN KESELAMATAN

PERINGATAN: Bacalah semua peringatan keselamatan dan semua petunjuk. Kelalaian mematuhi peringatan dan petunjuk dapat menyebabkan sengatan listrik, kebakaran dan/atau cedera serius.

Simpanlah semua peringatan dan petunjuk untuk acuan di masa depan.

- Jangan menggunakan jaket kipas ketika suhu mencapai lebih dari 50°C (122°F). Hindari juga penggunaan di kelembapan tinggi. Jika dilakukan dapat menyebabkan luka bakar.
- Jangan memakai jaket pada kulit telanjang.

3. **Jangan menggunakan jaket saat Anda di bawah pengaruh obat-obatan, alkohol, atau dalam masa pengobatan.**
4. **Jangan tidur saat memakai jaket kipas.** Penurunan tajam suhu tubuh dapat membahayakan kesehatan Anda.
5. **Anak-anak, orang cacat, atau siapa pun yang tidak peka terhadap suhu, sebagai contoh, orang dengan sirkulasi darah yang buruk, tidak disarankan menggunakan jaket.**
6. **Peralatan ini tidak ditujukan untuk penggunaan medis di rumah sakit.**
7. **Jangan menggunakan jaket untuk tujuan yang tidak sesuai kegunaannya.**
8. **Apabila Anda merasakan sesuatu yang janggal, matikan jaket dan segera lepaskan dudukan baterai.**
9. **Apabila ditemukan kelainan, hubungi pusat servis terdekat Anda untuk perbaikan.**
10. **Jangan menginjak, membuang atau menggunakan jaket kipas dengan tidak semestinya.**
11. **Jangan masukkan jari Anda atau benda asing ke dalam unit kipas.**
12. **Jangan meniupkan udara terkompresi ke arah kipas. Jangan memasukkan tongkat kecil ke dalam unit kipas.** Jika dilakukan dapat mengakibatkan kerusakan kipas dan motor.
13. **Jangan menyalakan jaket kipas jika tidak sedang Anda kenakan.**
14. **Jangan menggunakan jaket kipas di tempat yang rawan terdapat api atau percikan api.** Unit kipas dapat terbakar atau terpapar percikan dan menyebabkan kebakaran atau luka bakar.
15. **Pilih kecepatan kipas yang memadai sesuai dengan lingkungan penggunaan untuk penggunaan dalam jangka panjang.**
16. **Jangan mengenakan pakaian rangkap apa pun dengan jaket kipas sebagai dalaman.**
17. **Jaga pelat nama tetap berada pada unit kipas. Apabila tidak terbaca atau hilang, hubungi pusat servis terdekat Anda untuk perbaikan.**
18. **Sebelum mencuci, bongkar unit kipas dan dudukan baterai, lepaskan kartrid baterai. Cucil bagian jaket saja.**
19. **Jangan meninggalkan jaket kipas di tempat dengan panas tinggi seperti pada mobil di bawah sinar matahari langsung.** Hal ini dapat menyebabkan bagian plastik meleleh dan rusak.
20. **Untuk penyimpanan dalam waktu lama, lepas dudukan baterai dan kartrid baterai, serta lepas kartrid baterai dari dudukan baterai.**
21. **Saat menyimpan, hindarkan jaket kipas, unit kipas, dudukan baterai dan kartrid baterai dari jangkauan anak kecil.**
22. **Jangan menggunakan jaket kipas saat melakukan operasi pengelasan atau pengoperasian menggunakan penggiling.** Percikan api yang memasuki unit kipas dapat menyebabkan kebakaran.
23. **Jaga jarak antara rambut dan pakaian Anda dari unit kipas.** Bagian-bagian tersebut dapat tersangkut pada komponen unit kipas yang bergerak.

Keamanan kelistrikan

1. **Pastikan jaket tidak keuhujan atau basah. Pastikan air tidak mengenai bagian yang dialiri listrik.** Air yang masuk ke dalam jaket dapat meningkatkan risiko sengatan listrik.
2. **Jangan menyentuh kabel dan baterai dengan tangan basah atau berminyak.**
3. **Jangan menggunakan jaket kipas saat kabel atau stopkontak rusak.**
4. **Jangan menggunakan kabel dengan tidak semestinya. Jangan menggunakan kabel untuk membawa, menarik, atau mencabut jaket dari stopkontak. Jauhkan kabel dari panas, minyak, dan tepian tajam.**
5. **Jangan biarkan ada kabel yang tidak terhubung ketika sedang dialiri daya baterai.** Anak kecil dapat memasukkan stopkontak yang dialiri listrik ke dalam mulut sehingga menyebabkan cedera.
6. **Jangan menggunakan kabel lain kecuali yang telah disediakan bersama dengan unit kipas.**
7. **Jangan memasukkan paku, kabel atau benda lain ke dalam port suplai daya USB.** Tindakan ini dapat mengakibatkan arus pendek yang dapat berujung kepada timbulnya asap atau kebakaran.
8. **Jangan menghubungkan sumber daya ke port USB. Port USB hanya dimaksudkan untuk mengisi daya perangkat bertegangan rendah.** Selalu tutupi port USB saat tidak digunakan untuk mengisi daya perangkat bertegangan rendah. Jika hal ini diabaikan akan menyebabkan risiko kebakaran.
9. **Cegah penyalaan yang tidak disengaja. Pastikan bahwa sakelar berada dalam posisi mati sebelum menyambungkan ke kartrid baterai, mengangkat atau membawa peralatan.** Membawa peralatan dengan jari berada di sakelar atau mengalirkan listrik pada peralatan dengan sakelar hidup akan meningkatkan potensi kecelakaan.
10. **Putuskan sambungan kartrid baterai dari peralatan atau tempatkan sakelar di posisi terkunci atau mati sebelum melakukan penyesuaian apa pun, mengubah aksesori, atau menyimpan peralatan.** Langkah keselamatan preventif tersebut mengurangi risiko hidupnya peralatan secara tidak sengaja.
11. **Isi ulang baterai hanya dengan pengisi daya yang ditentukan oleh pabrikan. Pengisi daya yang cocok untuk satu jenis paket baterai dapat menimbulkan risiko kebakaran jika digunakan untuk paket baterai yang berbeda.**
12. **Hanya gunakan baterai yang ditentukan secara khusus. Penggunaan baterai yang berbeda dapat menimbulkan risiko cedera dan kebakaran.**
13. **Ketika paket baterai tidak digunakan, jauhkan dari benda logam lain, seperti penjepit kertas, uang logam, kunci, paku, sekrup atau benda logam kecil lainnya, yang dapat menghubungkan satu terminal ke terminal lain.** Hubungan singkat terminal baterai dapat menyebabkan luka bakar atau kebakaran.

14. **Pemakaian yang salah, dapat menyebabkan keluarnya cairan dari baterai; hindari kontak. Jika terjadi kontak secara tidak sengaja, bilas dengan air. Jika cairan mengenai mata, cari bantuan medis.** Cairan yang keluar dari baterai bisa menyebabkan iritasi atau luka bakar.
15. **Jangan menggunakan paket baterai atau unit kipas yang sudah rusak atau telah diubah.** Baterai yang rusak atau telah diubah dapat menyebabkan hal-hal yang tidak dapat diprediksi yang dapat menyebabkan kebakaran, ledakan atau risiko cedera.
16. **Jangan membiarkan paket baterai atau unit kipas dekat dengan api atau suhu yang berlebihan.** Paparan api atau suhu di atas 130 °C dapat menyebabkan ledakan.
17. **Ikuti semua petunjuk pengisian daya dan jangan mengisi daya paket baterai atau unit kipas di luar rentang suhu yang ditentukan di panduan.** Mengisi daya secara tidak tepat atau pada suhu di luar rentang yang ditentukan dapat merusak baterai dan meningkatkan risiko kebakaran.
18. **Perbaikan hanya boleh dilakukan oleh teknisi yang berkualifikasi dan hanya menggunakan suku cadang pengganti yang serupa.** Hal ini akan menjamin terjaminnya keamanan produk.
19. **Jangan memodifikasi atau mencoba memperbaiki peralatan atau paket baterai selain seperti yang ditunjukkan dalam petunjuk penggunaan dan perawatan.**
6. **Jangan menyimpan dan menggunakan mesin dan kartrid baterai pada lokasi dengan suhu yang bisa mencapai atau melebihi 50 °C (122 °F).**
7. **Jangan membuang kartrid baterai di tempat pembakaran sampah walaupun benar-benar rusak atau tidak bisa digunakan sama sekali.** Kartrid baterai bisa meledak jika terbakar.
8. **Jangan memaku, memotong, menghancurkan, melempar, menjatuhkan kartrid baterai, atau memukulkan benda keras ke kartrid baterai.** Tindakan tersebut dapat menimbulkan api, panas berlebih, atau ledakan.
9. **Jangan menggunakan baterai yang rusak.**
10. **Baterai litium-ion yang disertakan sesuai dengan persyaratan Perundangan Makanan Berbahaya.**
Harus ada pengawasan untuk pengangkutan komersial misalnya oleh pihak ketiga, ekspeditor, persyaratan khusus terhadap pengemasan dan pelabelan.
Diperlukan adanya konsultasi dengan ahli mengenai material berbahaya untuk persiapan barang yang akan dikirimkan. Perhatikan pula peraturan nasional yang lebih terperinci yang mungkin ada.
Beri perekat atau tutupi bagian yang terbuka dan kemasi baterai dengan cara yang tidak akan menimbulkan pergeseran dalam pengemasan.
11. **Ketika membuang kartrid baterai, lepaskan dari mesin dan buang ke tempat yang aman.** Patuhi peraturan setempat yang berkaitan dengan pembuangan baterai.
12. **Gunakan baterai hanya dengan produk yang ditentukan oleh Makita.** Memasang baterai pada produk yang tidak sesuai dapat menyebabkan kebakaran, kelebihan panas, ledakan, atau kebocoran elektrolit.
13. **Jika mesin tidak digunakan dalam jangka waktu yang lama, baterai harus dilepas dari mesin.**
14. **Selama dan setelah digunakan, kartrid baterai mungkin menyimpan panas yang dapat menyebabkan luka bakar atau luka bakar suhu rendah.** Perhatikan cara memegang kartrid baterai yang masih panas.
15. **Jangan langsung menyentuh terminal mesin setelah digunakan karena suhunya mungkin cukup panas untuk menyebabkan luka bakar.**
16. **Jangan biarkan serpihan, debu, atau tanah menempel di terminal, lubang, dan alur kartrid baterai.** Hal tersebut dapat mengakibatkan kinerja buruk atau kerusakan mesin maupun kartrid baterai.
17. **Kecuali jika mesin mendukung penggunaan di dekat saluran listrik bertegangan tinggi, jangan gunakan kartrid baterai di dekat saluran listrik bertegangan tinggi.** Hal tersebut dapat mengakibatkan kegagalan fungsi atau kerusakan mesin maupun kartrid baterai.
18. **Jauhkan baterai dari jangkauan anak-anak.**

Petunjuk keselamatan penting untuk kartrid baterai

1. **Sebelum menggunakan kartrid baterai, bacalah semua petunjuk dan penandaan pada (1) pengisi daya baterai, (2) baterai, dan (3) produk yang menggunakan baterai.**
2. **Jangan membongkar atau memodifikasi kartrid baterai.** Tindakan tersebut dapat menimbulkan api, panas berlebih, atau ledakan.
3. **Jika waktu beroperasinya menjadi sangat singkat, segera hentikan penggunaan.** Hal tersebut dapat menimbulkan risiko panas berlebih, kemungkinan mengalami luka bakar atau bahkan terjadi ledakan.
4. **Jika elektrolit mengenai mata Anda, basuh dengan air bersih dan segera cari pertolongan medis.** Hal tersebut dapat mengakibatkan hilangnya kemampuan penglihatan Anda.
5. **Jangan menghubungkan terminal kartrid baterai:**
 - (1) **Jangan menyentuh terminal dengan bahan penghantar listrik apa pun.**
 - (2) **Hindari menyimpan kartrid baterai pada wadah yang berisi benda logam lain seperti paku, uang logam, dsb.**
 - (3) **Jangan membiarkan baterai terkena air atau kehujanan.**

Hubungan singkat baterai dapat menyebabkan aliran arus listrik yang besar, panas berlebih, kemungkinan mengalami luka bakar dan bahkan kerusakan pada baterai.

SIMPAN PETUNJUK INI.

PERHATIAN: Gunakan baterai asli Makita. Penggunaan baterai Makita yang tidak asli, atau baterai yang sudah diubah, akan mengakibatkan baterai mudah terbakar, cedera dan kerusakan. Akan menghilangkan garansi Makita pada pengisi daya dan alat Makita.

Tip untuk menjaga agar umur pemakaian baterai maksimum

1. Isi ulang kartrid baterai sebelum habis sama sekali. Selalu hentikan penggunaan mesin dan ganti kartrid baterai jika Anda melihat bahwa mesin kurang tenaga.

2. Jangan pernah mengisi ulang kartrid baterai yang sudah diisi penuh. Pengisian ulang yang berlebih memperpendek umur pemakaian baterai.
3. Isi ulang kartrid baterai pada suhu ruangan 10 °C - 40 °C. Biarkan kartrid baterai yang panas menjadi dingin terlebih dahulu sebelum diisi ulang.
4. Saat kartrid baterai tidak digunakan, lepaskan dari mesin atau pengisi daya.
5. Isi ulang daya kartrid baterai jika Anda tidak menggunakannya untuk jangka waktu yang lama (lebih dari enam bulan).

DESKRIPSI BAGIAN-BAGIAN MESIN

► Gbr.1

| | | | | | | | |
|---|-------------------------------------|---|--|---|---|---|---|
| 1 | Unit kipas | 2 | Kabel daya | 3 | Dudukan baterai untuk kartrid baterai CXT * | 4 | Dudukan baterai untuk kartrid baterai LXT * |
| 5 | Baterai BL1055B * (Negara tertentu) | 6 | Kartrid baterai CXT * (10,8 V - 12 V maks) | 7 | Kartrid baterai LXT * (14,4 V / 18 V maks) | - | - |

* Aksesori pilihan

► Gbr.2

| | | | | | | | |
|---|--|----|--|---|-------------|---|-----------------------|
| 1 | Saku baterai | 2 | Reflektor cahaya | 3 | Tudung | 4 | Bantalan bahu |
| 5 | Saku jala untuk kantong es | 6 | Lubang kabel dalam saku (di bawah garis) | 7 | Wadah kabel | 8 | Lubang kabel di garis |
| 9 | Pengencang ritsleting (untuk akses unit kipas) | 10 | Gesper depan | - | - | - | - |

CATATAN: Fitur jaket/rompi bervariasi bergantung pada modelnya. Baca bagian untuk spesifikasi untuk fitur jaket/rompi Anda.

PEMASANGAN

Mengisi daya baterai

Kartrid baterai yang digunakan dengan dudukan baterai

Baca petunjuk penggunaan pengisi daya untuk mengetahui cara mengisi daya baterai.

Baterai BL1055B

Buka penutup pada port USB. Sambungkan port USB dan Adaptor Daya AC ADP07 (tidak termasuk) menggunakan kabel USB yang disediakan dengan baterai. Setelah itu, colokkan Adaptor Daya AC ADP07 ke saluran listrik. Saat pengisian daya selesai, semua indikator kapasitas baterai akan menyala dan kemudian mati setelah periode waktu tertentu. Cabut Adaptor Daya AC dan lepaskan kabel USB, dan kemudian tutup penutupnya.

- **Gbr.3:** 1. Adaptor Daya AC ADP07 2. Baterai BL1055B 3. Penutup 4. Kabel USB

Arti lampu indikator

| Lampu indikator | | | Kapasitas yang tersisa |
|---|------|----------|------------------------|
| Menyala | Mati | Berkedip | |
| | | | 100% |
| ↓ (Lampu mati setelah periode waktu tertentu.) | | | |
| | | | 51% hingga 99% |
| | | | 26% hingga 50% |
| | | | 0% hingga 25% |

Memasang atau melepas kartrid baterai

Hanya saat menggunakan kartrid baterai yang digunakan dengan dudukan baterai

PERHATIAN: Selalu matikan perangkat sebelum memasang atau melepas kartrid baterai.

PERHATIAN: Pegang dudukan baterai dan kartrid baterai kuat-kuat saat memasang atau melepas kartrid baterai. Kelalaian dalam memegang dudukan baterai dan kartrid baterai dengan erat bisa menyebabkan keduanya tergelincir dari tangan Anda dan mengakibatkan kerusakan pada dudukan baterai dan kartrid baterai dan cedera diri.

- **Gbr.4:** 1. Indikator berwarna merah 2. Tombol 3. Kartrid baterai 4. Dudukan baterai

Untuk memasang kartrid baterai, sejajarkan lidah kartrid baterai dengan alur pada rumah dan masukkan ke dalam tempatnya. Masukkan kartrid baterai seluruhnya sampai terkunci pada tempatnya dan terdengar bunyi klik kecil. Jika Anda bisa melihat indikator berwarna merah pada sisi atas tombol, berarti tidak terkunci sepenuhnya.

Untuk melepas kartrid baterai, geser dari dudukan baterai sambil menekan tombol pada bagian depan kartrid.

PERHATIAN: Selalu pasang kartrid baterai sepenuhnya sampai indikator berwarna merah tidak terlihat. Karena bila tidak, kartrid baterai bisa terlepas dari dudukan baterai secara tidak sengaja, menyebabkan luka pada Anda atau orang di sekitar Anda.

PERHATIAN: Jangan memasang kartrid baterai secara paksa. Jika kartrid baterai tidak bergeser dengan mudah, berarti tidak dimasukkan dengan benar.

Memasang dudukan baterai

Hanya saat menggunakan kartrid baterai yang digunakan dengan dudukan baterai

Anda dapat menggantungkan dudukan baterai pada ikat pinggang Anda.

Untuk mencegah dudukan baterai agar tidak terjatuh secara tidak sengaja, pasang strap menggunakan lubang strap dan kengangan.

- **Gbr.5:** 1. Lubang strap

Dudukan baterai memiliki fungsi anti terjatuh. Saat melepas dudukan baterai dari ikat pinggang, tarik dudukan baterai sambil menekan tombol buka kunci.

- **Gbr.6:** 1. Tombol buka kunci

Memasang atau melepas unit kipas

1. Buka pengencang ritsleting di dalam jaket. (Lewati langkah ini jika jaket/rompi Anda tidak memiliki garis)

- **Gbr.7:** 1. Pengencang ritsleting

2. Putar cincin berlawanan arah jarum jam dan lepaskan dari unit kipas.

- **Gbr.8:** 1. Unit kipas 2. Cincin

3. Dari bagian luar jaket/rompi, masukkan kepala unit kipas ke dalam lubang di jaket/rompi.

- **Gbr.9:** 1. Unit kipas 2. Lubang

4. Dari bagian dalam jaket/rompi, letakkan unit kipas sehingga loop pada unit kipas paling dekat dengan strip pada jaket/rompi.

(Jangan kengangkan kancing klip pada strip pada langkah ini.)

- **Gbr.10:** 1. Strip 2. Loop

5. Dari bagian dalam jaket/rompi, tempatkan cincin ke unit kipas dan putar searah jarum jam sampai tanda segitiga sejajar dengan tanda " II ".

- **Gbr.11:** 1. Cincin 2. Unit kipas 3. Tanda " II " 4. Tanda segitiga 5. Tanda " I "

CATATAN: Saat memutar cincin, berhati-hatilah agar tidak memindahkan posisi unit kipas. Pertahankan posisi loop pada unit kipas yang paling dekat dengan strip.

CATATAN: Letakkan cincin sejajar dengan unit kipas. Jika tidak, Anda mungkin tidak dapat memutar cincin dengan mulus.

CATATAN: Saat Anda menggunakan set filter (aksesori pilihan), putar cincin hingga tanda segitiga sejajar dengan tanda " I ". (cincin tidak dapat diputar ke tanda " II ")

6. Masukkan strip melalui loop pada unit kipas dan kengangkan kancing klip.

- **Gbr.12:** 1. Strip 2. Kancing klip

PERHATIAN: Selalu gunakan strip dan kancing klip untuk mengengangkan unit kipas pada jaket/rompi. Apabila unit kipas jatuh, dapat menyebabkan cedera, atau kerusakan pada unit kipas.

7. Pasang unit kipas yang lain pada jaket/rompi dengan cara yang sama.

8. Hubungkan kabel daya ke unit kipas.

- **Gbr.13:** 1. Kabel daya 2. Wadah kabel 3. Pengencang ritsleting

CATATAN: Pengencang ritsleting tidak disediakan dengan jaket/rompi tanpa garis.

PEMBERITAHUAN: Selalu hubungkan kabel daya ke kedua unit kipas. Kipas tidak beroperasi jika kabel daya disambungkan ke satu unit kipas saja.

9. Ikuti salah satu petunjuk di bawah ini bergantung pada cara menyimpan baterai saat menggunakan jaket/rompi kipas:

Saat menyimpan baterai dalam saku baterai atau sabuk Anda

Keluarkan ujung kabel daya melalui lubang di garis jaket/rompi sebagaimana ditunjukkan dalam gambar (lewati langkah ini jika jaket/rompi Anda tidak memiliki garis). Topang kabel menggunakan wadah kabel.

► **Gbr.14:** 1. Lubang di garis 2. Kabel daya

Saat menyimpan baterai di saku jaket/rompi

(Hanya untuk jaket/rompi dengan lubang untuk akses langsung ke saku)

Dari bagian dalam jaket/rompi, keluarkan ujung kabel daya melalui lubang di saku jaket/rompi sebagaimana ditunjukkan dalam gambar.

► **Gbr.15:** 1. Lubang di saku 2. Kabel daya

10. Sambungkan kabel daya ke dudukan baterai/ Baterai BL1055B.

► **Gbr.16:** 1. Dudukan baterai 2. Baterai BL1055B

11. Tutup pengencang ritsleting.

(Lewati langkah ini jika jaket/rompi Anda tidak memiliki garis)

PERHATIAN: Saat menggunakan jaket/rompi kipas, simpan baterai dengan aman di dalam saku atau kaitkan ke sabuk agar tidak jatuh.

Ikuti prosedur pemasangan dengan urutan terbalik saat pelepasan.

Memasang set saringan

Pilihan Aksesori

Set saringan melindungi unit kipas dari debu dan serbuk. Kami menganjurkan agar Anda menggunakan set saringan di tempat kerja yang berdebu atau berserbuk.

Pasang perangkat tambahan saringan antara unit kipas dan cincin. Putar cincin searah jarum jam hingga tanda segitiga sejajar dengan tanda "I". Setelah itu, pasang saringan ke perangkat tambahan saringan.

► **Gbr.17:** 1. Cincin 2. Lubang di jaket/rompi 3. Perangkat tambahan saringan 4. Unit kipas 5. Saringan 6. Tanda "I" 7. Tanda segitiga

PEMBERITAHUAN: Pastikan bahwa saringan menutupi perangkat tambahan saringan secara menyeluruh. Untuk perlindungan lebih baik terhadap debu dan serbuk, selipkan tepi saringan di antara jaket/rompi dan perangkat tambahan saringan.

DESKRIPSI FUNGSI

PEMBERITAHUAN: Jaket/rompi kipas efektif ketika kelembapan dan suhu udara yang masuk lebih rendah dari kelembapan dan suhu udara permukaan tubuh. Jaket/rompi kipas mungkin tidak efektif jika suhu dan/atau kelembapan udara lebih tinggi daripada suhu dan/atau kelembapan udara di dalam jaket/rompi.

Indikator level daya

Level daya saat ini ditampilkan dalam indikator level daya.

Dudukan baterai

► **Gbr.18:** 1. Indikator level daya

Baterai BL1055B

► **Gbr.19:** 1. Indikator level daya

PEMBERITAHUAN: Untuk Baterai BL1055B, lampu No.1 dan No.4 akan berkedip secara bergantian jika terdapat ketidaknormalan dalam sambungan antara baterai dan unit kipas.

Mengindikasikan kapasitas baterai yang tersisa

CATATAN: Tergantung kondisi penggunaan dan suhu lingkungannya, indikasi ini mungkin saja sedikit berbeda dari kapasitas sebenarnya.

Hanya saat menggunakan kartrid baterai (dengan indikator) yang digunakan dengan dudukan baterai Tekan tombol pemeriksaan pada kartrid baterai untuk melihat kapasitas baterai yang tersisa. Lampu indikator menyala selama beberapa detik.

► **Gbr.20:** 1. Lampu indikator 2. Tombol pemeriksaan

Arti lampu indikator

| Lampu indikator | | | Kapasitas yang tersisa |
|----------------------------|------|----------|------------------------------|
| | | | |
| Menyala | Mati | Berkedip | |
| | | | 75% hingga 100% |
| | | | 51% hingga 75% |
| | | | 25% hingga 50% |
| | | | Kurang dari 25% |
| | | | Isi ulang baterai. |
| (Khusus untuk baterai LXT) | | | |
| | | | Baterai mungkin sudah rusak. |
| (Khusus untuk baterai LXT) | | | |

CATATAN: Khusus untuk baterai LXT:

Lampu indikator pertama (ujung kiri) akan berkedip beberapa sistem perlindungan mesin bekerja.

Baterai BL1055B

Saat baterai BL1055B dicabut, tekan tombol daya. Lampu indikator kapasitas baterai menyala selama beberapa detik.

► **Gbr.21:** 1. Indikator kapasitas baterai

Arti lampu indikator

| Lampu indikator | | | Kapasitas yang tersisa |
|-----------------|------|----------|-------------------------|
| Menyala | Mati | Berkedip | |
| | | | 51% hingga 100% |
| | | | 26% hingga 50% |
| | | | 11% hingga 25% |
| | | | Kurang dari 11% |
| | | | Ketidaknormalan baterai |

Sistem perlindungan baterai

Perangkat ini dilengkapi dengan sistem perlindungan baterai. Sistem ini memutus daya ke motor secara otomatis untuk memperpanjang umur pemakaian baterai.

Apabila kapasitas baterai yang tersisa terlalu rendah, perangkat tidak akan beroperasi. Saat Anda menyalakan perangkat, motor akan menyala lagi tetapi segera berhenti. Dalam situasi ini, lepas dan isi ulang kartrid baterai.

Aliran udara

Aliran udara di dalam jaket ditunjukkan di bawah.

► **Gbr.22**

Untuk jaket dengan tudung, gunakan tudung di luar helm. Air dari kipas mengalir melalui helm dan mendinginkan kepala Anda.

► **Gbr.23**

Saku baterai

CATATAN: Beberapa jaket/rompi tidak memiliki saku baterai. Baca bagian untuk spesifikasi untuk fitur jaket/rompi Anda.

Gunakan saku baterai untuk menyimpan baterai atau dudukan (dengan baterai) di dalam jaket/rompi.

► **Gbr.24**

PERHATIAN: Selalu kencangkan kancing klip saat baterai disimpan di saku.

Saku jala

CATATAN: Beberapa jaket/rompi tidak memiliki saku jala. Baca bagian untuk spesifikasi untuk fitur jaket/rompi Anda.

Gunakan saku jala pada punggung jaket/rompi untuk menyimpan kantong es.

► **Gbr.25:** 1. Saku jala

Gesper depan

CATATAN: Beberapa jaket/rompi tidak memiliki gesper depan. Baca bagian untuk spesifikasi untuk fitur jaket/rompi Anda.

Sesuaikan panjang sabuk sesuai dengan ukuran Anda. Jika sabuk terkulai ke bawah, lewatkan melalui loop sabuk sebagaimana ditunjukkan dalam gambar.

► **Gbr.26:** 1. Sabuk 2. Loop sabuk

Menghubungkan perangkat USB

PERHATIAN: Hanya hubungkan perangkat yang kompatibel dengan port suplai daya USB. Jika tidak dilakukan dapat menyebabkan kerusakan fungsi pada dudukan baterai.

PEMBERITAHUAN: Sebelum menghubungkan perangkat USB, selalu cadangkan data pada perangkat USB. Jika tidak dilakukan dapat menyebabkan kehilangan data Anda.

PEMBERITAHUAN: Dudukan baterai dan Baterai BL1055B mungkin tidak memberikan suplai daya untuk beberapa perangkat USB.

PEMBERITAHUAN: Saat tidak digunakan setelah pengisian daya, lepaskan kabel USB dan tutup penutupnya.

CATATAN: Arus keluaran sebenarnya bervariasi bergantung pada perangkat USB yang akan dihubungkan.

CATATAN: Daya baterai terkonsumsi saat tombol daya dinyalakan. Selalu matikan sakelar saat tidak digunakan.

CATATAN: Saat mengisi daya beberapa perangkat USB secara berurutan, tunggu sekitar 10 detik setelah pengisian daya perangkat sebelumnya selesai sebelum memulai mengisi daya perangkat berikutnya.

Dudukan baterai (dengan baterai) dan Baterai BL1055B dapat berfungsi sebagai suplai daya eksternal untuk perangkat USB.

1. Buka penutup dan hubungkan kabel USB (tidak termasuk) ke port USB. Kemudian hubungkan ujung lain kabel ke perangkat.

2. Mulai pengisian daya:

— Saat menggunakan dudukan baterai (dengan baterai), tekan dan tahan tombol daya hingga indikator level daya menyala. Baterai menyuplai DC 5 V, 2,4 A.

Dudukan baterai (dengan baterai)

► **Gbr.27:** 1. Penutup 2. Port USB

— Saat menggunakan Baterai BL1055B, tekan tombol daya. Baterai menyuplai DC 5 V, 1,5 A.

Baterai BL1055B

► **Gbr.28:** 1. Tombol daya 2. Port USB

PENGUNAAN

Untuk menyalakan kipas, tekan dan tahan tombol daya. Kipas mulai pada level daya maksimal 4. Setiap kali Anda menekan tombol daya, level daya berubah dari 4 menjadi 1, dan kembali ke 4. Indikator level daya menunjukkan pengaturan saat ini.

Untuk mematikan, tekan dan tahan tombol daya lagi.

Dudukan baterai

► **Gbr.29:** 1. Indikator level daya 2. Tombol daya

Baterai BL1055B

► **Gbr.30:** 1. Indikator level daya 2. Tombol daya

PERAWATAN

⚠PERHATIAN: Selalu pastikan bahwa jaket dimatikan dan kartrid baterai atau Baterai BL1055B dilepas sebelum berupaya melakukan pemeriksaan atau perawatan.

⚠PERHATIAN: Jika jaket/rompi tidak dapat menyala atau jika ditemukan gangguan apa pun pada kartrid baterai yang telah diisi ulang penuh, bersihkan terminal dudukan baterai dan kartrid baterai. Jika jaket masih tidak dapat berfungsi normal, hentikan penggunaan jaket/rompi dan hubungi pusat layanan resmi kami.

PEMBERITAHUAN: Jangan sekali-kali menggunakan bensin, tiner, alkohol, atau bahan sejenisnya. Penggunaan bahan demikian dapat menyebabkan perubahan warna, perubahan bentuk atau timbulnya retakan.

Untuk menjaga KEAMANAN dan KEANDALAN mesin, perbaikan, perawatan atau penyetelan lainnya harus dilakukan oleh Pusat Layanan Resmi atau Pabrik Makita; selalu gunakan suku cadang pengganti buatan Makita.

Membersihkan unit kipas

Bersihkan kotoran, debu, minyak, gemuk, dll., dengan kain kering yang bersih. Untuk membersihkan bilah kipas, lepaskan cincin dan lepaskan kait rumahan dari penutup menggunakan obeng berlubang atau yang serupa. Terdapat tiga kait pada rumahan. Lepaskan kait sedikit demi sedikit dengan memutarnya agar tidak merusak kaitnya.

► **Gbr.31:** 1. Obeng berlubang 2. Rumahan 3. Penutup 4. Lubang 5. Bilah kipas 6. Kait

PEMBERITAHUAN: Jangan melepas bilah kipas dari rumahan.

PEMBERITAHUAN: Jangan mencuci unit kipas dengan air.

Pastikan untuk memasang penutup setelah membersihkan bilah kipas. Tempatkan penutup ke rumahan sebagaimana ditunjukkan dalam gambar (perhatikan arah logo pada penutup dan loop pada rumahan). Sejajarkan kait dengan lubang dan kemudian pasang klipnya.

► **Gbr.32:** 1. Logo pada penutup 2. Loop pada rumahan

Membersihkan jaket/rompi

- Lepaskan unit kipas dan baterai atau dudukan baterai dari jaket/rompi sebelum pencucian.
- Ikuti instruksi pada label.
- Produk katun dapat menyusut saat dicuci.
- Jangan cuci jaket/rompi dengan pakaian lainnya. Jika dilakukan dapat menyebabkan warna memudar atau luntur.
- Gunakan jaring cuci saat menggunakan mesin cuci.
- Jangan gunakan pelembut kain.
- Hanya gunakan detergen netral.
- Setelah mencuci, segera keluarkan jaket/rompi dari mesin cuci.
- Pastikan untuk menutup pengencang resleting sebelum mencuci.

Untuk jaket dengan reflektor cahaya

- Kinerja reflektor cahaya mungkin akan berkurang dikarenakan pencucian.
- Mesin cuci dalam putaran lembut (Jumlah waktu pencucian hingga 5 kali).
- Jumlah waktu pencucian bukanlah satu-satunya faktor yang menentukan masa pakai jaket.
- Perubahan masa pakai jaket dipengaruhi oleh cara penggunaan, perawatan, dan kondisi penyimpanan.
- Jika bagian reflektor cahaya atau kain telah memburuk, ganti dengan jaket yang baru.

CATATAN: Fitur jaket/rompi bervariasi bergantung pada modelnya. Baca bagian untuk spesifikasi untuk fitur jaket/rompi Anda.

AKSESORI PILIHAN

⚠️ PERHATIAN: Dianjurkan untuk menggunakan aksesori atau perangkat tambahan ini dengan mesin Makita Anda yang ditentukan dalam petunjuk ini. Penggunaan aksesori atau perangkat tambahan lain bisa menyebabkan risiko cedera pada manusia. Hanya gunakan aksesori atau perangkat tambahan sesuai dengan peruntukkannya.

Jika Anda memerlukan bantuan lebih rinci berkenaan dengan aksesori ini, tanyakan pada Pusat Layanan Makita terdekat.

- Set saringan
- Baterai BL1055B
- Dudukan baterai
- Kabel adaptor untuk jaket/rompi kipas
- Kabel adaptor untuk jaket/rompi/selimut berpemanas
- Baterai dan pengisi daya asli buatan Makita

CATATAN: Beberapa item dalam daftar tersebut mungkin sudah termasuk dalam paket mesin sebagai aksesori standar. Hal tersebut dapat berbeda dari satu negara ke negara lainnya.

SPEKIFIKASI

Spesifikasi jaket/ves

| Jenis | | Jaket | | | | | | Ves | | |
|-------|--|----------------|---------|---------|---------|------------|----------------|---------|---------|--|
| Model | | DFJ212A | DFJ213A | DFJ214A | DFJ216A | DFJ312A | DFJ416A | DFV210A | DFV214A | |
| Bahan | Luar | Poliester 100% | | | | Kapas 100% | Poliester 100% | | | |
| | Lapik dalam | Poliester 100% | | | - | Kapas 100% | Poliester 100% | | | |
| | Poket | Poliester 100% | | | | Kapas 100% | Poliester 100% | | | |
| | Pad bahu | - | | | | | Nilon 100% | - | | |
| Ciri | Poket bateri | ✓ | ✓ | ✓ | ✓ | ✓ | ✓ | ✓ | - | |
| | Lubang untuk capaian terus kepada poket (di bawah lapik dalam) | - | - | - | - | - | - | - | ✓ | |
| | Jejaring poket untuk pek ais | - | - | - | ✓ | - | - | - | - | |
| | Tukup | ✓ | - | - | - | - | - | - | - | |
| | Pad bahu | - | - | - | - | - | ✓ | - | - | |
| | Lengan boleh tanggal | - | - | - | - | ✓ | ✓ | - | - | |
| | Pemantul cahaya | - | - | ✓ | - | - | - | - | - | |
| | Kancing depan | - | - | - | - | - | - | - | ✓ | |

Spesifikasi pemegang bateri (aksesori pilihan)

| Model | Pemegang bateri untuk kartrij bateri LXT | Pemegang bateri untuk kartrij bateri CXT |
|------------------------|--|--|
| Volan terkadar | D.C. 14.4 V D.C. 18 V | D.C. 10.8 V - 12 V maks |
| Kartrij bateri | BL1415N / BL1430B / BL1440 / BL1460B BL1815N / BL1820B / BL1830B / BL1840B / BL1850B / BL1860B | BL1016 / BL1021B / BL1041B |
| Port bekalan kuasa USB | D.C. 5 V, 2.4 A, Jenis A | |

Spesifikasi Bateri BL1055B (aksesori pilihan)

| | |
|------------------------|--------------------------|
| Volan terkadar | D.C. 10.8 V |
| Port bekalan kuasa USB | D.C. 5 V, 1.5 A, Jenis C |

- Disebabkan program penyelidikan dan pembangunan kami yang berterusan, spesifikasi yang terkandung di dalam ini adalah tertakluk kepada perubahan tanpa notis.
- Spesifikasi dan kartrij bateri mungkin berbeza mengikut negara.
- Sesetengah kartrij bateri dan pengecas yang disenaraikan di atas mungkin tidak tersedia bergantung pada kawasan kediaman anda.

AMARAN: Gunakan hanya kartrij bateri disenaraikan di atas. Penggunaan mana-mana kartrij bateri yang lain mungkin menyebabkan kecederaan dan/atau kebakaran.

Masa operasi

Unit: Jam

| Kelajuan udara | Bateri | | | |
|----------------|---------|---------|---------|---------|
| | BL1055B | BL1041B | BL1430B | BL1860B |
| 4 | 6.5 | 4.0 | 4.5 | 10.0 |
| 3 | 10.0 | 6.5 | 7.0 | 16.0 |
| 2 | 18.5 | 12.0 | 13.5 | 29.5 |
| 1 | 40.5 | 27.5 | 31.0 | 68.0 |

- Waktu operasi dalam jadual di atas ialah garis panduan kasar. Ia mungkin berbeza daripada masa operasi sebenar.
- Masa operasi mungkin berbeza bergantung kepada jenis bateri, status pengecasan, dan keadaan penggunaan.

Simbol

Beberapa simbol berikut digunakan untuk produk ini. Pastikan anda memahami maksudnya sebelum menggunakannya.

| | |
|--|--|
|  | Baca manual arahan. |
|  | Basuh menggunakan mesin basuh di bawah suhu 30°C dalam kitaran lembut. |
|  | Basuh menggunakan mesin basuh di bawah suhu 40°C dalam kitaran lembut. |
|  | Basuh menggunakan mesin domestik atau komersial dalam kitaran lembut. |
|  | Jangan guna peluntur. |
|  | Jemur di tempat teduh. |
|  | Jangan perah. |
|  | Seterika pada suhu rendah (tidak melebihi 110°C). |
|  | Seterika pada suhu rendah (tidak melebihi 150°C). |
|  | Jangan seterika. |
|  | Jangan cuci kering. |
|  | Jangan keringkan secara balik kuang. |



Hanya untuk negara-negara EU
Disebabkan kehadiran komponen berbahaya dalam peralatan, sisa peralatan elektrik dan elektronik, akumulator dan bateri boleh memberi kesan negatif terhadap persekitaran dan kesihatan manusia.

Jangan buang alat elektrik dan elektronik atau bateri bersama dengan bahan buangan isi rumah!

Mengikut Arahan Eropah mengenai sisa peralatan elektrik dan elektronik dan mengenai akumulator dan bateri dan sisa akumulator dan bateri serta penyesuaian dengan undang-undang negara, sisa peralatan elektrik, bateri dan akumulator hendaklah disimpan secara berasingan dan dihantar ke tempat pengumpulan berasingan untuk sisa perbandaran, beroperasi mengikut peraturan perlindungan persekitaran. Ini ditunjukkan oleh simbol tong sampah beroda yang bersilang pada peralatan.

Tujuan penggunaan

Jaket/ves berkipas bertujuan untuk menyejukkan suhu badan anda.

AMARAN KESELAMATAN

AMARAN: Baca semua amaran keselamatan dan semua arahan. Kegagalan mematuhi amaran dan arahan boleh menyebabkan kejutan elektrik, kebakaran dan/atau kecederaan serius.

Simpan semua amaran dan arahan untuk rujukan masa depan.

1. **Jangan gunakan jaket berkipas apabila suhu mencapai lebih daripada 50°C (122°F). Juga elakkan penggunaan dalam kelembapan tinggi.** Berbuat demikian boleh menyebabkan luka terbakar.
2. **Jangan memakai jaket jika kulit tidak beralas.**
3. **Jangan gunakan jaket semasa anda di bawah pengaruh dadah, alkohol atau ubat.**

4. **Jangan tidur semasa memakai jaket berkipas.** Penurunan suhu badan yang melampau boleh menjejaskan kesihatan anda.
5. **Kanak-kanak, orang cacat, atau sesiapa yang tidak sensitif terhadap suhu, contohnya, seseorang yang mempunyai peredaran darah yang lemah, harus dihalang daripada menggunakan jaket.**
6. **Alat ini bukan bertujuan untuk kegunaan perubatan di hospital.**
7. **Jangan gunakan jaket selain untuk tujuan yang dimaksudkan.**
8. **Jika anda mengesan apa-apa yang luar biasa, matikan jaket itu dan keluarkan pemegang bateri dengan serta-merta.**
9. **Jika terdapat sebarang keabnormalan, hubungi pusat khidmat setempat anda untuk pembaikan.**
10. **Jangan pijak, buang atau merosakkan jaket berkipas.**
11. **Jangan letakkan jari atau objek asing ke dalam unit kipas.**
12. **Jangan tiupkan udara termampat ke arah kipas. Jangan letak kayu kecil ke dalam unit kipas.** Berbuat demikian boleh merosakkan kipas dan motor.
13. **Jangan hidupkan jaket berkipas kecuali anda memakainya.**
14. **Jangan gunakan jaket berkipas di tempat di mana api atau percikan boleh terhasil.** Unit kipas boleh memerangkap api atau percikan api dan menyebabkan kebakaran atau luka terbakar.
15. **Pilih kelajuan kipas yang sesuai selaras dengan persekitaran penggunaan untuk kegunaan berterusan.**
16. **Jangan memakai pakaian lain melapisi jaket berkipas.**
17. **Kekalkan papan nama pada unit kipas. Jika ia tidak boleh dibaca atau hilang, hubungi pusat servis setempat anda untuk pembaikan.**
18. **Sebelum membasuh, tanggalkan unit kipas dan pemegang bateri, keluarkan kartrij bateri. Basuh bahagian jaket sahaja.**
19. **Jangan biarkan jaket berkipas di tempat yang terdedah kepada haba yang tinggi, seperti kereta diletakkan di bawah sinar matahari.** Berbuat demikian boleh menyebabkan bahagian plastik mencair dan menjadi rosak.
20. **Untuk penyimpanan jangka lama, tanggalkan pemegang bateri dan kartrij bateri dari jaket, dan keluarkan kartrij bateri dari pemegang bateri.**
21. **Apabila menyimpan, jauhkan jaket berkipas, unit kipas, pemegang bateri dan kartrij bateri daripada jangkauan kanak-kanak.**
22. **Jangan gunakan jaket berkipas semasa menjalankan operasi kimpalan atau operasi menggunakan pengisar.** Percikan api yang masuk ke dalam unit kipas mungkin menyebabkan kebakaran.
23. **Jauhkan rambut dan pakaian anda dari unit kipas.** Ia boleh tersangkut pada bahagian unit kipas.

Keselamatan elektrik

1. **Jangan biarkan jaket terdedah kepada hujan atau keadaan basah. Jauhkan air daripada bahagian elektrik.** Air yang memasuki jaket akan meningkatkan risiko kejutan elektrik.
2. **Jangan kendalikan kord dan bateri dengan tangan basah atau berminyak.**
3. **Jangan gunakan jaket berkipas ketika kord atau palam rosak.**
4. **Jangan salah gunakan kord. Jangan gunakan kord untuk membawa, menarik atau mencabut palam jaket. Jauhkan kord daripada haba, minyak dan bucu tajam.**
5. **Jangan biarkan mana-mana kord dinyahsambung semasa kuasa bateri dibekalkan.** Kanak-kanak kecil mungkin memasukkan palam hidup ke dalam mulut mereka dan menyebabkan kecederaan.
6. **Jangan gunakan kord yang dibekalkan dengan alat selain unit kipas.**
7. **Jangan masukkan paku, wayar, atau barang lain ke dalam port bekalan kuasa USB.** Berbuat demikian boleh menyebabkan litar pintas, yang boleh menyebabkan asap atau kebakaran.
8. **Jangan sambungkan sumber kuasa ke port USB. Port USB hanya bertujuan untuk mengecap peranti voltan yang lebih rendah. Sentiasa letakkan penutup di atas port USB apabila tidak mengecap peranti voltan yang lebih rendah.** Jika tidak, terdapat risiko kebakaran.
9. **Elakkan permulaan yang tidak disengajakan. Pastikan suis berada dalam kedudukan tertutup sebelum menyambung kepada kartrij bateri, mengangkat atau membawa peralatan.** Membawa peralatan dengan jari anda pada suis atau menahan peralatan dengan suis dalam kedudukan hidup mengundang kemalangan.
10. **Putuskan sambungan kartrij bateri daripada peralatan atau letakkan suis dalam kedudukan terkunci atau tertutup sebelum melakukan sebarang pelarasan, penukaran aksesori atau penyimpanan peralatan.** Langkah-langkah keselamatan pencegahan sedemikian mengurangkan risiko memulakan peralatan secara tidak sengaja.
11. **Cara semula dengan pengecas yang ditentukan oleh pengeluar sahaja. Pengecas yang sesuai untuk satu jenis pek bateri mungkin menimbulkan risiko kebakaran apabila digunakan dengan pek bateri lain.**
12. **Hanya gunakan dengan bateri yang telah dikhususkan. Penggunaan mana-mana bateri lain mungkin menimbulkan risiko kecederaan dan kebakaran.**
13. **Apabila pek bateri tidak digunakan, jauhkannya daripada objek logam lain, seperti klip kertas, duit syiling, paku, skru atau objek logam kecil lain, yang boleh membuat sambungan dari satu terminal ke terminal yang lain.** Memintas terminal bateri bersama-sama mungkin menyebabkan lecuran atau kebakaran.

14. Di bawah keadaan kasar, cecair mungkin dikeluarkan daripada bateri; elakkan sentuhan. Jika tersentuh secara tidak sengaja, siram dengan air. Jika cecair terkena mata, dapatkan bantuan perubatan di samping siraman air. Cecair yang dikeluarkan dari bateri mungkin menyebabkan kegatalan atau luka kebakaran.
15. Jangan gunakan pek bateri atau unit kipas yang rosak atau diubah suai. Bateri yang rosak atau diubah suai mungkin menunjukkan perilaku yang tidak dijangka menyebabkan kebakaran, letupan atau risiko kecederaan.
16. Jangan dedahkan pek bateri atau unit kipas kepada api atau suhu yang berlebihan. Pendedahan kepada api atau suhu melebihi 130 °C mungkin menyebabkan letupan.
17. Ikut semua arahan pengecasan dan jangan cas pek bateri atau unit kipas di luar julat suhu yang ditetapkan dalam arahan. Mengecas dengan tidak betul atau pada suhu di luar julat yang dinyatakan mungkin merosakkan bateri dan meningkatkan risiko kebakaran.
18. Pastikan servis dijalankan oleh orang yang berkelayakan menggunakan alat ganti yang sama. Ini akan memastikan keselamatan produk dapat dikekalkan.
19. Jangan ubah suai atau cuba membaiki perkakas atau pek bateri kecuali seperti yang dinyatakan dalam arahan untuk penggunaan dan penjagaan.
7. Jangan bakar kartrij bateri walaupun jika ia rosak teruk atau haus sepenuhnya. Kartrij bateri boleh meletup dalam kebakaran.
8. Jangan paku, potong, pecahkan, buang, jatuhkan kartrij bateri, atau tekan objek keras pada kartrij bateri. Perbuatan sedemikian boleh mengakibatkan kebakaran, haba berlebihan, atau letupan.
9. Jangan gunakan bateri yang rosak.
10. Bateri litium ion yang terkandung adalah tertakluk kepada keperluan Perundangan Barangan Berbahaya. Bagi pengangkutan komersil cth. oleh pihak ketiga, ejen penghantar, keperluan khas pada pembungkusan dan pelabelan mestilah diperhatikan. Bagi persediaan item yang dihantar, berunding dengan pakar bahan berbahaya adalah diperlukan. Sila juga perhatikan sebolehnya peraturan kebangsaan yang lebih terperinci. Lekatkan atau balut bahagian terbuka dan pek bateri supaya ia tidak bergerak dalam pembungkusan.
11. Apabila melupuskan kartrij bateri, keluarkan ia daripada alat dan lupuskan ia di tempat selamat. Ikut peraturan tempatan anda mengenai pelupusan bateri.
12. Gunakan bateri hanya dengan produk yang ditentukan oleh Makita. Memasang bateri kepada produk yang tidak patuh mungkin menyebabkan kebakaran, pemanasan lampau, atau kebocoran elektrolit.
13. Jika alat tidak digunakan untuk tempoh masa yang lama, bateri mesti dikeluarkan daripada alat.
14. Semasa dan selepas penggunaan, kartrij bateri mungkin ada haba yang boleh menyebabkan terbakar atau suhu rendah terbakar. Beri perhatian kepada pengendalian kartrij bateri yang panas.
15. Jangan sentuh terminal alat itu selepas digunakan kerana ia mungkin panas menyebabkan terbakar.
16. Jangan biarkan cip, habuk, atau tanah terperangkap ke dalam terminal, lubang, dan alur kartrij bateri. Ia mungkin menyebabkan prestasi atau pecahan yang buruk dari alat atau kartrij bateri.
17. Melainkan alat ini menyokong penggunaan yang hampir dari talian kuasa elektrik voltan tinggi, jangan gunakan kartrij bateri berhampiran talian kuasa elektrik voltan tinggi. Ia mungkin menyebabkan kerosakan atau pecah pada alat atau kartrij bateri.
18. Jauhkan bateri daripada kanak-kanak.

Arahan keselamatan penting untuk kartrij bateri

1. Sebelum menggunakan kartrij bateri, baca semua arahan dan tanda amaran pada (1) pengecas bateri, (2) bateri, dan (3) produk menggunakan bateri.
2. Jangan buka atau cabut kartrij bateri. Ia boleh mengakibatkan kebakaran, haba berlebihan, atau letupan.
3. Jika masa operasi menjadi sangat pendek, berhenti operasi serta merta. Ia mungkin menyebabkan risiko pemanasan lampau, melecur bahkan letupan.
4. Jika elektrolit masuk ke dalam mata anda, bilas mata dengan air jernih dan dapatkan rawatan perubatan serta merta. Ia mungkin menyebabkan kehilangan penglihatan.
5. Jangan pintaskan kartrij bateri:
 - (1) Jangan sentuh terminal dengan bahan berkonduksi.
 - (2) Elakkan menyimpan kartrij bateri dalam bekas bersama-sama objek besi lain seperti paku, duit syiling, dll.
 - (3) Jangan dedahkan kartrij bateri kepada air atau hujan.
 Pintasan bateri boleh menyebabkan aliran kuasa yang besar, pemanasan lampau, melecur dan juga kerosakan.
6. Jangan simpan dan gunakan alat dan kartrij bateri di lokasi yang suhunya mungkin mencapai atau melebihi 50 °C (122 °F).

SIMPAN ARAHAN INI.

⚠PERHATIAN: Hanya gunakan bateri asli Makita. Penggunaan bateri tidak asli Makita, atau bateri yang telah diubah suai, mungkin menyebabkan bateri meletup menyebabkan kebakaran, kecederaan diri dan kerosakan. Ia juga membatalkan jaminan Makita untuk alat Makita dan pengecas.

Tip untuk mengekalkan hayat bateri maksimum

1. Cas kartrij bateri sebelum ternyahcas sepenuhnya. Sentiasa hentikan operasi alat dan cas kartrij bateri apabila anda menyedari kurang kuasa alat.
2. Jangan cas semula kartrij bateri yang dicas sepenuhnya. Terlebih cas memendekkan hayat servis bateri.
3. Cas kartrij bateri dengan suhu bilik pada 10 °C - 40 °C (50 °F - 104 °F). Biarkan kartrij bateri yang panas menyejuk sebelum mengecasnya.
4. Apabila tidak menggunakan kartrij bateri, tanggalkannya dari alat atau pengecas.
5. Cas kartrij bateri jika anda tidak gunakannya untuk tempoh yang lama (lebih daripada enam bulan).

KETERANGAN BAHAGIAN

► Rajah1

| | | | | | | | |
|---|----------------------------------|---|---|---|--|---|--|
| 1 | Unit kipas | 2 | Kabel kuasa | 3 | Pemegang bateri untuk kartrij bateri CXT * | 4 | Pemegang bateri untuk kartrij bateri LXT * |
| 5 | Bateri BL1055B * (Khusus negara) | 6 | Kartrij bateri CXT * (10.8 V - 12 V maks) | 7 | Kartrij bateri LXT * (14.4 V / 18 V maks) | - | - |

* Aksesori pilihan

► Rajah2

| | | | | | | | |
|---|--|----|--|---|----------------|---|--------------------------------|
| 1 | Poket bateri | 2 | Pemantul cahaya | 3 | Tukup | 4 | Pad bahu |
| 5 | Jejaring poket untuk pek ais | 6 | Lubang kabel di dalam poket (di bawah lapik dalam) | 7 | Pemegang kabel | 8 | Lubang kabel dalam lapik dalam |
| 9 | Kancing zip (untuk capaian unit kipas) | 10 | Kancing depan | - | - | - | - |

NOTA: Ciri jaket/ves berbeza-beza bergantung pada model. Rujuk bahagian spesifikasi untuk ciri jaket/ves anda.

PEMASANGAN

Mengecas bateri















Kartrij bateri digunakan dengan pemegang bateri
Rujuk pada manual arahan pengecas untuk mengetahui cara mengecas bateri.

Bateri BL1055B

Buka penutup port USB. Sambungkan port USB dan Penyesuai Kuasa AC ADP07 (tidak termasuk) dengan menggunakan kabel USB yang dibekalkan dengan bateri. Selepas itu, pasang palam Penyesuai Kuasa AC ADP07 pada kuasa utama. Apabila pengecasan selesai, semua penunjuk kapasiti bateri akan menyala dan kemudian padam selepas tempoh tertentu. Cabut palam Penyesuai Kuasa AC dan putus sambungan kabel USB dan kemudian tutup penutup.

► **Rajah3:** 1. Penyesuai Kuasa AC ADP07 2. Bateri BL1055B 3. Penutup 4. Kabel USB

Maksud lampu penunjuk

| Lampu penunjuk | | | Kapasiti yang tinggal |
|--|--|--|-----------------------|
|  Dinyalakan |  Mati |  Berkelip | |
|  |  |  | 100% |
| ↓ (Lampu padam selepas tempoh tertentu.) | | | |
|  |  |  | 51% hingga 99% |
|  |  |  | 26% hingga 50% |
|  |  | | 0% hingga 25% |

Memasang atau menanggalkan kartrij bateri

Hanya apabila menggunakan kartrij bateri yang digunakan dengan pemegang bateri

⚠PERHATIAN: Sentiasa matikan peranti sebelum memasang atau mengeluarkan kartrij bateri.

⚠PERHATIAN: Pegang pemegang dan kartrij bateri dengan kuat semasa memasang atau mengeluarkan kartrij bateri. Kegagalan untuk memegang pemegang dan kartrij bateri dengan kuat boleh menyebabkan ia terlepas daripada tangan anda dan mengakibatkan kerosakan kepada pemegang dan kartrij bateri dan/atau kecederaan diri.

► **Rajah4:** 1. Penunjuk merah 2. Butang 3. Kartrij bateri 4. Pemegang bateri

Untuk memasang kartrij bateri, selaraskan lidah pada kartrij bateri dengan alur di dalam perumah dan gelincirkan ia ke tempatnya. Masukkan kartrij bateri sepenuhnya sehingga ia terkunci di tempatnya dengan klik kecil. Jika anda boleh melihat penunjuk merah di sisi atas butang, ia tidak dikunci sepenuhnya.

Untuk mengeluarkan kartrij bateri, lururkan ia daripada pemegang bateri apabila menekan butang di hadapan kartrij.

⚠PERHATIAN: Sentiasa pasang kartrij bateri sepenuhnya sehingga penunjuk merah tidak boleh dilihat. Jika tidak, kartrij bateri mungkin terjatuh daripada pemegang bateri, menyebabkan kecederaan kepada anda atau seseorang di sekeliling anda.

⚠PERHATIAN: Jangan paksa pasang kartrij bateri. Jika kartrij bateri tidak meluncur masuk dengan mudah, ia tidak dimasukkan dengan betul.

Memasang pemegang bateri

Hanya apabila menggunakan kartrij bateri yang digunakan dengan pemegang bateri

Anda boleh menggantung pemegang bateri di pinggang anda.

Untuk mengelakkan pemegang bateri daripada jatuh secara tidak sengaja, pasang tali menggunakan lubang tali dan ketatkannya.

► **Rajah5:** 1. Lubang tali

Pemegang bateri mempunyai fungsi anti-jatuh. Apabila menanggalkan pemegang bateri dari tali pinggang, tarik pemegang bateri sambil menekan butang buka kunci.

► **Rajah6:** 1. Butang buka kunci

Memasang atau mengeluarkan unit kipas

1. Buka kancing zip di dalam jaket. (Langkau langkah ini jika jaket/ves anda tidak mempunyai lapik dalam)

► **Rajah7:** 1. Kancing zip

2. Putarkan gelang mengikut arah lawan jam dan keluarkan gelang daripada unit kipas.

► **Rajah8:** 1. Unit kipas 2. Gelang

3. Dari luar jaket/ves, masukkan kepala unit kipas ke dalam lubang pada jaket/ves.

► **Rajah9:** 1. Unit kipas 2. Lubang

4. Dari dalam jaket/ves, letakkan unit kipas supaya gelung pada unit kipas berada paling dekat dengan jalur pada jaket/ves.

(Jangan tekan butang kilat pada jalur pada langkah ini.)

► **Rajah10:** 1. Jalur 2. Gelung

5. Dari dalam jaket/ves, letakkan gelang pada unit kipas dan putar gelang mengikut arah jam sehingga tanda segi tiga disejajarkan dengan tanda " II ".

► **Rajah11:** 1. Gelang 2. Unit kipas 3. Tanda " II " 4. Tanda segi tiga 5. Tanda " I "

NOTA: Semasa memutar gelang, berhati-hati agar tidak menggerakkan kedudukan unit kipas. Kekalkan kedudukan gelang pada unit kipas paling dekat dengan jalur.

NOTA: Letakkan gelang selari dengan unit kipas. Jika tidak, anda mungkin tidak dapat memutar gelang dengan lancar.

NOTA: Apabila anda menggunakan set penapis (aksesori pilihan), putar gelang sehingga tanda segi tiga disejajarkan dengan tanda " I ". (gelang tidak dapat diputar sehingga tanda " II ")

6. Lalukan jalur melalui gelung pada unit kipas dan tekan butang kilat.

► **Rajah12:** 1. Jalur 2. Butang kilat

⚠PERHATIAN: Sentiasa gunakan jalur dan butang kilat untuk mengetatkan unit kipas ke jaket/ves. Jika unit kipas terjatuh, ia boleh menyebabkan kecederaan, atau kerosakan pada unit kipas.

7. Pasang unit kipas lain pada jaket/ves dengan cara yang sama.

8. Sambungkan kabel kuasa ke unit kipas.

► **Rajah13:** 1. Kabel kuasa 2. Pemegang kabel 3. Kancing zip

NOTA: Kancing zip tidak disediakan dengan jaket/ves tanpa lapik dalam.

NOTIS: Sentiasa sambungkan kabel kuasa ke unit kipas. Kipas tidak beroperasi jika kabel kuasa disambungkan ke satu unit kipas sahaja.

9. Ikut mana-mana arahan di bawah bergantung pada cara menyimpan bateri apabila menggunakan jaket/ves berkipas:

Semasa menyimpan bateri di dalam poket bateri atau pada tali pinggang anda

Lalukan hujung kabel kuasa melalui lubang pada lapik dalam jaket/ves seperti yang ditunjukkan di dalam rajah (langkah-langkah ini jika jaket/ves anda tidak mempunyai lapik dalam). Sokong kabel menggunakan pemegang kabel.

► **Rajah14:** 1. Lubang dalam lapik dalam 2. Kabel kuasa

Semasa menyimpan bateri di dalam poket jaket/ves (Hanya untuk jaket/ves yang mempunyai lubang untuk capaian terus kepada poket)

Dari dalam jaket/ves, lalukan hujung kabel kuasa melalui lubang di dalam poket jaket/ves seperti yang ditunjukkan di dalam rajah.

► **Rajah15:** 1. Lubang di dalam poket 2. Kabel kuasa

10. Sambungkan kabel kuasa ke pemegang bateri/ Bateri BL1055B.

► **Rajah16:** 1. Pemegang bateri 2. Bateri BL1055B

11. Tutup kancing zip.

(Langkau langkah ini jika jaket/ves anda tidak mempunyai lapik dalam)

⚠PERHATIAN: Apabila menggunakan jaket/ves berkipas, simpan bateri dengan selamat di dalam poket atau cangkuk bateri pada tali pinggang anda untuk mengelakkan bateri daripada terjatuh.

Ikuti prosedur pemasangan secara terbalik apabila menanggalkannya.

Memasang set penapis

Aksesori pilihan

Set penapis melindungi unit kipas daripada debu dan habuk. Kami mengesyorkan agar anda menggunakan set penapis di tempat kerja berdebu atau berhabuk. Pasang pelekapan penapis antara unit kipas dengan gelang. Putar gelang mengikut arah jam sehingga tanda segi tiga disejajarkan dengan tanda "I". Selepas itu, pasang penapis pada pelekapan penapis.

► **Rajah17:** 1. Gelang 2. Lubang pada jaket/ves 3. Pelekapan penapis 4. Unit kipas 5. Penapis 6. Tanda "I" 7. Tanda segi tiga

NOTIS: Pastikan penapis sepenuhnya menutup pelekapan penapis. Untuk perlindungan yang lebih baik daripada debu dan habuk, selitkan skirt penapis antara jaket/ves dengan pelekapan penapis.

KETERANGAN FUNGSI

NOTIS: Jaket/ves berkipas berkesan semasa kelembapan dan suhu udara ambilan lebih rendah daripada permukaan badan. Jaket/ves berkipas mungkin tidak berkesan jika suhu udara dan/atau kelembapan lebih tinggi daripada di dalam jaket/ves.

Penunjuk tahap kuasa

Tahap kuasa semasa dipaparkan dalam penunjuk tahap kuasa.

Pemegang bateri

► **Rajah18:** 1. Penunjuk tahap kuasa

Bateri BL1055B

► **Rajah19:** 1. Penunjuk tahap kuasa

NOTIS: Untuk Bateri BL1055B, lampu No.1 dan No.4 akan berkelip secara berselang-seli jika terdapat keabnormalan dalam sambungan antara bateri dengan unit kipas.

Menunjukkan kapasiti bateri yang tinggal

NOTA: Bergantung kepada keadaan penggunaan dan suhu persekitaran, penunjuk mungkin berbeza sedikit daripada kapasiti sebenar.

Hanya apabila menggunakan kartrij bateri (dengan penunjuk) yang digunakan dengan pemegang bateri Tekan butang semak pada kartrij bateri untuk menunjukkan kapasiti bateri yang tinggal. Lampu penunjuk menyala untuk beberapa saat.

► **Rajah20:** 1. Lampu penunjuk 2. Butang semak

Maksud lampu penunjuk

| Lampu penunjuk | | | Kapasiti yang tinggal |
|---------------------------|------|----------|-----------------------------|
| Dinyalakan | Mati | Berkelip | |
| ■ ■ ■ ■ | | | 75% hingga 100% |
| ■ ■ ■ □ | | | 51% hingga 75% |
| ■ ■ □ □ | | | 25% hingga 50% |
| ■ □ □ □ | | | Kurang daripada 25% |
| ▤ □ □ □ | | | Cas bateri. |
| (Untuk bateri LXT sahaja) | | | |
| ■ ■ □ □ | | | Bateri mungkin telah rosak. |
| □ □ ■ ■ | | | |
| (Untuk bateri LXT sahaja) | | | |

NOTA: Untuk bateri LXT sahaja:

Lampu penunjuk (kiri jauh) pertama akan berkedip apabila sistem perlindungan bateri berfungsi.

Bateri BL1055B

Semasa bateri BL1055B dicabut palam, tekan butang kuasa. Penunjuk kapasiti bateri menyala selama beberapa saat.

► **Rajah21:** 1. Penunjuk kapasiti bateri

Maksud lampu penunjuk

| Lampu penunjuk | | | Kapasiti yang tinggal |
|----------------|------|----------|-----------------------|
| Dinyalakan | Mati | Berkelip | |
| | | | 51% hingga 100% |
| | | | 26% hingga 50% |
| | | | 11% hingga 25% |
| | | | Kurang daripada 11% |
| | | | Keabnormalan bateri |

Sistem perlindungan bateri

Peranti dilengkapi dengan sistem perlindungan bateri. Sistem ini secara automatik memutuskan kuasa ke motor untuk memanjangkan hayat bateri. Jika kapasiti bateri yang tinggal terlalu rendah dan alat akan tidak beroperasi. Apabila anda menghidupkan alat, motor berjalan semula tetapi kemudiannya berhenti. Dalam situasi ini, keluarkan dan cas semula kartrij bateri.

Aliran udara

Aliran udara di dalam jaket ditunjukkan di bawah.

► **Rajah22**

Untuk jaket yang mempunyai hud, pakai hud di atas topi keledar anda. Udara dari kipas akan melalui topi keledar dan menyejukkan kepala anda.

► **Rajah23**

Poket bateri

NOTA: Sesetengah jaket/ves tidak mempunyai poket bateri. Rujuk bahagian spesifikasi untuk ciri jaket/ves anda.

Gunakan poket bateri untuk menyimpan bateri atau pemegang (dengan bateri) di dalam jaket/ves.

► **Rajah24**

⚠PERHATIAN: Sentiasa tekan butang kilat apabila bateri disimpan di dalam poket.

Poket jejaring

NOTA: Sesetengah jaket/ves tidak mempunyai poket jejaring. Rujuk bahagian spesifikasi untuk ciri jaket/ves anda.

Gunakan poket jejaring pada bahagian belakang jaket/ves untuk menyimpan pek ais.

► **Rajah25:** 1. Poket jejaring

Kancing depan

NOTA: Sesetengah jaket/ves tidak mempunyai kancing depan. Rujuk bahagian spesifikasi untuk ciri jaket/ves anda.

Laraskan panjang tali pinggang mengikut saiz anda. Jika tali pinggang melentok ke bawah, lalukan tali pinggang melalui gelung tali pinggang seperti yang ditunjukkan di dalam rajah.

► **Rajah26:** 1. Tali sawat 2. Gelung tali pinggang

Menyambungkan peranti USB

⚠PERHATIAN: Sambungkan peranti yang serasi dengan port bekalan kuasa USB sahaja. Tidak berbuat demikian boleh menyebabkan kerosakan pada pemegang bateri.

NOTIS: Sebelum menyambungkan peranti USB, sentiasa sandarkan data pada peranti USB. Tidak berbuat demikian boleh menyebabkan kehilangan data anda.

NOTIS: Pemegang bateri dan Bateri BL1055B mungkin tidak membekalkan kuasa kepada beberapa peranti USB.

NOTIS: Apabila tidak digunakan atau selepas mengecas, keluarkan kabel USB dan tutup penutup.

NOTA: Arus output sebenar berbeza-beza bergantung pada peranti USB yang akan disambungkan.

NOTA: Kuasa bateri digunakan semasa butang kuasa dihidupkan. Sentiasa matikan suis apabila tidak digunakan.

NOTA: Apabila mengecas berbilang peranti USB secara berturut-turut, tunggu selama kira-kira 10 saat selepas pengecasan peranti terdahulu selesai sebelum mula mengecas peranti yang seterusnya.

Pemegang bateri (dengan bateri) dan Bateri BL1055B boleh berfungsi sebagai bekalan kuasa luaran untuk peranti USB.

1. Buka penutup dan sambungkan kabel USB (tidak disertakan) ke port USB. Kemudian, sambungkan hujung kabel yang lain ke peranti.

2. Mula mengecas:

— Apabila menggunakan pemegang bateri (dengan bateri), tekan dan tahan butang kuasa sehingga penunjuk tahap kuasa menyala. Bateri membekalkan DC 5 V, 2.4 A.

Pemegang bateri (dengan bateri)

► **Rajah27:** 1. Penutup 2. Port USB

— Semasa menggunakan Bateri BL1055B, tekan butang kuasa. Bateri membekalkan DC 5 V, 1.5 A.

Bateri BL1055B

► **Rajah28:** 1. Butang kuasa 2. Port USB

OPERASI

Untuk menghidupkan kipas, tekan dan tahan butang kuasa. Kipas bermula pada tahap kuasa maksimum 4. Setiap kali anda menekan butang kuasa, tahap kuasa berubah daripada 4 kepada 1 dan kembali kepada 4. Penunjuk tahap kuasa menunjukkan tetapan semasa. Untuk mematikan, tekan dan tahan butang kuasa utama sekali lagi.

Pemegang bateri

► **Rajah29:** 1. Penunjuk tahap kuasa 2. Butang kuasa

Bateri BL1055B

► **Rajah30:** 1. Penunjuk tahap kuasa 2. Butang kuasa

PENYELENGARAAN

⚠PERHATIAN: Sentiasa pastikan jaket dimatikan dan kartrij bateri atau Bateri BL1055B dikeluarkan sebelum cuba menjalankan pemeriksaan atau penyelenggaraan.

⚠PERHATIAN: Jika jaket/ves tidak hidup atau apa-apa kerosakan ditemui dengan kartrij bateri yang dicas sepenuhnya, bersihkan terminal pemegang bateri dan kartrij bateri. Jika jaket masih tidak berfungsi dengan betul, berhenti menggunakan jaket/ves dan hubungi pusat servis yang diiktiraf kami.

NOTIS: Jangan gunakan petrol, benzin, pencair, alkohol atau bahan yang serupa. Ia boleh menyebabkan perubahan warna, bentuk atau keretakan.

Untuk mengekalkan KESELAMATAN dan KEBOLEHPERCAYAAN produk, pembaikan, apa-apa penyelenggaraan atau penyesuaian lain perlu dilakukan oleh Kilang atau Pusat Servis Makita yang Diiktiraf, sentiasa gunakan alat ganti Makita.

Membersihkan unit kipas

Sapu kotoran, habuk, minyak, gris dan lain-lain dengan kain kering yang bersih. Untuk membersihkan bilah kipas, keluarkan gelang dan buka cangkuk perumah daripada penutup dengan menggunakan pemutar skru beralur atau yang serupa. Terdapat tiga cangkuk pada perumah. Buka cangkuk sedikit demi sedikit secara bergilir-gilir agar cangkuk tidak patah.

► **Rajah31:** 1. Pemutar skru beralur 2. Perumah 3. Penutup 4. Lubang 5. Bilah kipas 6. Cangkuk

NOTIS: Jangan keluarkan bilah kipas daripada perumah.

NOTIS: Jangan basuh unit kipas dengan air.

Pastikan anda memasang penutup selepas membersihkan bilah kipas. Letakkan penutup pada perumah seperti yang ditunjukkan di dalam rajah (perhatikan arah logo pada penutup dan gelung pada perumah). Jajarkan cangkuk dengan lubang dan kemudian pasang cangkuk.

► **Rajah32:** 1. Logo pada penutup 2. Gelung pada perumah

Membersihkan jaket/ves

- Tanggalkan unit kipas dan bateri atau pemegang bateri daripada jaket/ves sebelum mencuci.
- Ikuti arahan pada tag.
- Produk kapas mungkin kecut apabila dibasuh.
- Jangan basuh jaket/ves dengan pakaian lain. Berbuat demikian boleh menyebabkan warna pudar atau pemindahan warna.
- Gunakan jaring pakaian ketika menggunakan mesin basuh.
- Jangan gunakan pelembut fabrik.
- Gunakan detergen semula jadi sahaja.
- Selepas mencuci, keluarkan jaket/ves daripada mesin basuh sekaligus.
- Pastikan kancing zip ditutup sebelum mencuci.

Untuk jaket dengan pemantul cahaya

- Prestasi bahagian pemantul cahaya boleh menjadi lemah dengan mencuci.
- Basuhan mesin dalam kitaran lembut (Bilangan basuhan ialah sehingga 5 kali.)
- Bilangan basuhan bukanlah satu-satunya faktor untuk menentukan tempoh hayat jaket.
- Hayat jaket berubah dengan cara penggunaan, cara penjagaan dan keadaan penyimpanan.
- Jika bahagian pemantul cahaya atau pakaian telah rosak, gantikan dengan jaket baharu.

NOTA: Ciri jaket/ves berbeza-beza bergantung pada model. Rujuk bahagian spesifikasi untuk ciri jaket/ves anda.

AKSESORI PILIHAN

⚠️ PERHATIAN: Aksesori-aksesori atau lampiran-lampiran ini adalah disyorkan untuk digunakan dengan alat Makita anda yang ditentukan dalam manual ini. Penggunaan mana-mana aksesori-aksesori atau lampiran-lampiran lain mungkin mengakibatkan risiko kecederaan kepada orang. Hanya gunakan aksesori atau lampiran untuk tujuan yang dinyatakannya.

Jika anda memerlukan sebarang bantuan untuk maklumat lebih lanjut mengenai aksesori ini, tanya Pusat Perkhidmatan Makita tempatan anda.

- Set penapis
- Bateri BL1055B
- Pemegang bateri
- Kabel penyesuai untuk jaket/ves
- Kabel penyesuai untuk jaket/ves/selimut pemanasan
- Bateri dan pengecas asli Makita

NOTA: Beberapa item dalam senarai mungkin disertakan dalam pakej alat sebagai aksesori standard. Item mungkin berbeza mengikut negara.

THÔNG SỐ KỸ THUẬT

Thông số kỹ thuật của áo khoác dài tay/áo khoác không tay

| Loại | | Áo khoác dài tay | | | | | | Áo khoác không tay | |
|-----------|---|------------------|---------|---------|---------|-------------|----------------|--------------------|---------|
| Kiểu | | DFJ212A | DFJ213A | DFJ214A | DFJ216A | DFJ312A | DFJ416A | DFV210A | DFV214A |
| Vật liệu | Lớp ngoài | 100% Polyester | | | | 100% Cotton | 100% Polyester | | |
| | Lớp lót | 100% Polyester | | | - | 100% Cotton | 100% Polyester | | |
| | Túi | 100% Polyester | | | | 100% Cotton | 100% Polyester | | |
| | Miếng đệm vai | - | | | | | 100% Ni lông | - | |
| Tính năng | Túi đựng pin | ✓ | ✓ | ✓ | ✓ | ✓ | ✓ | ✓ | - |
| | Lổ dẫn trực tiếp vào túi (dưới lớp lót) | - | - | - | - | - | - | - | ✓ |
| | Túi lưới cho gói băng | - | - | - | ✓ | - | - | - | - |
| | Mũ trùm đầu | ✓ | - | - | - | - | - | - | - |
| | Miếng đệm vai | - | - | - | - | - | ✓ | - | - |
| | Ông tay áo tháo rời được | - | - | - | - | ✓ | ✓ | - | - |
| | Bộ phận phản xạ ánh sáng | - | - | ✓ | - | - | - | - | - |
| | Khóa trước | - | - | - | - | - | - | - | ✓ |

Thông số kỹ thuật của giá đỡ pin (phụ kiện tùy chọn)

| Kiểu | Giá đỡ pin dành cho hộp pin LXT | Giá đỡ pin dành cho hộp pin CXT |
|-------------------|--|---------------------------------|
| Điện áp định mức | D.C. 14,4 V D.C. 18 V | D.C. 10,8 V - tối đa 12 V |
| Hộp pin | BL1415N / BL1430B / BL1440 / BL1460B BL1815N / BL1820B / BL1830B / BL1840B / BL1850B / BL1860B | BL1016 / BL1021B / BL1041B |
| Cổng cấp điện USB | D.C. 5 V, 2,4 A, Loại A | |

Thông số kỹ thuật của Pin BL1055B (phụ kiện tùy chọn)

| | |
|-------------------|-------------------------|
| Điện áp định mức | D.C. 10,8 V |
| Cổng cấp điện USB | D.C. 5 V, 1,5 A, Loại C |

- Do chương trình nghiên cứu và phát triển liên tục của chúng tôi nên các thông số kỹ thuật trong đây có thể thay đổi mà không cần thông báo trước.
- Các thông số kỹ thuật và hộp pin có thể thay đổi tùy theo từng quốc gia.
- Một số hộp pin và sạc pin được nêu trong danh sách ở trên có thể không khả dụng tùy thuộc vào khu vực cư trú của bạn.

⚠ CẢNH BÁO: Chỉ sử dụng hộp pin được nêu trong danh sách ở trên. Việc sử dụng bất cứ hộp pin nào khác có thể gây ra thương tích và/hoặc hỏa hoạn.

Thời gian hoạt động

Đơn vị: Giờ

| Tốc độ gió | Pin | | | |
|------------|---------|---------|---------|---------|
| | BL1055B | BL1041B | BL1430B | BL1860B |
| 4 | 6,5 | 4,0 | 4,5 | 10,0 |
| 3 | 10,0 | 6,5 | 7,0 | 16,0 |
| 2 | 18,5 | 12,0 | 13,5 | 29,5 |
| 1 | 40,5 | 27,5 | 31,0 | 68,0 |

- Thời gian hoạt động trong bảng trên là hướng dẫn sơ lược. Thời gian trên có thể khác với thời gian hoạt động thực tế.
- Thời gian hoạt động có thể khác nhau tùy thuộc vào loại pin, tình trạng sạc pin, và điều kiện sử dụng.

Ký hiệu

Một vài biểu tượng sau đây được sử dụng cho sản phẩm. Đảm bảo đã hiểu rõ ý nghĩa của các ký hiệu này trước khi sử dụng.



Đọc tài liệu hướng dẫn.



Giặt máy ở nhiệt độ dưới 30°C ở chế độ giặt nhẹ.



Giặt máy ở nhiệt độ dưới 40°C ở chế độ giặt nhẹ.



Giặt máy bằng máy giặt trong nhà hoặc máy giặt công nghiệp ở chế độ giặt nhẹ.



Không được tẩy màu.



Phơi khô trong bóng râm.



Không được vắt.



Ủ ở nhiệt độ thấp (không vượt quá 110°C).



Ủ ở nhiệt độ trung bình (không vượt quá 150°C).



Không được ủi.



Không được giặt khô.



Không được sấy khô.



Ni-MH
Li-ion

Chỉ dành cho các quốc gia EU. Do có các thành phần nguy hiểm bên trong thiết bị điện và điện tử, ắc quy và pin thải bỏ nên có thể có tác động không tốt đến môi trường và sức khỏe con người. Không vứt bỏ các thiết bị điện và điện tử hoặc pin với rác thải sinh hoạt!

Theo Chỉ thị của Châu Âu về thiết bị điện và điện tử thải bỏ và về pin và ắc quy và pin và ắc quy thải bỏ, cũng như sự thích ứng của chúng với luật pháp quốc gia, các thiết bị điện, pin và ắc quy thải phải được cất giữ riêng biệt và chuyển đến một điểm thu gom rác thải đô thị riêng, hoạt động theo các quy định về bảo vệ môi trường. Điều này được biểu thị bằng biểu tượng thùng rác có bánh xe gạch chéo được đặt trên thiết bị.

Mục đích sử dụng

Áo khoác dài tay/áo khoác không tay gắn quạt được thiết kế để làm mát nhiệt độ cơ thể của bạn.

CẢNH BÁO AN TOÀN

⚠CẢNH BÁO: Đọc tất cả các cảnh báo an toàn và tất cả hướng dẫn. Việc không tuân theo các cảnh báo và hướng dẫn có thể dẫn đến điện giật, hỏa hoạn và/hoặc thương tích nghiêm trọng.

Lưu giữ tất cả cảnh báo và hướng dẫn để tham khảo sau này.

1. Không bao giờ sử dụng áo khoác gắn quạt khi nhiệt độ vượt quá 50°C (122°F). Ngoài ra cần tránh sử dụng trong độ ẩm cao. Làm như vậy có thể gây bỏng.
2. Không được mặc áo khoác tiếp xúc trực tiếp lên da.
3. Không được sử dụng áo khoác khi bạn đang chịu ảnh hưởng của ma túy, rượu hay thuốc.
4. Không được ngủ khi đang mặc áo khoác gắn quạt. Việc giảm đột ngột nhiệt độ cơ thể có thể gây tổn hại cho sức khỏe của bạn.
5. Trẻ em, người tàn tật, hoặc bất cứ ai không nhạy cảm với nhiệt độ, ví dụ, người bị lưu thông máu kém, nên ngừng sử dụng áo khoác.

6. Thiết bị này không được thiết kế để sử dụng với mục đích y tế trong bệnh viện.
7. Không được sử dụng áo khoác cho mục đích khác ngoài mục đích thiết kế của áo.
8. Nếu bạn cảm giác bất kỳ điều gì bất thường, hãy tắt công tắc của áo khoác và tháo giá đỡ pin ngay lập tức.
9. Nếu phát hiện bất kỳ điều gì bất thường, hãy liên hệ trung tâm dịch vụ tại địa phương của bạn để sửa chữa.
10. Không được giẫm chân lên, ném hoặc lạm dụng áo khoác gắn quạt.
11. Không được đặt ngón tay hoặc vật thể lạ vào bộ phận quạt.
12. Không được thổi khí nén về phía quạt. Không được đặt các que nhỏ vào trong bộ phận quạt. Làm như vậy có thể làm hỏng quạt và động cơ.
13. Không được bật công tắc của áo khoác gắn quạt trừ khi bạn đang mặc nó.
14. Không sử dụng áo khoác gắn quạt ở những nơi có thể phát sinh ra lửa hoặc tia lửa. Bộ phận quạt có thể sẽ bắt lửa hoặc tia lửa và gây ra cháy hoặc bỏng.
15. Chọn tốc độ quạt phù hợp với môi trường sử dụng để sử dụng liên tục.
16. Không được mặc bất kỳ quần áo nào khác bên ngoài áo khoác gắn quạt.
17. Giữ bằng tên trên bộ phận quạt. Nếu nó không còn đọc được hoặc bị mất, hãy liên hệ trung tâm dịch vụ tại địa phương của bạn để sửa chữa.
18. Trước khi giặt, gỡ bộ phận quạt và giá đỡ pin, tháo hộp pin ra. Chỉ được giặt phần áo.
19. Không được để áo khoác gắn quạt ở những nơi tiếp xúc với nguồn nhiệt cao, như trong ô tô dưới trời nắng. Làm như vậy có thể khiến các bộ phận bằng nhựa bị chảy và gây hư hỏng.
20. Để bảo quản lâu dài, tháo giá đỡ pin và hộp pin khỏi áo khoác, và tháo hộp pin khỏi giá đỡ pin.
21. Khi bảo quản, hãy giữ áo khoác, bộ phận quạt, giá đỡ pin, và hộp pin tránh xa khỏi tầm với của trẻ em.
22. Không sử dụng áo khoác gắn quạt khi thực hiện thao tác hàn hoặc các thao tác có sử dụng máy mài. Phóng tia lửa vào bộ phận quạt có thể gây ra cháy.
23. Giữ tóc và quần áo tránh xa bộ phận quạt. Chúng có thể bị mắc kẹt vào các bộ phận đang di chuyển của quạt.
4. Không được lạm dụng dây điện. Không được sử dụng dây điện để xách áo, kéo hoặc rút phích cắm áo khoác. Giữ dây điện cách xa nguồn nhiệt, dầu mỡ và các cạnh sắc nhọn.
5. Không để bất kỳ dây điện nào bị ngắt kết nối trong khi đang cấp điện năng pin. Trẻ nhỏ có thể đưa phích cắm có điện vào miệng và gây chấn thương.
6. Không được sử dụng dây điện được cung cấp với các thiết bị ứng dụng khác ngoài áo khoác gắn quạt.
7. Không được cho móng tay, dây hoặc các vật thể khác vào cổng cấp điện USB. Làm như vậy có thể gây chập điện, có thể phát sinh ra khói hoặc cháy.
8. Không được cắm nguồn điện vào cổng USB. Cổng USB chỉ dành để sạc các thiết bị điện áp thấp hơn. Luôn luôn đóng nắp cổng USB khi không sạc thiết bị điện áp thấp hơn. Nếu không sẽ có nguy cơ gây cháy.
9. Tránh tình huống vô tình khởi động. Đảm bảo công tắc ở vị trí tắt trước khi kết nối với hộp pin, cầm hoặc mang thiết bị. Việc di chuyển thiết bị khi đang đặt ngón tay ở vị trí công tắc hoặc cấp điện cho thiết bị đang bật thường dễ gây ra tai nạn.
10. Ngắt kết nối hộp pin khỏi thiết bị hoặc đặt công tắc ở vị trí khóa hoặc tắt trước khi thực hiện bất kỳ điều chỉnh nào, thay phụ tùng hoặc cất giữ thiết bị. Các biện pháp an toàn phòng ngừa này sẽ làm giảm nguy cơ vô tình khởi động thiết bị.
11. Chỉ sạc pin lại với bộ sạc do nhà sản xuất quy định. Bộ sạc phù hợp với một loại bộ pin này có thể gây ra nguy cơ hỏa hoạn khi được dùng cho một bộ pin khác.
12. Chỉ sử dụng với pin được thiết kế đặc thù. Việc sử dụng bất cứ pin nào khác có thể gây ra thương tích và cháy.
13. Khi không sử dụng bộ pin, hãy giữ tránh xa các đồ vật khác bằng kim loại, chẳng hạn như kẹp giấy, tiền xu, chìa khóa, đinh, ốc vít hoặc các vật nhỏ bằng kim loại mà có thể làm nối tất các đầu cực pin. Các đầu cực pin bị đoản mạch có thể gây cháy hoặc hỏa hoạn.
14. Trong điều kiện sử dụng quá mức, pin có thể bị chảy nước; hãy tránh tiếp xúc. Nếu vô tình tiếp xúc với pin bị chảy nước, hãy rửa sạch bằng nước. Nếu dung dịch từ pin tiếp xúc với mắt, cần đi khám bác sĩ thêm. Dung dịch chảy ra từ pin có thể gây rát da hoặc bỏng.
15. Không sử dụng bộ pin hoặc bộ phận quạt bị hư hỏng hoặc đã bị sửa đổi. Pin đã bị hư hỏng hoặc đã bị sửa đổi có thể hành động theo cách không thể đoán trước dẫn đến cháy, nổ hoặc nguy cơ chấn thương.
16. Không để bộ pin hoặc bộ phận quạt tiếp xúc với lửa hoặc nhiệt độ quá cao. Tiếp xúc với lửa hoặc nhiệt độ trên 130 °C có thể gây ra cháy nổ.

An toàn về điện

1. Không để áo khoác tiếp xúc với mưa hoặc điều kiện ẩm ướt. Không để nước tiếp xúc với các bộ phận điện. Nước lọt vào áo khoác sẽ làm tăng nguy cơ điện giật.
2. Không được thao tác với dây điện và pin bằng tay ướt hay dính dầu mỡ.
3. Không sử dụng áo khoác gắn quạt khi dây điện hoặc phích cắm bị hỏng.

17. **Làm theo tất cả các hướng dẫn sạc pin và không được sạc bộ pin hoặc bộ phận vượt giới hạn nhiệt độ quy định trong hướng dẫn.** Sạc pin không đúng hoặc ở nhiệt độ vượt giới hạn nhiệt độ có thể gây hư hỏng cho pin và làm tăng nguy cơ cháy.
18. **Hãy để nhân viên sửa chữa đủ trình độ thực hiện việc bảo trì và chỉ sử dụng các bộ phận thay thế đồng nhất.** Việc này sẽ đảm bảo duy trì được độ an toàn của sản phẩm.
19. **Không sửa đổi hoặc cố sửa chữa thiết bị hay bộ pin ngoại trừ trường hợp được thể hiện trong hướng dẫn sử dụng và bảo quản.**
11. **Khi rút bỏ hộp pin, hãy tháo chúng khỏi dụng cụ và thả bỏ ở nơi an toàn. Phải tuân thủ theo các quy định của địa phương liên quan đến việc thải bỏ pin.**
12. **Chỉ sử dụng pin cho các sản phẩm Makita chỉ định.** Lắp pin vào sản phẩm không thích hợp có thể gây ra hỏa hoạn, quá nhiệt, nổ, hoặc rò chất điện phân.
13. **Nếu dụng cụ không được sử dụng trong một thời gian dài, cần phải tháo pin ra khỏi dụng cụ.**
14. **Trong và sau khi sử dụng, hộp pin có thể bị nóng, có thể gây bỏng hoặc bỏng ở nhiệt độ thấp. Chú ý xử lý hộp pin nóng.**
15. **Không chạm vào điện cực của dụng cụ ngay sau khi sử dụng vì điện cực đủ nóng để gây bỏng.**
16. **Không để vận bào, bụi hoặc đất bám vào các điện cực, lỗ và rãnh của hộp pin.** Việc này có thể dẫn đến hiệu suất kém hoặc hỏng hóc dụng cụ hay hộp pin.
17. **Trừ khi dụng cụ hỗ trợ sử dụng gần đường dây điện cao thế, không sử dụng hộp pin gần đường dây điện cao thế.** Việc này có thể dẫn đến trực tiếp hoặc gián tiếp dụng cụ hay hộp pin.
18. **Giữ pin tránh xa trẻ em.**

Hướng dẫn quan trọng về an toàn dành cho hộp pin

1. **Trước khi sử dụng hộp pin, hãy đọc kỹ tất cả các hướng dẫn và dấu hiệu cảnh báo trên (1) bộ sạc pin, (2) pin và (3) sản phẩm sử dụng pin.**
2. **Không tháo rời hoặc làm thay đổi hộp pin.** Việc này có thể dẫn đến hỏa hoạn, quá nhiệt hoặc nổ.
3. **Nếu thời gian vận hành ngắn hơn quá mức, hãy ngừng vận hành ngay lập tức.** Điều này có thể dẫn đến rủi ro quá nhiệt, có thể gây bỏng và thậm chí là nổ.
4. **Nếu chất điện phân rơi vào mắt, hãy rửa sạch bằng nước sạch và đến cơ sở y tế ngay lập tức.** Chất này có thể khiến bạn giảm thị lực.
5. **Không để hộp pin ở tình trạng đoản mạch:**
 - (1) **Không chạm vào cực pin bằng vật liệu dẫn điện.**
 - (2) **Tránh cất giữ hộp pin trong hộp có các vật kim loại khác như đinh, tiền xu, v.v...**
 - (3) **Không được để hộp pin tiếp xúc với nước hoặc mưa.**

Đoản mạch pin có thể gây ra dòng điện lớn, quá nhiệt, có thể gây bỏng và thậm chí là hỏng hóc.

6. **Không cất giữ cũng như sử dụng dụng cụ và hộp pin ở nơi nhiệt độ có thể lên tới hoặc vượt quá 50 °C (122 °F).**
7. **Không đốt hộp pin ngay cả khi hộp pin đã bị hư hại nặng hoặc hư hỏng hoàn toàn. Hộp pin có thể nổ khi tiếp xúc với lửa.**
8. **Không đóng đinh, cắt, nghiền nát, ném, làm rơi hộp pin hoặc va vật cứng vào hộp pin.** Làm như thế có thể dẫn đến hỏa hoạn, quá nhiệt hoặc nổ.
9. **Không sử dụng pin đã hỏng.**
10. **Pin nén lithium-ion là đối tượng có yêu cầu bắt buộc theo Luật Hàng hoá Nguy hiểm.**

Đối với vận tải thương mại, ví dụ như vận tải do bên thứ ba, đại lý giao nhận, thì yêu cầu đặc biệt về đóng gói và nhãn ghi phải được giám sát.

Để chuẩn bị cho mặt hàng cần vận chuyển, cần phải tham khảo ý kiến chuyên gia về vật liệu nguy hiểm. Nếu được, vui lòng tuân thủ các quy định quốc gia chi tiết hơn.

Buộc hoặc niêm phong các tiếp điểm mở và đóng gói pin theo cách đó để nó không thể di chuyển trong bao bì.

LƯU GIỮ CÁC HƯỚNG DẪN NÀY.

⚠ THẬN TRỌNG: Chỉ sử dụng pin Makita chính hãng. Việc sử dụng pin không chính hãng Makita, hoặc pin đã được sửa đổi, có thể dẫn đến nổ pin gây ra cháy, thương tích và thiệt hại cá nhân. Nó cũng sẽ làm mất hiệu lực bảo hành của Makita dành cho dụng cụ của Makita và bộ sạc.

Mẹo duy trì tuổi thọ tối đa cho pin

1. **Sạc hộp pin trước khi pin bị xả điện hoàn toàn.** Luôn dừng việc vận hành dụng cụ và sạc pin khi bạn nhận thấy công suất dụng cụ bị giảm.
2. **Không được phép sạc lại một hộp pin đã được sạc đầy.** Sạc quá mức sẽ làm giảm tuổi thọ của pin.
3. **Sạc pin ở nhiệt độ phòng 10°C - 40°C.** Để cho hộp pin nóng nguội lại dần trước khi sạc pin.
4. **Khi không sử dụng hộp pin, hãy tháo hộp pin ra khỏi dụng cụ hoặc bộ sạc.**
5. **Sạc pin sáu tháng một lần nếu bạn không sử dụng dụng cụ trong một thời gian dài (hơn sáu tháng).**

MÔ TẢ CÁC BỘ PHẬN

► Hình1

| | | | | | | | |
|---|---------------------------------------|---|---|---|---|---|-----------------------------------|
| 1 | Bộ phận quạt | 2 | Cáp điện | 3 | Giá đỡ pin dành cho hộp pin CXT * | 4 | Giá đỡ pin dành cho hộp pin LXT * |
| 5 | Pin BL1055B * (Đặc trưng quốc gia) | 6 | Hộp pin CXT * (10,8 V - tối đa 12 V) | 7 | Hộp pin LXT * (14,4 V / tối đa 18 V) | - | - |

* Phụ kiện tùy chọn

► Hình2

| | | | | | | | |
|---|--|----|---------------------------------|---|----------------|---|----------------------|
| 1 | Túi đựng pin | 2 | Bộ phận phản xạ ánh sáng | 3 | Mũ trùm đầu | 4 | Miếng đệm vai |
| 5 | Túi lưới cho gói băng | 6 | Lỗ cáp trong túi (dưới lớp lót) | 7 | Giá đỡ dây cáp | 8 | Lỗ cáp trong lớp lót |
| 9 | Bộ phận kẹp của dây kéo khóa (để kết nối với bộ phận quạt) | 10 | Khóa trước | - | - | - | - |

LƯU Ý: Các tính năng của áo khoác dài tay/áo khoác không tay sẽ thay đổi tùy theo kiểu. Tham khảo phần thông số kỹ thuật để biết các tính năng của áo khoác dài tay/áo khoác không tay của bạn.

LẮP RÁP

Sạc pin

Hộp pin được sử dụng với giá đỡ pin









Tham khảo tài liệu hướng dẫn sử dụng của bộ sạc để biết cách sạc pin.

Pin BL1055B

Mở nắp che trên cổng USB. Kết nối cổng USB và Bộ Sạc Pin ADP07 (không đi kèm) bằng cáp USB đi kèm với pin. Sau đó cắm Bộ Sạc Pin ADP07 vào nguồn điện chính. Khi quá trình sạc pin kết thúc, tất cả đèn chỉ báo dung lượng pin sẽ sáng lên rồi tắt đi sau một khoảng thời gian nhất định. Rút phích cắm Bộ Sạc Pin và ngắt kết nối cáp USB, sau đó đóng nắp che lại.

► **Hình3:** 1. Bộ Sạc Pin ADP07 2. Pin BL1055B
3. Nắp che 4. Cáp USB

Ý nghĩa của đèn chỉ báo

| Các đèn chỉ báo | | | Dung lượng còn lại |
|--|---|---|--------------------|
|  Bật sáng |  Tắt |  Nhấp nháy | |
|  |  | | 100% |
| (Đèn sẽ tắt đi sau một khoảng thời gian nhất định.) | | | |
|  | | | 51% đến 99% |
|  | | | 26% đến 50% |
|  | | | 0% đến 25% |

Lắp hoặc tháo hộp pin

Chỉ khi sử dụng hộp pin được sử dụng với giá đỡ pin

⚠ THẬN TRỌNG: Luôn tắt thiết bị trước khi lắp hoặc tháo hộp pin.

⚠ THẬN TRỌNG: Giữ giá đỡ pin và hộp pin thật chắc khi lắp hoặc tháo hộp pin. Không giữ giá đỡ pin và hộp pin thật chắc có thể khiến chúng trượt khỏi tay và làm hư hỏng giá đỡ pin và hộp pin và/hoặc gây thương tích cá nhân.

► **Hình4:** 1. Đèn chỉ báo màu đỏ 2. Nút 3. Hộp pin
4. Giá đỡ pin

Để lắp hộp pin, đặt thẳng hàng phần chốt nhô ra của hộp pin vào phần rãnh nằm trên vỏ và trượt hộp pin vào vị trí. Lắp hộp pin vào hết mức cho đến khi nó khóa đúng vào vị trí với một tiếng tách nhỏ. Nếu bạn vẫn còn nhìn thấy đèn chỉ báo màu đỏ ở mặt trên của nút, điều đó có nghĩa là chốt vẫn chưa được khóa hoàn toàn.

Để tháo hộp pin, vừa trượt pin ra khỏi giá đỡ pin vừa nhấn nút ở phía trước hộp pin.

⚠ THẬN TRỌNG: Luôn lắp hộp pin khớp hoàn toàn vào vị trí cho đến khi không thể nhìn thấy đèn chỉ báo màu đỏ. Nếu không hộp pin có thể vô tình rơi ra khỏi giá đỡ pin, gây ra thương tích cho bạn hoặc người xung quanh bạn.

⚠ THẬN TRỌNG: Không được dùng sức để lắp hộp pin. Nếu hộp pin không nhẹ nhàng trượt vào vị trí, có nghĩa là pin vẫn chưa được lắp đúng.

Gắn giá đỡ pin

Chỉ khi sử dụng hộp pin được sử dụng với giá đỡ pin

Bạn có thể treo giá đỡ pin trên dây thắt lưng của bạn. Để ngăn giá đỡ pin vô ý bị rơi, hãy gắn dây đeo bằng lỗ xỏ dây đeo và thắt chặt nó.

► **Hình5:** 1. Lỗ xỏ dây đeo

Giá đỡ pin có chức năng chống rơi. Khi tháo giá đỡ pin khỏi thắt lưng, hãy vừa kéo giá đỡ pin lên vừa nhấn nút mở khóa.

► **Hình6:** 1. Nút mở khóa

Lắp hoặc tháo bộ phận quạt

1. Mở bộ phận kẹp của dây kéo bên trong áo khoác dài tay. (Bỏ qua bước này nếu áo khoác dài tay/áo khoác không tay của bạn không có lớp lót)

► **Hình7:** 1. Bộ phận kẹp của dây kéo

2. Xoay vòng ngược chiều kim đồng hồ và tháo ra khỏi bộ phận quạt.

► **Hình8:** 1. Bộ phận quạt 2. Vòng

3. Từ bên ngoài áo khoác dài tay/áo khoác không tay, đưa đầu của bộ phận quạt vào lỗ trong áo khoác dài tay/áo khoác không tay.

► **Hình9:** 1. Bộ phận quạt 2. Lỗ

4. Từ bên trong áo khoác dài tay/áo khoác không tay, đặt bộ phận quạt sao cho vòng dây trên bộ phận quạt đến gần dải băng trên áo khoác dài tay/áo khoác không tay nhất.

(Không bấm chặt khuy bấm trên dải băng ở bước này.)

► **Hình10:** 1. Dải băng 2. Móc

5. Từ bên trong áo khoác dài tay/áo khoác không tay, đặt vòng vào bộ phận quạt và xoay theo chiều kim đồng hồ cho đến khi dấu hình tam giác được căn chỉnh thẳng hàng với dấu "II".

► **Hình11:** 1. Vòng 2. Bộ phận quạt 3. Dấu "II" 4. Dấu hình tam giác 5. Dấu "I"

LƯU Ý: Khi xoay vòng, hãy cẩn thận không di chuyển vị trí bộ phận quạt. Giữ vị trí của móc trên bộ phận quạt gần dải băng nhất.

LƯU Ý: Đặt vòng song song với bộ phận quạt. Nếu không, bạn có thể không xoay vòng một cách trơn tru được.

LƯU Ý: Khi bạn sử dụng bộ lọc (phụ kiện tùy chọn), hãy xoay vòng cho đến khi dấu hình tam giác được căn chỉnh thẳng hàng với dấu "I". (Không thể xoay vòng đến dấu "II")

6. Xuyên dải băng qua móc trên bộ phận quạt và bấm chặt khuy bấm.

► **Hình12:** 1. Dải băng 2. Khuy bấm

⚠ THẬN TRỌNG: Luôn sử dụng dải băng và khuy bấm để gắn chặt bộ phận quạt vào áo khoác dài tay/áo khoác không tay. Nếu bộ phận quạt bị rơi, nó có thể gây thương tích, hoặc làm hỏng bộ phận quạt.

7. Gắn bộ phận quạt khác vào áo khoác dài tay/áo khoác không tay theo cách tương tự.

8. Nối cáp điện với các bộ phận quạt.

► **Hình13:** 1. Cáp điện 2. Giá đỡ dây cáp 3. Bộ phận kẹp của dây kéo

LƯU Ý: Bộ phận kẹp của dây kéo không được cung cấp kèm với áo khoác dài tay/áo khoác không tay không có lớp lót.

CHÚ Ý: Luôn kết nối cáp điện với cả hai bộ phận quạt. Quạt sẽ không hoạt động nếu chỉ kết nối cáp điện với một bộ phận quạt.

9. Làm theo một trong hai hướng dẫn dưới đây tùy thuộc vào cách cất pin khi sử dụng áo khoác dài tay/áo khoác không tay gắn quạt:

Khí cất pin trong túi đựng pin hoặc trên thắt lưng của bạn

Luồn đầu của cáp điện ra ngoài qua lỗ trên lớp lót áo khoác dài tay/áo khoác không tay như thể hiện trong hình (bỏ qua bước này nếu áo khoác dài tay/áo khoác không tay của bạn không có lớp lót). Giữ dây cáp bằng cách sử dụng giá đỡ dây cáp.

► **Hình14:** 1. Lỗ trong lớp lót 2. Cáp điện

Khí cất pin vào túi áo khoác dài tay/áo khoác không tay

(Chỉ dành cho áo khoác dài tay/áo khoác không tay có lỗ dẫn trực tiếp tới túi)

Từ bên trong áo khoác dài tay/áo khoác không tay, luồn đầu của cáp điện ra ngoài qua lỗ trên túi áo khoác dài tay/áo khoác không tay như thể hiện trong hình.

► **Hình15:** 1. Lỗ trong túi 2. Cáp điện

10. Kết nối cáp điện với giá đỡ pin / Pin BL1055B.

► **Hình16:** 1. Giá đỡ pin 2. Pin BL1055B

11. Đóng bộ phận kẹp của dây kéo lại.

(Bỏ qua bước này nếu áo khoác dài tay/áo khoác không tay của bạn không có lớp lót)

⚠ THẬN TRỌNG: Khi sử dụng áo khoác dài tay/áo khoác không tay gắn quạt, hãy cất pin vào túi một cách an toàn hoặc móc vào thắt lưng của bạn để tránh bị rớt.

Hãy làm ngược lại quy trình lắp vào khi muốn tháo ra.

Gắn bộ lọc

Phụ kiện tùy chọn

Bộ lọc bảo vệ bộ phận quạt khỏi bụi và bọt. Chúng tôi khuyên bạn nên sử dụng bộ lọc ở những làm việc nơi có bụi hoặc bọt.

Lắp đồ gá bộ lọc giữa bộ phận quạt và vòng. Xoay vòng theo chiều kim đồng hồ cho đến khi dấu hình tam giác được căn chỉnh thẳng hàng với dấu "I". Sau đó, gắn bộ lọc vào đồ gá bộ lọc.

► **Hình17:** 1. Vòng 2. Lỗ trong áo khoác dài tay/áo khoác không tay 3. Đồ gá bộ lọc 4. Bộ phận quạt 5. Bộ lọc 6. Dấu "I" 7. Dấu hình tam giác

CHÚ Ý: Hãy đảm bảo rằng bộ lọc trùm kín lên đồ gá bộ lọc. Để bảo vệ ngăn bụi và bọt tốt hơn, hãy đặt tấm chắn của bộ lọc vào giữa áo khoác dài tay/áo khoác không tay và đồ gá bộ lọc.

MÔ TẢ CHỨC NĂNG

CHÚ Ý: Áo khoác dài tay/áo khoác không tay gắn quạt có hiệu quả khi độ ẩm và nhiệt độ của luồng khí vào thấp hơn nhiệt độ và độ ẩm của bề mặt cơ thể. Áo khoác dài tay/áo khoác không tay gắn quạt có thể sẽ không hiệu quả nếu nhiệt độ và/hoặc độ ẩm không khí cao hơn nhiệt độ và độ ẩm bên trong áo khoác dài tay/áo khoác không tay.

Đèn chỉ báo mức công suất

Mức công suất hiện tại được hiển thị trong đèn chỉ báo mức công suất.

Giá đỡ pin

► **Hình18:** 1. Đèn chỉ báo mức công suất

Pin BL1055B

► **Hình19:** 1. Đèn chỉ báo mức công suất

CHÚ Ý: Đối với Pin BL1055B, đèn số 1 và số 4 sẽ nhấp nháy luân phiên nếu có sự bất thường trong kết nối giữa pin và bộ phận quạt.

Chỉ báo dung lượng pin còn lại

LƯU Ý: Tùy thuộc vào các điều kiện sử dụng và nhiệt độ môi trường xung quanh, việc chỉ báo có thể khác biệt một chút so với dung lượng thực tế.

Chỉ khi sử dụng hộp pin (có đèn báo) được sử dụng với giá đỡ pin

Ấn nút check (kiểm tra) trên hộp pin để chỉ báo dung lượng pin còn lại. Các đèn chỉ báo bật sáng lên trong vài giây.

► **Hình20:** 1. Đèn chỉ báo 2. Nút Check (kiểm tra)

Ý nghĩa của đèn chỉ báo

| Các đèn chỉ báo | | | Dung lượng còn lại |
|-----------------------|-----|-----------|------------------------|
| Bật sáng | Tắt | Nhấp nháy | |
| ■ ■ ■ ■ | | | 75% đến 100% |
| ■ ■ ■ □ | | | 51% đến 75% |
| ■ ■ □ □ | | | 25% đến 50% |
| ■ □ □ □ | | | Dưới 25% |
| ▧ □ □ □ | | | Sạc pin. |
| (Chỉ đối với pin LXT) | | | |
| ■ ■ □ □ | | | Pin có thể đã bị hỏng. |
| □ □ ■ ■ | | | |
| (Chỉ đối với pin LXT) | | | |

LƯU Ý: Chỉ đối với pin LXT:

Đèn chỉ báo (phía xa bên trái) đầu tiên sẽ nhấp nháy khi hệ thống bảo vệ pin hoạt động.

Pin BL1055B

Trong khi pin BL1055B được rút ra, hãy nhấn nút nguồn. Đèn chỉ báo dung lượng pin sẽ sáng lên trong vài giây.

► **Hình21:** 1. Đèn chỉ báo dung lượng pin

Ý nghĩa của đèn chỉ báo

| Các đèn chỉ báo | | | Dung lượng còn lại |
|-----------------|-----|-----------|--------------------|
| Bật sáng | Tắt | Nhấp nháy | |
| ■ ■ ■ | | | 51% đến 100% |
| ■ ■ □ | | | 26% đến 50% |
| ■ □ □ | | | 11% đến 25% |
| ▧ □ □ | | | Dưới 11% |
| ▧ □ ▧ | | | Bất thường về pin |

Hệ thống bảo vệ pin

Thiết bị này được trang bị hệ thống bảo vệ pin. Hệ thống này sẽ tự động ngắt nguồn điện đến động cơ để kéo dài tuổi thọ pin.

Nếu dung lượng pin còn lại quá thấp, áo khoác sẽ không hoạt động. Khi bạn bật thiết bị, động cơ sẽ chạy một lần nữa, nhưng sẽ dừng lại ngay. Trong tình huống này, hãy tháo và sạc hộp pin lại.

Luồng gió

Luồng gió bên trong áo khoác được thể hiện dưới đây.

► **Hình22**

Với áo khoác có mũ trùm, đội mũ trùm lên trên mũ bảo hiểm. Gió từ quạt sẽ đi qua mũ bảo hiểm và làm mát đầu của bạn.

► **Hình23**

Túi đựng pin

LƯU Ý: Một số áo khoác dài tay/áo khoác không tay không có túi đựng pin. Tham khảo phần thông số kỹ thuật để biết các tính năng của áo khoác dài tay/áo khoác không tay của bạn.

Sử dụng túi đựng pin để cất pin hoặc giá đỡ (có pin) bên trong áo khoác dài tay/áo khoác không tay.

► **Hình24**

⚠ THẬN TRỌNG: Luôn bấm chặt các khay bấm khi cất pin vào trong túi.

Túi lưới

LƯU Ý: Một số áo khoác dài tay/áo khoác không tay không có túi lưới. Tham khảo phần thông số kỹ thuật để biết các tính năng của áo khoác dài tay/áo khoác không tay của bạn.

Sử dụng túi lưới ở mặt sau của áo khoác dài tay/áo khoác không tay để đựng gói băng.

► **Hình25:** 1. Túi lưới

Khóa trước

LƯU Ý: Một số áo khoác dài tay/áo khoác không tay không có khóa trước. Tham khảo phần thông số kỹ thuật để biết các tính năng của áo khoác dài tay/áo khoác không tay của bạn.

Điều chỉnh chiều dài dây đai theo kích cỡ của bạn. Nếu dây đai rũ xuống, hãy luồn nó qua (các) vòng dây đai như trong hình.

► **Hình26:** 1. Dây đai 2. Vòng dây đai

Kết nối thiết bị USB

⚠ THẬN TRỌNG: Chỉ kết nối những thiết bị tương thích với cổng cấp điện USB. Không làm như vậy có thể làm hỏng giá đỡ pin.

CHÚ Ý: Trước khi kết nối thiết bị USB, luôn sao lưu dữ liệu trên thiết bị USB. Không làm như vậy có thể gây mất dữ liệu của bạn.

CHÚ Ý: Giá đỡ pin và Pin BL1055B có thể không cấp điện cho một số thiết bị USB.

CHÚ Ý: Khi không sử dụng hoặc sau khi sạc, hãy tháo cáp USB và đóng nắp che.

LƯU Ý: Dòng điện đầu ra thực tế sẽ khác nhau tùy thuộc vào thiết bị USB cần kết nối.

LƯU Ý: Năng lượng pin sẽ bị tiêu thụ trong khi nút nguồn bật. Hãy luôn tắt công tắc khi không sử dụng.

LƯU Ý: Khi sạc nhiều thiết bị USB liên tiếp, chờ khoảng 10 giây sau khi thiết bị trước hoàn tất sạc trước khi bắt đầu sạc thiết bị tiếp theo.

Giá đỡ pin (kèm theo pin) và Pin BL1055B có thể đóng vai trò là nguồn cấp điện bên ngoài cho các thiết bị USB.

1. Mở nắp che và kết nối cáp USB (không đi kèm) với cổng USB. Sau đó kết nối đầu còn lại của dây cáp với thiết bị.

2. Bắt đầu sạc:

— Khi sử dụng giá đỡ pin (có pin), hãy nhấn và giữ nút nguồn cho đến khi đèn chỉ báo mức công suất sáng lên. Pin cấp nguồn DC 5 V, 2,4 A.

Giá đỡ pin (có pin)

► **Hình27:** 1. Nắp che 2. Cổng USB

— Khi sử dụng Pin BL1055B, hãy nhấn nút nguồn. Pin cấp nguồn DC 5 V, 1,5 A.

Pin BL1055B

► **Hình28:** 1. Nút nguồn 2. Cổng USB

VẬN HÀNH

Để bật quạt, nhấn và giữ nút nguồn. Quạt sẽ khởi động ở mức công suất tối đa 4. Mỗi lần bạn nhấn nút nguồn, mức công suất sẽ thay đổi từ 4 thành 1 và quay trở về 4. Đèn chỉ báo mức công suất hiển thị cài đặt hiện tại. Để tắt, hãy nhấn và giữ nút nguồn lần nữa.

Giá đỡ pin

► **Hình29:** 1. Đèn chỉ báo mức công suất 2. Nút nguồn

Pin BL1055B

► **Hình30:** 1. Đèn chỉ báo mức công suất 2. Nút nguồn

BẢO TRÌ

⚠ THẬN TRỌNG: Luôn đảm bảo rằng áo khoác dài tay đã được tắt công tắc và hộp pin hoặc Pin BL1055B đã được tháo ra trước khi cố gắng thực hiện việc kiểm tra hay bảo dưỡng.

⚠ THẬN TRỌNG: Nếu áo khoác dài tay/áo khoác không tay không bật được hoặc có bất kỳ lỗi nào xảy ra khi hộp pin đã được sạc đầy, hãy làm sạch tiếp xúc của giá đỡ pin và hộp pin. Nếu áo khoác dài tay vẫn không hoạt động đúng, ngừng sử dụng áo khoác dài tay/áo khoác không tay và liên hệ trung tâm dịch vụ được ủy quyền của chúng tôi.

CHÚ Ý: Không được phép dùng xăng, ét xăng, dung môi, cồn hoặc hóa chất tương tự. Có thể xảy ra hiện tượng mất màu, biến dạng hoặc nứt vỡ.

Để đảm bảo ĐỘ AN TOÀN và ĐỘ TIN CẬY của sản phẩm, việc sửa chữa hoặc bất cứ thao tác bảo trì, điều chỉnh nào đều phải được thực hiện bởi các Trung tâm Dịch vụ Nhà máy hoặc Trung tâm được Makita Ủy quyền và luôn sử dụng các phụ tùng thiết bị thay thế của Makita.

Làm sạch bộ phận quạt

Lau sạch vết bẩn, bụi, dầu, mỡ, v.v... bằng vải khô sạch. Để làm sạch cánh quạt, hãy tháo vòng và tháo vỏ ra khỏi nắp che bằng tuốc-nơ-vít mũi dẹp hoặc dụng cụ tương tự. Có ba móc treo trên vỏ. Tháo từng chút một theo vòng xoay để không làm gãy các móc treo.

► **Hình31:** 1. Tuốc-nơ-vít mũi dẹp 2. Vỏ 3. Nắp che 4. Lỗ 5. Cánh quạt 6. Móc treo

CHÚ Ý: Không tháo cánh quạt ra khỏi vỏ.

CHÚ Ý: Không rửa bộ phận quạt bằng nước.

Đảm bảo gắn lại nắp che sau khi làm sạch cánh quạt. Đặt nắp che lên vỏ như thể hiện trong hình (lưu ý hướng của logo trên nắp che và móc trên vỏ). Căn chỉnh các móc treo với các lỗ sau đó gắn chúng lên.

► **Hình32:** 1. Logo trên nắp che 2. Móc treo vỏ

Làm sạch áo khoác dài tay/áo khoác không tay

- Tháo (các) bộ phận quạt và pin hoặc giá đỡ pin khỏi áo khoác dài tay/áo khoác không tay trước khi giặt.
- Làm theo các hướng dẫn trên thẻ.
- Sản phẩm bằng cotton có thể bị co lại khi giặt xong.
- Không giặt áo khoác dài tay/áo khoác không tay chung với quần áo khác. Làm như vậy có thể làm áo bị phai màu hoặc đổi màu.
- Sử dụng túi lưới giặt khi giặt máy.
- Không sử dụng chất làm mềm vải.
- Chỉ sử dụng chất tẩy rửa trung tính.
- Sau khi giặt, lấy áo khoác dài tay/áo khoác không tay ra khỏi máy giặt ngay lập tức.
- Đảm bảo đã đóng dây kéo khóa trước khi giặt.

Đổi với áo khoác dài tay có bộ phận phản xạ ánh sáng

- Hiệu suất của các bộ phận phản xạ ánh sáng có thể bị suy yếu khi giặt.
- Máy giặt ở mức quay nhẹ (Số lần giặt tối đa là 5 lần.)
- Số lần giặt không phải là yếu tố quyết định tuổi thọ của áo khoác.
- Tuổi thọ của áo khoác thay đổi theo cách sử dụng, cách chăm sóc và tình trạng cất giữ.
- Nếu bộ phận phản xạ ánh sáng hoặc quần áo đã bị hư hỏng, thay thế áo khoác mới.

LƯU Ý: Các tính năng của áo khoác dài tay/áo khoác không tay sẽ thay đổi tùy theo kiểu. Tham khảo phần thông số kỹ thuật để biết các tính năng của áo khoác dài tay/áo khoác không tay của bạn.

PHỤ KIỆN TỰY CHỌN

⚠THẬN TRỌNG: Các phụ kiện hoặc phụ tùng gắn thêm này được khuyến cáo sử dụng với dụng cụ Makita của bạn theo như quy định trong hướng dẫn này. Việc sử dụng bất cứ phụ kiện hoặc phụ tùng gắn thêm nào khác đều có thể gây ra rủi ro thương tích cho người. Chỉ sử dụng phụ kiện hoặc phụ tùng gắn thêm cho mục đích đã quy định sẵn của chúng.

Nếu bạn cần bất kỳ sự hỗ trợ nào để biết thêm chi tiết về các phụ tùng này, hãy hỏi Trung tâm Dịch vụ của Makita tại địa phương của bạn.

- Bộ lọc
- Pin BL1055B
- Giá đỡ pin
- Cáp chuyển đổi cho áo khoác dài tay/áo khoác không tay gắn quạt
- Cáp chuyển đổi cho áo khoác dài tay/áo khoác không tay/chăn làm ấm
- Pin và bộ sạc chính hãng của Makita

LƯU Ý: Một số mục trong danh sách có thể được bao gồm trong gói dụng cụ làm phụ kiện tiêu chuẩn. Các mục này ở mỗi quốc gia có thể khác nhau.

ข้อมูลจำเพาะ

ข้อมูลจำเพาะของแจ็กเก็ต / เสื้อกั๊ก

| ประเภท | | แจ็กเก็ต | | | | | | เสื้อกั๊ก | |
|-----------|---|-------------------|---------|---------|-------------|-------------------|-------------------|-----------|---------|
| รุ่น | | DFJ212A | DFJ213A | DFJ214A | DFJ216A | DFJ312A | DFJ416A | DFV210A | DFV214A |
| วัสดุ | ชั้นนอก | โพลีเอสเตอร์ 100% | | | | คอตตอน 100% | โพลีเอสเตอร์ 100% | | |
| | ซับใน | โพลีเอสเตอร์ 100% | | - | คอตตอน 100% | โพลีเอสเตอร์ 100% | | | |
| | กระเป่า | โพลีเอสเตอร์ 100% | | | | คอตตอน 100% | โพลีเอสเตอร์ 100% | | |
| | บุรอนไหล่ | - | | | | ไนลอน 100% | - | | |
| คุณสมบัติ | กระเป่าใส่แบตเตอรี่ | ✓ | ✓ | ✓ | ✓ | ✓ | ✓ | ✓ | - |
| | ช่องสำหรับเข้าถึงกระเป่าโดยตรง (อยู่ที่ซับใน) | - | - | - | - | - | - | - | ✓ |
| | กระเป่าตาข่ายสำหรับถุงน้ำแข็ง | - | - | - | ✓ | - | - | - | - |
| | หมวกคลุมศีรษะ | ✓ | - | - | - | - | - | - | - |
| | บุรอนไหล่ | - | - | - | - | - | ✓ | - | - |
| | ปลอกที่ถอดได้ | - | - | - | - | ✓ | ✓ | - | - |
| | แถบสะท้อนแสง | - | - | ✓ | - | - | - | - | - |
| | เข็มขัดด้านหน้า | - | - | - | - | - | - | - | ✓ |

ข้อมูลจำเพาะของช่องใส่แบตเตอรี่ (อุปกรณ์เสริม)

| รุ่น | ช่องใส่แบตเตอรี่สำหรับตลับแบตเตอรี่ LXT | ช่องใส่แบตเตอรี่สำหรับตลับแบตเตอรี่ CXT |
|---------------------|--|---|
| แรงดันไฟฟ้าที่กำหนด | D.C. 14.4 V D.C. 18 V | D.C. 10.8 V - 12 V สูงสุด |
| ตลับแบตเตอรี่ | BL1415N / BL1430B / BL1440 / BL1460B BL1815N / BL1820B / BL1830B / BL1840B / BL1850B / BL1860B | BL1016 / BL1021B / BL1041B |
| พอร์ตจ่ายไฟ USB | D.C. 5 V, 2.4 A, Type A | |

ข้อมูลจำเพาะของแบตเตอรี่ BL1055B (อุปกรณ์เสริม)

| | |
|---------------------|-------------------------|
| แรงดันไฟฟ้าที่กำหนด | D.C. 10.8 V |
| พอร์ตจ่ายไฟ USB | D.C. 5 V, 1.5 A, Type C |

- เนื่องจากการค้นคว้าวิจัยและพัฒนาอย่างต่อเนื่อง ข้อมูลจำเพาะในเอกสารฉบับนี้อาจเปลี่ยนแปลงได้โดยไม่ต้องแจ้งให้ทราบล่วงหน้า
- ข้อมูลจำเพาะและตลับแบตเตอรี่อาจแตกต่างกันไปในแต่ละประเทศ
- ตลับแบตเตอรี่และเครื่องชาร์จบางรายการที่แสดงอยู่ด้านบนอาจไม่มีวางจำหน่ายขึ้นอยู่กับภูมิภาคที่คุณอาศัยอยู่

⚠ คำเตือน: ใช้ตลับแบตเตอรี่ที่ระบุไว้ข้างบนเท่านั้น การใช้ตลับแบตเตอรี่ประเภทอื่นอาจก่อให้เกิดความเสี่ยงที่จะได้รับบาดเจ็บและ/หรือเกิดไฟไหม้

เวลาการทำงาน

หน่วย: ชั่วโมง

| ความเร็วลม | แบตเตอรี่ | | | |
|------------|-----------|---------|---------|---------|
| | BL1055B | BL1041B | BL1430B | BL1860B |
| 4 | 6.5 | 4.0 | 4.5 | 10.0 |
| 3 | 10.0 | 6.5 | 7.0 | 16.0 |
| 2 | 18.5 | 12.0 | 13.5 | 29.5 |
| 1 | 40.5 | 27.5 | 31.0 | 68.0 |

- เวลาการทำงานในตารางด้านบนเป็นคำแนะนำอย่างคร่าวๆ ซึ่งอาจแตกต่างกันไปตามเวลาการทำงานจริง
- เวลาการทำงานอาจแตกต่างกันไปตามชนิดของแบตเตอรี่ สถานะการชาร์จ และเงื่อนไขการใช้

สัญลักษณ์

สัญลักษณ์บางสัญลักษณ์ต่อไปนี้ใช้สำหรับผลิตภัณฑ์นี้ โปรดศึกษาความหมายของสัญลักษณ์ให้เข้าใจก่อนการใช้งาน



อ่านคู่มือการใช้งาน



ซักในเครื่องซักผ้าที่อุณหภูมิต่ำกว่า 30°C โดยใช้รอบการหมุนแบบเบา



ซักในเครื่องซักผ้าที่อุณหภูมิต่ำกว่า 40°C โดยใช้รอบการหมุนแบบเบา



ซักในเครื่องซักผ้าในบ้านหรือเครื่องซักผ้าหยอดเหรียญที่รอบเบา



ห้ามใช้สารฟอกขาว



ตากให้แห้งในที่ร่ม



ห้ามบิด



รีดโดยใช้อุณหภูมิต่ำ (ไม่เกิน 110°C)



รีดโดยใช้อุณหภูมิปานกลาง (ไม่เกิน 150°C)



ห้ามรีด



ห้ามซักแห้ง



อย่าอบแห้ง



สำหรับประเทศในสหภาพยุโรปเท่านั้น เนื่องจากในอุปกรณ์มีส่วประกอบอันตราย ชยะจำพวกอุปกรณ์ไฟฟ้า และอิเล็กทรอนิกส์ แบตเตอรี่ และหม้อแปลงเตาจึงอาจส่งผลกระทบต่อสิ่งแวดล้อมและสุขภาพของมนุษย์ในเชิงลบ

อย่าทิ้งเครื่องใช้ไฟฟ้าและอิเล็กทรอนิกส์ หรือแบตเตอรี่ร่วมกับวัสดุเหลือทิ้งในครัวเรือน!

เพื่อให้เป็นไปตามกฎระเบียบของยุโรป ว่าด้วยขยะจำพวกอุปกรณ์ไฟฟ้าและอิเล็กทรอนิกส์ และหม้อสะสมไฟฟ้าและแบตเตอรี่ และขยะจำพวกหม้อสะสมไฟฟ้าและแบตเตอรี่ รวมถึงการบังคับใช้ตามกฎหมายภายในประเทศ ควรมีการจัดเก็บขยะจำพวกอุปกรณ์ไฟฟ้า แบตเตอรี่ และหม้อสะสมไฟฟ้าแยกต่างหากและส่งไปยังจุดรับขยะต่างหากในเขตเทศบาลซึ่งมีการดำเนินการตามระเบียบว่าด้วยการดูแลสิ่งแวดล้อม

โดยระบุด้วยสัญลักษณ์เส้นคาดขวางรูปถังขยะแบบมีล้อไว้บนอุปกรณ์

จุดประสงค์การใช้งาน

แจ็กเก็ตเสื้อกักตักพัฒลมมีไว้เพื่อทำให้อุณหภูมิร่างกายของคุณเย็นลง

คำเตือนด้านความปลอดภัย

คำเตือน: อ่านคำเตือนด้านความปลอดภัยและคำแนะนำทั้งหมด การไม่ปฏิบัติตามคำเตือนและคำแนะนำดังกล่าวอาจส่งผลให้ไฟฟ้าช็อต ไฟไหม้ และ/หรือได้รับบาดเจ็บร้ายแรง

เก็บรักษาคำเตือนและคำแนะนำทั้งหมดไว้เป็นข้อมูลอ้างอิงในอนาคต

1. อย่าใช้แจ็กเก็ตติดพัฒลมเมื่ออุณหภูมิสูงกว่า 50°C (122°F) รวมทั้งหลีกเลี่ยงการใช้ในที่ที่มีความชื้นสูง เนื่องจากอาจทำให้เกิดการบาดเจ็บจากไฟไหม้
2. อย่าสวมใส่แจ็กเก็ตทับผิวหนังโดยตรง
3. อย่าใช้แจ็กเก็ตในขณะที่คุณอยู่ในสภาพมีนเมาจากยาเสพติด เครื่องดื่ม แอลกอฮอล์ หรือการขับขี่
4. อย่านอนในขณะที่ยังสวมใส่แจ็กเก็ตติดพัฒลมอยู่ อุณหภูมิร่างกายที่ลดลงอย่างรวดเร็วอาจเป็นอันตรายต่อสุขภาพของคุณ

5. เด็ก ผู้มีความบกพร่องทางร่างกาย หรือผู้ที่บกพร่องด้านความไวต่ออุณหภูมิ เช่น ผู้ที่มีระบบไหลเวียนโลหิตต่ำ ไม่ควรใช้แจ็กเก็ตนี้
6. อุปกรณ์นี้ไม่ใช่ออกแบบมาเพื่อใช้ทางการแพทย์ในโรงพยาบาล
7. อย่าใช้แจ็กเก็ตนอกเหนือจากวัตถุประสงค์ที่ระบุไว้
8. ถ้าคุณรู้สึกถึงความผิดปกติ ให้ปิดสวิตช์แจ็กเก็ตและถอดช่องใส่แบตเตอรี่ออกทันที
9. ถ้าพบความผิดปกติใดๆ โปรดติดต่อศูนย์บริการในพื้นที่ของคุณเพื่อรับการซ่อม
10. อย่าเหยียบ ขว้าง หรือใช้แจ็กเก็ตติดพัฒลมอย่างไม่เหมาะสม
11. อย่านำนิ้วมือหรือวัตถุแปลกปลอมใดๆ เข้าไปในพัฒลม
12. อย่านำอากาศอัดใส่พัฒลม อย่านำก้อนแข็ง แห่ย์เข้าไปในพัฒลม เนื่องจากอาจทำให้พัฒลมและมอเตอร์เสียหายได้
13. อย่าเปิดใช้งานแจ็กเก็ตติดพัฒลมถ้าคุณไม่ได้กำลังสวมใส่อยู่
14. อย่าใช้แจ็กเก็ตติดพัฒลมในสถานที่ที่อาจเกิดไฟไหม้หรือประกายไฟได้ พัฒลมอาจติดไฟหรือประกายไฟและทำให้เกิดไฟไหม้หรือการบาดเจ็บจากไฟไหม้ได้
15. เลือกระดับความเร็วของพัฒลมที่เหมาะสมกับสภาพแวดล้อมในการใช้เพื่อให้ใช้ได้อย่างต่อเนื่อง
16. อย่าสวมใส่เสื้อผ้าใดๆ ทับแจ็กเก็ตติดพัฒลม
17. ดูแลรักษาป้ายที่ติดบนพัฒลมอย่างดี หากตัวอักษรเบลหรือขาดหายไป โปรดติดต่อศูนย์บริการในพื้นที่ของคุณเพื่อรับการซ่อม
18. ก่อนนำไปซัก ให้ถอดพัฒลมและช่องใส่แบตเตอรี่ออกจากนั้นนำดัลับแบตเตอรี่ออก ซักส่วนแจ็กเก็ตเท่านั้น
19. อย่าวางแจ็กเก็ตติดพัฒลมไว้ในสถานที่ที่อาจเกิดความร้อนสูง เช่น รถยนต์ที่จอดไว้กลางแจ้ง เนื่องจากอาจทำให้ชิ้นส่วนพลาสติกละลายหรือเสียหายได้
20. หากต้องเก็บรักษาไว้เป็นเวลานาน ให้นำช่องใส่แบตเตอรี่และดัลับแบตเตอรี่ออกจากแจ็กเก็ต และถอดดัลับแบตเตอรี่ออกจากช่องใส่แบตเตอรี่
21. เมื่อจัดเก็บ ให้เก็บแจ็กเก็ตติดพัฒลม พัฒลม ช่องใส่แบตเตอรี่ และดัลับแบตเตอรี่ไว้ห่างจากมือเด็ก
22. อย่าใช้แจ็กเก็ตติดพัฒลมขณะที่การเชื่อมหรือการทำงานอื่นๆ ที่ใช้เครื่องขัด ประกายไฟที่เข้าไปในพัฒลม อาจทำให้เกิดเพลิงไหม้ได้
23. ดูแลไม่ให้เส้นผมและเสื้อผ้าอยู่ใกล้พัฒลม เนื่องจากอาจเข้าไปติดในชิ้นส่วนที่เคลื่อนที่ได้ของพัฒลม

ความปลอดภัยด้านไฟฟ้า

1. อย่าให้เด็กเกิดถูกฝนหรืออยู่ในสภาพเปียกชื้น เก็บชิ้นส่วนไฟฟ้าให้ห่างจากน้ำ น้ำที่ไหลเข้าไปในแจ็กเก็ตจะเพิ่มความเสี่ยงในการเกิดไฟฟ้าช็อต
2. อย่าจับสายไฟและแบตเตอรี่ด้วยมือที่เปียกหรือเปื้อนน้ำมัน
3. อย่าใช้แจ็กเก็ตติดพัดลมในขณะที่สายไฟหรือปลั๊กชำรุดอยู่
4. อย่าใช้สายไฟอย่างไม่เหมาะสม อย่าใช้สายไฟเพื่อยก ding หรือถอดปลั๊กแจ็กเก็ต เก็บสายไฟให้ห่างจากความร้อน น้ำมัน และขอบวัตถุที่แหลมคม
5. อย่าวางสายไฟที่ไม่ได้เชื่อมต่อทิ้งไว้ในขณะที่ยังมีการจ่ายไฟจากแบตเตอรี่ เนื่องจากเด็กเล็กอาจนำปลั๊กที่มีกระแสไฟฟ้าไหลผ่านเข้าปากและทำให้ได้รับบาดเจ็บได้
6. อย่าใช้สายไฟที่ให้มากับอุปกรณ์ไฟฟ้าอื่น นอกจากพัดลมของแจ็กเก็ต
7. อย่าสอดตะปู ลวด หรือสิ่งของอื่นๆ เข้าไปในพอร์ต USB จ่ายไฟ เนื่องจากอาจทำให้เกิดไฟฟ้าลัดวงจรซึ่งทำให้เกิดควันหรือไฟไหม้ได้
8. อย่าเชื่อมต่อแหล่งจ่ายไฟเข้ากับพอร์ต USB พอร์ต USB ออกแบบมาเพื่อใช้สำหรับชาร์จอุปกรณ์ที่มีแรงดันไฟฟ้าต่ำเท่านั้น ปิดพอร์ต USB ด้วยฝาปิดเสมอ เมื่อไม่ได้ใช้ชาร์จอุปกรณ์แรงดันไฟฟ้าต่ำ มิฉะนั้น อาจเสี่ยงที่จะเกิดไฟไหม้ได้
9. ป้องกันไม่ให้เกิดการใช้งานโดยไม่ได้ตั้งใจ ตรวจสอบว่าสวิตช์อยู่ในตำแหน่งปิด ก่อนเชื่อมต่อปลั๊กแบตเตอรี่ ยก หรือเคลื่อนย้ายเครื่องมือ การเคลื่อนย้ายเครื่องมือโดยที่นิ้วมือของคุณอยู่บนสวิตช์หรือการจ่ายไฟแก่เครื่องมือโดยที่สวิตช์เปิดอยู่จะทำให้เกิดอุบัติเหตุได้
10. ถอดปลั๊กแบตเตอรี่ออกจากเครื่องมือหรือปรับสวิตช์ไปที่ตำแหน่งล็อกหรือปิดก่อนทำการปรับ เปลี่ยนอุปกรณ์เสริม หรือเก็บเครื่องมือ มาตรการความปลอดภัยเชิงป้องกันดังกล่าวจะลดความเสี่ยงในการเริ่มใช้งานเครื่องมือโดยไม่ได้ตั้งใจ
11. ชาร์จไฟใหม่ด้วยเครื่องชาร์จที่ระบุโดยผู้ผลิตเท่านั้น เครื่องชาร์จที่เหมาะสมสำหรับชุดแบตเตอรี่ประเภทหนึ่ง อาจเสี่ยงที่จะเกิดไฟไหม้หากนำไปใช้กับชุดแบตเตอรี่อีกประเภทหนึ่ง
12. ใช้เครื่องชาร์จกับแบตเตอรี่ที่ระบุไว้เท่านั้น การใช้แบตเตอรี่ประเภทอื่นอาจทำให้เสี่ยงที่จะได้รับบาดเจ็บและเกิดไฟไหม้

13. เมื่อไม่ใช้งานชุดแบตเตอรี่ ให้เก็บห่างจากวัตถุที่เป็นโลหะอื่นๆ เช่น คลิปหนีบกระดาษ เหรียญ กุญแจ กรรไกรตัดเล็บ สกรู หรือวัตถุที่เป็นโลหะขนาดเล็กอื่นๆ ที่สามารถเชื่อมต่อกับขั้วหนึ่งกับอีกขั้วหนึ่งได้ การลัดวงจรขั้วแบตเตอรี่อาจทำให้อ่อนจัดหรือเกิดไฟไหม้
14. ในกรณีที่ใช้งานไม่ถูกต้อง อาจมีของเหลวไหลออกจากแบตเตอรี่ ให้หลีกเลี่ยงการสัมผัส หากสัมผัสโดนของเหลวโดยไม่ได้ตั้งใจ ให้ล้างออกด้วยน้ำ หากของเหลวกระเด็นเข้าตา ให้รีบไปพบแพทย์ ของเหลวที่ไหลออกจากแบตเตอรี่อาจทำให้ผิวหนังระคายเคืองหรือไหม้
15. อย่าใช้ชุดแบตเตอรี่หรือพัดลมที่เสียหายหรือมีการแก้ไข แบตเตอรี่ที่เสียหายหรือมีการแก้ไขอาจทำให้เกิดสิ่งที่คาดไม่ถึงได้ เช่น ไฟไหม้ ระเบิด หรือเสี่ยงต่อการบาดเจ็บ
16. อย่าให้ชุดแบตเตอรี่หรือพัดลมอยู่ใกล้ไฟหรือบริเวณที่มีอุณหภูมิสูงเกินไป หากโดนไฟหรืออุณหภูมิสูงเกิน 130 °C อาจทำให้เกิดการระเบิดได้
17. กรุณาปฏิบัติตามคำแนะนำสำหรับการชาร์จไฟ และห้ามชาร์จชุดแบตเตอรี่หรือพัดลมในบริเวณที่มีอุณหภูมินอกเหนือไปจากที่ระบุในคำแนะนำ การชาร์จไฟที่ไม่เหมาะสมหรืออุณหภูมิที่นอกเหนือไปจากช่วงอุณหภูมิที่ระบุอาจทำให้แบตเตอรี่เสียหายและเป็นการเพิ่มความเสี่ยงในการเกิดไฟไหม้ได้
18. ให้บริการซ่อมโดยผู้ซ่อมที่ผ่านการรับรอง โดยใช้ชิ้นส่วนทดแทนที่เหมือนกันเท่านั้น เพราะจะทำให้การใช้อย่างปลอดภัยที่มีความปลอดภัย
19. ห้ามตัดแปลงหรือพยายามซ่อมเครื่องมือหรือชุดแบตเตอรี่ด้วยตนเอง ยกเว้นทำตามคำแนะนำในการใช้งานและการดูแลรักษาที่ระบุไว้ในคู่มือการใช้และการดูแลรักษา

คำแนะนำเพื่อความปลอดภัยที่สำคัญสำหรับ ปลั๊กแบตเตอรี่

1. ก่อนใช้งานปลั๊กแบตเตอรี่ ให้อ่านคำแนะนำและเครื่องหมายเตือนทั้งหมดบน (1) เครื่องชาร์จแบตเตอรี่ (2) แบตเตอรี่ และ (3) ตัวผลิตภัณฑ์ที่ใช้แบตเตอรี่
2. อย่าถอดแยกชิ้นส่วนหรือทำการดัดแปลงปลั๊กแบตเตอรี่ เนื่องจากอาจทำให้เกิดไฟไหม้ ความร้อนที่สูงเกินไป หรือระเบิดได้
3. หากระยะเวลาที่เครื่องทำงานสั้นเกินไป ให้หยุดใช้งานทันที เนื่องจากอาจมีความเสี่ยงที่จะร้อนจัด ไหม้หรือระเบิดได้

4. หากสารละลายอิเล็กโทรไลต์กระเด็นเข้าตา ให้ล้างออกด้วยน้ำเปล่าและรีบไปพบแพทย์ทันที เนื่องจากอาจทำให้ตาบอด
5. ห้ามลัดวงจรตลับแบตเตอรี่:
 - (1) ห้ามแตะขั้วกับวัตถุที่เป็นสื่อนำไฟฟ้าใดๆ
 - (2) หลีกเลี่ยงการเก็บตลับแบตเตอรี่ไว้ในภาชนะร่วมกับวัตถุที่เป็นโลหะ เช่น กรรไกรตัดเล็บ เหรียญ ฯลฯ
 - (3) อย่าให้ตลับแบตเตอรี่ถูกน้ำหรือฝน แบตเตอรี่ลัดวงจรอาจทำให้เกิดการไหลของกระแสไฟฟ้า ร้อนจัดไหม้หรือเสียหายได้
6. ห้ามเก็บและใช้เครื่องมือและตลับแบตเตอรี่ไว้ในสถานที่ที่มีอุณหภูมิสูงถึงหรือเกิน 50 °C (122 °F)
7. ห้ามเผาตลับแบตเตอรี่ทิ้ง แม้ว่าแบตเตอรี่จะเสียหายจนใช้การไม่ได้หรือเสื่อมสภาพแล้ว ตลับแบตเตอรี่อาจจะระเบิดในกองไฟ
8. อย่าดองตะปู ตัด บด ข้าง หรือทำตลับแบตเตอรี่หล่นพื้น หรือกระแทกตลับแบตเตอรี่กับวัตถุของแข็ง การกระทำดังกล่าวอาจส่งผลให้เกิดไฟไหม้ ความร้อนที่สูงเกินไป หรือระเบิดได้
9. ห้ามใช้แบตเตอรี่ที่เสียหาย
10. แบตเตอรี่ที่เติมไอออนที่มีน้ำหนักเป็นไปตามข้อกำหนดของ Dangerous Goods Legislation สำหรับการขนส่งเพื่อการพาณิชย์ เช่น โดยบุคคลที่สาม ตัวแทนขนส่งสินค้า จะต้องตรวจสอบข้อกำหนดพิเศษในด้านการบรรจุหีบห่อหรือการติดป้ายสินค้าในการเตรียมสินค้าที่จะขนส่ง ให้ปรึกษาผู้เชี่ยวชาญด้านวัตถุอันตราย โปรดตรวจสอบข้อกำหนดในประเทศที่อาจมีรายละเอียดอื่นๆ เพิ่มเติม ให้ติดเทปหรือปิดหน้าสัมผัสและห่อแบตเตอรี่ในลักษณะที่แบตเตอรี่จะไม่เคลื่อนที่ไปมาในหีบห่อ
11. เมื่อกำจัดตลับแบตเตอรี่ ให้ถอดตลับแบตเตอรี่ออกจากเครื่องมือและกำจัดในสถานที่ที่ปลอดภัย ปฏิบัติตามข้อบังคับในท้องถิ่นที่เกี่ยวกับการกำจัดแบตเตอรี่
12. ใช้แบตเตอรี่กับผลิตภัณฑ์ที่ระบุโดย Makita เท่านั้น การติดตั้งแบตเตอรี่ในผลิตภัณฑ์ที่ไม่ใช่ตามที่ระบุอาจทำให้เกิดไฟไหม้ ความร้อนสูง ระเบิด หรืออิเล็กทรอนิกส์ตัวรับไหลได้
13. หากไม่ใช่เครื่องมือเป็นระยะเวลานาน จะต้องถอดแบตเตอรี่ออกจากเครื่องมือ
14. ในระหว่างและหลังการใช้งาน ตลับแบตเตอรี่อาจร้อนซึ่งอาจลวกผิวหรือทำให้ผิวไหม้ที่อุณหภูมิต่ำได้ โปรดระมัดระวังในการจัดการกับแบตเตอรี่ที่ร้อน
15. อย่าสัมผัสขั้วของเครื่องมือทันทีหลังจากการใช้งาน เนื่องจากอาจมีความร้อนพอที่จะทำให้ผิวไหม้ได้
16. อย่าปล่อยให้เศษวัสดุ ฝุ่นผง หรือดินเข้าไปติดอยู่ในขั้ว รู และร่องของตลับแบตเตอรี่ เนื่องจากอาจทำให้เครื่องมือหรือตลับแบตเตอรี่ที่มีประสิทธิภาพลดลงหรือเสียหายได้
17. หากเครื่องมือไม่รองรับสายไฟแรงดันสูง อย่าใช้ตลับแบตเตอรี่ใกล้กับสายไฟแรงดันสูง เนื่องจากเครื่องมือหรือตลับแบตเตอรี่อาจทำงานผิดปกติหรือเสียหายได้
18. เก็บแบตเตอรี่ให้ห่างจากเด็ก

ปฏิบัติตามคำแนะนำเหล่านี้

⚠️ ข้อควรระวัง: ใช้แบตเตอรี่ของแท้จาก Makita เท่านั้น การใช้แบตเตอรี่ Makita ที่ไม่แท้ หรือแบตเตอรี่ที่ถูกเปลี่ยน อาจทำให้แบตเตอรี่ระเบิด ก่อให้เกิดเพลิงลุกไหม้ การบาดเจ็บ และความเสียหายได้ และจะทำให้การรับประกันของ Makita สำหรับเครื่องมือและแท่นชาร์จของ Makita เป็นโมฆะด้วย

เคล็ดลับในการรักษาอายุการใช้งานของแบตเตอรี่ให้ยาวนานที่สุด

1. ชาร์จตลับแบตเตอรี่ก่อนที่ไฟจะหมด หยุดการใช้งานแล้วชาร์จประจุไฟฟ้าใหม่ทุกครั้งเมื่อคุณรู้สึกว่าคุณปรารถนีกำลังลดลง
2. อย่าชาร์จตลับแบตเตอรี่ที่มีไฟเต็มแล้ว การชาร์จประจุไฟฟ้ามากเกินไปอาจจะทำให้อายุการใช้งานของตลับแบตเตอรี่สั้นลง
3. ชาร์จประจุไฟฟ้าตลับแบตเตอรี่ในห้องที่มีอุณหภูมิระหว่าง 10 °C - 40 °C ปล่อยให้ตลับแบตเตอรี่เย็นลงก่อนที่จะชาร์จไฟ
4. เมื่อไม่ใช่ตลับแบตเตอรี่ ให้ถอดออกจากเครื่องมือหรือเครื่องชาร์จ
5. ชาร์จไฟตลับแบตเตอรี่หากคุณไม่ต้องการใช้เป็นเวลา (เกินกว่าหกเดือน)

คำอธิบายชิ้นส่วนต่างๆ

▶ หมายเลข 1

| | | | | | | | |
|---|---|---|---|---|---|---|---|
| 1 | พัลลัม | 2 | สายไฟ | 3 | ช่องใส่แบตเตอรี่สำหรับ ตลับแบตเตอรี่ CXT * | 4 | ช่องใส่แบตเตอรี่สำหรับ ตลับแบตเตอรี่ LXT * |
| 5 | แบตเตอรี่ BL1055B * (กำหนดเฉพาะประเทศ) | 6 | ตลับแบตเตอรี่ CXT * (10.8 V - 12 V สูงสุด) | 7 | ตลับแบตเตอรี่ LXT * (14.4 V / 18 V สูงสุด) | - | - |

* อุปกรณ์เสริม

▶ หมายเลข 2

| | | | | | | | |
|---|-----------------------------------|----|---------------------------------------|---|---------------|---|----------------------|
| 1 | กระเป๋ใส่แบตเตอรี่ | 2 | แถบสะท้อนแสง | 3 | หมวกคลุมศีรษะ | 4 | บุรุษไหล่ |
| 5 | กระเป๋าตาข่ายสำหรับถุง น้ำแข็ง | 6 | ช่องเก็บสายไฟใน กระเป๋า (ได้ซิปใน) | 7 | ที่ยึดสายไฟ | 8 | ช่องเก็บสายไฟในซิปใน |
| 9 | ซิป (อุปกรณ์เสริม) | 10 | เข็มขัดด้านหน้า | - | - | - | - |

หมายเหตุ: คุณสมบัติของแจ็กเก็ต/เสื้อก็จะแตกต่างกันไปขึ้นอยู่กับรุ่น โปรดอ้างอิงส่วนข้อมูลจำเพาะสำหรับคุณสมบัติของแจ็กเก็ต/เสื้อของคุณ

การติดตั้ง

การชาร์จแบตเตอรี่

ตลับแบตเตอรี่ที่ใช้กับช่องใส่แบตเตอรี่

โปรดอ้างอิงคู่มือการใช้งานของเครื่องชาร์จสำหรับวิธีการชาร์จแบตเตอรี่

แบตเตอรี่ BL1055B

เปิดฝาครอบบนพอร์ต USB ออก เชื่อมต่อพอร์ต USB และอะแดปเตอร์ไฟฟ้า AC ADP07 (ไม่ได้มีมาให้) โดยใช้สาย USB ที่ให้มาพร้อมกับแบตเตอรี่ หลังจากนั้นให้เสียบปลั๊กอะแดปเตอร์ไฟฟ้า AC ADP07 เข้ากับแหล่งจ่ายไฟหลัก เมื่อชาร์จเสร็จแล้ว ไฟแสดงความจุแบตเตอรี่ทั้งหมดจะสว่างขึ้น และจะดับลงหลังจากนั้นไม่นาน ถอดปลั๊กอะแดปเตอร์ไฟฟ้า AC และถอดสาย USB จากนั้นปิดฝาครอบ

- ▶ **หมายเลข 3:**
1. อะแดปเตอร์ไฟฟ้า AC ADP07
 2. แบตเตอรี่ BL1055B
 3. ฝาครอบ
 4. สาย USB

ความหมายของไฟแสดงสถานะ

| ไฟแสดงสถานะ | | | ความจุ แบตเตอรี่ที่ เหลือ |
|-----------------------------------|-----|--------|---------------------------------|
| ไฟสว่าง | ดับ | กะพริบ | |
| | | | 100% |
| ↓ (ไฟจะดับลงหลังจากนั้นไม่นาน) | | | |
| | | | 51% ถึง 99% |
| | | | 26% ถึง 50% |
| | | | 0% ถึง 25% |

การใส่หรือการถอดดัลล์แบตเตอรี่

เฉพาะเมื่อใช้ดัลล์แบตเตอรี่ที่ใช้กับช่องใส่แบตเตอรี่

⚠ ข้อควรระวัง: ปิดสวิตช์เครื่องมือก่อนใส่หรือถอดดัลล์แบตเตอรี่ทุกครั้ง

⚠ ข้อควรระวัง: ถอดช่องใส่แบตเตอรี่และดัลล์แบตเตอรี่ให้แน่นในระหว่างการใส่หรือการถอดดัลล์แบตเตอรี่ หากไม่ถนัดช่องใส่แบตเตอรี่และดัลล์แบตเตอรี่ให้แน่น อาจทำให้ช่องใส่แบตเตอรี่และดัลล์แบตเตอรี่ลื่นหลุดมือ และทำให้ช่องใส่แบตเตอรี่และดัลล์แบตเตอรี่เสียหายและ/หรือทำให้ได้รับบาดเจ็บได้

▶ **หมายเลข 4:** 1. ไฟแสดงสถานะสีแดง 2. ปุ่ม 3. ดัลล์แบตเตอรี่ 4. ช่องใส่แบตเตอรี่

เมื่อต้องการใส่ดัลล์แบตเตอรี่ ให้จัดแนวสันบนดัลล์แบตเตอรี่ให้ตรงกับร่องบนตัวช่องใส่แบตเตอรี่ แล้วเลื่อนดัลล์แบตเตอรี่เข้าที่ ใส่ดัลล์แบตเตอรี่เข้าจนสุดจนกระทั่งล็อกเข้าที่ซึ่งจะได้ยินเสียงคลิกเบาๆ หากยังเห็นส่วนสีแดงที่ด้านบนของปุ่ม แสดงว่าดัลล์แบตเตอรี่ยังไม่ล็อกเข้าที่

เมื่อต้องการถอดดัลล์แบตเตอรี่ ให้เลื่อนออกจากช่องใส่แบตเตอรี่พร้อมกับกดปุ่มที่ด้านหน้าของดัลล์เอาไว้

⚠ ข้อควรระวัง: ใส่ดัลล์แบตเตอรี่เข้าจนสุดจนไม่เห็นส่วนสีแดงอีกเสมอ มิฉะนั้นดัลล์แบตเตอรี่อาจหลุดออกจากช่องใส่แบตเตอรี่ ทำให้คุณหรือคนรอบข้างได้รับบาดเจ็บได้

⚠ ข้อควรระวัง: อย่าฝืนใส่ดัลล์แบตเตอรี่ หากดัลล์แบตเตอรี่ไม่เลื่อนเข้าไปโดยง่าย แสดงว่าใส่ไม่ถูกต้อง

การติดตั้งช่องใส่แบตเตอรี่

เฉพาะเมื่อใช้ดัลล์แบตเตอรี่ที่ใช้กับช่องใส่แบตเตอรี่

คุณสามารถห้อยช่องใส่แบตเตอรี่ไว้ที่เข็มขัดที่รัดเอวคุณได้ เพื่อป้องกันช่องใส่แบตเตอรี่หล่นโดยไม่ตั้งใจ ให้ติดตั้งสายรัดเข้ากับรูสายรัดและยึดให้แน่น

▶ **หมายเลข 5:** 1. รูสายรัด

ช่องใส่แบตเตอรี่มีฟังก์ชันกันหล่น เมื่อนำช่องใส่แบตเตอรี่ออกจากเข็มขัด ให้ดึงช่องใส่แบตเตอรี่ขึ้นพร้อมกับกดปุ่มปลดล็อก

▶ **หมายเลข 6:** 1. ปุ่มปลดล็อก

การใส่หรือการถอดพัดลม

1. เปิดชิปภายในแฉีกเกิด (โปรดข้ามขั้นตอนนี้หากแฉีกเกิด/เสื่อกักของคุณไม่มีชิปใน)

▶ **หมายเลข 7:** 1. ชิป

2. หมุนแหวนทวนเข็มนาฬิกา จากนั้นถอดออกจากพัดลม

▶ **หมายเลข 8:** 1. พัดลม 2. แหวน

3. จากด้านในของแฉีกเกิด/เสื่อกัก ให้สอดหัวพัดลมเข้าไปในช่องในแฉีกเกิด/เสื่อกัก

▶ **หมายเลข 9:** 1. พัดลม 2. ช่อง

4. จากด้านในของแฉีกเกิด/เสื่อกัก ให้วางพัดลมโดยให้หัวจรวดบนพัดลมอยู่ใกล้กับแถบบนแฉีกเกิด/เสื่อกักให้มากที่สุด

(อย่าดีดกระดุมสแนปบนแถบในขั้นตอนนี้)

▶ **หมายเลข 10:** 1. แถบ 2. หัวจรวด

5. จากด้านในของแฉีกเกิด/เสื่อกัก ให้วางแหวนลงบนพัดลมแล้วหมุนแหวนตามเข็มนาฬิกาจนกระทั่งเครื่องหมายสามเหลี่ยมอยู่ตรงกับเครื่องหมาย “ II ”

▶ **หมายเลข 11:** 1. แหวน 2. พัดลม 3. เครื่องหมาย “ II ” 4. เครื่องหมายสามเหลี่ยม 5. เครื่องหมาย “ I ”

หมายเหตุ: เมื่อหมุนแหวน โปรดระวังอย่าให้พัดลมเลื่อนออกจากตำแหน่ง จัดตำแหน่งให้หัวจรวดบนพัดลมอยู่ใกล้กับแถบมากที่สุด

หมายเหตุ: ใส่แหวนให้ขนานกับพัดลม ไม่เช่นนั้น คุณอาจไม่สามารถหมุนแหวนได้ด้วยารขยับ

หมายเหตุ: เมื่อคุณใช้ชุดตัวกรอง (อุปกรณ์เสริม) ให้หมุนแหวนจนกระทั่งเครื่องหมายสามเหลี่ยมตรงกับเครื่องหมาย “ I ” (แหวนจะไม่สามารถหมุนได้จนถึงเครื่องหมาย “ II ”)

6. สอดแถบเข้าไปในช่องบนพัดลมและติดให้แน่นด้วยกระดุม

▶ **หมายเลข 12:** 1. แถบ 2. กระดุมสแนป

⚠ ข้อควรระวัง: ใช้แถบและกระดุมสแนปเพื่อยึดพัดลมกับแฉีกเกิด/เสื่อกักเสมอ หากพัดลมตกลงมา อาจทำให้ได้รับบาดเจ็บ หรือทำให้พัดลมเสียหายได้

7. ติดตั้งพัดลมอื่นๆ เข้ากับแฉีกเกิด/เสื่อกักด้วยวิธีเดียวกันนี้

8. เชื่อมต่อสายไฟเข้ากับพัดลม

▶ **หมายเลข 13:** 1. สายไฟ 2. ที่ยึดสายไฟ 3. ชิป

หมายเหตุ: สำหรับแฉีกเกิด/เสื่อกักที่ไม่มีชิปในจะไม่มีชิปมาให้

ข้อสังเกต: เชื่อมต่อสายไฟเข้ากับพัดลมทั้งสองตัวเสมอ พัดลมจะไม่ทำงานหากสายไฟเชื่อมต่อกับพัดลมเพียงตัวเดียวเท่านั้น

9. โปรดปฏิบัติตามคำแนะนำข้อใดข้อหนึ่งด้านล่าง ขึ้นอยู่กับวิธีการจัดเก็บแบตเตอรี่เมื่อใช้งานแฉีกเกิด/เสื่อกักติดพัลลม:

เมื่อเก็บแบตเตอรี่ไว้ในกระเป๋าสไลด์แบตเตอรี่หรือบนเข็มขัดของคุณ

สอดปลายสายไฟออกโดยผ่านทางช่องในชั้นในของแฉีกเกิด/เสื่อกักตามที่แสดงในภาพ (โปรดข้ามขั้นตอนนี้หากแฉีกเกิด/เสื่อกักของคุณไม่มีชั้นใน) ยึดสายไฟไว้ด้วยที่ยึดสายไฟ

▶ **หมายเลข 14:** 1. ช่องในชั้นใน 2. สายไฟ

เมื่อเก็บแบตเตอรี่ไว้ในกระเป๋าของแฉีกเกิด/เสื่อกัก (เฉพาะแฉีกเกิด/เสื่อกักที่มีช่องเข้าถึงกระเป๋าสไลด์โดยตรง)

จากด้านในของแฉีกเกิด/เสื่อกัก ให้สอดปลายสายไฟออกโดยผ่านทางช่องในกระเป๋าของแฉีกเกิด/เสื่อกักตามที่แสดงในภาพ

▶ **หมายเลข 15:** 1. ช่องในกระเป๋า 2. สายไฟ

10. เชื่อมต่อสายไฟเข้ากับช่องสไลด์แบตเตอรี่ / แบตเตอรี่ BL1055B

▶ **หมายเลข 16:** 1. ช่องสไลด์แบตเตอรี่ 2. แบตเตอรี่ BL1055B

11. ปิดซิป

(โปรดข้ามขั้นตอนนี้หากแฉีกเกิด/เสื่อกักของคุณไม่มีชั้นใน)

⚠ ข้อควรระวัง: เมื่อใช้แฉีกเกิด/เสื่อกักติดพัลลม โปรดเก็บแบตเตอรี่ไว้ในกระเป๋าหรือแขวนไว้บนเข็มขัดให้แน่นเพื่อป้องกันการร่วงหล่น

ปฏิบัติตามขั้นตอนการติดตั้งแบบย้อนกลับเมื่อต้องการถอดพัลลม

การติดตั้งชุดตัวกรอง

อุปกรณ์เสริม

ชุดตัวกรองป้องกันพัลลมจากฝุ่นและผง เราแนะนำให้ผู้ใช้ชุดตัวกรองในสถานที่ปฏิบัติงานที่เต็มไปด้วยฝุ่นและผงติดตั้งที่ยึดตัวกรองระหว่างพัลลมและแหวน หมุนแหวนตามเข็มนาฬิกาจนกระทั่งเครื่องหมายสามเหลี่ยมตรงกับเครื่องหมาย "1" หลังจากนั้น ให้ติดตั้งตัวกรองบนที่ยึดตัวกรอง

▶ **หมายเลข 17:** 1. แหวน 2. ช่องในแฉีกเกิด/เสื่อกัก 3. ที่ยึดตัวกรอง 4. พัลลม 5. ตัวกรอง 6. เครื่องหมาย "1" 7. เครื่องหมายสามเหลี่ยม

ข้อสังเกต: ตรวจสอบให้แน่ใจว่าตัวกรองครอบที่ยึดตัวกรองเรียบร้อยแล้ว เพื่อการป้องกันฝุ่นและผงที่ยังขึ้นให้เห็นขายของตัวกรองระหว่างแฉีกเกิด/เสื่อกักและที่ยึดตัวกรอง

คำอธิบายการทำงาน

ข้อสังเกต: แฉีกเกิด/เสื่อกักติดพัลลมจะทำงานอย่างมีประสิทธิภาพเมื่อความชื้นและอุณหภูมิของอากาศที่รับเข้าต่ำกว่าความชื้นและอุณหภูมิของพื้นผิวร่างกาย แฉีกเกิด/เสื่อกักติดพัลลมอาจทำงานไม่ได้ประสิทธิภาพหากอุณหภูมิของอากาศและ/หรือความชื้นสูงกว่าอุณหภูมิและความชื้นภายในแฉีกเกิด/เสื่อกัก

ไฟบ่งชี้ระดับพลังงาน

ระดับพลังงานปัจจุบันจะแสดงในรูปของไฟบ่งชี้ระดับพลังงาน

ช่องสไลด์แบตเตอรี่

▶ **หมายเลข 18:** 1. ไฟบ่งชี้ระดับพลังงาน

แบตเตอรี่ BL1055B

▶ **หมายเลข 19:** 1. ไฟบ่งชี้ระดับพลังงาน

ข้อสังเกต: สำหรับแบตเตอรี่ BL1055B ไฟหมายเลข 1 และหมายเลข 4 จะกะพริบหากมีความผิดปกติในการเชื่อมต่อระหว่างแบตเตอรี่และพัลลม

การระบุระดับพลังงานแบตเตอรี่ที่เหลืออยู่

หมายเหตุ: ขึ้นอยู่กับสภาพการใช้งานและอุณหภูมิ โดยรอบ การแสดงสถานะอาจแตกต่างจากปริมาณแบตเตอรี่จริงเล็กน้อย

เฉพาะเมื่อใช้ถลับแบตเตอรี่ (ที่มีไฟแสดงสถานะ) ซึ่งใช้กับช่องสไลด์แบตเตอรี่

กดปุ่ม ตรวจสอบ บนถลับแบตเตอรี่เพื่อดูปริมาณแบตเตอรี่ที่เหลือ ไฟแสดงสถานะจะสว่างขึ้นเป็นเวลาสองสามวินาที

▶ **หมายเลข 20:** 1. ไฟแสดงสถานะ 2. ปุ่มตรวจสอบ

ความหมายของไฟแสดงสถานะ

| ไฟแสดงสถานะ | | | ความจุ แบตเตอรี่ที่ เหลือ |
|--------------------------------|-----|--------|---------------------------------|
| ไฟสว่าง | ดับ | กะพริบ | |
| | | | 75% ถึง 100% |
| | | | 51% ถึง 75% |
| | | | 25% ถึง 50% |
| | | | น้อยกว่า 25% |
| | | | ชาร์จไฟ แบตเตอรี่ |
| (สำหรับแบตเตอรี่ LXT เท่านั้น) | | | |
| | | | แบตเตอรี่อาจ ทำงานผิดปกติ |
| | | | |
| (สำหรับแบตเตอรี่ LXT เท่านั้น) | | | |

หมายเหตุ: สำหรับแบตเตอรี่ LXT เท่านั้น
ไฟแสดงสถานะดวงแรก (ซ้ายสุด) จะกะพริบเมื่อระบบ
ป้องกันแบตเตอรี่ทำงาน

แบตเตอรี่ BL1055B

เมื่อถอดปลั๊กแบตเตอรี่ BL1055B แล้ว ให้กดปุ่มไฟหลัก
ไฟแสดงสถานะความจุแบตเตอรี่จะสว่างขึ้นเป็นเวลาสักครู่
▶ **หมายเลข 21:** 1. ไฟแสดงสถานะความจุแบตเตอรี่

ความหมายของไฟแสดงสถานะ

| ไฟแสดงสถานะ | | | ความจุ แบตเตอรี่ที่ เหลือ |
|-------------|-----|--------|---------------------------------|
| ไฟสว่าง | ดับ | กะพริบ | |
| | | | 51% ถึง 100% |
| | | | 26% ถึง 50% |
| | | | 11% ถึง 25% |
| | | | น้อยกว่า 11% |
| | | | ความผิดปกติ ของแบตเตอรี่ |

ระบบป้องกันแบตเตอรี่

อุปกรณ์นี้มีระบบป้องกันแบตเตอรี่ ระบบนี้จะทำการตัด
พลังงานของมอเตอร์โดยอัตโนมัติเพื่อยืดอายุการใช้งาน
แบตเตอรี่

ถ้าความจุแบตเตอรี่ที่เหลืออยู่น้อยเกินไป อุปกรณ์จะไม่
ทำงาน เมื่อคุณเปิดใช้เครื่องมือ มอเตอร์จะเริ่มทำงานอีก
ครั้ง แต่ถ้อยักหักจะหยุดทำงาน ในสถานการณ์นี้ ให้ถอด
ถลับแบตเตอรี่ออกแล้วชาร์จใหม่

การไหลของอากาศ

การไหลของอากาศด้านในแจ็กเก็ตจะเป็นไปตามภาพด้าน
ล่าง

▶ หมายเลข 22

สำหรับแจ็กเก็ตที่มีหมวกคลุมศีรษะ ให้สวมใส่หมวกคลุม
ศีรษะเหนือหมวกนิรภัย อากาศจากพัดลมจะไหลผ่านหมวก
นิรภัยและระบายความร้อนที่ศีรษะของคุณ

▶ หมายเลข 23

กระเป๋าสีแบตเตอรี่

หมายเหตุ: แจ็กเก็ต/เสื้อกั๊กบางตัวจะไม่มีกระเป๋าสี
แบตเตอรี่ โปรดอ้างอิงส่วนข้อมูลจำเพาะสำหรับ
คุณสมบัติของแจ็กเก็ต/เสื้อกั๊กของคุณ

ใช้กระเป๋าสีแบตเตอรี่เพื่อจัดเก็บแบตเตอรี่หรือช่องใส่
(พร้อมแบตเตอรี่) ภายในแจ็กเก็ต/เสื้อกั๊ก

▶ หมายเลข 24

⚠ ข้อควรระวัง: ติดกระดุมสนแนปเสมอเมื่อเก็บแบตเตอรี่
ไว้ในกระเป๋าสี

กระเป๋าดำชาย

หมายเหตุ: แจ็กเก็ต/เสื้อกั๊กบางตัวไม่มีกระเป๋าดำชาย
โปรดอ้างอิงส่วนข้อมูลจำเพาะสำหรับคุณสมบัติของแจ็ก
เก็ต/เสื้อกั๊กของคุณ

ใช้กระเป๋าดำชายที่ด้านหลังของแจ็กเก็ต/เสื้อกั๊กในการเก็บ
ถุงน้ำแข็ง

▶ หมายเลข 25: 1. กระเป๋าดำชาย

เข็มขัดด้านหน้า

หมายเหตุ: แจ็กเก็ต/เสื้อกั๊กบางตัวไม่มีเข็มขัดด้านหน้า โปรดอ้างอิงส่วนข้อมูลจำเพาะสำหรับคุณสมบัติของแจ็กเก็ต/เสื้อกั๊กของคุณ

ปรับความยาวของเข็มขัดตามขนาดของคุณ หากเข็มขัดหย่อน ให้สอดเข็มขัดผ่านห่วงรัดเข็มขัดตามภาพ

- **หมายเลข 26:** 1. เข็มขัด 2. ห่วงรัดเข็มขัด

เชื่อมต่ออุปกรณ์ USB

⚠ ข้อควรระวัง: เชื่อมต่ออุปกรณ์ที่ใช้ได้กับพอร์ต USB จ่ายไฟเท่านั้น มิฉะนั้นอาจทำให้ช่องใส่แบตเตอรี่ทำงานผิดปกติได้

ข้อสังเกต: ก่อนเชื่อมต่ออุปกรณ์ USB โปรดสำรองข้อมูลบนอุปกรณ์ USB ไว้เสมอ มิฉะนั้นข้อมูลอาจสูญหายไป

ข้อสังเกต: ช่องใส่แบตเตอรี่และแบตเตอรี่ BL1055B อาจไม่จ่ายไฟให้กับอุปกรณ์ USB บางอุปกรณ์

ข้อสังเกต: เมื่อไม่มีการใช้งานหรือหลังจากชาร์จเสร็จแล้ว ให้นำสาย USB ออก แล้วปิดด้วยฝาครอบ

หมายเหตุ: กระแสไฟฟ้าเอาต์พุตจริงอาจแตกต่างกันไปขึ้นอยู่กับอุปกรณ์ USB ที่เชื่อมต่ออยู่

หมายเหตุ: พลังงานแบตเตอรี่จะถูกใช้ในขณะปั๊มไฟหลักถูกเปิดไว้อยู่ ปิดสวิตช์เสมอเมื่อไม่ได้ใช้งาน

หมายเหตุ: เมื่อทำการชาร์จอุปกรณ์ USB ต่อเนื่องกันหลายเครื่อง ให้รอประมาณ 10 วินาทีหลังจากชาร์จอุปกรณ์ก่อนหน้าเสร็จ ก่อนจะเริ่มชาร์จอุปกรณ์ถัดไป

ช่องใส่แบตเตอรี่ (พร้อมแบตเตอรี่) และแบตเตอรี่ BL1055B สามารถทำงานเป็นแหล่งจ่ายไฟภายนอกสำหรับอุปกรณ์ USB ได้

1. เปิดฝาครอบและเชื่อมต่อสาย USB (ไม่มีมาให้) เข้ากับพอร์ต USB จากนั้นเชื่อมต่อปลายด้านหนึ่งของสายเข้ากับอุปกรณ์

2. เริ่มการชาร์จ:

— เมื่อใช้ช่องใส่แบตเตอรี่ (พร้อมแบตเตอรี่) ให้กดปุ่มไฟหลักค้างไว้จนกระทั่งไฟวงรีระดับพลังงานสว่างขึ้น แบตเตอรี่นี้จ่ายไฟ DC 5 V, 2.4 A

ช่องใส่แบตเตอรี่ (พร้อมแบตเตอรี่)

► **หมายเลข 27:** 1. ฝาครอบ 2. พอร์ต USB

— เมื่อใช้แบตเตอรี่ BL1055B ให้กดปุ่มไฟหลัก แบตเตอรี่นี้จ่ายไฟ DC 5 V, 1.5 A

แบตเตอรี่ BL1055B

► **หมายเลข 28:** 1. ปุ่มไฟหลัก 2. พอร์ต USB

การใช้งาน

การเปิดพัดลม ให้กดปุ่มไฟหลักค้างไว้ พัดลมจะเริ่มทำงานที่ระดับ 4 ซึ่งเป็นความเร็วสูงสุดในแต่ละครั้งที่คุณกดปุ่มไฟหลัก ระดับพลังงานจะเปลี่ยนจาก 4 ถึง 1 และจะกลับไปยัง 4 อีกครั้ง ไฟวงรีระดับพลังงานจะแสดงการตั้งค่าปัจจุบัน การปิดเครื่อง ให้กดปุ่มไฟหลักค้างไว้อีกครั้ง

ช่องใส่แบตเตอรี่

► **หมายเลข 29:** 1. ไฟวงรีระดับพลังงาน 2. ปุ่มไฟหลัก

แบตเตอรี่ BL1055B

► **หมายเลข 30:** 1. ไฟวงรีระดับพลังงาน 2. ปุ่มไฟหลัก

การบำรุงรักษา

⚠ ข้อควรระวัง: ตรวจสอบให้แน่ใจเสมอว่าปิดสวิตช์แจ็กเก็ตและนำด้ามแบตเตอรี่หรือแบตเตอรี่ BL1055B ออกแล้วก่อนทำการตรวจสอบหรือบำรุงรักษา

⚠ ข้อควรระวัง: หากแจ็กเก็ต/เสื้อกั๊กไม่ได้เปิดสวิตช์ไว้อยู่ หรือพบความผิดปกติใดๆ กับด้ามแบตเตอรี่ที่ชาร์จเต็มแล้ว ให้ทำความสะอาดช่องช่องใส่แบตเตอรี่และด้ามแบตเตอรี่ หากแจ็กเก็ตทำงานได้ไม่เหมาะสม ให้หยุดใช้แจ็กเก็ต/เสื้อกั๊ก และติดต่อศูนย์บริการที่ได้รับบริการรับรองของเรา

ข้อสังเกต: อย่าใช้น้ำมันเชื้อเพลิง เบนซิน ทินเนอร์ แอลกอฮอล์ หรือวัสดุประเภทเดียวกัน เนื่องจากอาจทำให้ลื่นลื่น เสียหาย หรือแตกร้าวได้

เพื่อความปลอดภัยและน้ำเชื้อเพลิงของผลิตภัณฑ์ ควรให้ศูนย์บริการหรือโรงงานที่ผ่านการรับรองจาก Makita เป็นผู้ดำเนินการซ่อมแซม บำรุงรักษาและทำการปรับตั้งอื่นๆ นอกจากนี้ให้ใช้อะไหล่ของแท้จาก Makita เสมอ

การทำความสะอาดพัดลม

เช็ดสิ่งสกปรก ฝุ่น น้ำมัน จารบี ฯลฯ ด้วยผ้าแห้งที่สะอาด การทำความสะอาดใบพัด ให้ถอดแหวนและขอกีียวตัว เครื่องออกจากฝาครอบโดยใช้ไขควงหัวแบนหรืออุปกรณ์ที่คล้ายกันนี้ มีขอกีียวสามตัวบนตัวเครื่อง คอยง ถอดขอกีียวต่างๆ โดยการหมุนเพื่อไม่ให้ขอกีียวหัก

▶ **หมายเลข 31:** 1. ไขควงหัวแบน 2. ตัวเครื่อง 3. ฝาครอบ 4. ขอกีียว 5. ใบพัด 6. ขอกีียว

ข้อสังเกต: อย่าถอดใบพัดออกจากตัวเครื่อง

ข้อสังเกต: อย่าล้างตัวพัดลมด้วยน้ำ

ตรวจสอบให้แน่ใจว่าได้ติดตั้งฝาครอบแล้วหลังทำความสะอาดใบพัด วางฝาครอบไว้บนตัวเครื่องตามภาพ (สังเกตทิศทางของโลโก้บนฝาครอบและห่วงบนตัวเครื่อง) จัดตำแหน่งขอกีียวเข้ากับช่องแล้วใส่เข้าไป

▶ **หมายเลข 32:** 1. โลโก้บนฝาครอบ 2. ห่วงบนตัวเครื่อง

การทำความสะอาดแจ็กเก็ต/เสื้อกั๊ก

- ถอดพัดลมและแบตเตอรี่หรือช่องใส่แบตเตอรี่ออกจากแจ็กเก็ต/เสื้อกั๊กก่อนนำไปซัก
- โปรดปฏิบัติตามคำแนะนำบนป้าย
- ผลิตภัณฑ์ที่ทำจากคอตตอนอาจหดลงเมื่อถูกซัก
- อย่าซักแจ็กเก็ต/เสื้อกั๊กร่วมกับเสื้อผ้าอื่นๆ เนื่องจากอาจทำให้สีซีดจางหรือสีตกได้
- ใช้ถุงตาข่ายซักผ้าเมื่อซักโดยเครื่องซักผ้า
- อย่าใช้น้ำยาปรับผ้านุ่ม
- ใช้เฉพาะน้ำยาทำความสะอาดที่มีค่าเป็นกลางเท่านั้น
- หลังจากซักแล้ว ให้นำแจ็กเก็ต/เสื้อกั๊กออกจากเครื่องซักผ้าทันที
- ตรวจสอบให้แน่ใจว่าได้ปิดซิปแล้วก่อนทำการซัก

สำหรับแจ็กเก็ตที่มีแถบสะท้อนแสง

- ส่วนแถบสะท้อนแสงอาจมีประสิทธิภาพลดลงจากการซัก
- ซักเครื่องที่รอบเบา (จำนวนครั้งของการซักสูงสุด 5 ครั้ง)
- จำนวนครั้งของการซักไม่ใช่ว่าจะยิ่งดีที่ส่งผลต่ออายุการใช้งานของแจ็กเก็ต
- อายุการใช้งานของแจ็กเก็ตจะแปรเปลี่ยนไปตามวิธีการใช้ วิธีการรักษา และสภาวะการจัดเก็บ
- หากส่วนแถบสะท้อนแสงหรือผ้าเสื่อมสภาพ ให้เปลี่ยนแจ็กเก็ตตัวใหม่

หมายเหตุ: คุณสมบัติของแจ็กเก็ต/เสื้อกั๊กจะแตกต่างกันไปขึ้นอยู่กับรุ่น โปรดอ้างอิงส่วนข้อมูลจำเพาะสำหรับคุณสมบัติของแจ็กเก็ต/เสื้อกั๊กของคุณ

อุปกรณ์เสริม

⚠ ข้อควรระวัง: ขอแนะนำให้ใช้เฉพาะอุปกรณ์เสริมหรืออุปกรณ์ต่อพ่วงเหล่านี้กับเครื่องมือ Makita ที่ระบุในคู่มือการใช้งานใช้อุปกรณ์เสริมหรืออุปกรณ์ต่อพ่วงอื่นๆ อาจมีความเสี่ยงที่จะได้รับบาดเจ็บ ใช้อุปกรณ์เสริมหรืออุปกรณ์ต่อพ่วงตามวัตถุประสงค์ที่ระบุไว้เท่านั้น

หากต้องการทราบรายละเอียดเพิ่มเติมเกี่ยวกับอุปกรณ์เสริมเหล่านี้ โปรดสอบถามศูนย์บริการ Makita ใกล้บ้านคุณ

- ชุดตัวกรอง
- แบตเตอรี่ BL1055B
- ช่องใส่แบตเตอรี่
- สายอะแดปเตอร์สำหรับแจ็กเก็ต/เสื้อกั๊กติดพัดลม
- สายอะแดปเตอร์สำหรับแจ็กเก็ต/เสื้อกั๊ก/ผ้าห่มให้ความร้อน
- แบตเตอรี่และเครื่องชาร์จ Makita ของแท้

หมายเหตุ: อุปกรณ์บางรายการอาจรวมอยู่ในชุดเครื่องมือเป็นอุปกรณ์มาตรฐาน ซึ่งอาจแตกต่างกันไปในแต่ละประเทศ

Makita Corporation
3-11-8, Sumiyoshi-cho,
Anjo, Aichi 446-8502 Japan
www.makita.com

885877-379
EN, ZHCN, ID, MS,
VI, TH
20210114