



VN	VIETNAM
----	---------

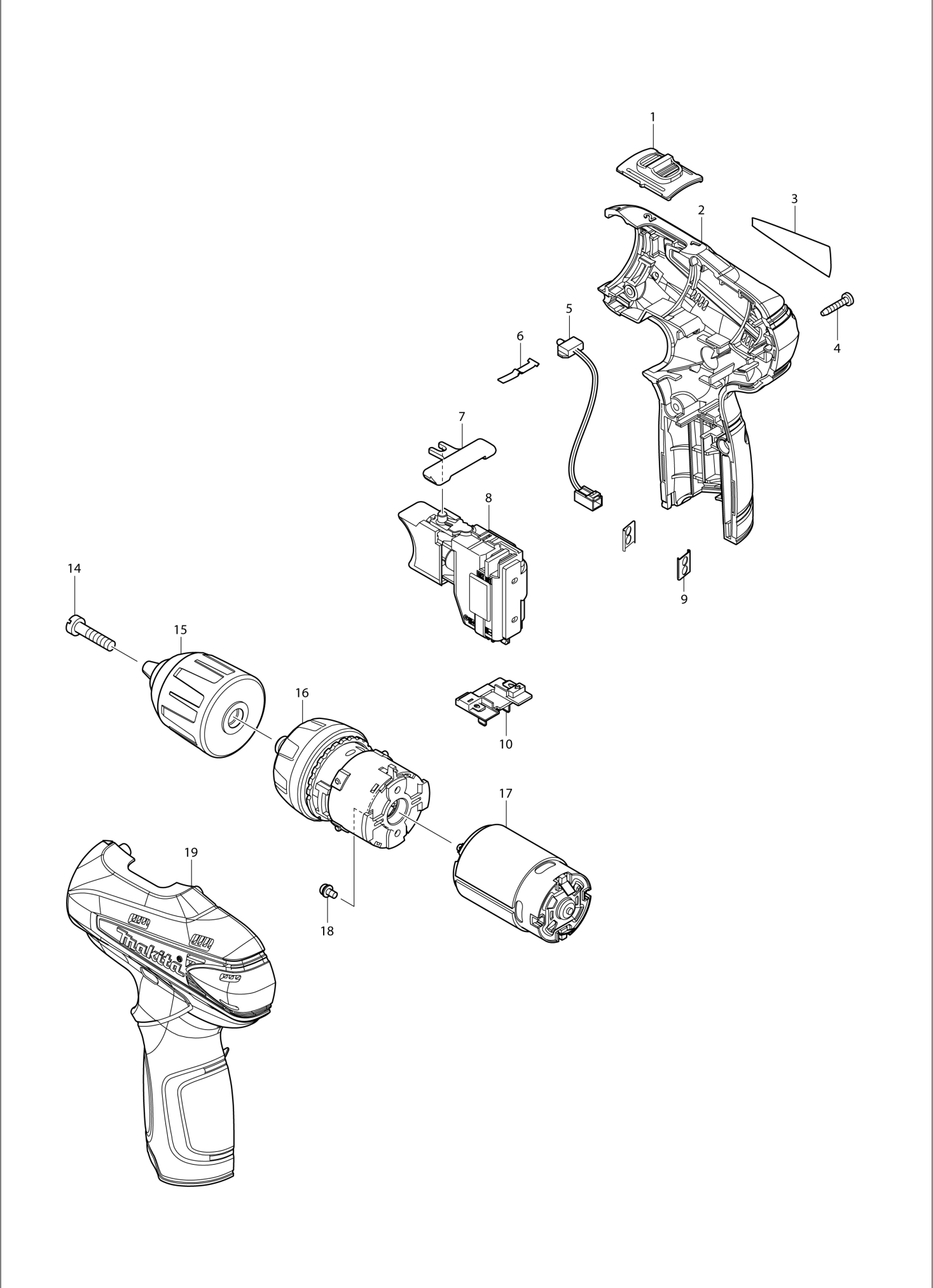
Diagram / Parts List

DF330D

CORDLESS DRIVER DRILL



(VN) DF330D / CORDLESS DRIVER DRILL



VN	VIETNAM
-----------	----------------

DF330D / CORDLESS DRIVER DRILL

Item	Sub	Parts No.	Parts Description	Qty	I/C	E/C No.	Close No.	Remark
001A		125461-4	SPEED CHANGE LEVER ASSEMBLY	1			95509	
	C10	231433-0	COMPRESSION SPRING 4	2			95509	
001B		125461-4	SPEED CHANGE LEVER ASSEMBLY	1			95509	
	C10	231433-0	COMPRESSION SPRING 4	2			95509	
001-1A		126233-0	SPEED CHANGE LEVER ASSEMBLY	1	<	95509		
	C10	231433-0	COMPRESSION SPRING 4	2		95509		
001-1B		126233-0	SPEED CHANGE LEVER ASSEMBLY	1	<	95509		
	C10	231433-0	COMPRESSION SPRING 4	2		95509		
001-1C		126233-0	SPEED CHANGE LEVER ASSEMBLY	1				
	C10	231433-0	COMPRESSION SPRING 4	2				
002A		188498-2	HOUSING SET	1			91765	
	D10		INC. 19				91765	
002B		188498-2	HOUSING SET	1			91765	
	D10		INC. 19				91765	
002-1A		187147-8	HOUSING SET	1	X	91765	94907	
	D10		INC. 19			91765	94907	
002-1B		187147-8	HOUSING SET	1	X	91765	94907	
	D10		INC. 19			91765	94907	
002-2A		187359-3	HOUSING SET	1	O	94907		
	D10		INC. 19			94907		
002-2B		187359-3	HOUSING SET	1	O	94907		
	D10		INC. 19			94907		
002-2C		187359-3	HOUSING SET	1				
	D10		INC. 19					
003		866201-8	DF330D NAME PLATE	1				
004		266130-9	TAPPING SCREW BIND PT 3X16	6				
005A		631813-4	LED CIRCUIT	1			90876	
006		232239-9	LEAF SPRING	1				
007		450504-6	F/R CHANGE LEVER	1				
008A		650599-1	SWITCH C3HY-1A-LM	1			90876	
008-1A		650645-0	SWITCH C3HY-1A-LF1M	1	<	90876	96587	
008-1B		650645-0	SWITCH C3HY-1A-LF1M	1			96587	
008-2A		650699-7	SWITCH C3HW-3A-LF1M	1	X	96587		
008-2B		650699-7	SWITCH C3HW-3A-LF1M	1	X	96587		
008-2C		650699-7	SWITCH C3HW-3A-LF1M	1				
009		345998-7	SET PLATE	2				
010		643830-2	TERMINAL	1				
014		251451-2	- PAN HEAD SCREW M5X22	1				
015		766007-3	KEYLESS DRILL CHUCK 10	1			A7949	
015-1		763228-8	KEYLESS DRILL CHUCK 10	1	<	A7949		
016		125539-3	GEAR ASS'Y	1			B0280	
016-1		123503-8	GEAR ASS'Y	1	O	B0280	C4170	
016-2		127099-1	GEAR ASSEMBLY	1	<	C4170		
017		629853-4	DC MOTOR	1				
018		911003-8	PAN HEAD SCREW M3X6	2				
019A		188498-2	HOUSING SET	1			91765	
	D10		INC. 2				91765	
019B		188498-2	HOUSING SET	1			91765	
	D10		INC. 2				91765	
019-1A		187147-8	HOUSING SET	1	X	91765	94907	
	D10		INC. 2			91765	94907	
019-1B		187147-8	HOUSING SET	1	X	91765	94907	
	D10		INC. 2			91765	94907	
019-2A		187359-3	HOUSING SET	1	O	94907		
	D10		INC. 2			94907		
019-2B		187359-3	HOUSING SET	1	O	94907		
	D10		INC. 2			94907		
019-2C		187359-3	HOUSING SET	1				
	D10		INC. 2					
020		533020-4	LEAD ASS'Y	1		Y06340		
021		533019-9	LEAD ASS'Y	1		Y06340		
A01A		168467-9	HOLSTER	1				
A01C		168467-9	HOLSTER	1				
A02A		***DC10WA	DC10WA BATTERY CHARGER	1				
A02C		***DC10WA	DC10WA BATTERY CHARGER	1				

A:DF330DWE(H)
 B:DF330DZ(N)
 C:DF330DWLE(H)

Interchange
 O : Yes
 X : No
 < : the new part can be substituted for the current.
 > : the current part can be substituted for the new.
 S : Interchangeable as a set.

