



VN	VIETNAM
----	---------

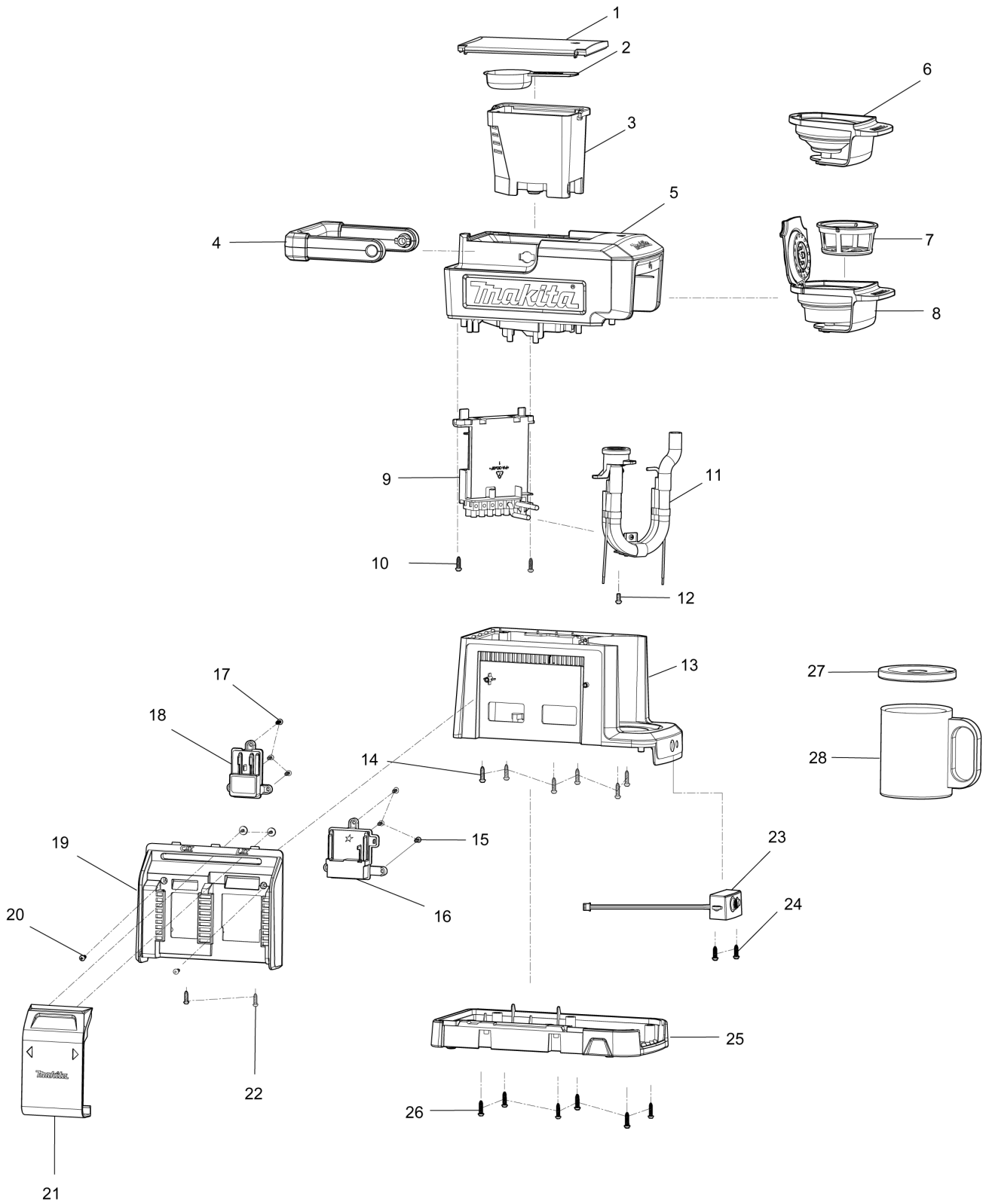
Diagram / Parts List

DCM501

CORDLESS COFFEE MAKER



(VN) DCM501 / CORDLESS COFFEE MAKER



DCM501 / CORDLESS COFFEE MAKER

Item	Sub	Parts No.	Parts Description	Qty	I/C	E/C No.	Close No.	Remark
001		KF00000034	WATER TANK COVER	1				
002		KF00000033	SPOON	1			Y07927	
002-1		KF00000068	SPOON	1	O	Y07927		
003		KF00000019	WATER TANK SET	1			Y07821	
003-1		KF00000053	WATER TANK SET	1	O	Y07821		
004		KF00000017	HANDLE SET(BLUE)	1				
005		KF00000010	TOP&MIDDLE COVER SET(BLUE)	1			Y07821	
005-1		KF00000042	TOP&MIDDLE COVER SET(BLUE)	1	O	Y07821	Y07927	
005-2		KF00000063	TOP&MIDDLE COVER SET(BLUE)	1	O	Y07927		
006		KF00000014	POD DRAWER	1			Y07821	
006-1		KF00000045	POD DRAWER	1	O	Y07821	Y07927	
006-2		KF00000067	POD DRAWER	1	O	Y07927		
007		KF00000013	FILTER SET	1			Y07927	
007-1		KF00000066	FILTER SET	1	O	Y07927		
008		KF00000012	DRAWER SET	1			Y07821	
008-1		KF00000044	DRAWER SET	1	O	Y07821	Y07927	
008-2		KF00000065	DRAWER SET	1	O	Y07927		
009		KF00000008	MAIN PCB SET	1			Y07927	
009-1		KF00000070	MAIN PCB SET	1	O	Y07927		
010		KF00000002	TAPPING SCREW ST3X12	2				
011		KF00000009	HEATING TUBE SET	1			Y07927	
011-1		KF00000062	HEATING TUBE SET	1	O	Y07927		
012		KF00000002	TAPPING SCREW ST3X12	1				
013		KF00000003	MAIN BODY (BLUE)	1			Y07927	
013-1		KF00000060	MAIN BODY (BLUE)	1	O	Y07927		
014		KF00000002	TAPPING SCREW ST3X12	6				
015		KF00000002	TAPPING SCREW ST3X12	3				
016		KF00000032	UNIVERSAL BATTERY HOLDER SET	1				
017		KF00000002	TAPPING SCREW ST3X12	3				
018		KF00000031	10.8V BATTERY HOLDER SET	1				
019		KF00000029	BATTERY BOX (BLUE)	1			Y07979	
019-1		KF00000072	BATTERY BOX (BLUE)	1	O	Y07979		
020		KF00000007	SCREW 3X10	2				
021		KF00000006	SLIDING COVER OF BATTERY SET	1			Y07979	
021-1		KF00000071	SLIDING COVER OF BATTERY SET	1	O	Y07979		
022		KF00000002	TAPPING SCREW ST3X12	2				
023		KF00000005	BUTTON PCB ASSEMBLY	1			Y09070	
023-1		KF00000052	BUTTON PCB ASSEMBLY	1	O	Y09070		
024		KF00000002	TAPPING SCREW ST3X12	2				
025		KF00000001	BASE SET	1				
	C10	KF00000028	FOOT	4				
026		KF00000002	TAPPING SCREW ST3X12	6				
027		KF00000021	CUP COVER	1			Y07927	
027-1		KF00000069	CUP COVER	1	O	Y07927		
028		KF00000020	STAINLESS CUP	1			Y07848	
028-1		KF00000020	STAINLESS CUP	1	O	Y07848		

A:
Interchange
O : Yes
X : No
< : the new part can be substituted for the current.
> : the current part can be substituted for the new.
S : Interchangeable as a set.