



VN	VIETNAM
----	---------

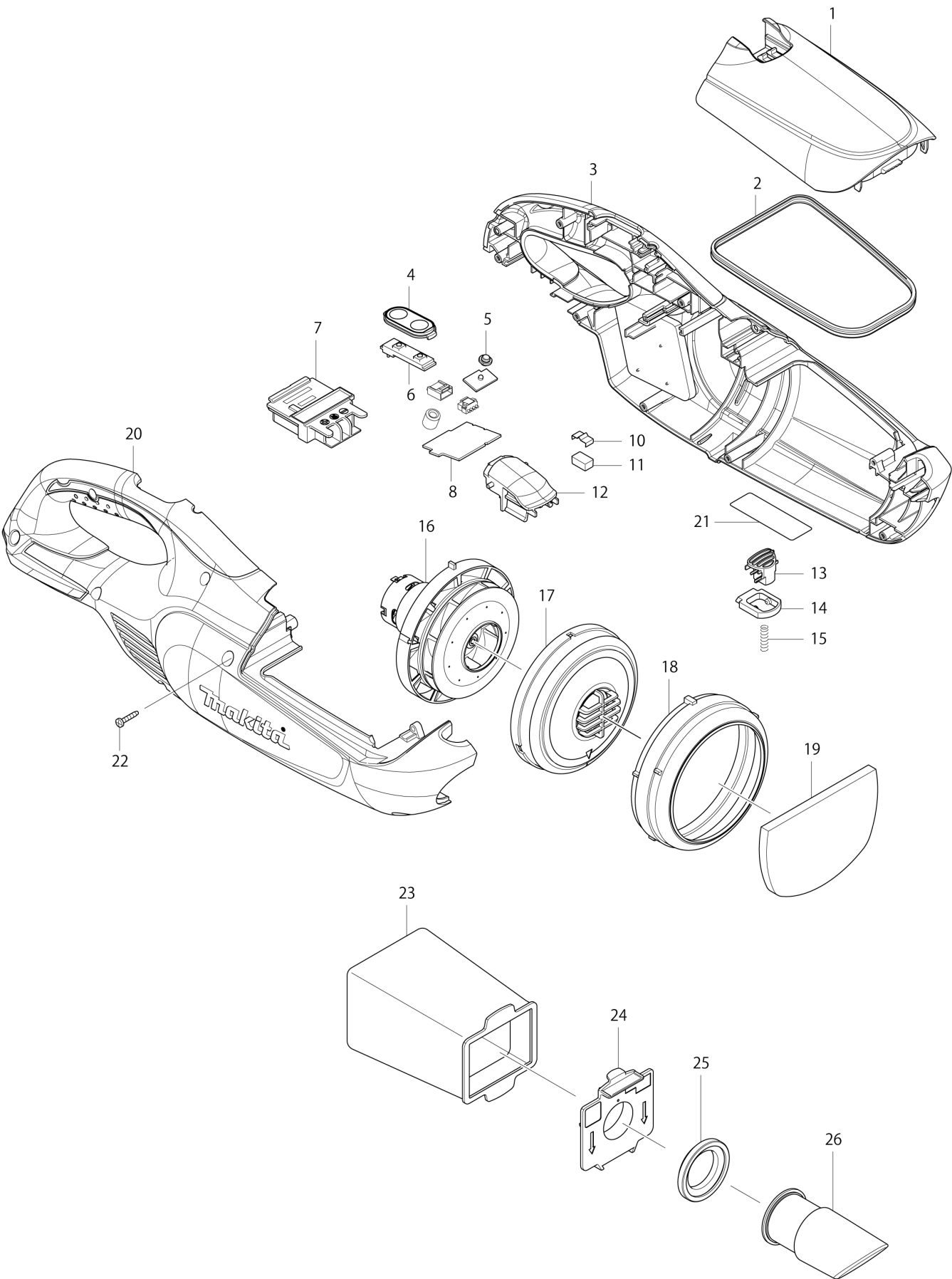
Diagram / Parts List

DCL182

CORDLESS CLEANER



(VN) DCL182 / CORDLESS CLEANER



VN	VIETNAM
-----------	----------------

DCL182 / CORDLESS CLEANER

Item	Sub	Parts No.	Parts Description	Qty	I/C	E/C No.	Close No.	Remark
001A		452349-8	FRONT COVER	1				
001B		456202-0	FRONT COVER	1				
001C		452348-0	FRONT COVER	1				
001D		452349-8	FRONT COVER	1				
001E		456202-0	FRONT COVER	1				
001F		452348-0	FRONT COVER	1				
002		424093-7	SEAL	1				
003A		188998-2	HOUSING SET	1				
003B		183E55-1	HOUSING SET	1				
003C		188991-6	HOUSING SET	1				
003D		188998-2	HOUSING SET	1				
003E		183E55-1	HOUSING SET	1				
003F		188991-6	HOUSING SET	1				
	C10	424209-4	SPONGE SHEET 50-50	2				
	D10		INC. 20					
004		140463-9	SWITCH PLATE COMPLETE	1				
	C10	816528-6	SWITCH LABEL	1				
005		450522-4	LENS	1				
006		631973-2	SWITCH UNIT	1				
007		643860-3	TERMINAL	1				
008-1		632H42-0	CONTROLLER UNIT	1				
	C10	654069-2	RECEPTACLE	2				
010		232264-0	LEAF SPRING	1				
011		424367-6	RUBBER	1				
012A		452347-2	FRONT COVER JOINT	1				
012B		456200-4	FRONT COVER JOINT	1				
012C		452346-4	FRONT COVER JOINT	1				
012D		452347-2	FRONT COVER JOINT	1				
012E		456200-4	FRONT COVER JOINT	1				
012F		452346-4	FRONT COVER JOINT	1				
013A		452351-1	BUTTON	1				
013B		456201-2	BUTTON	1				
013C		452350-3	BUTTON	1				
013D		452351-1	BUTTON	1				
013E		456201-2	BUTTON	1				
013F		452350-3	BUTTON	1				
014		452352-9	STOPPER	1				
015-1		233344-5	COMPRESSION SPRING 4	1				
016		125932-1	MOTOR ASSEMBLY	1				
	C10	240102-2	FAN 82	1				
	C20	265199-0	+ PAN HEAD SCREW M3X8	2				
	C30	452455-9	BASE	1				
017		416030-5	FAN COVER	1				
018		424320-2	RUBBER RING	1				
019-1		424804-0	SUPONGE SHEET 76-110	1				
020A		188998-2	HOUSING SET	1				
020B		183E55-1	HOUSING SET	1				
020C		188991-6	HOUSING SET	1				
020D		188998-2	HOUSING SET	1				
020E		183E55-1	HOUSING SET	1				
020F		188991-6	HOUSING SET	1				
	C10	424209-4	SPONGE SHEET 50-50	2				
	D10		INC. 3					
021		815G97-6	DCL182 NAME PLATE	1				
022		266429-2	TAPPING SCREW 3X16	9				
023		166084-9	DUST BAG	1				
024		141088-2	VALVE STAY COMPLETE	1			C1674	
024-1		143677-9	VALVE STAY COMPLETE	1	<	C1674		
025		424094-5	PACKING	1				
026A		452345-6	INLET	1				
026B		456199-3	INLET	1				
026C		452344-8	INLET	1				
026D		452345-6	INLET	1				
026E		456199-3	INLET	1				
026F		452344-8	INLET	1				

A:DCL182SY(H)
 B:DCL182SYB(H)
 C:DCL182SYW(H)
 D:DCL182Z(N)
 E:DCL182ZB(N)
 F:DCL182ZW(N)

Interchange
 O : Yes
 X : No
 < : the new part can be substituted for the current.
 > : the current part can be substituted for the new.
 S : Interchangeable as a set.

