



VN	VIETNAM
----	---------

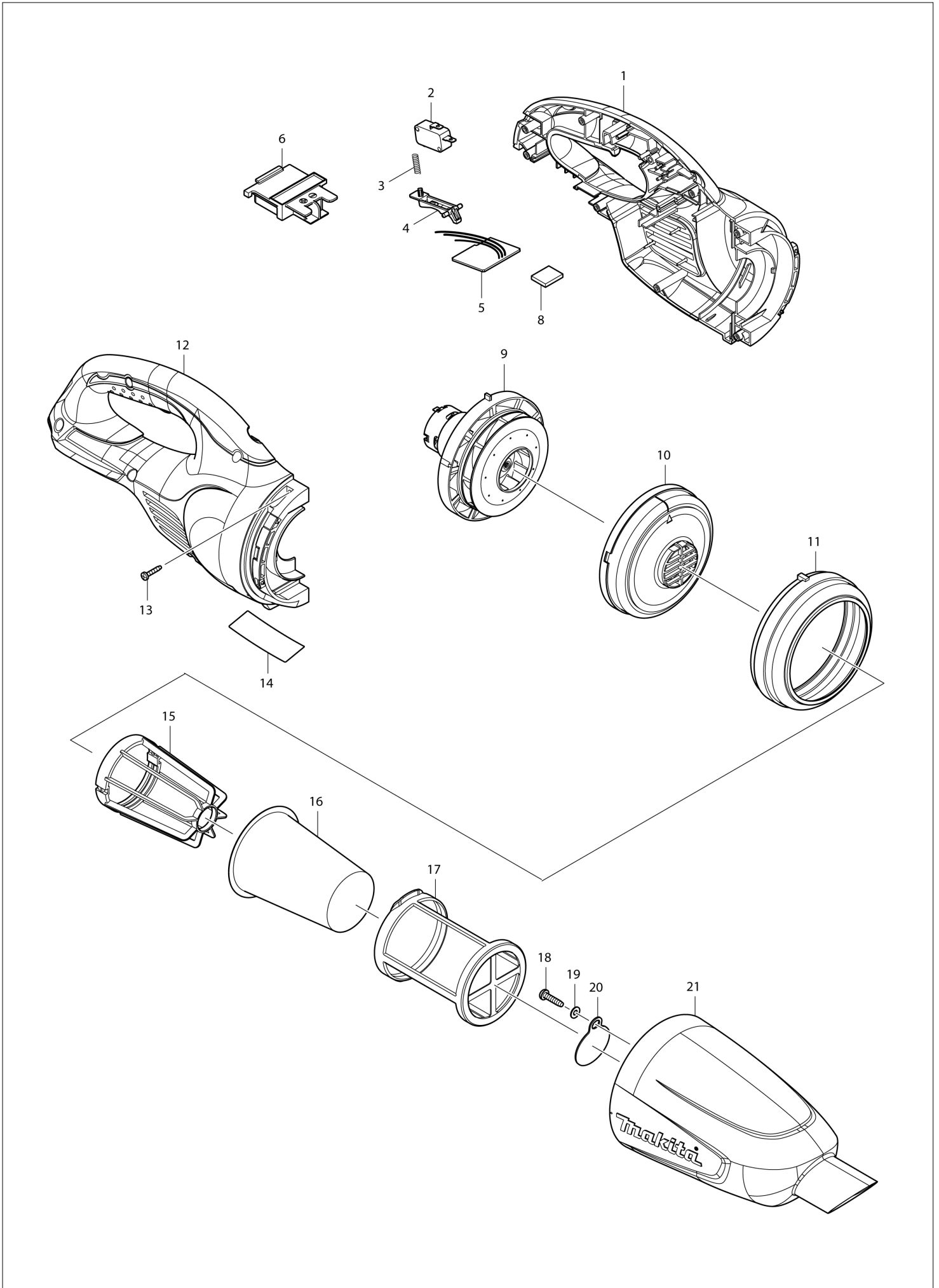
# Diagram / Parts List

**DCL180**

**CORDLESS CLEANER**



(VN) DCL180 / CORDLESS CLEANER



<b>VN</b>	<b>VIETNAM</b>
-----------	----------------

### DCL180 / CORDLESS CLEANER

Item	Sub	Parts No.	Parts Description	Qty	I/C	E/C No.	Close No.	Remark
001B		187458-1	HOUSING SET	1				
001C		187458-1	HOUSING SET	1				
001D		187460-4	HOUSING SET	1				
001E		187460-4	HOUSING SET	1				
001F		183E54-3	HOUSING SET	1				
001G		183E54-3	HOUSING SET	1				
	C10	424209-4	SPONGE SHEET 50-50	2				
	D10		INC. 12					
002		651891-8	SWITCH V-15-3A6	1				
003		231473-8	COMPRESSION SPRING 4	1				
004		451227-9	SWITCH LEVER	1				
005B		638936-9	CONTROLLER UNIT	1				
005C		638936-9	CONTROLLER UNIT	1				
005D		638936-9	CONTROLLER UNIT	1				
005E		638936-9	CONTROLLER UNIT	1				
005-1F		638936-9	CONTROLLER UNIT	1				
005-1G		638936-9	CONTROLLER UNIT	1				
006		643860-3	TERMINAL	1				
008		424248-4	SPONGE SHEET 15-25	1				
009		125867-6	MOTOR ASS'Y	1				
	C10	452455-9	BASE	1				
	C20	265199-0	+ PAN HEAD SCREW M3X8	2				
	C30	240102-2	FAN 82	1				
010		416030-5	FAN COVER	1				
011		424320-2	RUBBER RING	1				
012B		187458-1	HOUSING SET	1				
012C		187458-1	HOUSING SET	1				
012D		187460-4	HOUSING SET	1				
012E		187460-4	HOUSING SET	1				
012F		183E54-3	HOUSING SET	1				
012G		183E54-3	HOUSING SET	1				
	C10	424209-4	SPONGE SHEET 50-50	2				
	D10		INC. 1					
013		266429-2	TAPPING SCREW 3X16	7				
014		815F73-4	DCL180 NAME PLATE	1				
015		410237-5	STAY	1			C1159	
015-1		458467-0	STAY	1	<	C1159		
016		443060-3	FILTER	1				
017		451208-3	PRE-FILTER	1				
018		265995-6	TAPPING SCREW 4X18	1				
019		941051-3	FLAT WASHER 4	1				
020		424208-6	VALVE	1				
021B		451235-0	CAPSULE	1				
021C		451235-0	CAPSULE	1				
021D		451226-1	CAPSULE	1				
021E		451226-1	CAPSULE	1				
021F		456196-9	CAPSULE	1				
021G		456196-9	CAPSULE	1				
022		424308-2	SPONGE SHEET 50-36	1				
023B		632H18-7	FUSE UNIT	1		B2684		
023C		632H18-7	FUSE UNIT	1				
023D		632H18-7	FUSE UNIT	1				
023E		632H18-7	FUSE UNIT	1				
023F		632H18-7	FUSE UNIT	1				
023G		632H18-7	FUSE UNIT	1				
024		422268-2	SPONGE SHEET 57	1		C1159		
A01B		122859-6	NOZZLE ASS'Y	1			A9870	
	C10	451410-8	ROLLER	4			A9870	
	C20	268208-4	PIN 3	4			A9870	
	C30	424096-1	WIPER	1			A9870	
A01-1B		123488-8	FLOOR T-NOZZLE 28 BLU	1	<	A9870		
	C10	451410-8	ROLLER	4		A9870		
	C20	268208-4	PIN 3	4		A9870		
	C30	424096-1	WIPER	1		A9870		
A01-1C		123488-8	FLOOR T-NOZZLE 28 BLU	1				

B:DCL180Z(N)  
C:DCL180SY(H)  
D:DCL180SYW(H)  
E:DCL180ZW(N)  
F:DCL180SYB(H)  
G:DCL180ZB(N)

Interchange  
O : Yes  
X : No  
< : the new part can be substituted for the current.  
> : the current part can be substituted for the new.  
S : Interchangeable as a set.

