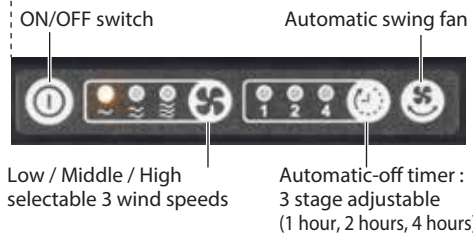


Compact size allows installation even in tight spaces



Photo : DCF102

Unlock button (DCF102 only)



Low / Middle / High selectable 3 wind speeds

Automatic-off timer : 3 stage adjustable (1 hour, 2 hours, 4 hours)

Fan
ø **180 mm**

Max wind speed
180 m/min



AC Adapter jack (option)

Automatic swing fan



Fan tilts up/ down

Fan head angle can be adjusted from side to side and up and down



- 3 settings (High 180 m/s, Medium 150 m/s, Low 120 m/s) for optimal air velocity control
- Very compact but 180 mm (7-1/8") Large fan produces strong enough air flow.

Adjustable handle



Can be mounted on some tripods

Run time (approx): min.

*with Battery fuel gauge

DCF102				CF101D					
LXT 18V LITHIUM-ION	BL1815N 18V 1.5Ah	*BL1830B 18V 3.0Ah	*BL1850B 18V 5.0Ah		CXT 12V max LITHIUM-ION	BL1016 12V max 1.5Ah			
	*BL1820B 18V 2.0Ah	*BL1840B 18V 4.0Ah	*BL1860B 18V 6.0Ah			*BL1021B 12V max 2.0Ah			
LXT 14.4V LITHIUM-ION	BL1415N 14.4V 1.5Ah	BL1440 14.4V 4.0Ah		Low	Medium	High	Low	Medium	High
	*BL1430B 14.4V 3.0Ah	BL1450 14.4V 5.0Ah		1270	705	575	630	380	275

Cordless Fan DCF102 18V, 14.4V / AC / CF101D 12V max / AC

	DCF102	CF101D
Electronic 3-Speed		
Max Continuous Use (min.)	w/ BL1860B : Low / Medium / High : 1270 / 705 / 575	w/ BL1041B : Low / Medium / High : 630 / 380 / 275
Dimensions (L x W x H)	185x272x284 mm (7-1/4"x10-3/10"x11-1/8")	185x260x284 mm (7-1/4"x10-1/4"x11-1/8")
Net weight	1.3 - 2.0 kg (2.9 - 4.4 lbs.)	1.3 - 1.7 kg (2.8 - 3.8 lbs.)

The weight may differ depending on the attachment(s), including the battery cartridge.
Items of standard equipment and specifications may vary by country or area.

Makita Corporation

3-11-8 Sumiyoshi-cho, Anjo, Aichi, 446-8502 Japan

PRINTED IN JAPAN 201804



Cordless Fan
DCF102 18V, 14.4V / AC
CF101D 12V max / AC



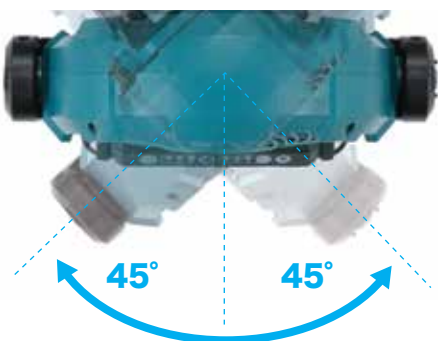
Automatic Swing Fan



Photo : DCF102

Max wind speed **180** m/min

Automatically Swings 45° L/R



DCF102



CF101D

