



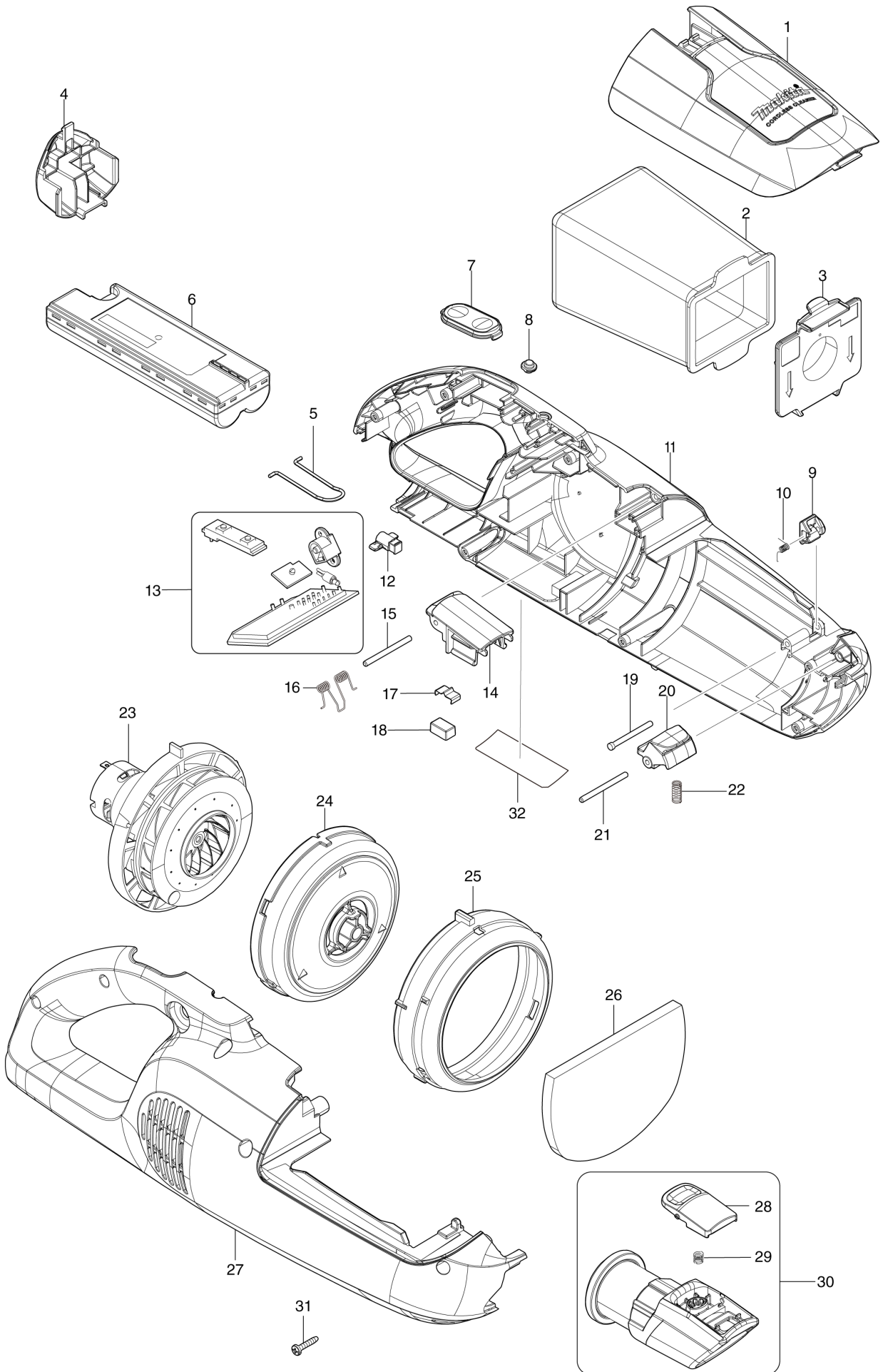
VN	VIETNAM
----	---------

Diagram / Parts List

CL114FD

CORDLESS CLEANER

(VN) CL114FD / CORDLESS CLEANER



VN | VIETNAM**CL114FD / CORDLESS CLEANER**

Item	Sub	Parts No.	Parts Description	Qty	I/C	E/C No.	Close No.	Remark
001		140W12-0	FRONT COVER COMPLETE	1				
	C10	458927-2	SEAL	1				
002		166119-6	EASY SHAKE OFF DUST BAG	1				
003		143677-9	VALVE STAY COMPLETE	1				
004		454080-2	COVER	1				
005		324885-3	HANGER	1				
006		632R12-9	BATTERY	1				
007		144096-2	SWITCH PLATE COMPLETE	1				
008		450522-4	LENS	1				
009		458943-4	STOPPER PLATE	1				
010		232484-6	TORSION SPRING 4	1				
011		183R32-1	HOUSING SET	1				
	C10	423444-1	SPONGE SHEET 52-76	2				
	D10		INC. 27					
012		140K40-3	LENS CASE COMPLETE	1				
013		620985-0	CONTROLLER	1			DB161	
013-1		620H15-5	CONTROLLER	1	<	DB161		
014		458932-9	FRONT COVER JOINT	1				
015		268271-7	PIN 3	1				
016		233580-3	TORSION SPRING 4	1				
017		232264-0	LEAF SPRING	1				
018		424367-6	RUBBER	1				
019		256590-3	FLAT FILLISTER HD. PIN 3	1				
020		458933-7	BUTTON B	1				
021		268271-7	PIN 3	1				
022		233344-5	COMPRESSION SPRING 4	1				
023		127090-9	MOTOR ASSEMBLY	1				
024		459035-2	FAN COVER	1				
025		422421-0	RUBBER RING	1				
026		424804-0	SUPONGE SHEET 76-110	1				
027		183R32-1	HOUSING SET	1				
	C10	423444-1	SPONGE SHEET 52-76	2				
	D10		INC. 11					
028		458939-5	BUTTON A	1				
029		232485-4	COMPRESSION SPRING 5	1				
030		136033-0	INLET ASSY	1				
	C10	424094-5	PACKING	1				
	D10		INC. 28,29					
031		266130-9	TAPPING SCREW BIND PT 3X16	8				
032		857R57-8	CL114FD NAME PLATE	1				
A01		198755-0	NOZZLE ASSEMBLY SET	1				
	C10	451410-8	ROLLER	4				
	C20	743108-4	BRUSH 205	1				
A02		194566-1	PAPER FILTER SET (5PCS/SET)	1				
A03		416041-0	SASH NOZZLE 28 IVO	1				
A04		458940-0	PIPE	1				
A05		459036-0	NOZZLE HOLDER	1				
A06		***DC1002	DC1002 BATTERY CHARGER	1				

Interchange
O : Yes
X : No
< : the new part can be substituted for the current.
> : the current part can be substituted for the new.
S : Interchangeable as a set.