



VN	VIETNAM
----	---------

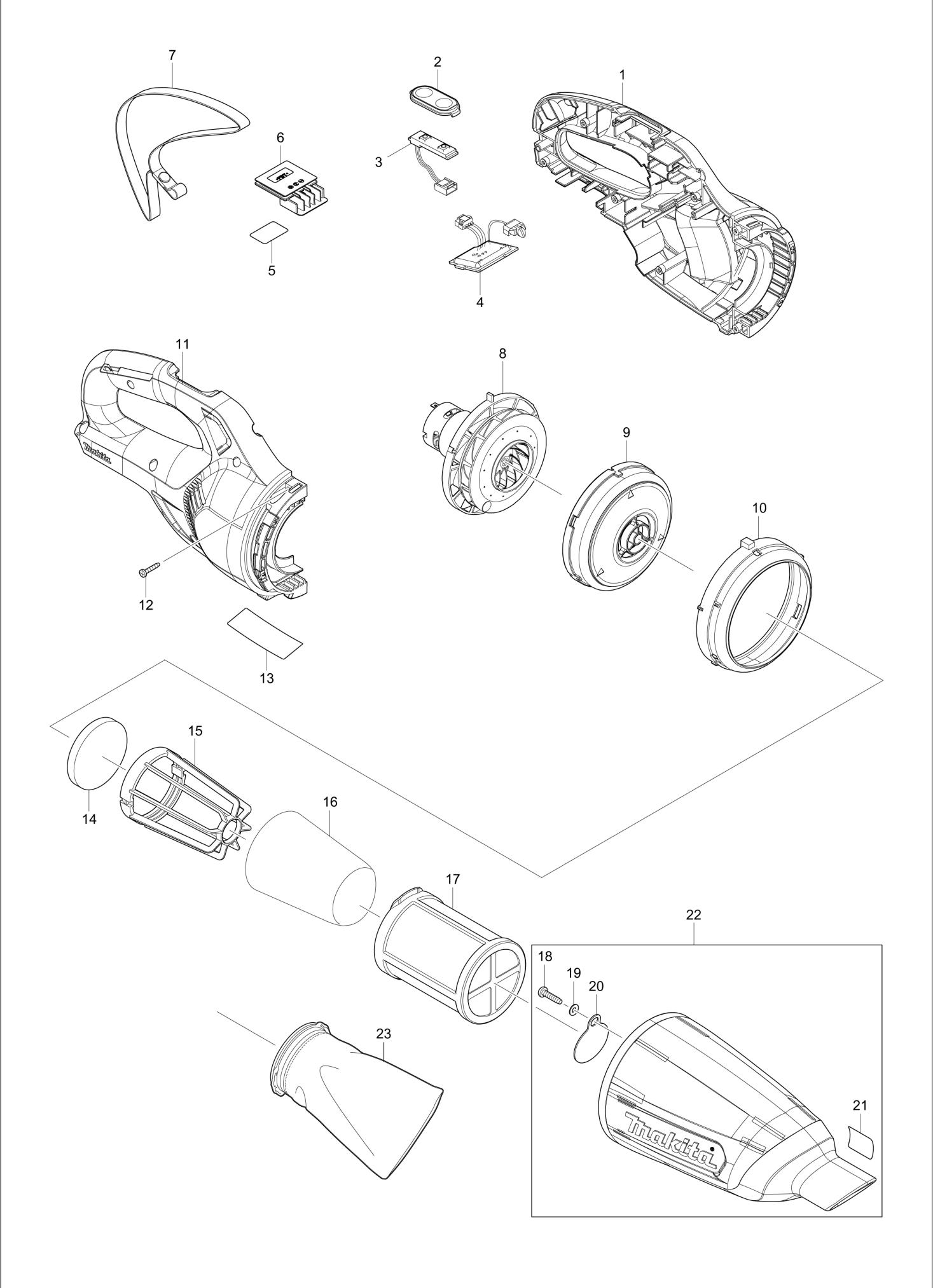
Diagram / Parts List

CL108FD

CORDLESS CLEANER



(VN) CL108FD / CORDLESS CLEANER



VN	VIETNAM
-----------	----------------

CL108FD / CORDLESS CLEANER

Item	Sub	Parts No.	Parts Description	Qty	I/C	E/C No.	Close No.	Remark
001A		183K49-2	HOUSING SET	1			C7869	
	C10	424913-5	SPONGE SHEET 35-70	2			C7869	
	D10		INC. 11				C7869	
001C		183K48-4	HOUSING SET	1			C7869	
	C10	424913-5	SPONGE SHEET 35-70	2			C7869	
	D10		INC. 11				C7869	
001D		183K49-2	HOUSING SET	1			C7869	
	C10	424913-5	SPONGE SHEET 35-70	2			C7869	
	D10		INC. 11				C7869	
001E		183K48-4	HOUSING SET	1			C7869	
	C10	424913-5	SPONGE SHEET 35-70	2			C7869	
	D10		INC. 11				C7869	
001F		183K49-2	HOUSING SET	1			C7869	
	C10	424913-5	SPONGE SHEET 35-70	2			C7869	
	D10		INC. 11				C7869	
001G		183K48-4	HOUSING SET	1			C7869	
	C10	424913-5	SPONGE SHEET 35-70	2			C7869	
	D10		INC. 11				C7869	
001-1A		183L99-3	HOUSING SET	1	O		C7869	
	C10	424913-5	SPONGE SHEET 35-70	2			C7869	
	D10		INC. 11				C7869	
001-1C		183L97-7	HOUSING SET	1	O		C7869	
	C10	424913-5	SPONGE SHEET 35-70	2			C7869	
	D10		INC. 11				C7869	
001-1D		183L99-3	HOUSING SET	1	O		C7869	
	C10	424913-5	SPONGE SHEET 35-70	2			C7869	
	D10		INC. 11				C7869	
001-1E		183L97-7	HOUSING SET	1	O		C7869	
	C10	424913-5	SPONGE SHEET 35-70	2			C7869	
	D10		INC. 11				C7869	
001-1F		183L99-3	HOUSING SET	1	O		C7869	
	C10	424913-5	SPONGE SHEET 35-70	2			C7869	
	D10		INC. 11				C7869	
001-1G		183L97-7	HOUSING SET	1	O		C7869	
	C10	424913-5	SPONGE SHEET 35-70	2			C7869	
	D10		INC. 11				C7869	
001-1H		183T11-1	HOUSING SET	1				
	C10	424913-5	SPONGE SHEET 35-70	2				
	D10		INC. 11					
002		144096-2	SWITCH PLATE COMPLETE	1				
003		631973-2	SWITCH UNIT	1				
004A		632N06-0	CONTROLLER UNIT	1			D5628	
	C10	620601-4	LED CIRCUIT	1			D5628	
004C		632N06-0	CONTROLLER UNIT	1			D5628	
	C10	620601-4	LED CIRCUIT	1			D5628	
004D		632N06-0	CONTROLLER UNIT	1			D5628	
	C10	620601-4	LED CIRCUIT	1			D5628	
004E		632N06-0	CONTROLLER UNIT	1			D5628	
	C10	620601-4	LED CIRCUIT	1			D5628	
004F		632N06-0	CONTROLLER UNIT	1			D5628	
	C10	620601-4	LED CIRCUIT	1			D5628	
004G		632N06-0	CONTROLLER UNIT	1			D5628	
	C10	620601-4	LED CIRCUIT	1			D5628	
004-1A		632R94-1	CONTROLLER UNIT	1	<		D5628	
	C11	620E97-9	LED CIRCUIT	1	<		D5628	
004-1C		632R94-1	CONTROLLER UNIT	1	<		D5628	
	C11	620E97-9	LED CIRCUIT	1	<		D5628	
004-1D		632R94-1	CONTROLLER UNIT	1	<		D5628	
	C11	620E97-9	LED CIRCUIT	1	<		D5628	
004-1E		632R94-1	CONTROLLER UNIT	1	<		D5628	
	C11	620E97-9	LED CIRCUIT	1	<		D5628	
004-1F		632R94-1	CONTROLLER UNIT	1	<		D5628	
	C11	620E97-9	LED CIRCUIT	1	<		D5628	
004-1G		632R94-1	CONTROLLER UNIT	1	<		D5628	
	C11	620E97-9	LED CIRCUIT	1	<		D5628	

A:CL108FDZ(N)
 C:CL108FDZW(N)
 D:CL108FDSY(H)
 E:CL108FDSYW(H)
 F:CL108FDWY(H)
 G:CL108FDWYW(H)

H:CL108FDSAP(H)

Interchange
 O : Yes
 X : No
 < : the new part can be substituted for the current.
 > : the current part can be substituted for the new.
 S : Interchangeable as a set.

VN	VIETNAM
-----------	----------------

CL108FD / CORDLESS CLEANER

Item	Sub	Parts No.	Parts Description	Qty	I/C	E/C No.	Close No.	Remark
004-1H		632R94-1	CONTROLLER UNIT	1				
	C11	620E97-9	LED CIRCUIT	1				
005		854T81-4	CL108FD SERIAL NO. LABEL	1				
006		644813-5	TERMINAL	1				
007A		163400-6	HANDSTRAP	1		D9597		
007C		163400-6	HANDSTRAP	1		D9597		
007D		163400-6	HANDSTRAP	1		D9597		
007E		163400-6	HANDSTRAP	1		D9597		
007F		163400-6	HANDSTRAP	1		D9597		
007G		163400-6	HANDSTRAP	1		D9597		
007H		163400-6	HANDSTRAP	1				
008		126846-7	MOTOR ASSEMBLY	1				
009		458834-9	FAN COVER	1				
010		422377-7	RUBBER RING	1				
011A		183K49-2	HOUSING SET	1			C7869	
	C10	424913-5	SPONGE SHEET 35-70	2			C7869	
	D10		INC. 1				C7869	
011C		183K48-4	HOUSING SET	1			C7869	
	C10	424913-5	SPONGE SHEET 35-70	2			C7869	
	D10		INC .1				C7869	
011D		183K49-2	HOUSING SET	1			C7869	
	C10	424913-5	SPONGE SHEET 35-70	2			C7869	
	D10		INC. 1				C7869	
011E		183K48-4	HOUSING SET	1			C7869	
	C10	424913-5	SPONGE SHEET 35-70	2			C7869	
	D10		INC .1				C7869	
011F		183K49-2	HOUSING SET	1			C7869	
	C10	424913-5	SPONGE SHEET 35-70	2			C7869	
	D10		INC. 1				C7869	
011G		183K48-4	HOUSING SET	1			C7869	
	C10	424913-5	SPONGE SHEET 35-70	2			C7869	
	D10		INC .1				C7869	
011-1A		183L99-3	HOUSING SET	1	O	C7869		
	C10	424913-5	SPONGE SHEET 35-70	2			C7869	
	D10		INC. 1				C7869	
011-1C		183L97-7	HOUSING SET	1	O	C7869		
	C10	424913-5	SPONGE SHEET 35-70	2			C7869	
	D10		INC .1				C7869	
011-1D		183L99-3	HOUSING SET	1	O	C7869		
	C10	424913-5	SPONGE SHEET 35-70	2			C7869	
	D10		INC. 1				C7869	
011-1E		183L97-7	HOUSING SET	1	O	C7869		
	C10	424913-5	SPONGE SHEET 35-70	2			C7869	
	D10		INC .1				C7869	
011-1F		183L99-3	HOUSING SET	1	O	C7869		
	C10	424913-5	SPONGE SHEET 35-70	2			C7869	
	D10		INC. 1				C7869	
011-1G		183L97-7	HOUSING SET	1	O	C7869		
	C10	424913-5	SPONGE SHEET 35-70	2			C7869	
	D10		INC .1				C7869	
011-1H		183T11-1	HOUSING SET	1				
	C10	424913-5	SPONGE SHEET 35-70	2				
	D10		INC .1					
012		266429-2	TAPPING SCREW 3X16	7				
013		854T75-9	CL108FD NAME PLATE	1				
014		422268-2	SPONGE SHEET 57	1				
015		458467-0	STAY	1				
016		443060-3	FILTER	1				
017		451208-3	PRE-FILTER	1				
018A		265995-6	TAPPING SCREW 4X18	1			C1547	
018C		265995-6	TAPPING SCREW 4X18	1			C1547	
018D		265995-6	TAPPING SCREW 4X18	1			C1547	
018E		265995-6	TAPPING SCREW 4X18	1			C1547	
018F		265995-6	TAPPING SCREW 4X18	1			C1547	
018G		265995-6	TAPPING SCREW 4X18	1			C1547	

A:CL108FDZ(N)
 C:CL108FDZW(N)
 D:CL108FDSY(H)
 E:CL108FDSYW(H)
 F:CL108FDWY(H)
 G:CL108FDWYW(H)

H:CL108FDSAP(H)

Interchange
 O : Yes
 X : No
 < : the new part can be substituted for the current.
 > : the current part can be substituted for the new.
 S : Interchangeable as a set.

VN	VIETNAM
-----------	----------------

CL108FD / CORDLESS CLEANER

Item	Sub	Parts No.	Parts Description	Qty	I/C	E/C No.	Close No.	Remark
018H		266326-2	TAPPING SCREW 4X18	1				
018-1A		266326-2	TAPPING SCREW 4X18	1	O	C1547		
018-1C		266326-2	TAPPING SCREW 4X18	1	O	C1547		
018-1D		266326-2	TAPPING SCREW 4X18	1	O	C1547		
018-1E		266326-2	TAPPING SCREW 4X18	1	O	C1547		
018-1F		266326-2	TAPPING SCREW 4X18	1	O	C1547		
018-1G		266326-2	TAPPING SCREW 4X18	1	O	C1547		
019		941051-3	FLAT WASHER 4	1				
020		424208-6	VALVE	1				
021		809293-4	INDICATION LABEL	1				
022A		140G25-5	CAPSULE COMPLETE	1				
022C		140G24-7	CAPSULE COMPLETE	1				
022D		140G25-5	CAPSULE COMPLETE	1				
022E		140G24-7	CAPSULE COMPLETE	1				
022F		140G25-5	CAPSULE COMPLETE	1				
022G		140G24-7	CAPSULE COMPLETE	1				
022H		141D85-2	CAPSULE COMPLETE	1				
	D10		INC. 18-21					
A01A		123488-8	FLOOR T-NOZZLE 28 BLU	1				
A01C		123486-2	FLOOR T-NOZZLE 28 WHI	1				
A01D		123488-8	FLOOR T-NOZZLE 28 BLU	1				
A01E		123486-2	FLOOR T-NOZZLE 28 WHI	1				
A01F		123488-8	FLOOR T-NOZZLE 28 BLU	1				
A01G		123486-2	FLOOR T-NOZZLE 28 WHI	1				
A01H		123843-4	FLOOR T-NOZZLE 28 PNK	1				
	C10	451410-8	ROLLER	4				
	C20	268208-4	PIN 3	4				
	C30	424096-1	WIPER	1				
A02A		451243-1	SASH NOZZLE 28 BLU	1				
A02C		451240-7	SASH NOZZLE 28 WHI	1				
A02D		451243-1	SASH NOZZLE 28 BLU	1				
A02E		451240-7	SASH NOZZLE 28 WHI	1				
A02F		451243-1	SASH NOZZLE 28 BLU	1				
A02G		451240-7	SASH NOZZLE 28 WHI	1				
A02H		457228-5	SASH NOZZLE 28 PNK	1				
A03A		451244-9	PIPE	1				
A03C		451241-5	PIPE	1				
A03D		451244-9	PIPE	1				
A03E		451241-5	PIPE	1				
A03F		451244-9	PIPE	1				
A03G		451241-5	PIPE	1				
A03H		457231-6	PIPE 465-28 PNK	1				
A04A		451245-7	SASH NOZZLE HOLDER	1				
A04C		451242-3	SASH NOZZLE HOLDER	1				
A04D		451245-7	SASH NOZZLE HOLDER	1				
A04E		451242-3	SASH NOZZLE HOLDER	1				
A04F		451245-7	SASH NOZZLE HOLDER	1				
A04G		451242-3	SASH NOZZLE HOLDER	1				
A04H		457229-3	SASH NOZZLE HOLDER	1				
A05D		456128-6	BATTERY COVER	1				
A05E		456128-6	BATTERY COVER	1				
A05F		456128-6	BATTERY COVER	1				
A05G		456128-6	BATTERY COVER	1				
A05H		456128-6	BATTERY COVER	1				
A06D		***DC10SB	DC10SB BATTERY CHARGER	1				
A06E		***DC10SB	DC10SB BATTERY CHARGER	1				
A06F		***DC10WD	DC10WD BATTERY CHARGER	1				
A06G		***DC10WD	DC10WD BATTERY CHARGER	1				
A06H		***DC10SB	DC10SB BATTERY CHARGER	1				
A07D		197393-5	BATTERY BL1016 SET	1				
A07E		197393-5	BATTERY BL1016 SET	1				
A07F		197393-5	BATTERY BL1016 SET	1				
A07G		197393-5	BATTERY BL1016 SET	1				
A07H		197396-9	BATTERY BL1021B SET	1				
A:CL108FDZ(N) C:CL108FDZW(N) D:CL108FDSY(H) E:CL108FDSYW(H) F:CL108FDWY(H) G:CL108FDWYW(H)						H:CL108FDSAP(H)		Interchange O : Yes X : No < : the new part can be substituted for the current. > : the current part can be substituted for the new. S : Interchangeable as a set.