



VN	VIETNAM
----	---------

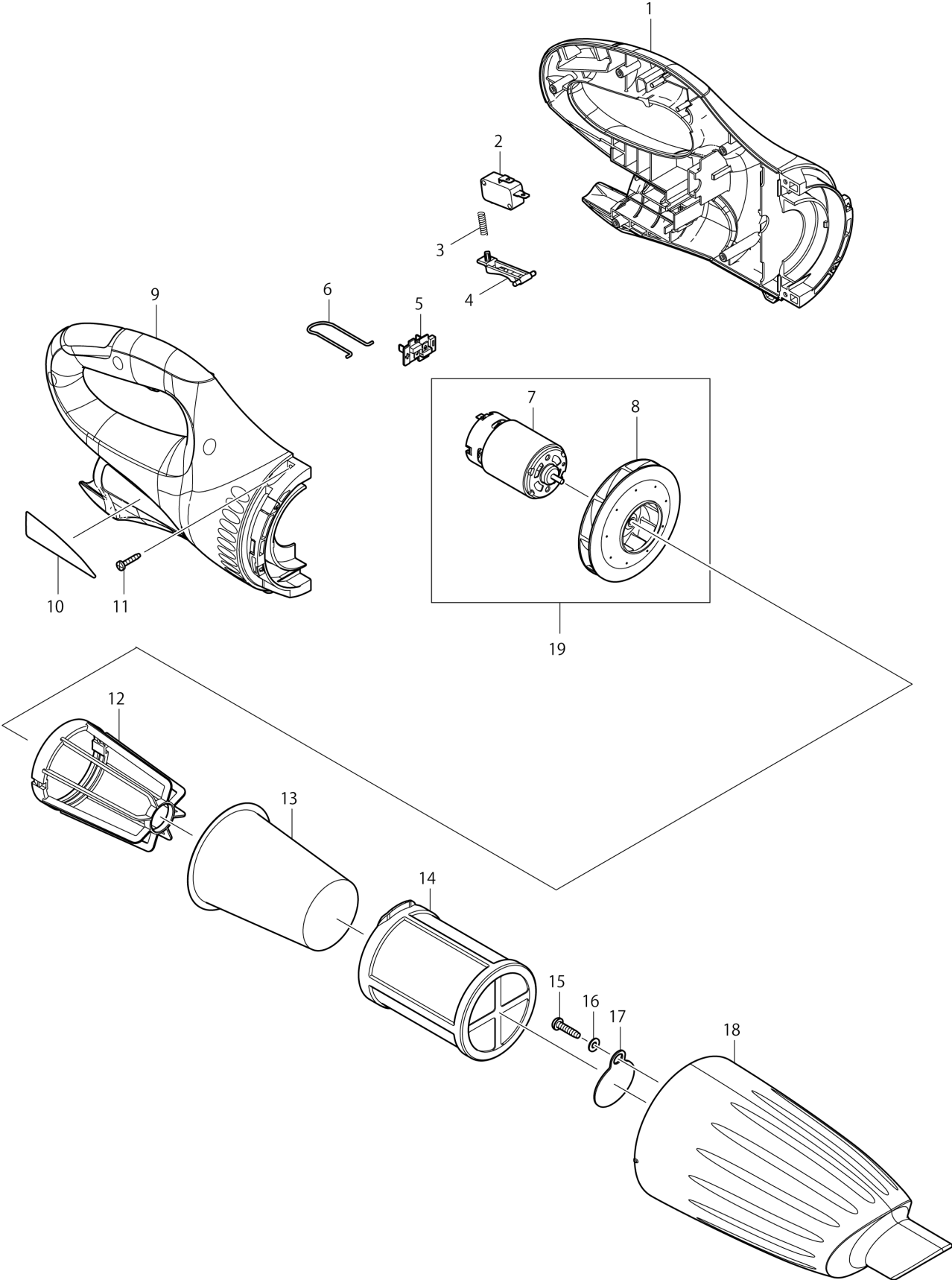
Diagram / Parts List

CL100D

CORDLESS CLEANER



(VN) CL100D / CORDLESS CLEANER



VN	VIETNAM
-----------	----------------

CL100D / CORDLESS CLEANER

Item	Sub	Parts No.	Parts Description	Qty	I/C	E/C No.	Close No.	Remark
001		188688-7	HOUSING SET	1			89202	
	D10		INC. 9				89202	
001-1		188977-0	HOUSING SET	1	<	89202	D8194	
	D10		INC. 9			89202	D8194	
001-2		183T04-8	HOUSING SET	1	<	D8194		
	D10		INC. 9			D8194		
002		651944-3	SWITCH DMC-1115-13	1				
003		231473-8	COMPRESSION SPRING 4	1				
004		451210-6	SWITCH LEVER	1				
005		643817-4	TERMINAL	1				
006		324885-3	HANGER	1				
007		629865-7	DC MOTOR	1				
008		240102-2	FAN 82	1				
009		188688-7	HOUSING SET	1			89202	
	D10		INC. 1				89202	
009-1		188977-0	HOUSING SET	1	<	89202	D8194	
	D10		INC. 1			89202	D8194	
009-2		183T04-8	HOUSING SET	1	<	D8194		
	D10		INC. 1			D8194		
010		866700-0	CL100D NAME PLATE	1				
011		266429-2	TAPPING SCREW 3X16	7				
012		410237-5	STAY	1			C1159	
012-1		458467-0	STAY	1	O	C1159		
013		443060-3	FILTER	1				
014		451208-3	PRE-FILTER	1				
015		265995-6	TAPPING SCREW 4X18	1				
016		941051-3	FLAT WASHER 4	1				
017		424208-6	VALVE	1				
018		451207-5	CAPSULE	1				
019		135405-6	MOTOR ASSEMBLY	1		Y05561		
	D10		INC. 7,8			Y05561		
020		632H17-9	FUSE UNIT	1		B2684		
A01A		122861-9	NOZZLE ASS'Y	1			86575	
	C10	268208-4	PIN 3	4			86575	
	C20	424095-3	ROLLER	4			86575	
	C30	424096-1	WIPER	1			86575	
A01-1A		122861-9	NOZZLE ASS'Y	1	O	86575	A9870	
	C10	268208-4	PIN 3	4		86575	A9870	
	C21	451410-8	ROLLER	4		86575	A9870	
	C30	424096-1	WIPER	1		86575	A9870	
A01-1B		122861-9	NOZZLE ASS'Y	1			A9870	
	C10	268208-4	PIN 3	4			A9870	
	C21	451410-8	ROLLER	4			A9870	
	C30	424096-1	WIPER	1			A9870	
A01-2		123485-4	FLOOR T-NOZZLE 28 IVO	1	<	A9870		
	C10	268208-4	PIN 3	4		A9870		
	C21	451410-8	ROLLER	4		A9870		
	C30	424096-1	WIPER	1		A9870		
A02		416041-0	SASH NOZZLE 28 IVO	1				
A03		451424-7	PIPE	1				
A04		416043-6	SASH NOZZLE HOLDER (IVORY)	1				
A05B		***DC10WA	DC10WA BATTERY CHARGER	1				
A06B		194550-6	BATTERY BL1013 SET	1			C9571	
A06-1B		196066-7	BATTERY BL1013 SET	1	O	C9571		

A:CL100DZ(N)
B:CL100DW(H)

Interchange
O : Yes
X : No
< : the new part can be substituted for the current.
> : the current part can be substituted for the new.
S : Interchangeable as a set.