



VN	VIETNAM
----	---------

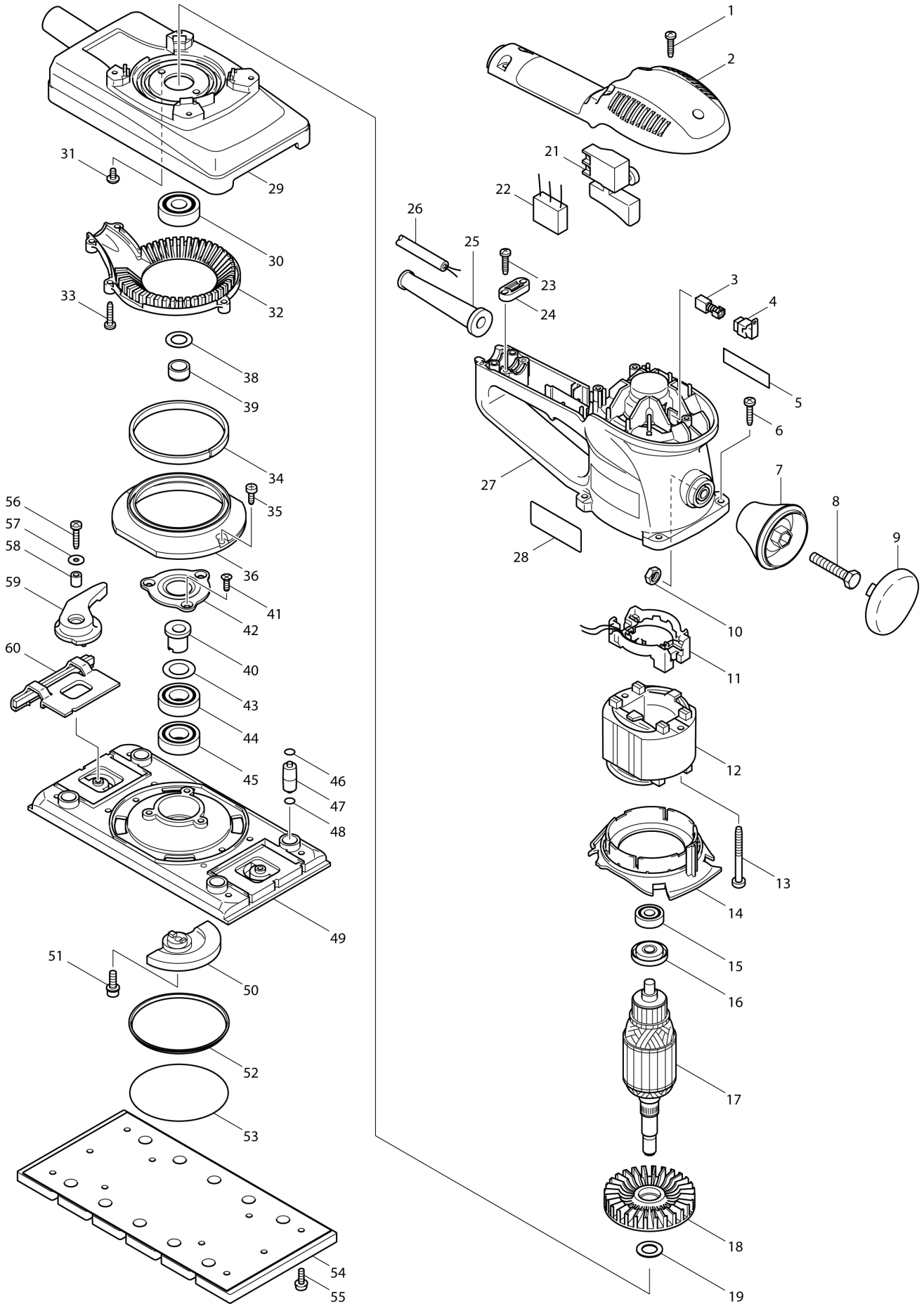
# Diagram / Parts List

**BO4901**

**FINISHING SANDER**



(VN) BO4901 / FINISHING SANDER



<b>VN</b>	<b>VIETNAM</b>
-----------	----------------

### BO4901 / FINISHING SANDER

Item	Sub	Parts No.	Parts Description	Qty	I/C	E/C No.	Close No.	Remark
001		265995-6	TAPPING SCREW 4X18	5				
002		417779-0	TOP COVER	1				
003		A-81284	CARBON BRUSH CB-419A	1			83185	
003-1		B-80086	CARBON BRUSH SET CB-419A	1	O	83185	85070	
003-2		B-80422	CARBON BRUSH SET CB-419A	1	<	85070		
004		643923-5	BRUSH HOLDER	2				
005		819063-3	MAKITA LABEL	1				
006		266042-6	TAPPING SCREW BIND CT 4X20	4				
007		417774-0	KNOB	1				
008		921467-8	HEX. BOLT M8X45	1				
009		417775-8	KNOB COVER	1				
010		931403-6	HEX. NUT M8	1				
011		638134-5	SUPPORT COMPLETE	1				
012		634463-4	FIELD 220V	1				
013		266046-8	TAPPING SCREW 5X50	2				
014		417777-4	BAFFLE PLATE	1				
015		210005-4	BALL BEARING 608DDW	1				
016		681644-1	INSULATION WASHER	1				
017		513503-0	ARMATURE ASS'Y 220V	1				
	D10		INC. 15,16,18					
018		240043-2	FAN 70	1				
019		253744-3	FLAT WASHER 12	1				
021		651286-5	SWITCH SGEL206C-5	1				
023		265995-6	TAPPING SCREW 4X18	2				
024		687053-2	STRAIN RELIEF	1				
025		682504-0	CORD GUARD 10-85	1				
026		691015-4	POWER SUPPLY CORD 0.75-2-2.5	1				
027		183419-9	MOTOR HOUSING	1				
	D10		INC. 5					
028		853507-3	NAME PLATE BO4901	1				
029		317538-1	FRAME	1				
030		211129-9	BALL BEARING 6201DDW	1				
031		251291-8	+ SCREW M4X8	2				
032		417782-1	SCROLL COVER	1				
033		266042-6	TAPPING SCREW BIND CT 4X20	5				
034		443108-1	FELT 6X225X3	1				
035		266026-4	TAPPING SCREW BIND CT 4X12	2				
036		417772-4	DUST GUIDE	1				
038		267212-0	FLAT WASHER 12	1				
039		214109-4	PLANE BEARING 12	1				
040		313104-2	SLEEVE	1				
041		266058-1	TAPPING SCREW CT 4X12	3				
042		162171-2	BEARING RETAINER 24	1				
043		253315-6	THIN WASHER 15	1				
044		211201-7	BALL BEARING 6002LLB	1				
045		211201-7	BALL BEARING 6002LLB	1				
046		213047-7	O RING 4	4				
047		317535-7	FOOT	4				
048		213047-7	O RING 4	4				
049		317537-3	BASE	1				
050		317536-5	BALANCER	1				
051		266071-9	HEX. SOCKET HEAD BOLT M5X16	1				
052		345211-3	UNDER COVER	1				
053		213755-0	O RING 75	1				
054		193523-6	PAD	1				
055		911118-1	PAN HEAD SCREW M4X12	8				
056		266042-6	TAPPING SCREW BIND CT 4X20	2				
057		253874-0	FLAT WASHER 4	2				
058		257659-6	SLEEVE 4	2				
059		153361-8	CLAMP LEVER COMPLETE	2				
060		153362-6	PAPER CLAMP COMPLETE	2				
	C10	421498-2	CLAMP RUBBER	2				
A01		A-14093	ABRASIVE PAPER 115-120 /STD	1				
A02		A-81284	CARBON BRUSH CB-419A	2			83185	
A02-1		B-80086	CARBON BRUSH SET CB-419A	2	O	83185	85070	

Interchange  
O : Yes  
X : No  
< : the new part can be substituted for the current.  
> : the current part can be substituted for the new.  
S : Interchangeable as a set.

