



VN	VIETNAM
----	---------

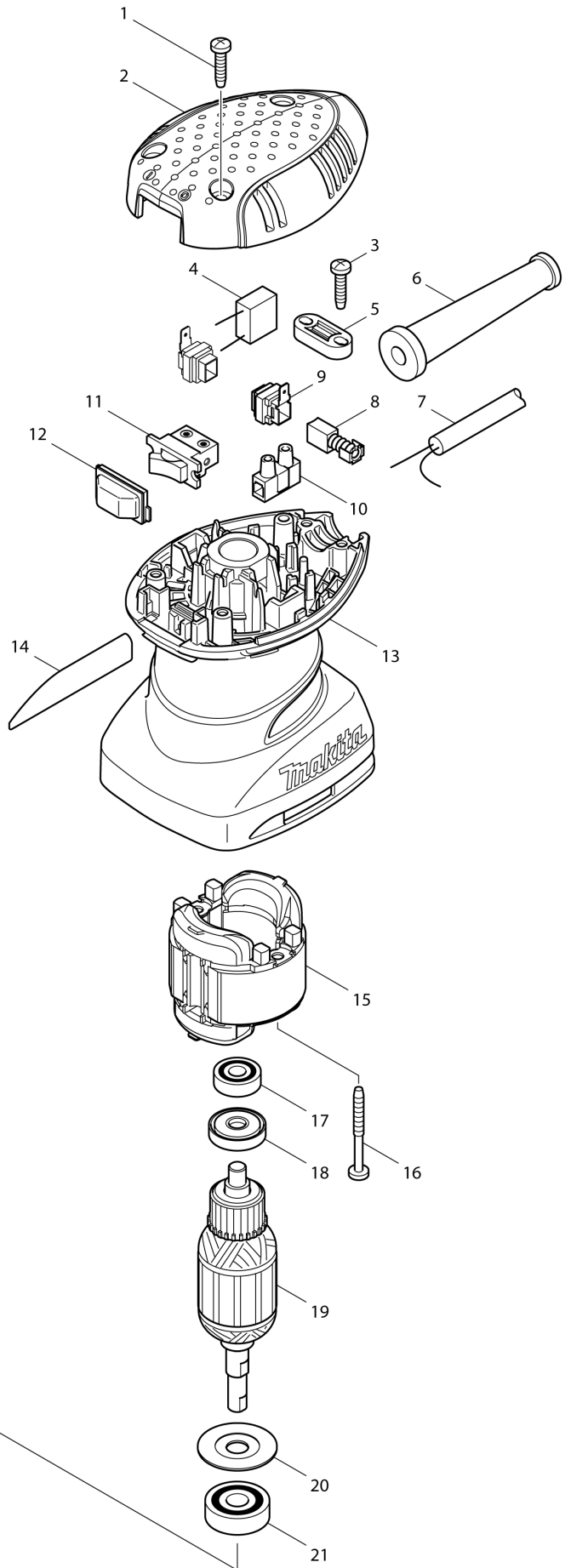
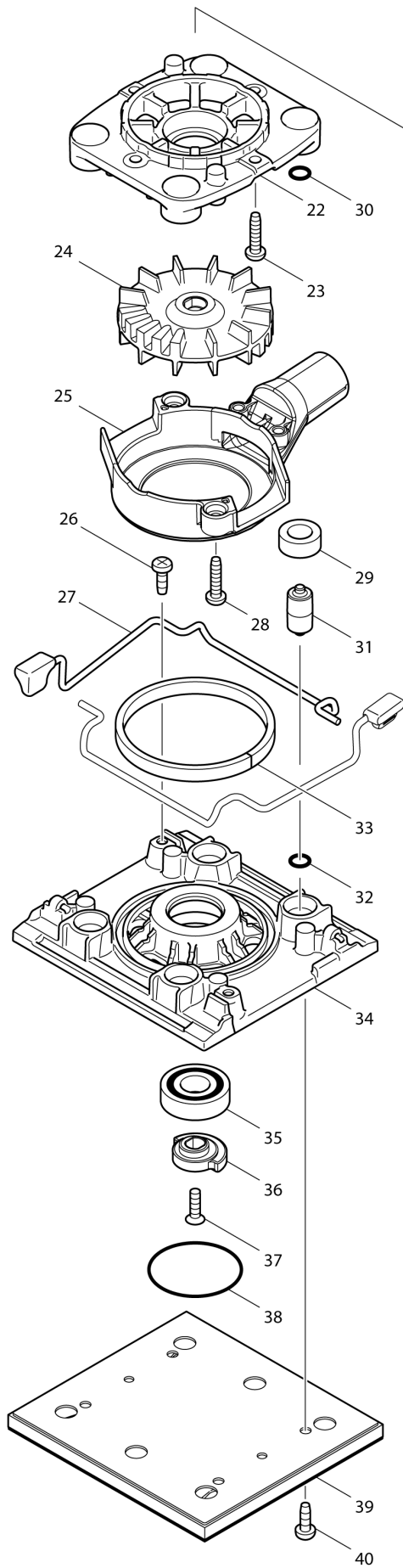
# Diagram / Parts List

**BO4555**

**FINISHING SANDER**



(VN) BO4555 / FINISHING SANDER



<b>VN</b>	<b>VIETNAM</b>
-----------	----------------

### **BO4555 / FINISHING SANDER**

Item	Sub	Parts No.	Parts Description	Qty	I/C	E/C No.	Close No.	Remark
001		265995-6	TAPPING SCREW 4X18	3				
002		450071-1	TOP COVER	1				
003		265995-6	TAPPING SCREW 4X18	2				
005		687124-5	STRAIN RELIEF	1				
006		682569-2	CORD GUARD 8-85	1				
007		691055-2	POWER SUPPLY CORD 0.75-2-2.0	1				
008		A-81284	CARBON BRUSH CB-419A	1			83185	
008-1		B-80086	CARBON BRUSH SET CB-419A	1	O	83185	85070	
008-2		B-80422	CARBON BRUSH SET CB-419A	1	<	85070		
009		643995-0	BRUSH HOLDER	2				
010		654532-5	TERMINAL BLOCK 1P	1				
011		651527-9	SWITCH	1				
012		424039-3	SWITCH COVER	1				
013		450072-9	MOTOR HOUSING	1				
014		863728-9	BO4555 NAME PLATE	1				
015		593648-0	FIELD ASS'Y 220V	1			D0945	
	C10	654069-2	RECEPTACLE	2			D0945	
015-1		593648-0	FIELD ASS'Y 220V	1	O	D0945		
	C10	654069-2	RECEPTACLE	2		D0945		
016		266048-4	TAPPING SCREW 4X40	2				
017		210034-7	BALL BEARING 607LLB	1			A4758	
017-1		210062-2	BALL BEARING 607ZZ	1	O	A4758		
018		681652-2	INSULATION WASHER	1				
019		515708-8	ARMATURE ASS'Y 220-240V	1				
	D10		INC. 17,18,20,21					
020		267806-1	WASHER 9	1				
021		211092-6	BALL BEARING 629DDW	1				
022		450070-3	BEARING BOX	1				
023		265995-6	TAPPING SCREW 4X18	4				
024		241671-6	FAN 63	1				
025		450069-8	FAN GUIDE	1				
026		266020-6	TAPPING SCREW 4X12	2				
027		162259-8	LEVER COMPLETE	2				
028		265995-6	TAPPING SCREW 4X18	2				
029		424023-8	SPONGE SLEEVE 9	4				
030		213983-7	O RING 4	4				
031		318151-8	FOOT	4				
032		213983-7	O RING 4	4				
033		424038-5	SPONGE 6X185X3	1			A5719	
033-1		424684-4	SPONGE 7X87X3	1	O	A5719	B4352	
033-2		424684-4	SPONGE 7X87X3	1	O	B4352		
034		450067-2	BASE	1			C4648	
034-1		450067-2	BASE	1	<	C4648		
035		211131-2	BALL BEARING 6001DDW	1				
036		313141-6	BALANCER	1				
037		912117-6	COUNTERSUNK HEAD SCREW M4X12	1				
038		213510-0	O RING 36	1				
039		158323-1	PAD COMPLETE	1				
040		266020-6	TAPPING SCREW 4X12	4				
A01		166078-4	DUST BAG	1			Y08284	
A01-1		135222-4	DUST BAG ASS'Y	1	<	Y08284		
	C10	166078-4	DUST BAG	1		Y08284		
	D10		INC. A02-A04			Y08284		
A02		257202-1	RING 25	1				
A03		416063-0	DUST BAG NOZZLE	1				
A04		416064-8	DUST NOZZLE	1				
A05		192352-4	ABRASIVE PAPER SET	1				
A06		450066-4	PUNCH PLATE	1				

Interchange  
 O : Yes  
 X : No  
 < : the new part can be substituted for the current.  
 > : the current part can be substituted for the new.  
 S : Interchangeable as a set.