



VN	VIETNAM
----	---------

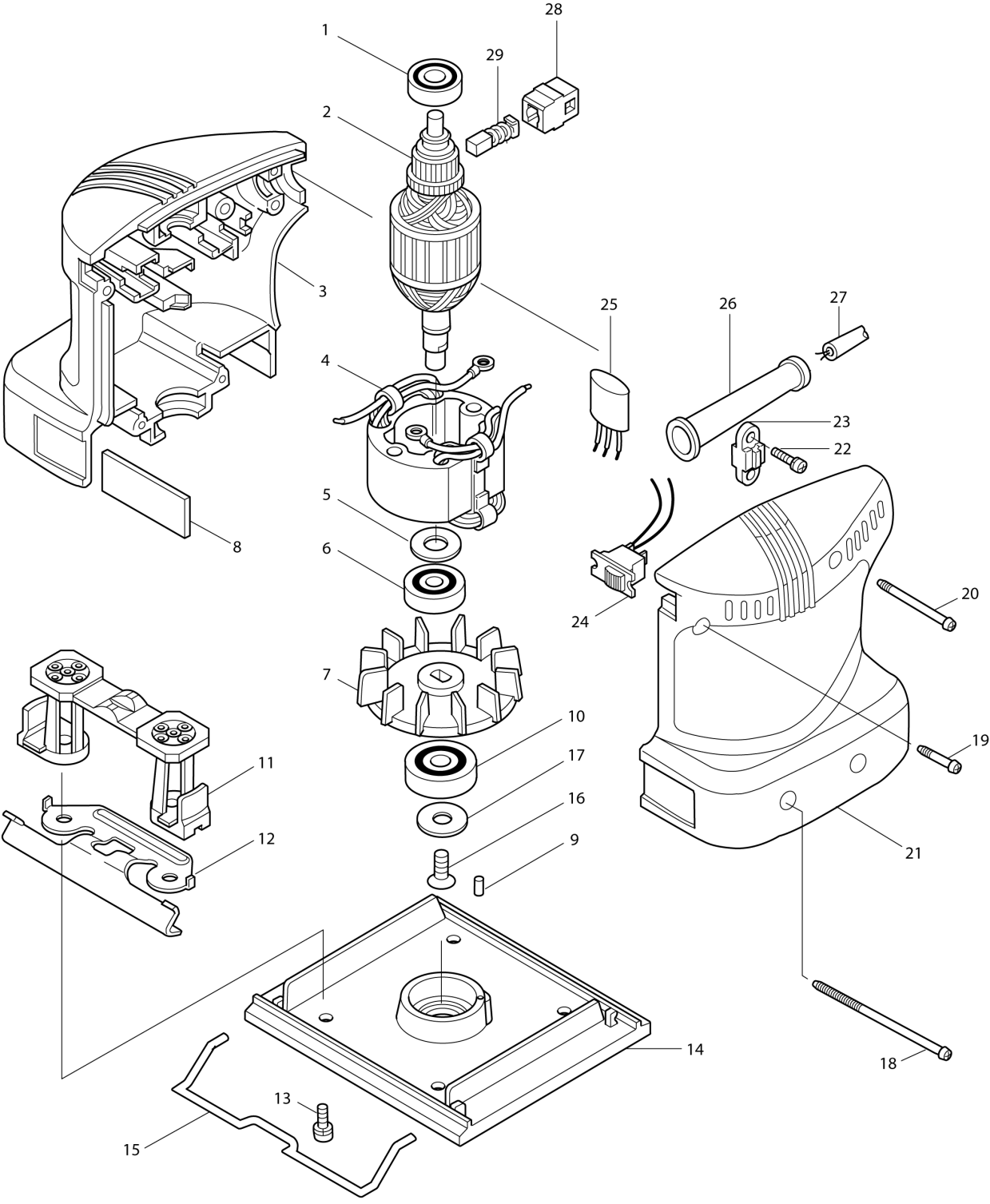
# Diagram / Parts List

**BO4540**

**FINISHING SANDER**



(VN) BO4540 / FINISHING SANDER



<b>VN</b>	<b>VIETNAM</b>
-----------	----------------

**BO4540 / FINISHING SANDER**

Item	Sub	Parts No.	Parts Description	Qty	I/C	E/C No.	Close No.	Remark
001		211016-2	BALL BEARING 626LLB	1				
002D		511548-2	ARMATURE ASS'Y 220V	1			75505	
	D10		INC. 1,5,6				75505	
002D1		510076-4	ARMATURE ASS'Y 220V	1	O	75505	76022	
	D10		INC. 1,5,6			75505	76022	
002D2		510076-4	ARMATURE ASS'Y 220V	1	O	76022	Y06894	
	D10		INC. 1,5,6			76022	Y06894	
002D3		511548-2	ARMATURE ASS'Y 220V	1	O	Y06894		
	D10		INC. 1,5,6			Y06894		
003		181956-7	HOUSING SET	1				
	D10		INC. 21					
003-1		182630-0	HOUSING SET	1	O	45658		
	D10		INC. 21					
004C1		593003-6	FIELD ASS'Y 220V	1				
005		253214-2	FLAT WASHER 9	1				
006-1		211092-6	BALL BEARING 629DDW	1			75505	
006-2		210078-7	BALL BEARING 629DDW	1	O	75505	76022	
006-3		211092-6	BALL BEARING 629DDW	1	O	76022		
007		241653-8	FAN 65	1			64490	
007-1		241666-9	FAN 65	1	<	64490		
008		855881-5	NAME PLATE BO4540	1				
009		263002-9	RUBBER PIN 4	1			70970	
010		211066-7	BALL BEARING 6200LLB	1				
011		410918-1	FOOT	2				
012-1		155957-1	CLAMPER	2			64732	
	C10	413039-8	CLAMPER COVER	2			64732	
012-2		153384-6	CLAMPER COMPLETE	2	<	64732		
	C10	413039-8	CLAMPER COVER	2		64732		
013		911118-1	PAN HEAD SCREW M4X12	4				
014		151232-3	BASE COMPLETE	1			70970	
	C10	443046-7	FELT 100X110	1			70970	
	D10		INC. 9				70970	
014-1		151232-3	BASE COMPLETE	1	O	70970		
	C10	443046-7	FELT 100X110	1		70970		
015		321869-2	LEVER	2				
016		912112-6	COUNTERSUNK HEAD SCREW M4X10	1				
017		253825-3	FLAT WASHER 6	1				
018		265872-2	TAPPING SCREW BT 4X50	2				
019		265875-6	TAPPING SCREW BT 4X25	1				
020		265876-4	TAPPING SCREW BT 4X40	1				
021		181956-7	HOUSING SET	1				
	D10		INC. 3					
021-1		182630-0	HOUSING SET	1	O	45658		
	D10		INC. 3					
022-1		911133-5	PAN HEAD SCREW M4X18	2				
023		687001-1	STRAIN RELIEF	1				
024A		651600-5	SWITCH SS106A	1				
026		682502-4	CORD GUARD 8-85	1				
027S		691055-2	POWER SUPPLY CORD 0.75-2-2.0	1				
028		643552-4	BRUSH HOLDER 5-8	2				
029C		191627-8	CARBON BRUSH CB-64	1			85070	
029C1		B-80254	CARBON BRUSH SET CB-64A	1	<	85070		
400		794195-6	ABRASIVE PAPER SET 114X100	1				

Interchange  
O : Yes  
X : No  
< : the new part can be substituted for the current.  
> : the current part can be substituted for the new.  
S : Interchangeable as a set.