



VN	VIETNAM
----	---------

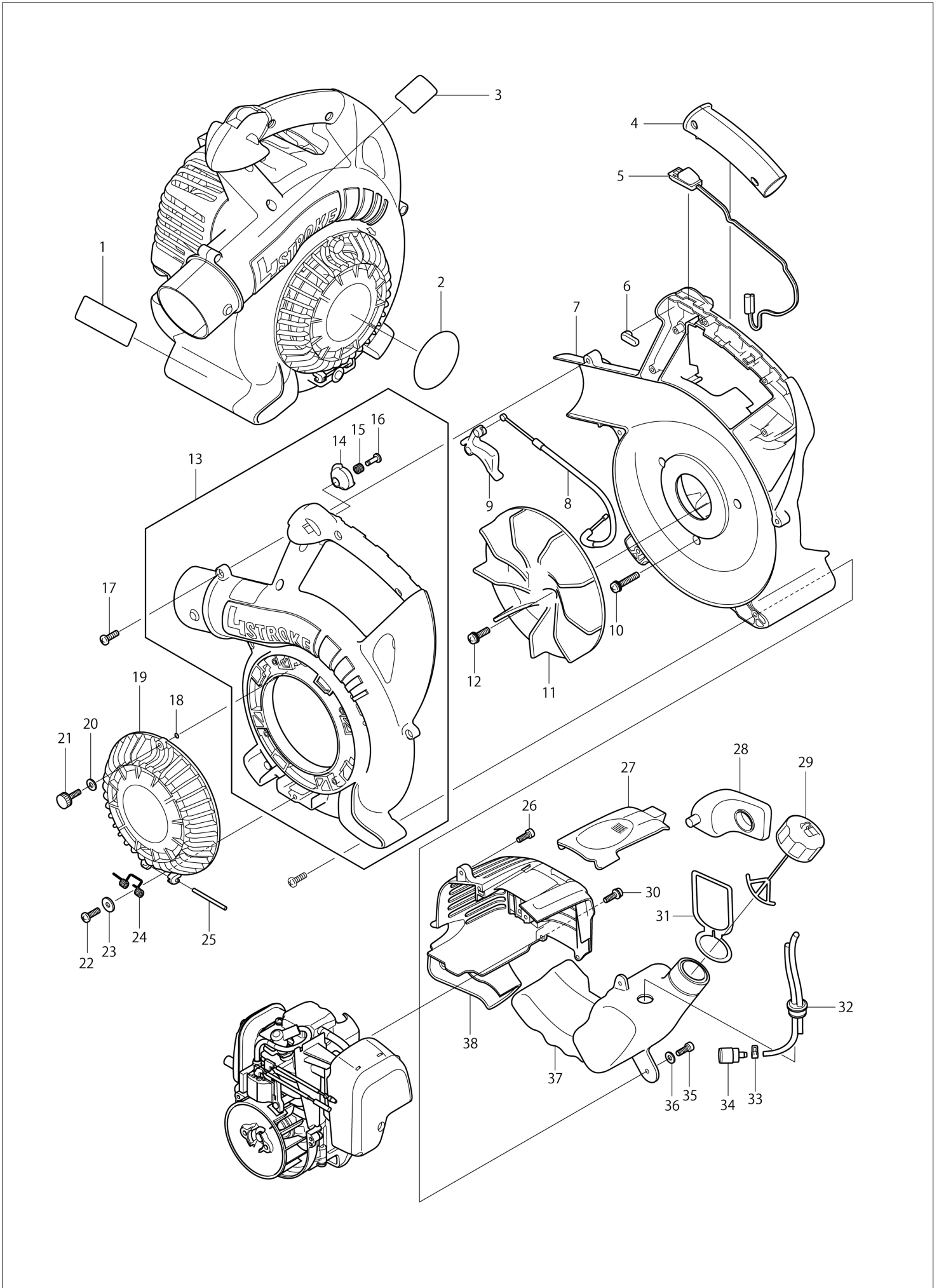
Diagram / Parts List

BHX2500

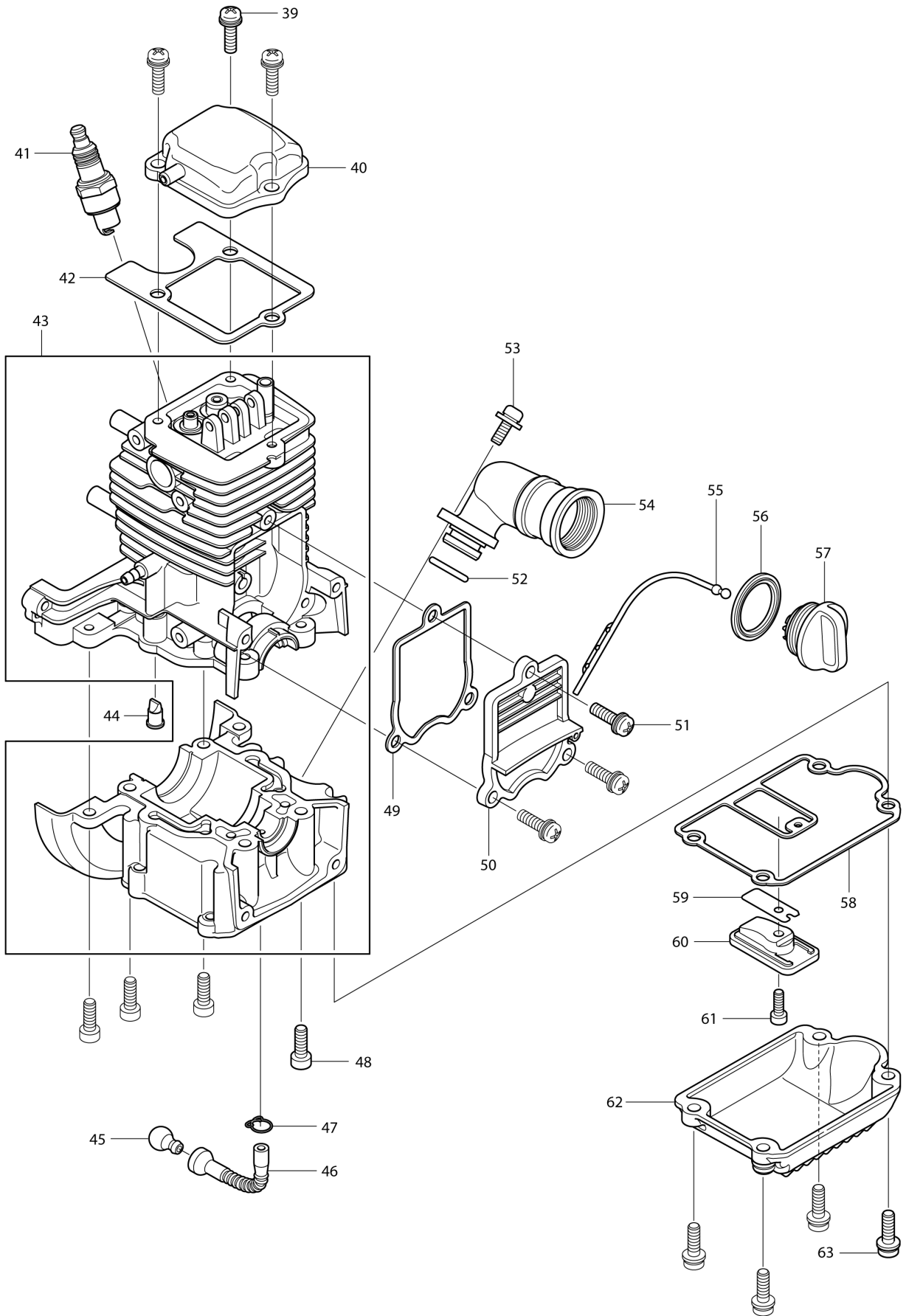
BLOWER

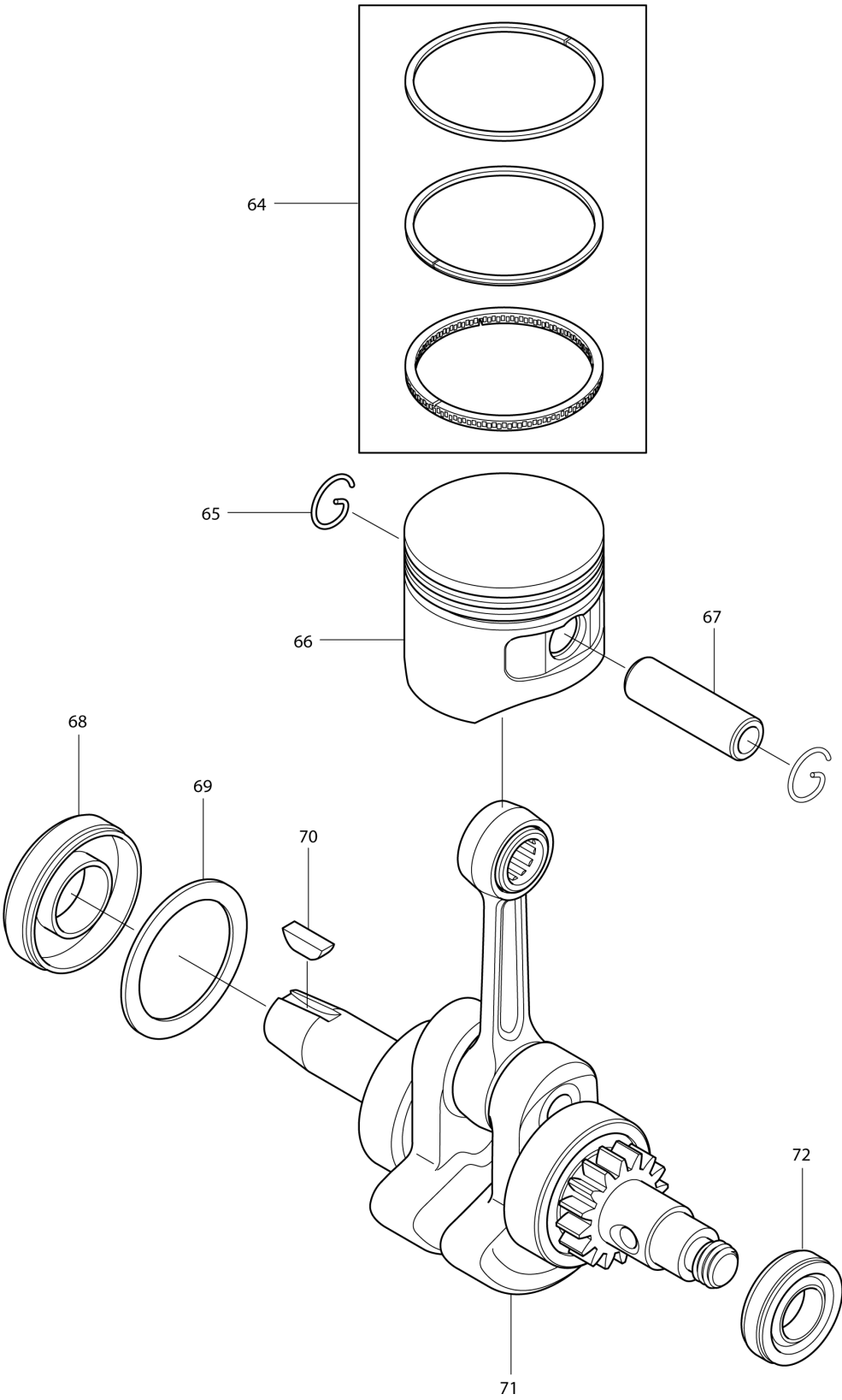


(VN) BHX2500 / BLOWER

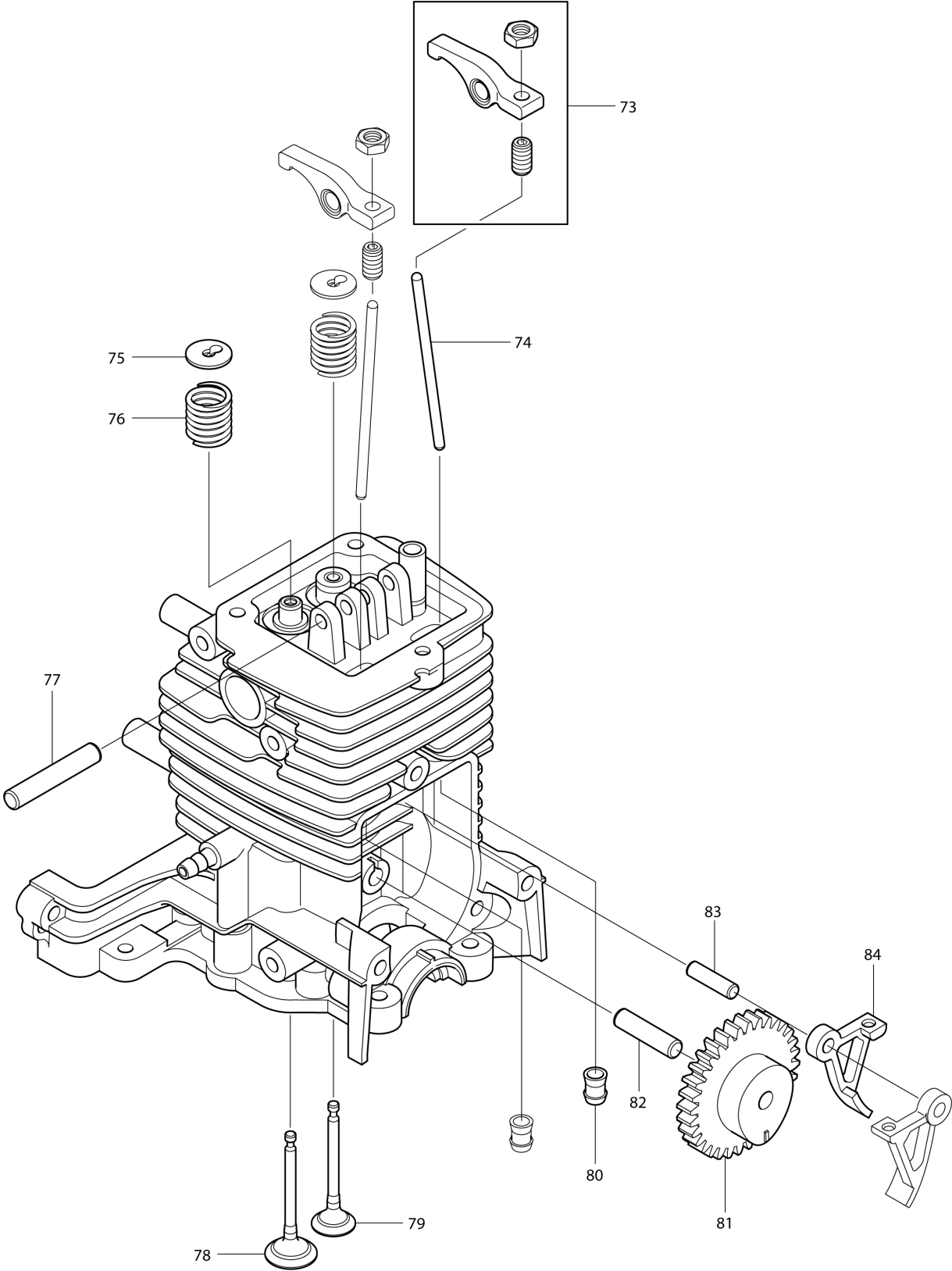


(VN) BHX2500 / BLOWER

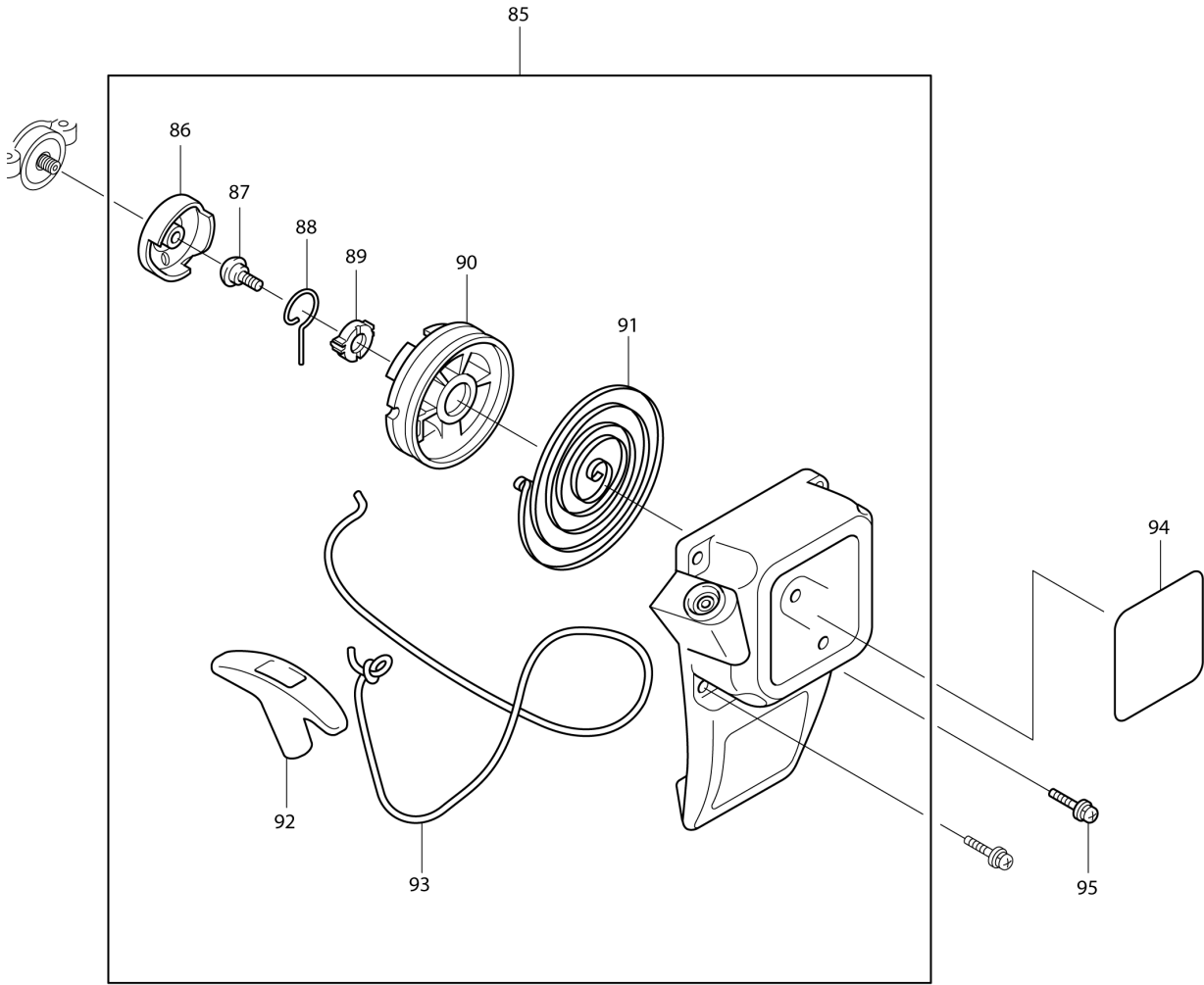




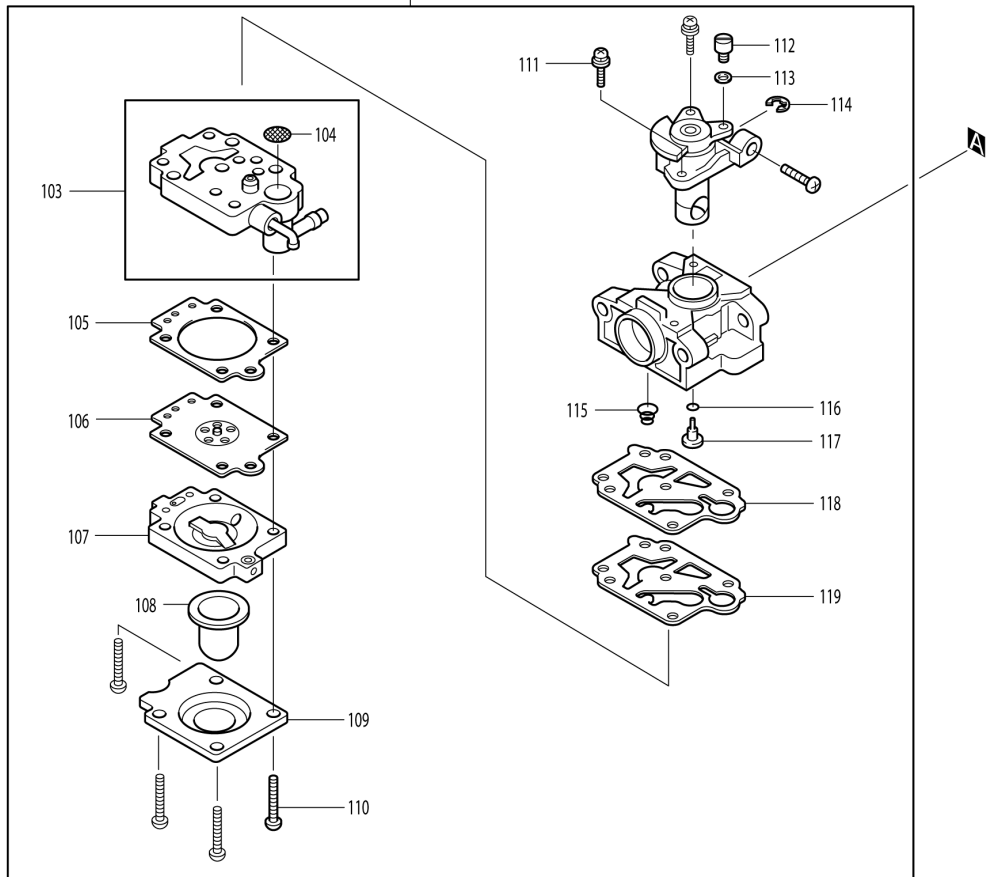
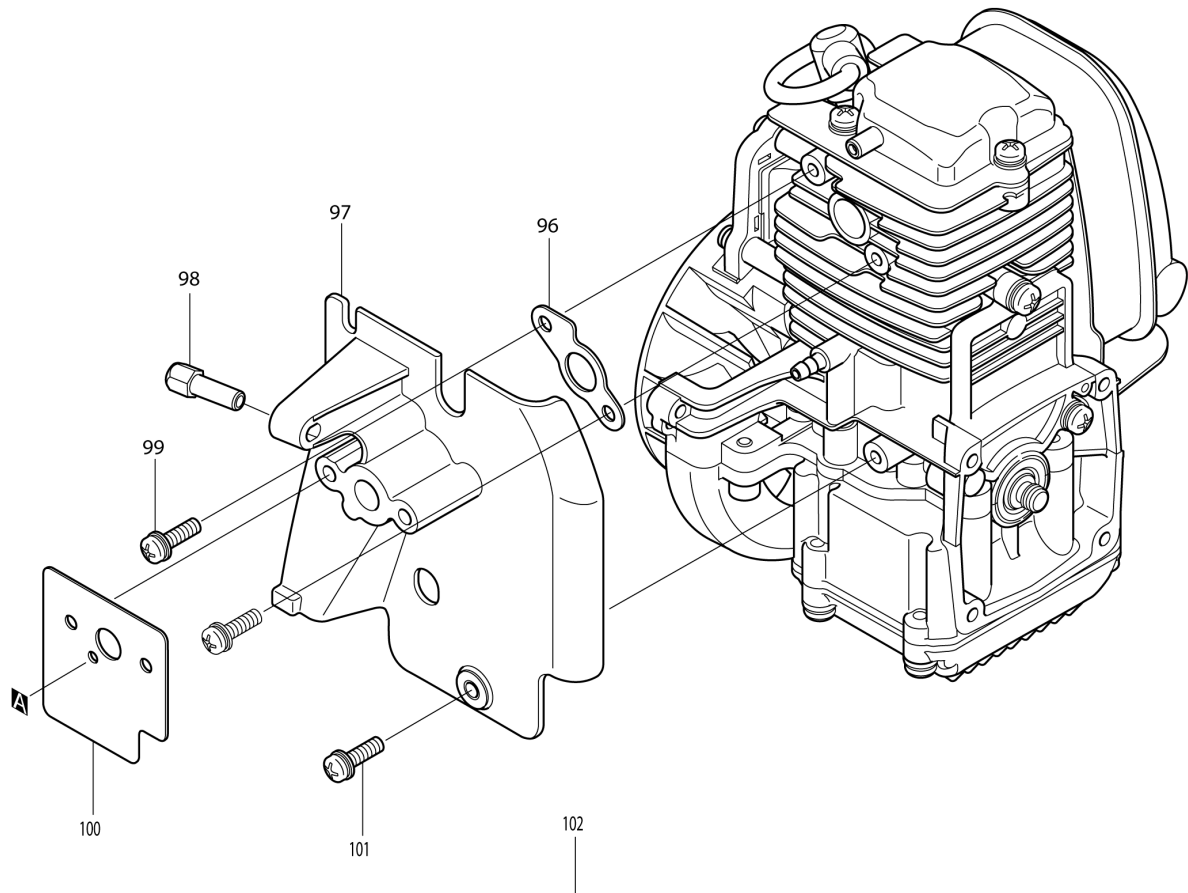
(VN) BHX2500 / BLOWER



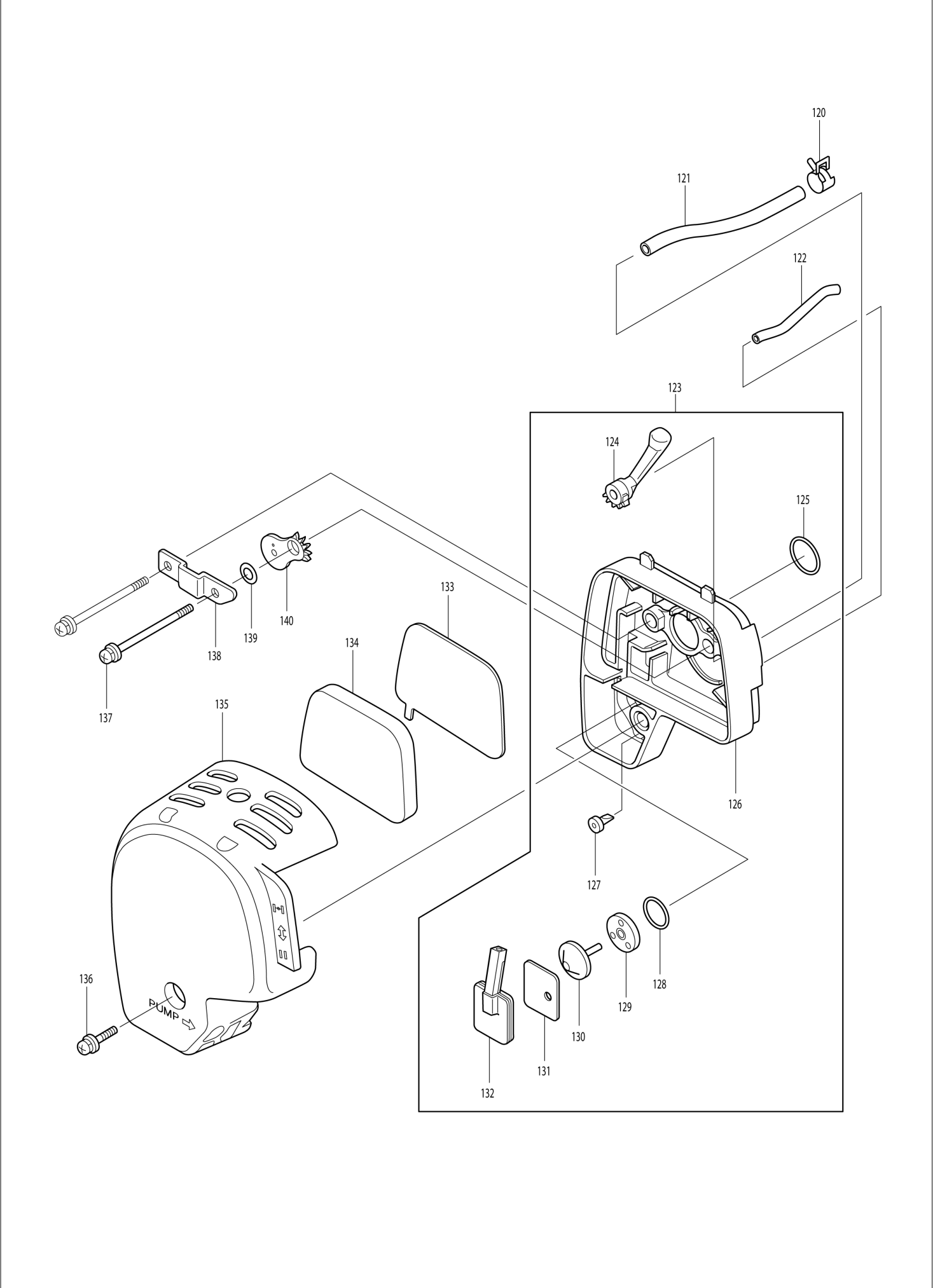
(VN) BHX2500 / BLOWER

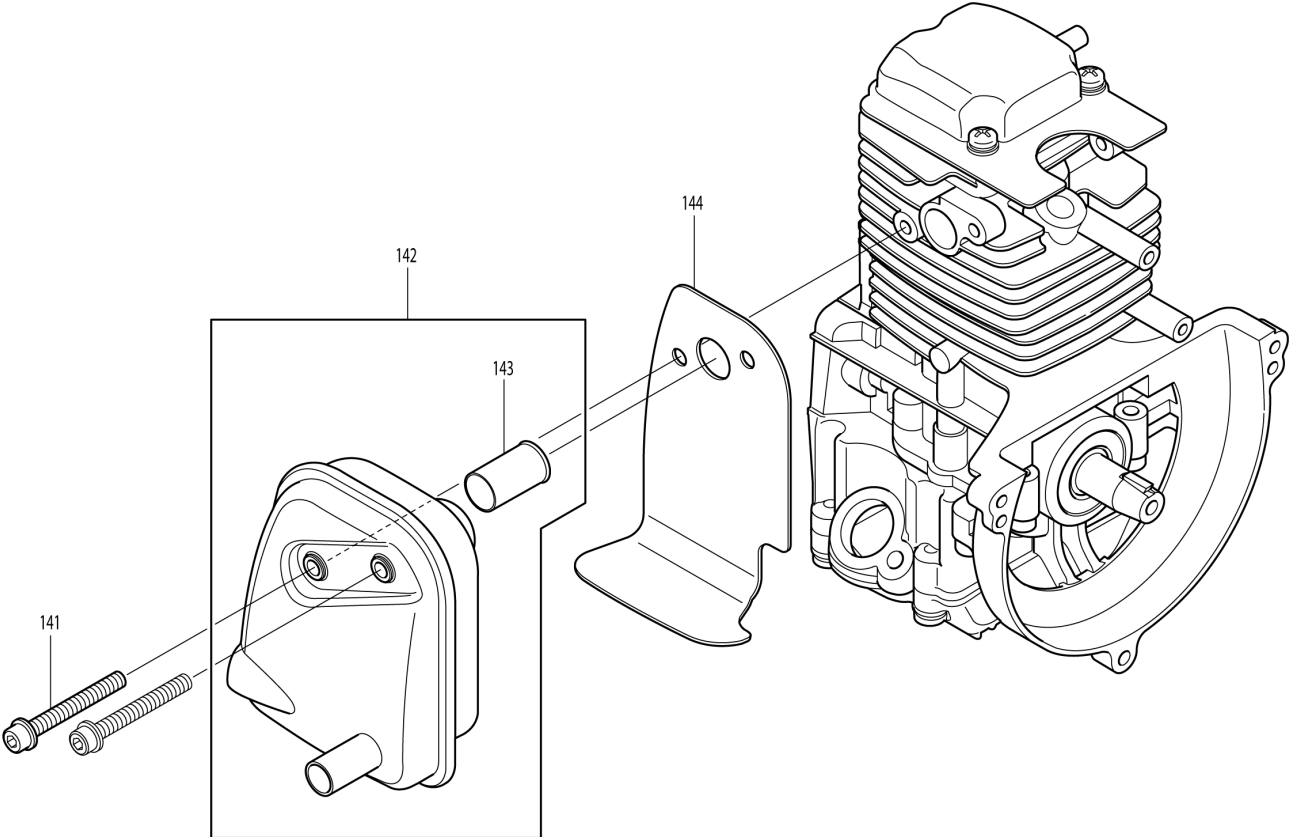


(VN) BHX2500 / BLOWER

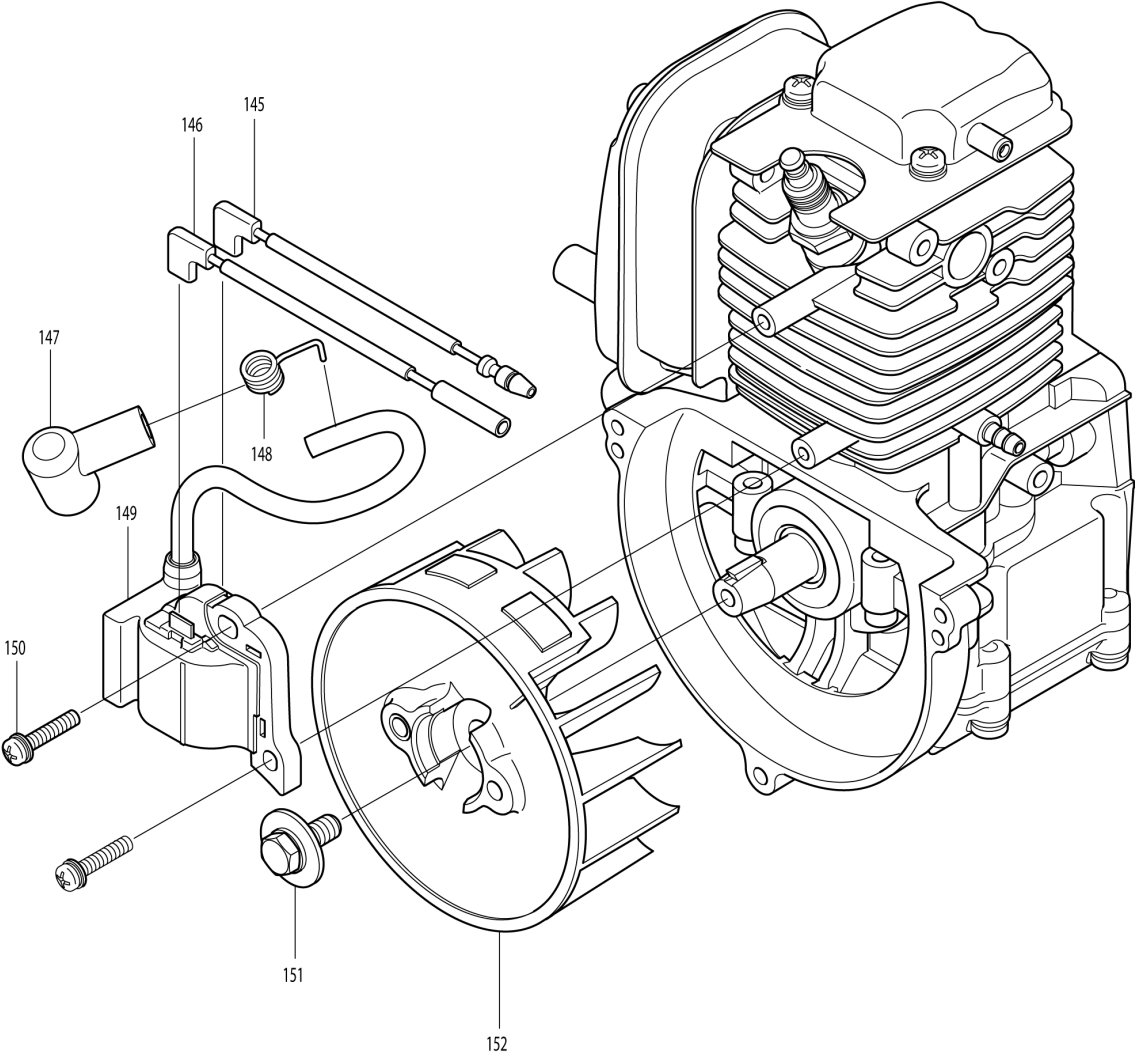


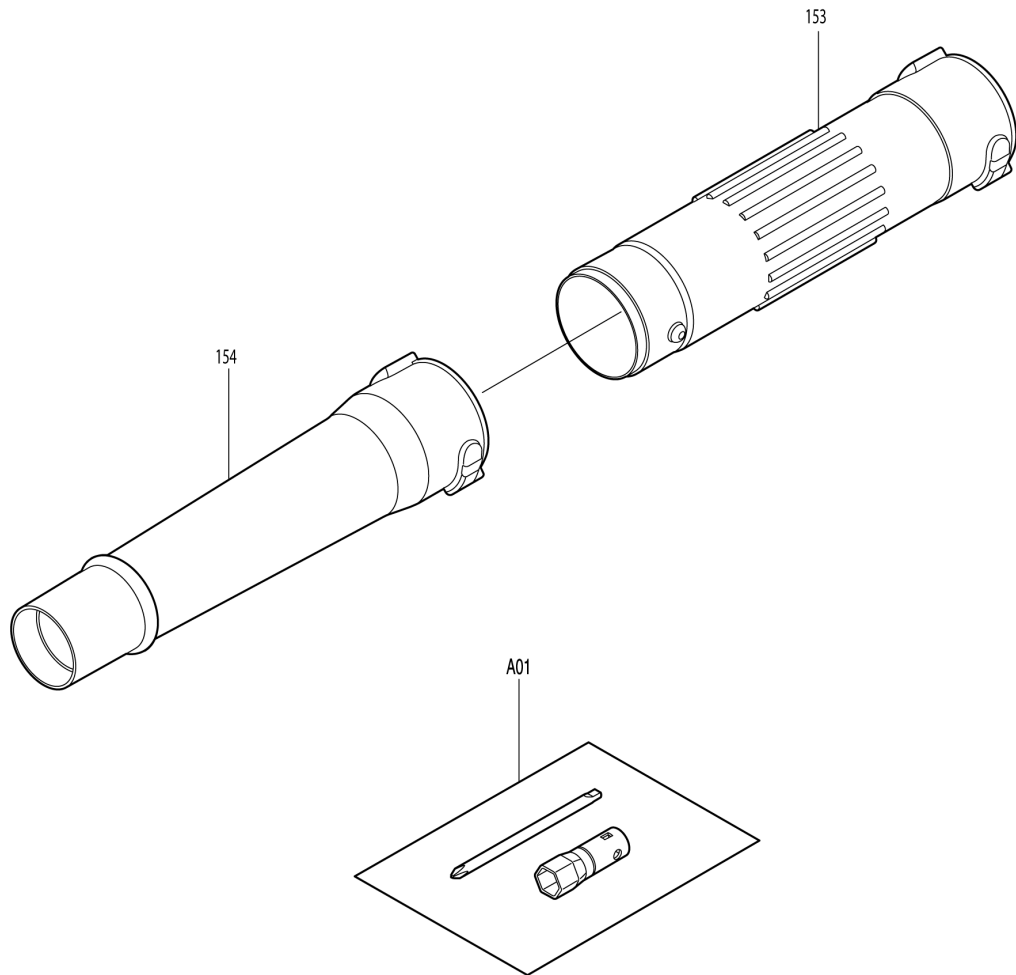
(VN) BHX2500 / BLOWER





(VN) BHX2500 / BLOWER





VN	VIETNAM
-----------	----------------

BHX2500 / BLOWER

Item	Sub	Parts No.	Parts Description	Qty	I/C	E/C No.	Close No.	Remark
001		0736289980	CAUTION LABEL	1			Y05865	
001-1		810451-7	CAUTION LABEL	1	O	Y05865		
002		6659500200	PROTECTOR LABEL	1			Y05865	
002-1		808139-1	BHX2500 MODEL NO.LABEL	1	O	Y05865		
003		6609513200	CAUTION LABEL	1			Y05865	
003-1		810450-9	CAUTION LABEL	1	O	Y05865		
004		6655500000	GRIP	1			Y05865	
004-1		273665-3	GRIP	1	O	Y05865		
005		6655001000	SWITCH COMPL	1			Y05865	
005-1		638640-0	SWITCH COMPLETE	1	O	Y05865		
006		6651500500	FRICITION PUBBER	1			Y05865	
006-1		424182-8	FRICITION RUBBER	1	O	Y05865		
007		6651014000	VOLUTE CASE 2 COMPL	1			Y05865	
007-1		450958-7	VOLUTE CASE R	1	O	Y05865	B0024	
007-2		455202-7	VOLUTE CASE R	1	S	B0024		
008		0630029730	CONTROL CABLE	1			Y05865	
008-1		168518-8	CONTROL CABLE	1	O	Y05865		
009		6655500301	THROTTLE LEVER	1			Y05773	
009-1		450960-0	THROTTLE LEVER	1	O	Y05773	B0024	
009-2		455203-5	THROTTLE LEVER	1	S	B0024		
010		0043605300	SCREW ASS'Y	3			Y05865	
010-1		911253-5	PAN HEAD SCREW M5X30	3	O	Y05865	99839	
010-2		922253-0	H.S.H.BOLT M5X30 WITH WR	3	<	99839		
011		6651003000	IMPELLER COMPL	1			Y05865	
011-1		240113-7	FAN 180	1	O	Y05865		
012		0043606200	SCREW M6X20	2			Y05865	
012-1		265584-7	HEX SOCKET HEAD BOLT M6X20 WR	2	O	Y05865	Y07538	
012-2		265A06-3	HEX.SOCKET HEAD BOLT M6X20	2	O	Y07538		
013		6651010000	VOLUTE CASE 1 ASSY	1			Y05865	
	D10		INC.14-16				Y05865	
013-1		125533-5	VOLUTE CASE L ASSEMBLY	1	O	Y05865	B0024	
	D10		INC.14-16			Y05865	B0024	
013-2		123297-5	VOLUTE CASE L ASSEMBLY	1	S	B0024	C0985	
	D10		INC.14-16			B0024	C0985	
013-3		126899-6	VOLUTE CASE L ASSEMBLY	1	S	C0985		
	C10	253874-0	FLAT WASHER 4	1	S	C0985		
	D10		INC.14-16			C0985		
014		6655500100	CRUISE LEVER	1			Y06392	
014-1		452216-7	CRUISE LEVER	1	O	Y06392	B0024	
014-2		455882-9	CRUISE LEVER	1	O	B0024		
015		6655500200	SPRING	1			Y06392	
015-1		234314-7	COMPRESSION SPRING 7	1	O	Y06392	Y06415	
015-2		234314-7	COMPRESSION SPRING 7	1	O	Y06415	B0024	
015-3		234362-6	COMPRESSION SPRING 7	1	O	B0024		
016		0150049840	TAPPING SCREW 4X16	1			Y06392	
016-1		266870-9	TAPPING SCREW (4X16)	1	O	Y06392	B0024	
016-2		266951-9	TAPPING SCREW (4X16)	1	O	B0024		
017		0150059760	TAPPING SCREW 5X16	10			Y05865	
017-1		265878-0	TAPPING SCREW BT 5X16	10	O	Y05865		
018		6601503400	OUTER SNAPRING	1			Y05865	
018-1		257958-6	RETAINING RING S-3.5	1	O	Y05865	Y06222	
018-2		213022-3	O RING 3	1	O	Y06222	Y07538	
019		6601502704	PROTECTOR	1			Y06222	
019-1		6601502705	PROTECTOR	1	O	Y06222		
020		6601503500	RUBBER WASHER	1			Y05865	
020-1		424180-2	GASKET	1	O	Y05865	Y07538	
021		0043604253	SCREW ASSEMBLY M4X25(W,SW)	1			Y05865	
021-1		911148-2	PAN HEAD SCREW M4X25	1	O	Y05865	Y07538	
021-2		266807-6	PAN HEAD SCREW M4X25 WITH WR	1	O	Y07538		
022		0150059760	TAPPING SCREW 5X16	1			Y05865	
022-1		265878-0	TAPPING SCREW BT 5X16	1	O	Y05865		
023		0031205003	WASHER	1			Y05865	
023-1		267394-8	FLAT WASHER 5	1	O	Y05865		
024		6601503001	SPRING	1			Y05865	
024-1		233536-6	TORSION SPRING 5	1	O	Y05865		

Interchange
O : Yes
X : No
< : the new part can be substituted for the current.
> : the current part can be substituted for the new.
S : Interchangeable as a set.

VN	VIETNAM
-----------	----------------

BHX2500 / BLOWER

Item	Sub	Parts No.	Parts Description	Qty	I/C	E/C No.	Close No.	Remark
025		6601503100	SHAFT	1			Y05865	
025-1		268230-1	ROD 4	1	O	Y05865		
026		0150059760	TAPPING SCREW 5X16	3			Y05865	
026-1		265878-0	TAPPING SCREW BT 5X16	3	O	Y05865		
027		6656500100	PLUG COVER	1			Y05865	
027-1		450964-2	PLUG COVER	1	O	Y05865		
028		5926501600	OIL GUARD	1			Y05865	
028-1		424181-0	OIL GUARD	1	O	Y05865		
029		5926017000	FUEL TANK CAP ASSY	1			Y05865	
029-1		125472-9	FUEL TANK CAP ASSEMBLY	1	O	Y05865	C4429	
029-2		127108-6	FUEL TANK CAP ASSEMBLY	1	O	C4429		
030		0140049770	SCREW ASSY M4X16(W,SW)	2			Y05865	
030-1		911128-8	P.H.SCREW M4X16 WITH WR	2	O	Y05865	B2420	
030-2		911526-6	P.H.SCREW M4X16 WITH WRM	2	<	B2420		
031		6249501501	STRAP	1			Y05865	
031-1		810455-9	CAUTION PLATE	1	O	Y05865		
032		0851189950	TUBE	1			Y05865	
032-1		158911-4	TUBE COMPLETE	1	O	Y05865		
033		0561059990	HOSE CLAMP	1			Y05865	
033-1		345920-4	HOSE CLAMP	1	O	Y05865		
034		5236503900	FILTER	1			Y05865	
034-1		163447-0	FUEL FILTER	1	O	Y05865	B3537	
034-2		163447-0	FUEL FILTER	1	O	B3537		
035		0150059760	TAPPING SCREW 5X16	3			Y05865	
035-1		265878-0	TAPPING SCREW BT 5X16	3	O	Y05865		
036		0031005003	FLAT WASHER 5	3			Y05856	
036-1		0031205003	WASHER	3	O	Y05856	Y05865	
036-2		267394-8	FLAT WASHER 5	3	O	Y05865		
037		6653500000	FUEL TANK	1			Y05865	
037-1		450988-8	FUEL TANK	1	O	Y05865	Y07538	
037-2		6653500000	FUEL TANK	1	O	Y07538		
038		6656500300	ENGINE COVER	1			Y05736	
038-1		452630-7	ENGINE COVER	1	O	Y05736		
039		0043605160	SCREW ASS'Y M5X16 (W,SW)	3			Y05610	
039-1		0119059531	SOCKET HEAD BOLT M5X16(W,SW)	3	O	Y05610	Y05865	
039-2		922223-9	H.S.H.BOLT M5X16 WITH WR	3	O	Y05865		
040		5921004001	ROCKER COVER COMPLETE	1			Y05865	
040-1		140023-7	ROCKER COVER COMPLETE	1	O	Y05865	C2837	
040-2		140B46-7	ROCKER COVER COMPLETE	1	<	C2837		
041		0650109950	SPARK PLUG CMR6A	1			Y05865	
041-1		168401-9	SPARK PLUG	1	O	Y05865		
042		5921500800	ROCKER COVER GASKET	1			Y05865	
042-1		162275-0	ROCKER COVER GASKET	1	O	Y05865		
043		5921011001	CYLINDER BLOCK SET	1			Y05396	
043-1		5921011002	CYLINDER BLOCK SET	1	S	Y05396	Y05865	
043-2		125914-3	CYLINDER BLOCK SET	1	O	Y05865		
044		5921501800	CHECK VALVE	2			Y05865	
044-1		424201-0	CHECK VALVE	2	O	Y05865		
045		5926500300	OIL WEIGHT	1			Y05865	
045-1		325666-8	OIL WEIGHT	1	O	Y05865		
046		5926500200	OIL TUBE	1			Y05865	
046-1		424202-8	OIL TUBE	1	O	Y05865		
047		0561059970	HOSE CLAMP	1			Y05865	
047-1		282020-8	HOSE CLAMP	1	O	Y05865		
048		0119059510	SOCKET HEAD BOLT M5X14	8			Y05865	
048-1		922217-4	HEX. SOCKET HEAD BOLT M5X14	8	O	Y05865		
049		5921500700	CAMGEAR COVER GASKET	1			Y05865	
049-1		162274-2	CAM GEAR COVER GASKET	1	O	Y05865		
050		5921500502	CAMGEAR COVER	1			Y05865	
050-1		318443-5	CAM GEAR COVER	1	O	Y05865		
051		0043605140	SCREW ASS'Y M5X14	3			Y05610	
051-1		0119059510	SOCKET HEAD BOLT M5X14	3	O	Y05610	Y05865	
051-2		922217-4	HEX. SOCKET HEAD BOLT M5X14	3	O	Y05865		
052		0240139950	O RING	1			Y05865	
052-1		213591-4	O RING 14	1	O	Y05865		

Interchange
O : Yes
X : No
< : the new part can be substituted for the current.
> : the current part can be substituted for the new.
S : Interchangeable as a set.

VN	VIETNAM
-----------	----------------

BHX2500 / BLOWER

Item	Sub	Parts No.	Parts Description	Qty	I/C	E/C No.	Close No.	Remark
053		0043605120	SCREW ASS'Y M5X12	1			Y05610	
053-1		0119059780	SOCKET HEAD BOLT M5X12	1	O	Y05610	Y05865	
053-2		922213-2	H.S.H.BOLT M5X12 WITH WR	1	O	Y05865		
054		5926021000	OIL PIPE COMPL	1			Y05865	
054-1		140813-8	OIL PIPE COMPLETE	1	O	Y05865		
055		5926501700	OIL GAUGE	1			Y05865	
055-1		452610-3	OIL GAUGE	1	O	Y05865		
056		0213229990	GASKET	1			Y05865	
056-1		424343-0	GASKET	1	O	Y05865		
057		5926501500	OIL CAP	1			Y05865	
057-1		452047-4	OIL CAP	1	O	Y05865		
058		5926500100	CASE GASKET	1			Y05865	
058-1		162276-8	CASE GASKET	1	O	Y05865		
059		5921501000	REED VALVE	1			Y05865	
059-1		346083-9	LEAD VALVE	1	O	Y05865		
060		5921501100	RETAINER PLATE	1			Y05865	
060-1		318440-1	RETAINER PLATE	1	O	Y05865		
061		0119049980	SOCKET HEAD BOLT M4X10	1			Y05865	
061-1		922111-0	HEX. SOCKET HEAD BOLT M4X10	1	O	Y05865	Y07538	
061-2		922112-8	HEX. SOCKET HEAD BOLT M4X10	1	O	Y07538		
062		5926500000	OIL CASE	1			Y05865	
062-1		318442-7	OIL CASE	1	O	Y05865		
063		0043605180	SCREW ASS'Y M5X18	4			Y05855	
063-1		0119059510	SOCKET HEAD BOLT M5X14	4	O	Y05855	Y05865	
063-2		922217-4	HEX. SOCKET HEAD BOLT M5X14	4	O	Y05865		
064		5922004000	PISTON RING SET	1			Y06172	
064-1		195145-8	PISTON RING SET	1	O	Y06172	A2770	
064-2		196595-0	PISTON RING SET	1	O	A2770		
065		0565089970	CLIP	2			Y05865	
065-1		233976-8	CLIP	2	O	Y05865		
066		5922500900	PISTON	1			Y05865	
066-1		318441-9	PISTON	1	O	Y05865	A9068	
066-2		197453-3	PISTON SET	1	<	A9068		
	C10	318441-9	PISTON	1		A9068		
	D10		INC. 64,65			A9068		
067		5232502600	PISTON PIN	1			Y05865	
067-1		257781-9	PISTON PIN	1	O	Y05865		
068		0440129960	OIL SEAL (L)	1			Y05865	
068-1		213147-3	OIL SEAL 12	1	O	Y05865	B2951	
068-2		213089-1	OIL SEAL 12	1	<	B2951	Y07538	
068-3		213147-3	OIL SEAL 12	1	O	Y07538		
069		5421500500	CLIP	1			Y05865	
069-1		267400-9	FLAT WASHER 23	1	O	Y05865		
070		0323039990	WOODRUFF KEY	1			Y05865	
070-1		254040-2	WOODRUFF KEY 3	1	O	Y05865		
071		5922003000	CRANK SHAFT ASS'Y	1			Y05865	
071-1		188608-1	CRANKSHAFT ASSEMBLY	1	O	Y05865	Y06272	
071-2		135374-1	CRANKSHAFT ASSEMBLY	1	O	Y06272	B1040	
071-3		135539-5	CRANKSHAFT ASSEMBLY	1	O	B0140		
072		0440109970	OIL SEAL (S)	1			Y05865	
072-1		213148-1	OIL SEAL 10	1	O	Y05865	Y06368	
072-2		213769-9	OIL SEAL 10	1	O	Y06368	Y07538	
072-3		213148-1	OIL SEAL 10	1	O	Y07538		
073		5933002000	ROCKER ARM ASS'Y	2			Y05865	
073-1		125554-7	ROCKER ARM ASSEMBLY	2	O	Y05865		
074		5923500700	PUSH ROD	2			Y05865	
074-1		256865-0	ROD 2.5	2	O	Y05865		
075		5923501300	SPRING RETAINER	2			Y05865	
075-1		325668-4	SPRING RETAINER	2	O	Y05865		
076		5923501200	VALVE SPRING	2			Y05865	
076-1		234108-0	COMPRESSION SPRING 9	2	O	Y05865		
077		5933500100	ROCKER SHAFT	1			Y05865	
077-1		256200-2	PIN 5	1	O	Y05865		
078		5923501500	INTAKE VALVE	1			Y05865	
078-1		325670-7	INTAKE VALVE	1	O	Y05865	A2770	

Interchange
O : Yes
X : No
< : the new part can be substituted for the current.
> : the current part can be substituted for the new.
S : Interchangeable as a set.

VN	VIETNAM
-----------	----------------

BHX2500 / BLOWER

Item	Sub	Parts No.	Parts Description	Qty	I/C	E/C No.	Close No.	Remark
078-2		326367-1	INTAKE VALVE	1	O	A2770		
079		5923501400	EXHAUST VALVE	1			Y05865	
079-1		325669-2	EXHAUST VALVE	1	O	Y05865	A2770	
079-2		326366-3	EXHAUST VALVE	1	O	A2770		
080		5921501400	SPACER	2			Y05865	
080-1		424200-2	SPACER	2	O	Y05865		
081		5933003000	CAM GEAR ASS'Y	1			Y05865	
081-1		125552-1	CAM GEAR ASSEMBLY	1	O	Y05865		
082		5923500501	CAM GEAR SHAFT	1			Y05865	
082-1		268238-5	PIN 5	1	O	Y05865		
083		5923500600	CAM LIFTER SHAFT	1			Y05865	
083-1		268239-3	PIN 4	1	O	Y05865		
084		5923500001	CAM LIFTER	2			Y05865	
084-1		313169-4	CAM LIFTER	2	O	Y05865		
085		5925001002	STARTER COVER ASS'Y	1			Y05865	
	D10		INC.86-93				Y05865	
085-1		125917-7	STARTER COVER ASSY	1	O	Y05865		
	D10		INC.86-93			Y05865		
086		5195500000	PULLEY	1			Y05865	
086-1		168483-1	PULLEY	1	O	Y05865		
087		5195002060	SET SCREW	1			Y05865	
087-1		266585-8	TAPPING SCREW 5X12	1	O	Y05865		
088		5195002100	SWING ARM	1			Y05865	
088-1		325923-4	SWING ARM	1	O	Y05865		
089		5195002110	COLLAR	1			Y05865	
089-1		451938-6	COLLAR	1	O	Y05865		
090		5925001030	REEL	1			Y05865	
090-1		451937-8	REEL	1	O	Y05865		
091		5215002030	SPIRAL SPRING	1			Y05865	
091-1		232258-5	SPIRAL SPRING	1	O	Y05865		
092		5225004020	HANDLE	1			Y05865	
092-1		424319-7	STARTER KNOB	1	O	Y05865		
093		5925001050	STARTER ROPE	1			Y05865	
093-1		444019-3	STARTER ROPE	1	O	Y05865		
094		6659503300	MODEL LABEL	1			Y05865	
094-1		893304-5	MAKITA LOGO LABEL	1	O	Y05865	Y07538	
094-2		802C76-9	MAKITA LOGO LABEL	1	<	Y07538		
095		0140049770	SCREW ASSY M4X16(W,SW)	2			Y05865	
095-1		911128-8	P.H.SCREW M4X16 WITH WR	2	O	Y05865	B2420	
095-2		911526-6	P.H.SCREW M4X16 WITH WRM	2	<	B2420		
096		5923501801	INSULATOR GASKET	1			Y05396	
096-1		5923504700	INSULATOR GASKET	1	S	Y05396	Y05865	
096-2		413120-5	INSULATOR GASKET	1	O	Y05865		
097		5923013000	INSULATOR COMPL	1			Y05396	
097-1		5923018000	INSULATOR ASSY	1	S	Y05396	Y05865	
097-2		125916-9	INSULATOR ASSY	1	O	Y05865		
098		0149069972	ADJUST SCREW	1			91221	
098-1		325934-9	ADJUST SCREW	1	O	91221		
099		0043605180	SCREW ASS'Y M5X18	2			Y05396	
099-1		0119059870	SOCKET HEAD BOLT M5X18	2	O	Y05396	Y05865	
099-2		922228-9	H.S.H.BOLT M5X18 WITH WR	2	O	Y05865		
100		5923501900	CARBURETOR GASKET	1			Y05865	
100-1		413138-6	CARBURETOR GASKET	1	O	Y05865		
101		0043605140	SCREW ASS'Y M5X14	1			Y05396	
101-1		0119059780	SOCKET HEAD BOLT M5X12	1	O	Y05396	Y05865	
101-2		922213-2	H.S.H.BOLT M5X12 WITH WR	1	O	Y05865		
102		5926022000	CARBURETOR	1			Y05523	
	D10		INC.103,105-119				Y05523	
102-1		5926022001	CARBURETOR	1	<	Y05523	Y05865	
	D10		INC.103,105-119			Y05523	Y05865	
102-2		168641-9	CARBURETOR	1	O	Y05865		
	D10		INC.103,105-119			Y05865		
103		5926002060	PUMP BODY ASS'Y	1			Y05523	
	D10		INC.104				Y05523	
103-1		5936025010	BODY ASSEMBLY-PUMP	1	<	Y05523	Y05865	

Interchange
O : Yes
X : No
< : the new part can be substituted for the current.
> : the current part can be substituted for the new.
S : Interchangeable as a set.

VN	VIETNAM
-----------	----------------

BHX2500 / BLOWER

Item	Sub	Parts No.	Parts Description	Qty	I/C	E/C No.	Close No.	Remark
	D10		INC.104			Y05523	Y05865	
103-2		140808-1	BODY PUMP ASSY	1	O	Y05865		
	D10		INC.104			Y05865		
104		5016004010	INLET SCREEN	1			Y05865	
104-1		352010-6	INLET SCREEN	1	O	Y05865	Y07179	
104-2		WJ00014070	INLET SCREEN	1	O	Y07179		
105		5236046040	METERING DIAPHRAGM GASKET	1			Y05865	
105-1		442154-1	METERING DIAPHRAGM GASKET	1	O	Y05865		
106		5926008010	METERING DIAPHRAGM ASS'Y	1			Y05523	
106-1		5266009010	METERING DIAPHRAGM ASSY	1	<	Y05523	Y05865	
106-2		168620-7	METERING DIAPHRAGM	1	O	Y05865		
107		5236046140	AIR PURGE BODY ASS'Y	1			Y05865	
107-1		140438-8	AIR PURGE BODY	1	O	Y05865		
108		5246001150	PRIMER PUMP	1			Y05865	
108-1		424314-7	PRIMER PUMP	1	O	Y05865		
109		5236046050	PRIMER PUMP COVER	1			Y05865	
109-1		346270-0	PRIMER PUMP COVER	1	O	Y05865		
110		5236046010	PUMP COVER SCREW	4			Y05865	
110-1		266582-4	TAPPING SCREW 3X24	4	O	Y05865		
111		5206008030	PAN HEAD SCREW	2			Y05865	
111-1		266581-6	PAN HEAD SCREW M3X8 WITH W	2	O	Y05865	Y06995	
111-2		WJ00096364	SCREW M3X8 WITH WASHER	2	O	Y06995		
112		5236018040	SWIVEL	1			Y05865	
112-1		325922-6	SWIVEL	1	O	Y05865		
113		5426005030	WASHER	1			Y05865	
113-1		413140-9	WASHER	1	O	Y05865		
114		5316005120	RING	1			Y05865	
114-1		257964-1	STOP RING E-3	1	O	Y05865		
115		5926002020	PUMP SPRING	1			Y05865	
115-1		234183-6	CONICAL COMPRESSION SPRING 5-9	1	O	Y05865		
116		5246001010	O RING	1			Y05865	
116-1		213538-8	O RING 2	1	O	Y05865		
117		5196002020	JET	1			Y05523	
117-1		5256065010	JET	1	<	Y05523	Y05865	
117-2		326027-5	JET	1	O	Y05865		
118		5926002040	PUMP GASKET	1			Y05865	
118-1		442155-9	PUMP GASKET	1	O	Y05865		
119		5246001040	PUMP DIAPHRAGM	1			Y05865	
119-1		168575-6	PUMP DIAPHRAGM	1	O	Y05865	Y07366	
119-2		WJ00009599	PUMP DIAPHRAGM	1	O	Y07366		
120		0561080010	HOSE CLAMP	1			Y05865	
120-1		345918-1	HOSE CLAMP	1	O	Y05865		
121		5921500900	BREATHER PIPE	1			Y05865	
121-1		422041-0	BREATHER PIPE	1	O	Y05865		
122		5933502100	PIPE	1			Y05865	
122-1		422070-3	PIPE	1	O	Y05865		
123		5933001000	CLEANER PLATE ASS'Y	1			Y05865	
	D10		124-132				Y05865	
123-1		125468-0	CLEANER PLATE ASSEMBLY	1	O	Y05865	B8647	
	D10		124-132			Y05865	B8647	
123-2		123845-0	CLEANER PLATE ASSEMBLY	1	O	B8647		
	D10		124-132			B8647		
124		5923502200	CHOKE LEVER	1			Y05865	
124-1		451925-5	CHOKE LEVER	1	O	Y05865	B8647	
124-2		457241-3	CHOKE LEVER	1	X	B8647		
125		0240159990	O RING P15	1			Y05865	
125-1		213540-1	O RING 15	1	O	Y05865	B8647	
125-2		213094-8	O RING 15	1	X	B8647		
126		5933005000	AIR CLEANER PLATE COMPLETE	1			Y05865	
126-1		140814-6	AIR CLEANER PLATE COMPLETE	1	O	Y05865	B8647	
126-2		455407-9	AIR CLEANER PLATE	1	X	B8647		
127		5923502400	CHECK VALVE (1)	1			Y05865	
127-1		424316-3	CHECK VALVE	1	O	Y05865	B8647	
127-2		424938-9	CHECK VALVE	1	X	B8647		
128		0240139970	O RING P14	1			Y05865	

Interchange
O : Yes
X : No
< : the new part can be substituted for the current.
> : the current part can be substituted for the new.
S : Interchangeable as a set.

VN	VIETNAM
-----------	----------------

BHX2500 / BLOWER

Item	Sub	Parts No.	Parts Description	Qty	I/C	E/C No.	Close No.	Remark
128-1		213539-6	O RING 14	1	O	Y05865	B8647	
128-2		213093-0	O RING 14	1	X	B8647		
129		5923502500	CHECK VALVE PLATE	1			Y05865	
129-1		451924-7	CHECK VALVE PLATE	1	O	Y05865	B8647	
129-2		457240-5	CHECK VALVE PLATE	1	X	B8647		
130		5316500701	CHECK VALVE	1			Y05865	
130-1		424315-5	CHECK VALVE	1	O	Y05865	B8647	
130-2		424937-1	CHECK VALVE	1	X	B8647		
131		5923503500	GASKET SEPARATOR	1			Y05865	
131-1		168577-2	SEPARATOR GASKET	1	O	Y05865	B8647	
131-2		161572-1	SEPARATOR GASKET	1	X	B8647		
132		5933501600	SEPARATOR PLATE	1			Y05865	
132-1		168576-4	SEPARATOR PLATE	1	O	Y05865	B8647	
132-2		161571-3	SEPARATOR PLATE	1	X	B8647		
133		5933500900	AIR CLEANER ELEMENT	1			Y05865	
133-1		443140-5	AIR CLEANER ELEMENT	1	O	Y05865		
134		5933501200	AIR CLEANER ELEMENT	1			Y05865	
134-1		443141-3	AIR CLEANER ELEMENT	1	O	Y05865		
135		5933500800	AIR CLEANER COVER	1			Y05865	
135-1		450561-4	AIR CLEANER COVER	1	O	Y05865		
136		0140059480	SCREW ASS'Y M5X14	1			Y05865	
136-1		266470-5	+PAN HEAD SCREW M5X14	1	O	Y05865	93896	
136-2		911218-7	PAN HEAD SCREW M5X14	1	O	93896	Y07538	
136-3		266809-2	P.H.SCREW M5X14 WITH WR	1	O	Y07538		
137		5923503100	SCREW M5X68 (W,SW SUS)	2			Y05865	
137-1		265188-5	+PAN HEAD SCREW M5X68	2	O	Y05865		
138		5923502600	PLATE	1			Y05865	
138-1		345919-9	PLATE	1	O	Y05865		
139		0213069990	GASKET	1			Y05865	
139-1		423376-2	GASKET	1	O	Y05865		
140		5923502301	CHOKE PLATE	1			Y05865	
140-1		450560-6	CHOKE PLATE	1	O	Y05865		
141		0119059520	SOCKET HEAD BOLT M5X40	2			Y05865	
141-1		266440-4	HEX SOCKET HEAD BOLT M5X40	2	O	Y05865		
142		5923014001	EXHAUST MUFFLER	1			Y05865	
	D10		INC.143				Y05865	
142-1		168643-5	MUFFLER,EXHAUST	1	O	Y05865	C7124	
	D10		INC.143			Y05865	C7124	
142-2		168643-5	MUFFLER,EXHAUST	1	O	C7124		
	D10		INC.143			C7124		
143		5923008011	SPARK ARRESTER	1			Y05865	
143-1		324980-9	SPARK ARRESTER	1	O	Y05865		
144		5923504300	MUFFLER GASKET	1			Y05865	
144-1		168593-4	MUFFLER GASKET	1	O	Y05865		
145		5927010000	WIER 1	1			Y05865	
145-1		638709-0	LEAD WIRE	1	O	Y05865	B1493	
145-2		632F44-4	LEAD UNIT	1	S	B1493		
146		5927011000	WIRE 2	1			Y05865	
146-1		638710-5	LEAD WIRE	1	O	Y05865	B1493	
146-2		632F45-2	LEAD UNIT	1	S	B1493		
147		5927500100	PLUG CAP	1			Y05865	
147-1		424105-6	PLUG CAP	1	O	Y05865		
148		0654009931	PLUG CAP SPRING	1			Y05865	
148-1		324891-8	PLUG CAP SPRING	1	O	Y05865		
149		5927012011	IGNITION COIL	1			Y05865	
149-1		168501-5	IGNITION COIL	1	O	Y05865	B1493	
149-2		168816-0	IGNITION COIL	1	S	B1493		
150		0043704200	SCREW ASS'Y M4X20	2			Y05610	
150-1		0119049970	SOCKET HEAD BOLT M4X20	2	O	Y05610	Y05865	
150-2		922138-0	H.S.H.BOLT M4X20 WITH WR	2	O	Y05865		
151		0130069940	BOLT ASSEMBLY M6X16(W,SW)	1			Y05865	
151-1		265577-4	HEX HEAD BOLT M6X16	1	O	Y05865		
152		5927500200	FLYWHEEL	1			Y05865	
152-1		318702-7	FLYWHEEL	1	O	Y05865	B1493	
152-2		319205-4	FLYWHEEL	1	O	B1493		

Interchange
O : Yes
X : No
< : the new part can be substituted for the current.
> : the current part can be substituted for the new.
S : Interchangeable as a set.

