



VN	VIETNAM
----	---------

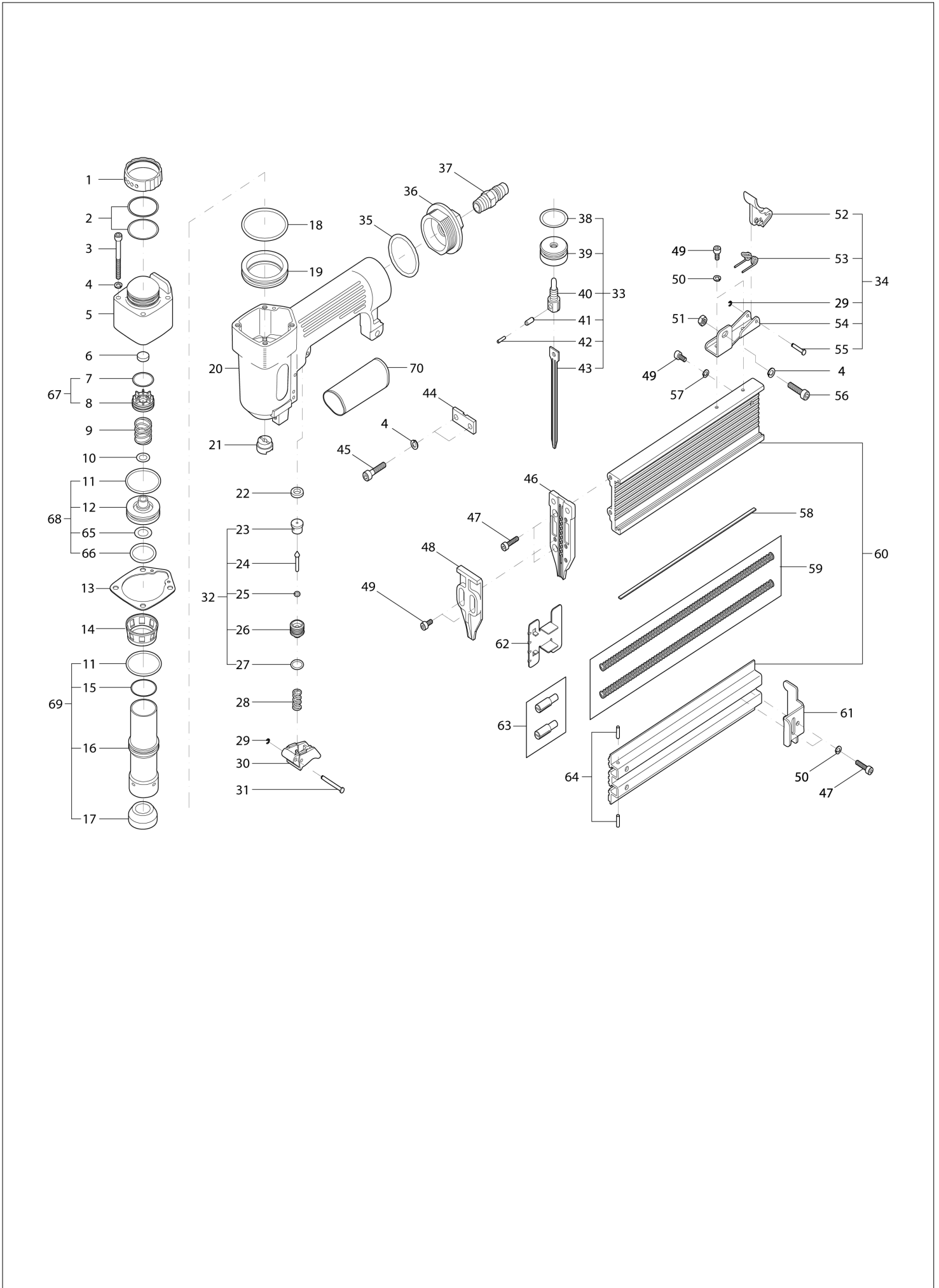
Diagram / Parts List

AF504Z

PNEUMATIC BRAD NAILER



(VN) AF504Z / PNEUMATIC BRAD NAILER



VN	VIETNAM
-----------	----------------

AF504Z / PNEUMATIC BRAD NAILER

Item	Sub	Parts No.	Parts Description	Qty	I/C	E/C No.	Close No.	Remark
001		A0304-0301	EXHAUST VALVE COLLAR	1				
002		A0200-1581	O-RING 35.5X1.8	2				
003		A0000-0341	SCREW M5X50	4				
004		A0005-0031	WASHER #5-1.1T	7				
005		A0301-0151	CYLL NDER CAP	1				
006		A0311-0121	AIR SEAL	1				
007		A0200-0241	O RING 22X1.5	1				
008		A0314-0141	EXHAUST VALVE SET	1				
009		A0100-0221	SPRING	1				
010		A0200-0231	O RING 9.8X2.4	1				
011		A0200-0071	O RING 31X2.5	2				
012		A0308-0241	FIRING VALVE PISTON	1				
013		A0205-0111	GASKET	1				
014		A0305-0071	COLLAR	1				
015		A0200-0301	O-RING 28X1.2	1				
016		A0303-0141	CYLLNDER	1				
017		A0309-0011	BUMPER	1				
018		A0200-0911	O RING 39.4X3.1	1				
019		A0800-0381	SPACER	1				
020		A0401-1161	BODY	1				
021		A0310-0241	NOZZLE	1				
022		A0505-0041	SEAL,AIR	1				
023		A0503-0211	TRIGGER VALVE HEAD "POM"	1				
024		A0504-0001	TRIGGER VALVE STEM	1				
025		A0200-0321	O-RING 3.8X1.5	1				
026		A0503-0041	TRIGGER VALVE GUIDE	1				
027		A0200-0331	O-RING 9.8X1.9	1				
028		A0100-0021	COMPRESSION SPRING	1				
029		A0005-0041	E-RING 2.5	2				
030		A0500-0191	TRIGGER	1				
031		A0006-0271	STEP PIN 2.9X29	1				
032		K0500-0291	TRIGGER VALVE SET	1				
033		K0600-1991	PISTON UNIT	1			Y07438	
034		B0700-0761	CLICK LEVER SET	1				
035		A0200-0131	O RING 35-3.5	1				
036		A0306-0231	TAIL COVER	1				
037		A0307-0001	AIR PLUG	1				
038		A0200-0721	O-RING 22.9X2.7	1				
039		A0602-0172	PISTON HEAD	1			Y07438	
039-1		K0600-1991	PISTON UNIT	1	<	Y07438		
	D10		INC. 38			Y07438		
040		A0601-0151	DRIVER GUIDE PIN	1			Y07438	
041		A0011-0051	OUTER SPRNG PN 4X10	1			Y07438	
042		A0011-0061	INNER SPRING PIN 2.5X10	1			Y07438	
043		A0600-2361	DRIVER BLADE	1			Y07438	
044		A0800-0911	SPACER	1				
045		A0000-0101	SCREW 5X22	2				
046		A0801-0511	DRIVER GUIDE	1				
047		A0000-0021	SCREW 4X16	4				
048		A0801-1331	DRIVER GUIDE COVER	1				
049		A0000-0011	SCREW 4X8	5				
050		A0005-0051	WASHER #4-0.9T	5				
051		A0004-0001	HEX. NUT M5	1				
052		A0709-0081	CLICK LEVER	1				
053		A0103-0061	SPRING	1				
054		A0706-0201	SPRING HOLDER	1				
055		A0006-0041	STEP PIN 5X16.7	1				
056		A0000-0091	SCREW 5X20	1				
057		A0204-0081	HANDLE GRIP	1				
058		A0708-0581	STEEL BAR	1				
059		A0100-0031	COMPRESSION SPRING	2				
060		B0700-5161	MAGAZINE ASS'Y	1				
061		A0716-0171	END STOPPER	1				
062		A0707-0451	PUSHER	1				
063		A0706-0691	SPRING HOLDER	2				

Interchange
O : Yes
X : No
< : the new part can be substituted for the current.
> : the current part can be substituted for the new.
S : Interchangeable as a set.

